



US00D634213S

(12) **United States Design Patent**
Thompson

(10) **Patent No.:** **US D634,213 S**
(45) **Date of Patent:** **** Mar. 15, 2011**

(54) **DISPENSER BOTTLE**
(75) Inventor: **Heidi Thompson**, Eagle, ID (US)
(73) Assignee: **Scentsy, Inc.**, Meridian, ID (US)
(**) Term: **14 Years**
(21) Appl. No.: **29/366,407**
(22) Filed: **Jul. 23, 2010**
(51) **LOC (9) Cl.** **09-01**
(52) **U.S. Cl.** **D9/691**
(58) **Field of Classification Search** D9/682-694,
D9/500-505, 434-455; 215/379, 382, 383,
215/384; 220/662, 665, 669, 674, 675; 222/129,
222/135, 153.01, 153.03, 153.04, 153.09,
222/153.11-153.14, 182, 631, 635, 209,
222/211-213, 215, 321.7-321.9, 372, 373,
222/378, 379, 383.1, 384-386, 398, 400.7,
222/400.8, 401, 402.1-402.25
See application file for complete search history.

D515,927 S * 2/2006 Smay et al. D9/503
D516,430 S * 3/2006 Ruiz D9/504
D596,950 S * 7/2009 Nevins et al. D9/690
D607,735 S * 1/2010 Kuzma et al. D9/539
7,666,826 B2 * 2/2010 Smith et al. 510/180
D615,874 S * 5/2010 Nagata D9/689

FOREIGN PATENT DOCUMENTS

CN 3046982 * 8/1996
WO D033899-001 * 10/1995
WO D054210-002 * 2/2001
WO D054210-003 * 2/2001

* cited by examiner

Primary Examiner — Catherine Tuttle

(74) *Attorney, Agent, or Firm* — TraskBritt

(57) **CLAIM**

The ornamental design for a dispenser bottle, as shown and described.

DESCRIPTION

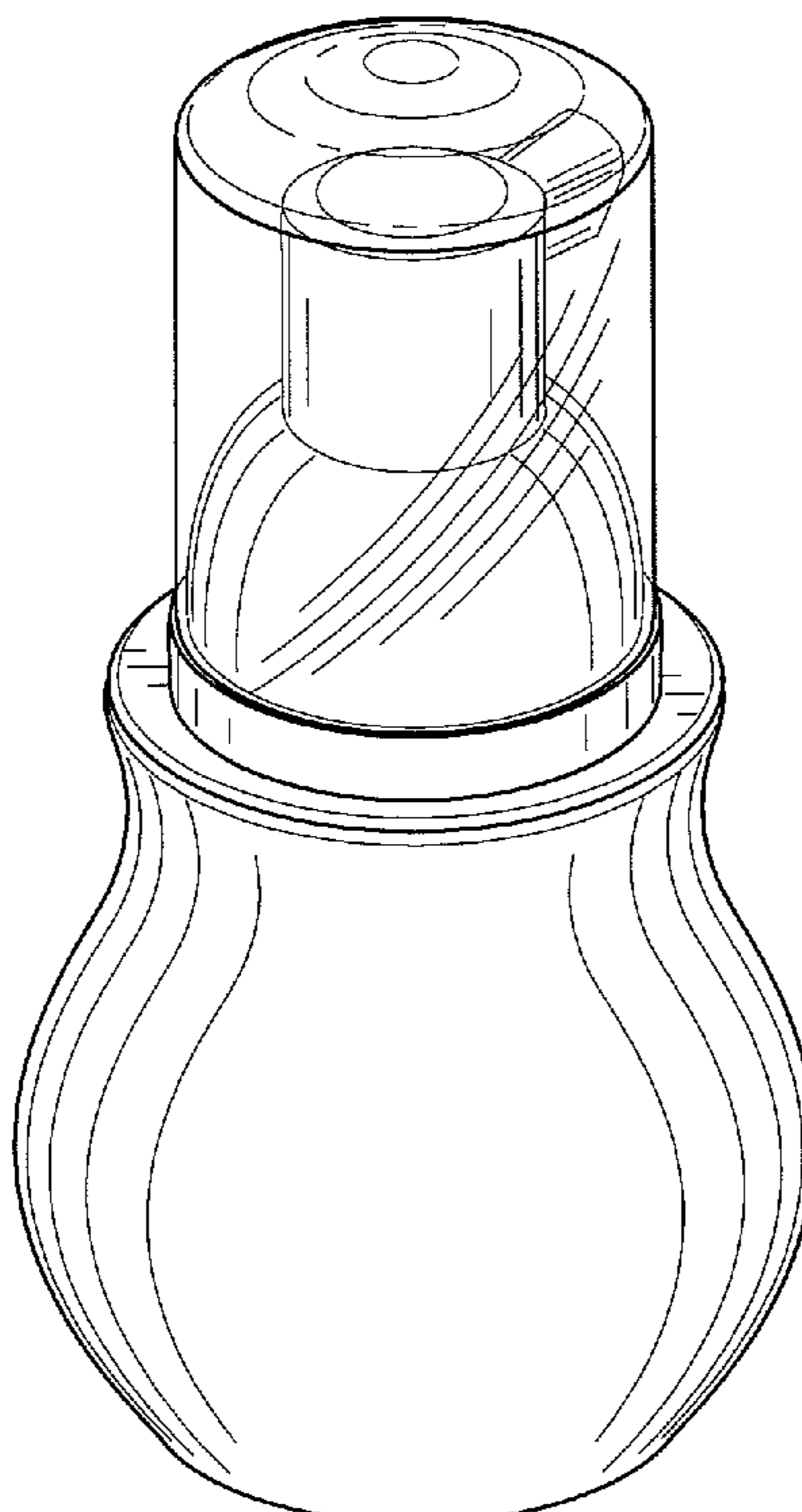
FIG. 1 is a perspective view of a dispenser bottle showing my new design;
FIG. 2 is a right side of the dispenser bottle shown in FIG. 1;
FIG. 3 is a left side view of the dispenser bottle shown in FIG. 1;
FIG. 4 is a front view of the dispenser bottle shown in FIG. 1;
FIG. 5 is a rear view of the dispenser bottle shown in FIG. 1;
FIG. 6 is a top view of the dispenser bottle shown in FIG. 1;
and,
FIG. 7 is a bottom view of the dispenser bottle shown in FIG. 1.

(56) **References Cited**

U.S. PATENT DOCUMENTS

2,596,097 A * 5/1952 Dunfrund 239/354
3,963,150 A * 6/1976 Steiman et al. 222/211
D365,020 S * 12/1995 Dinand D9/689
D452,653 S * 1/2002 Boshuizen et al. D9/448
D454,190 S * 3/2002 Trocola D23/366
D456,260 S * 4/2002 Boshuizen et al. D9/448
D482,571 S * 11/2003 Leinenweber D7/523
D484,794 S * 1/2004 Geardino et al. D9/726
D485,182 S * 1/2004 Gaydon D9/504

1 Claim, 3 Drawing Sheets



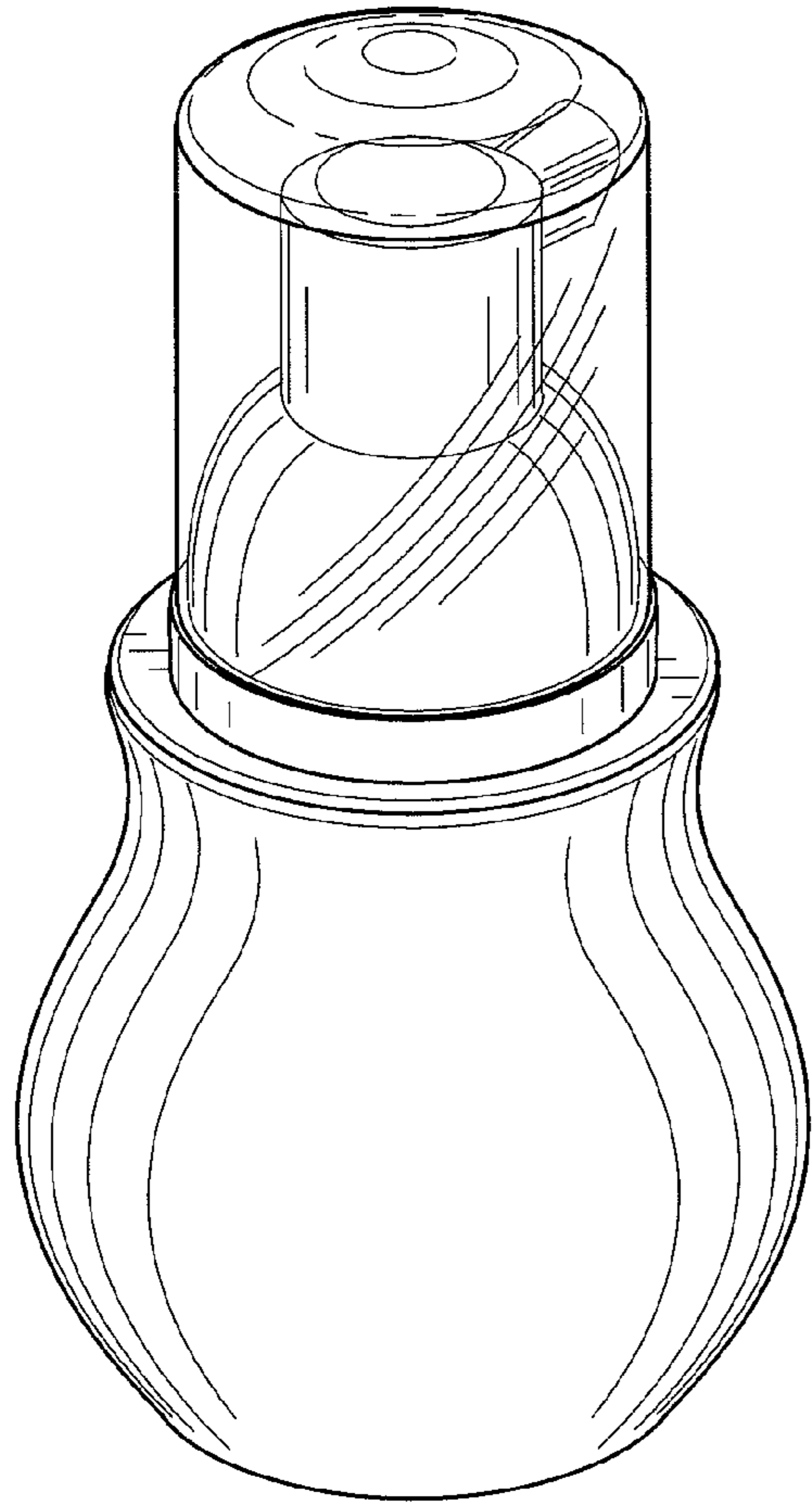


FIG. 1

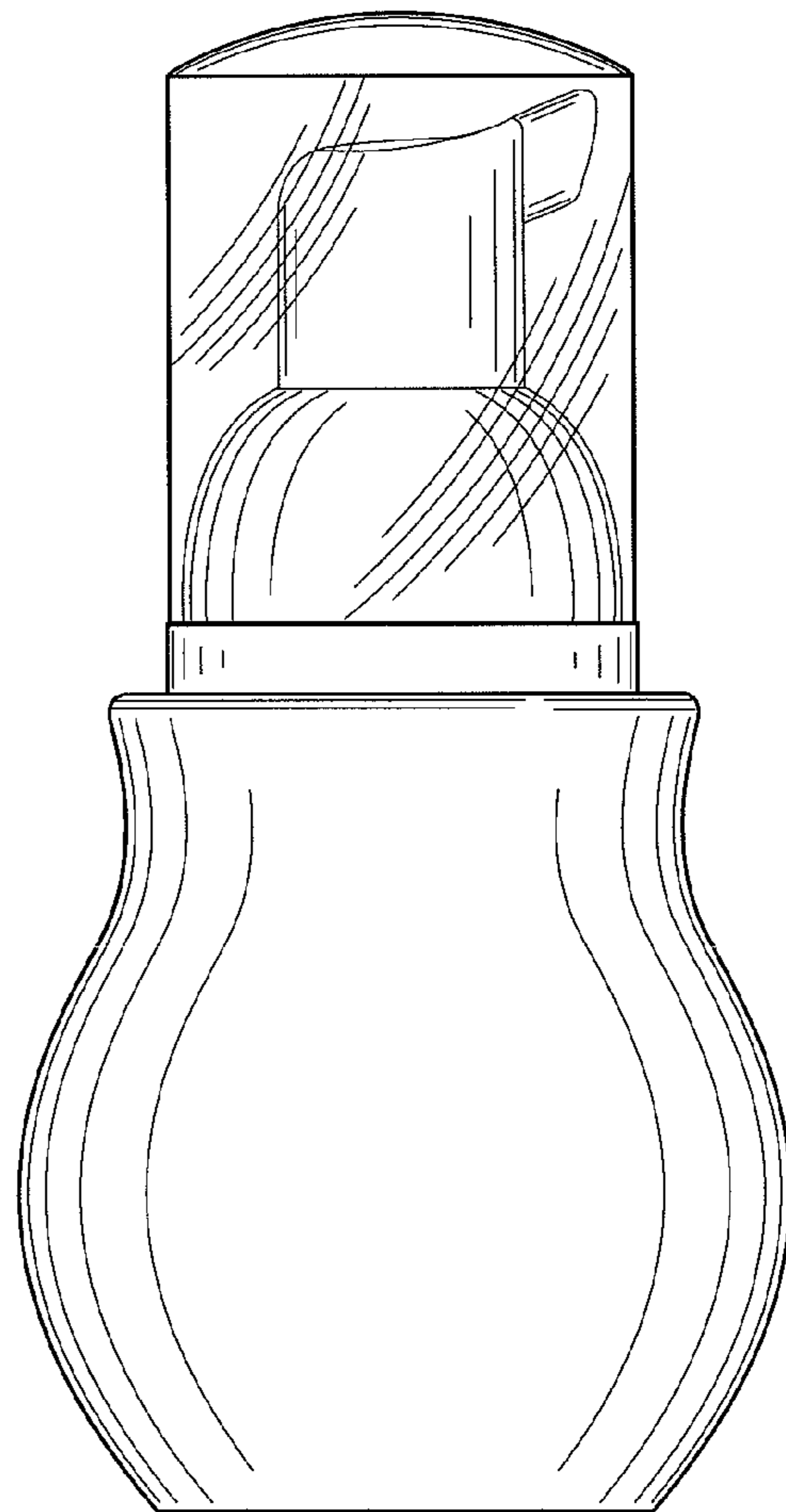


FIG. 2

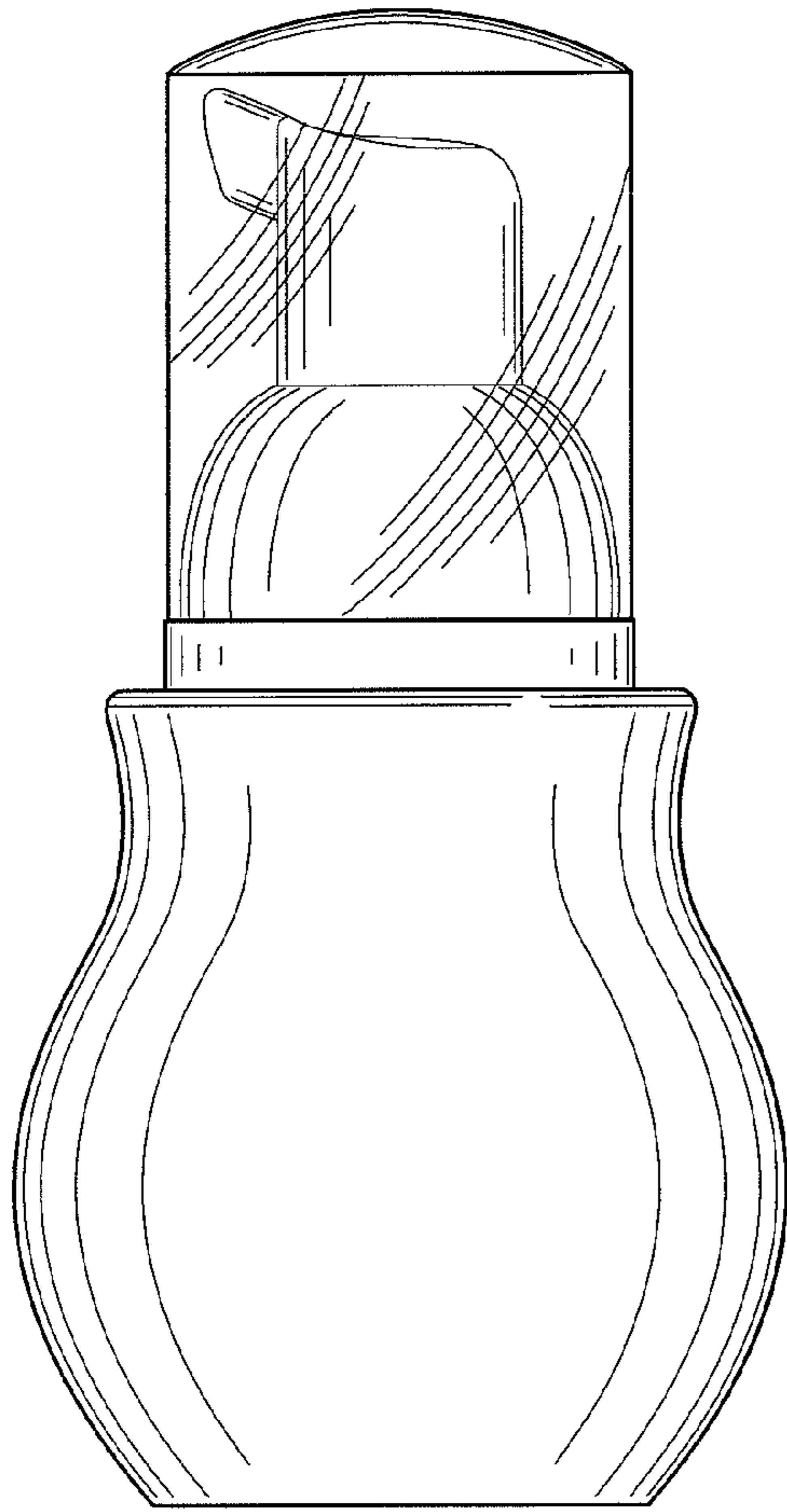


FIG. 3

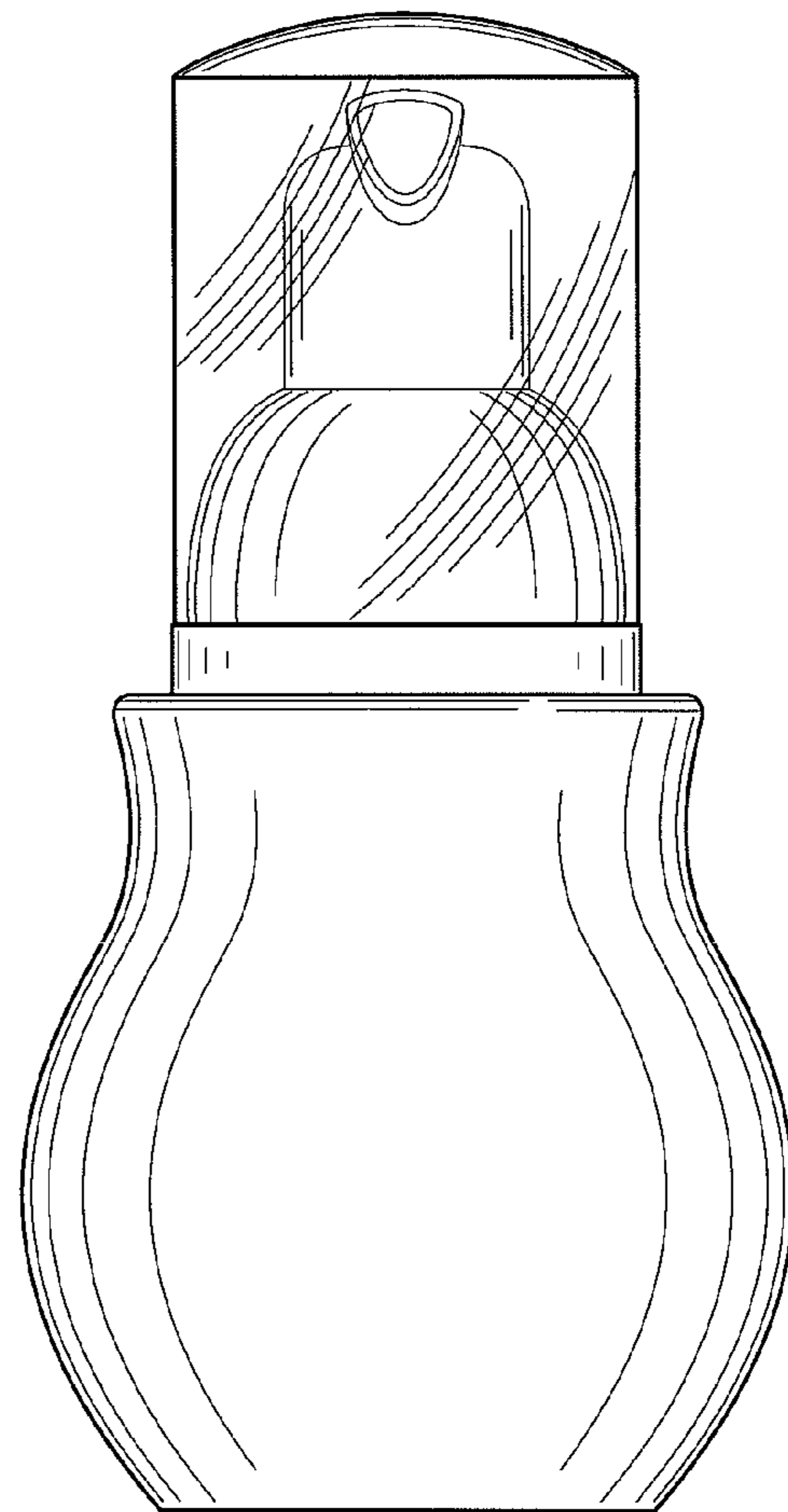


FIG. 4

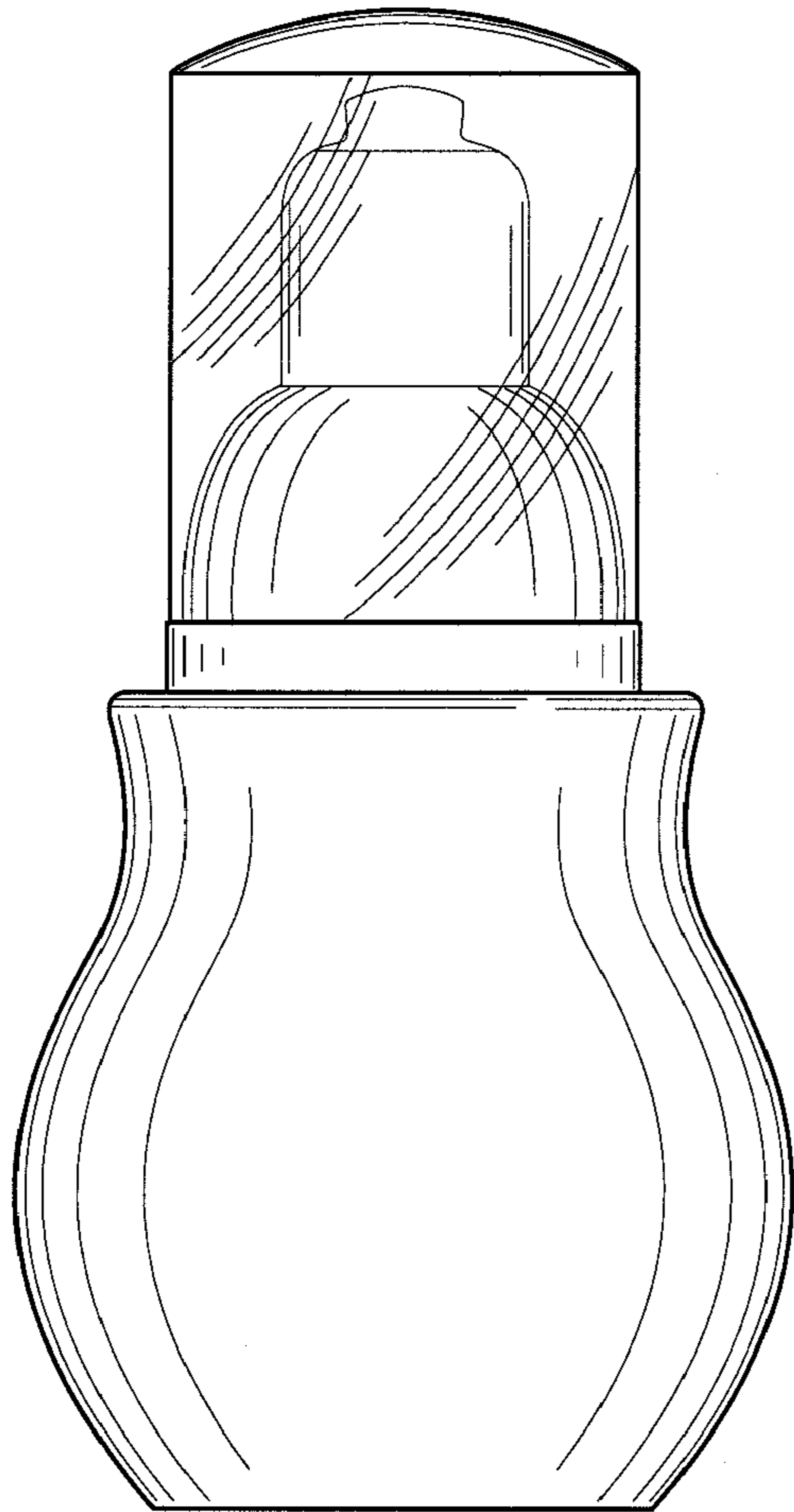


FIG. 5

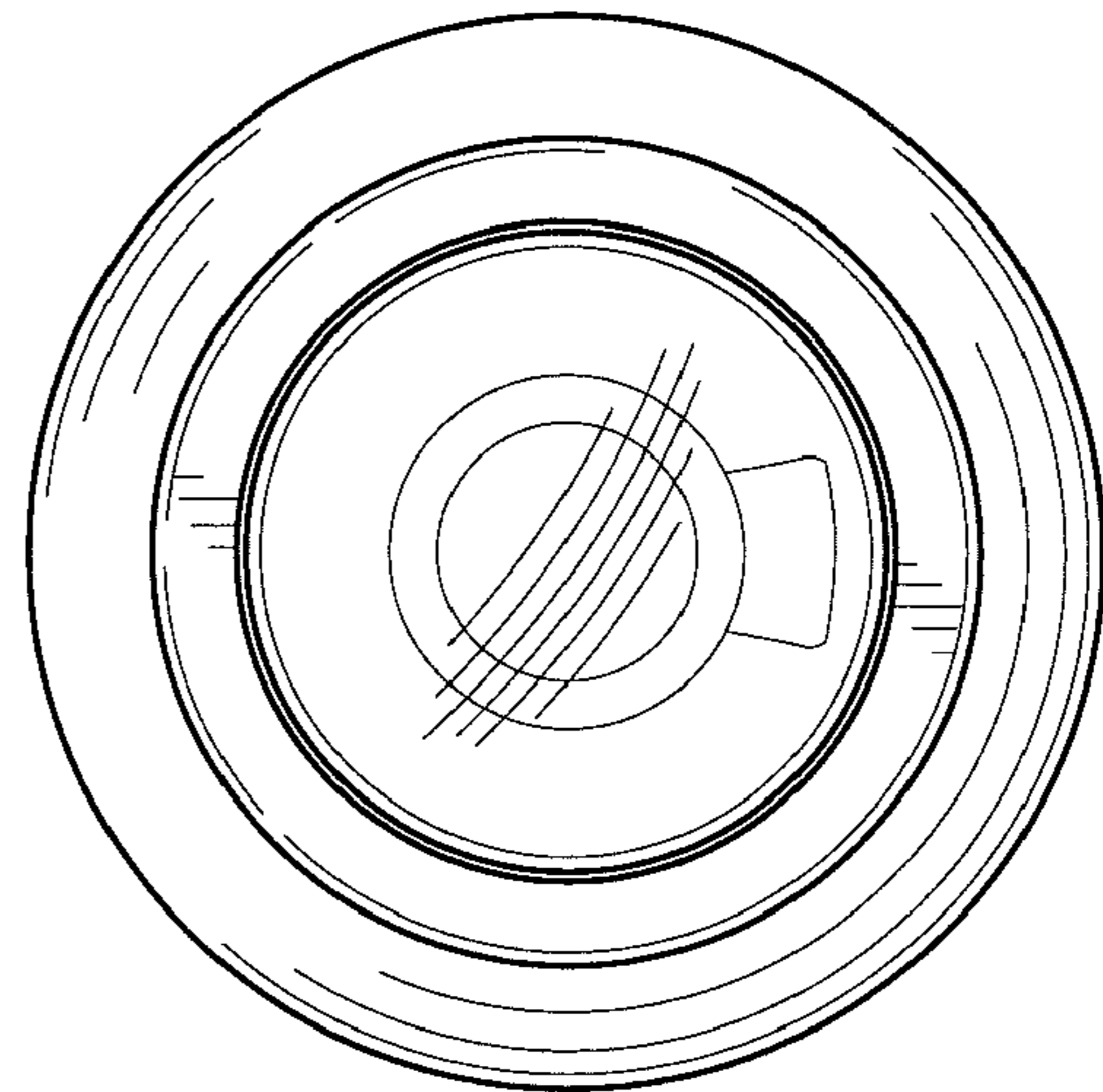


FIG. 6

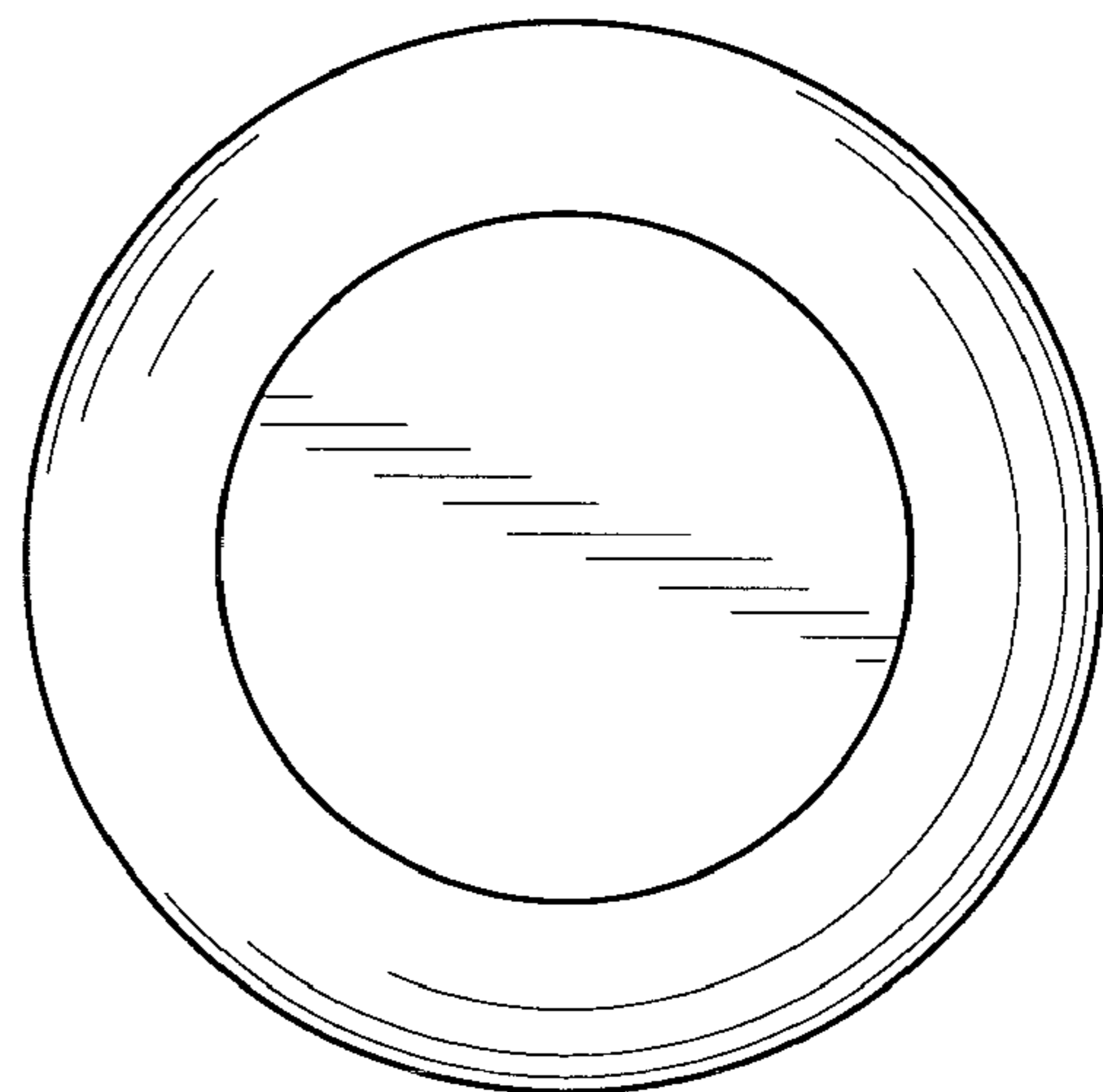


FIG. 7

UNITED STATES PATENT AND TRADEMARK OFFICE
CERTIFICATE OF CORRECTION

PATENT NO. : D634,213 S
APPLICATION NO. : 29/366407
DATED : March 15, 2011
INVENTOR(S) : Heidi Thompson

Page 1 of 1

It is certified that error appears in the above-identified patent and that said Letters Patent is hereby corrected as shown below:

In the specification:

DESCRIPTION

Page 1, Column 2, line 3 under heading “**DESCRIPTION**”
change “FIG. 2 is a right side of” to
--FIG. 2 is a right side view of--

Signed and Sealed this
Seventeenth Day of May, 2011



David J. Kappos
Director of the United States Patent and Trademark Office