



US00D634209S

(12) **United States Design Patent**
Myojin et al.

(10) **Patent No.:** **US D634,209 S**
(45) **Date of Patent:** **** Mar. 15, 2011**

(54) **CONTAINER FOR CHEMICAL DIFFUSER**

(75) Inventors: **Hiroyasu Myojin**, Tokyo (JP); **Aya Mikami**, Tokyo (JP); **Ryusuke Baba**, Tokyo (JP)

(73) Assignee: **S.T. Corporation**, Tokyo (JP)

(**) Term: **14 Years**

(21) Appl. No.: **29/347,320**

(22) Filed: **Dec. 3, 2009**

(30) **Foreign Application Priority Data**

Jun. 4, 2009 (JP) 2009-012661

(51) **LOC (9) Cl.** **09-01**

(52) **U.S. Cl.** **D9/564**; D9/565; D9/575; D9/453;
D9/454

(58) **Field of Classification Search** D9/516–517,
D9/522, 529, 551–552, 558, 564–565, 571,
D9/574–575; D23/366; 392/403; D4/114,
D4/116

See application file for complete search history.

(56) **References Cited**

U.S. PATENT DOCUMENTS

D386,974 S * 12/1997 Wefler D9/574 X
D399,429 S * 10/1998 Ramsey D9/552 X
6,104,867 A * 8/2000 Stathakis et al. 392/403
D439,319 S * 3/2001 Wolpert D23/363
D452,732 S * 1/2002 Basaganas D23/366
D453,110 S * 1/2002 Bulsink D9/522
D454,628 S * 3/2002 Basaganas D23/366
D476,237 S * 6/2003 Canepa D9/550 X
D478,512 S * 8/2003 Duston et al. D9/522
D479,804 S * 9/2003 Wolpert et al. D9/574
D480,316 S * 10/2003 Wolpert et al. D9/574
D492,021 S * 6/2004 Basaganas Millan D23/366
6,766,773 B2 * 7/2004 Wolpert et al. 392/403 X
D503,621 S * 4/2005 Heater D9/522
D505,330 S * 5/2005 Wolpert D9/522
D515,192 S * 2/2006 Smith et al. D23/366
D518,730 S * 4/2006 Caserta et al. D9/522

D536,980 S * 2/2007 Smith et al. D9/564 X
D541,160 S * 4/2007 Cortes D9/575 X
D542,662 S * 5/2007 Caserta et al. D9/522
D579,777 S * 11/2008 Weggelaar D9/575 X
D590,270 S * 4/2009 Friedman et al. D9/522 X
D604,619 S * 11/2009 Tebe Poves et al. D9/522
D618,550 S * 6/2010 De Haan D9/571 X
2005/0213948 A1 * 9/2005 Caserta et al. 392/403 X

FOREIGN PATENT DOCUMENTS

JP D-966700 10/1996
JP D-1004026 2/1998
JP D-1047294 8/1999
JP D-1186217 9/2003
JP D-1186995 10/2003
JP D-1203054 4/2004
JP D-1305677 7/2007
JP D-1249592 8/2008

* cited by examiner

Primary Examiner — Carol Rademaker

(74) *Attorney, Agent, or Firm* — Jean C. Edwards, Esq.;
Akerman Senterfitt

(57) **CLAIM**

The ornamental design for a container for chemical diffuser,
as shown and described.

DESCRIPTION

FIG. 1 is a perspective view of a container for chemical
diffuser showing our new design;

FIG. 2 is a front view thereof;

FIG. 3 is a rear view thereof;

FIG. 4 is a right side view thereof, the left side view being a
mirror image thereof;

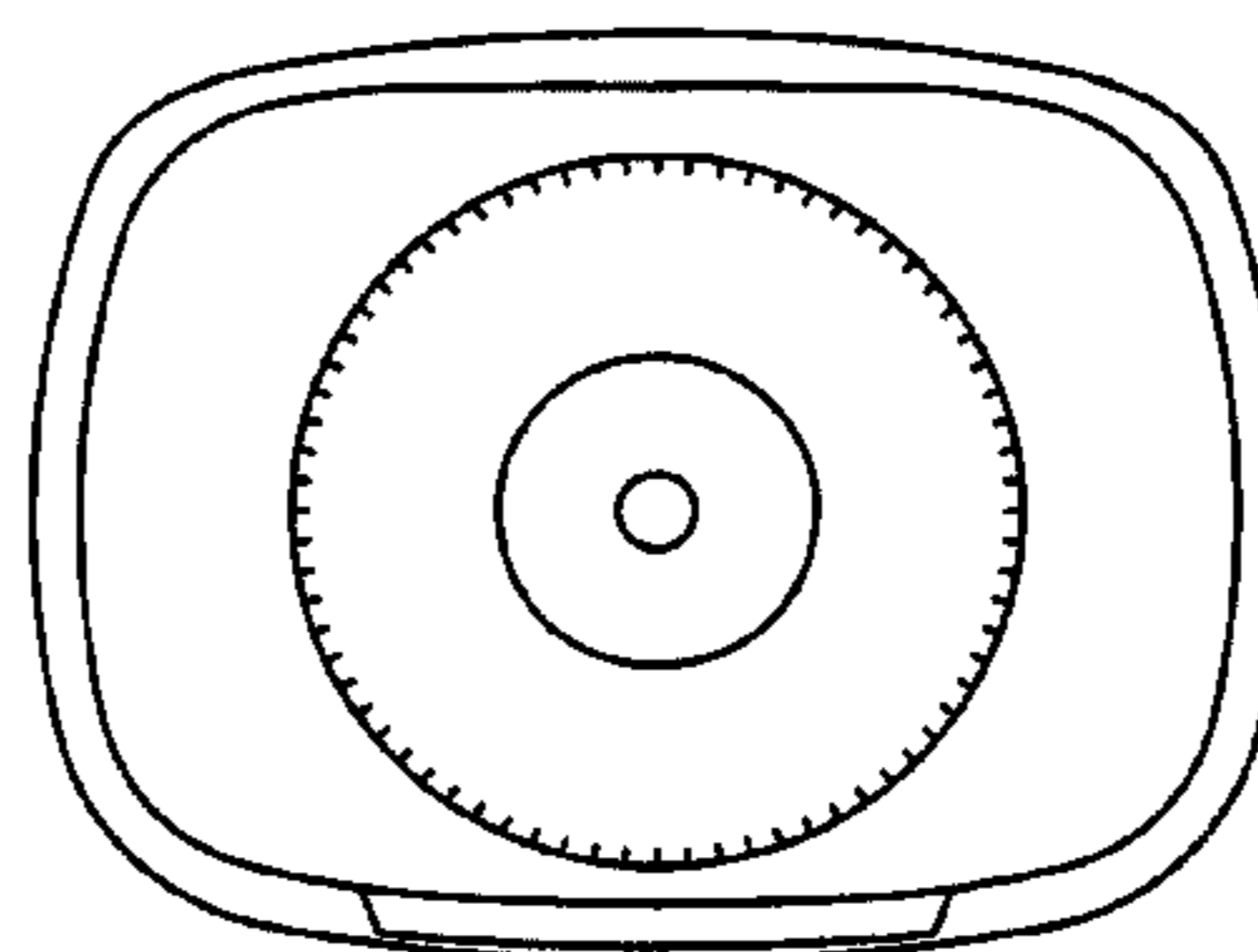
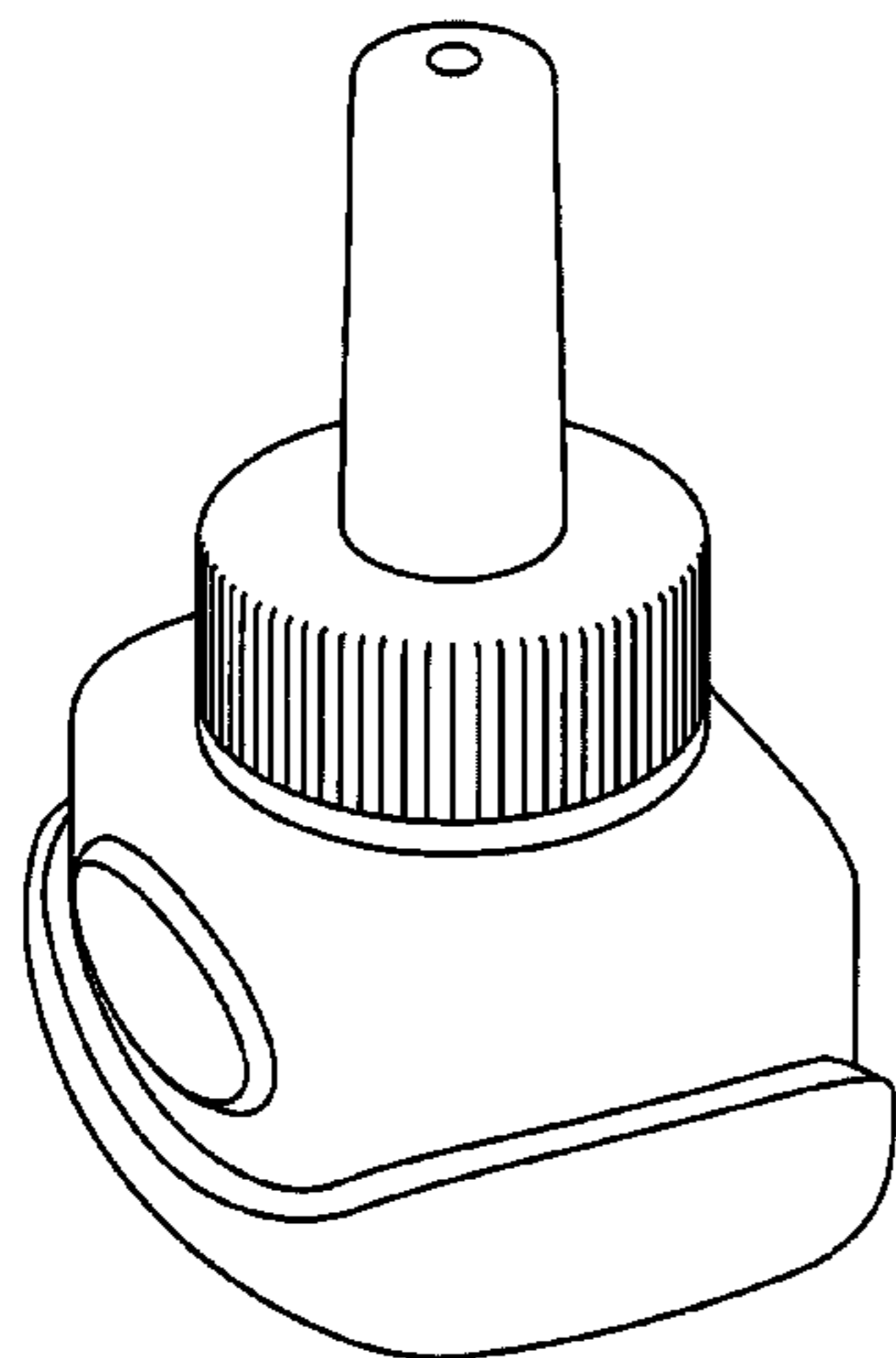
FIG. 5 is a top plan view thereof;

FIG. 6 is a bottom plan view thereof; and,

FIG. 7 is a perspective view of the container for chemical
diffuser, shown in use, with the unclaimed casing portion of
the chemical diffuser shown in broken lines.

The broken line showing of the casing portion of the chemical
diffuser is included for the purpose of showing environmental
structure that forms no part of the claimed design.

1 Claim, 7 Drawing Sheets



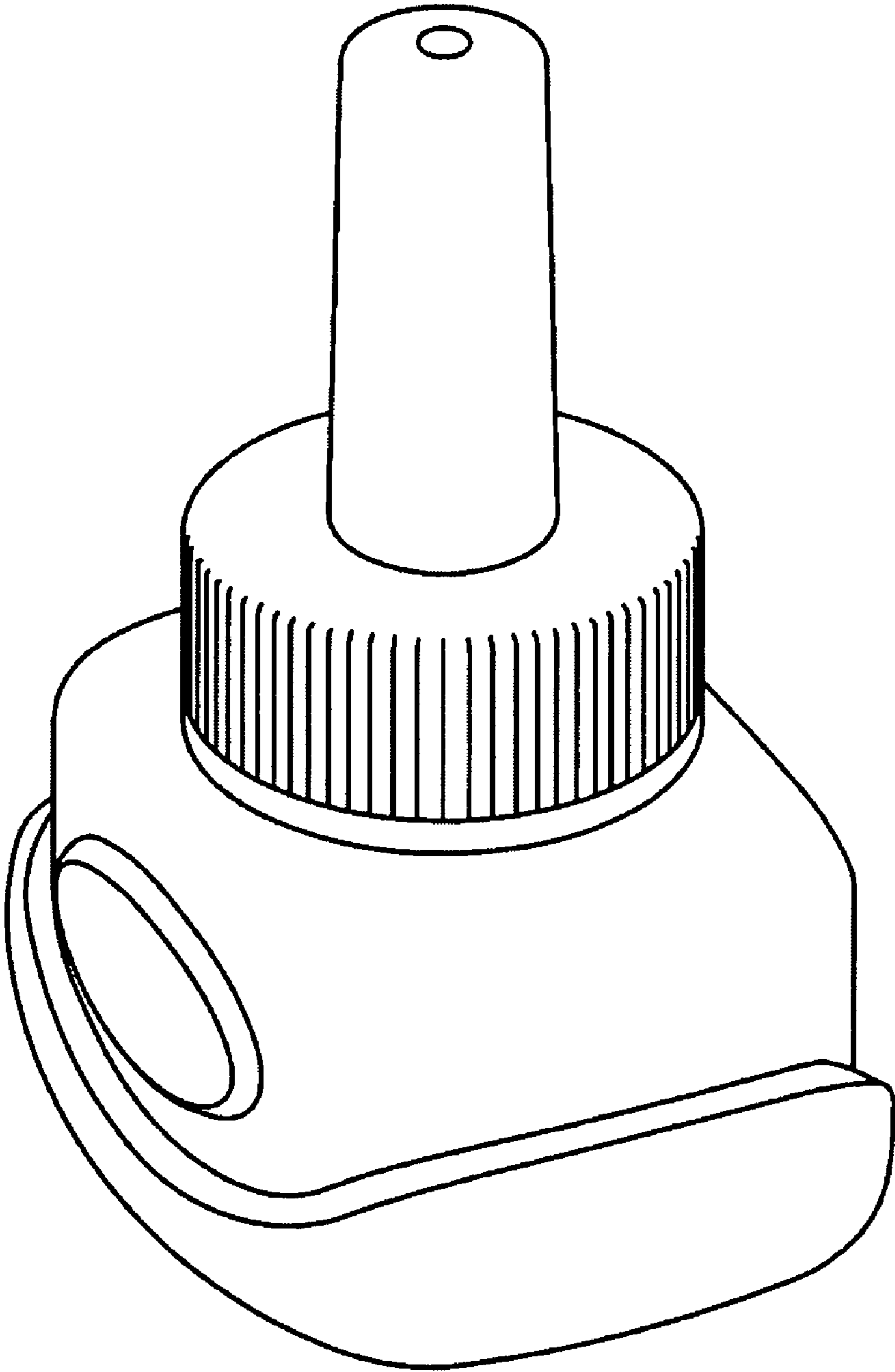


FIG. 1

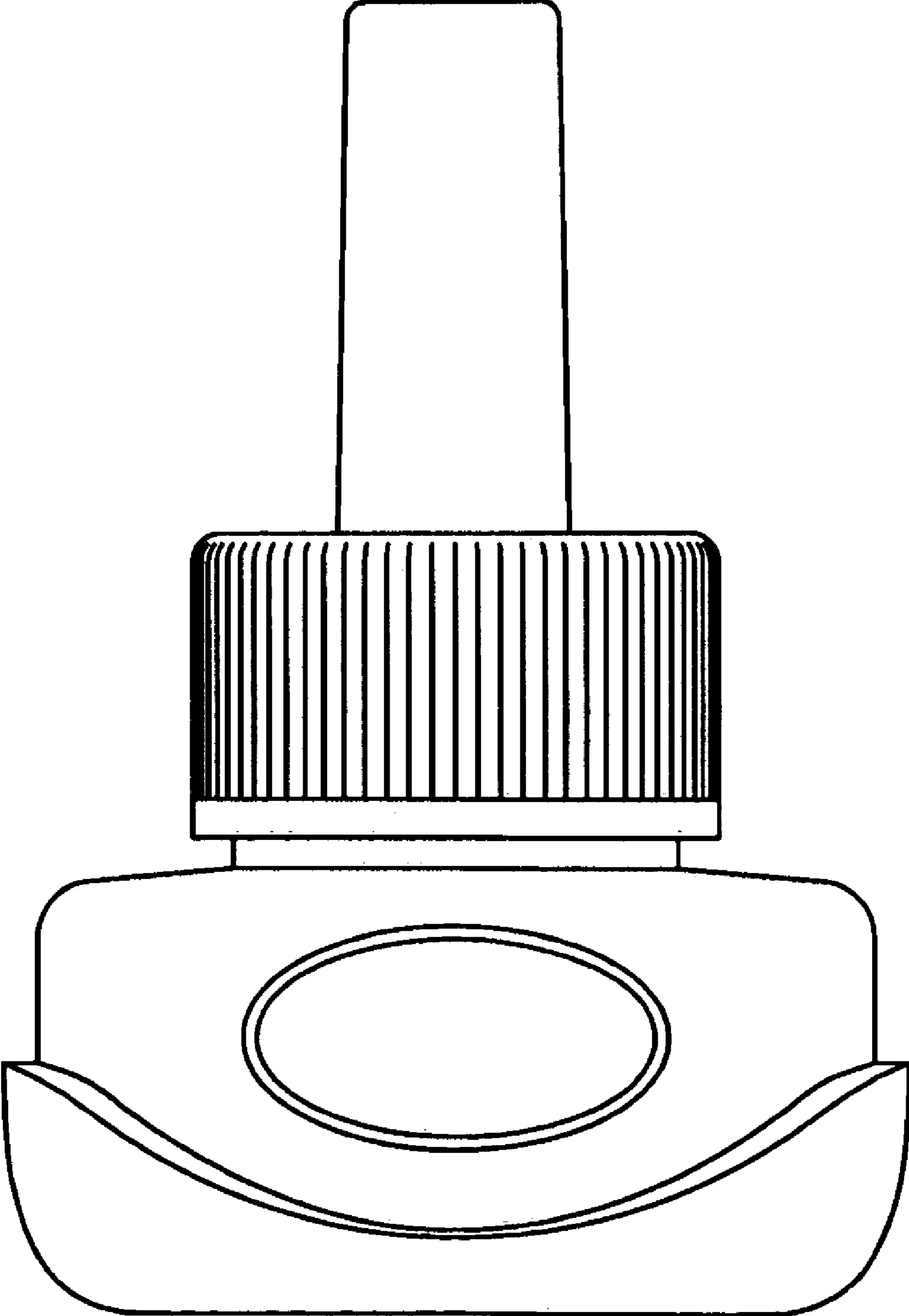


FIG. 2

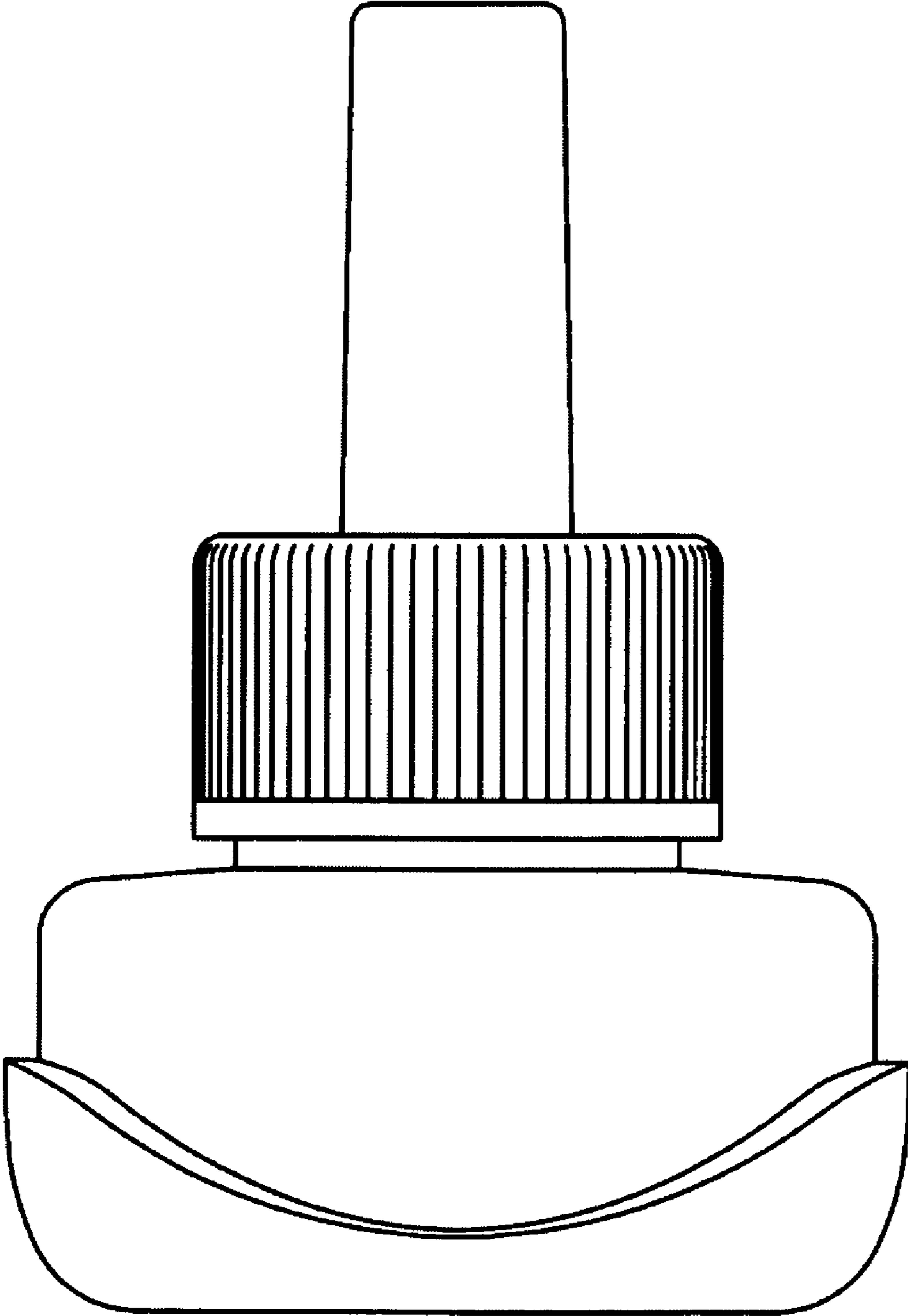


FIG. 3

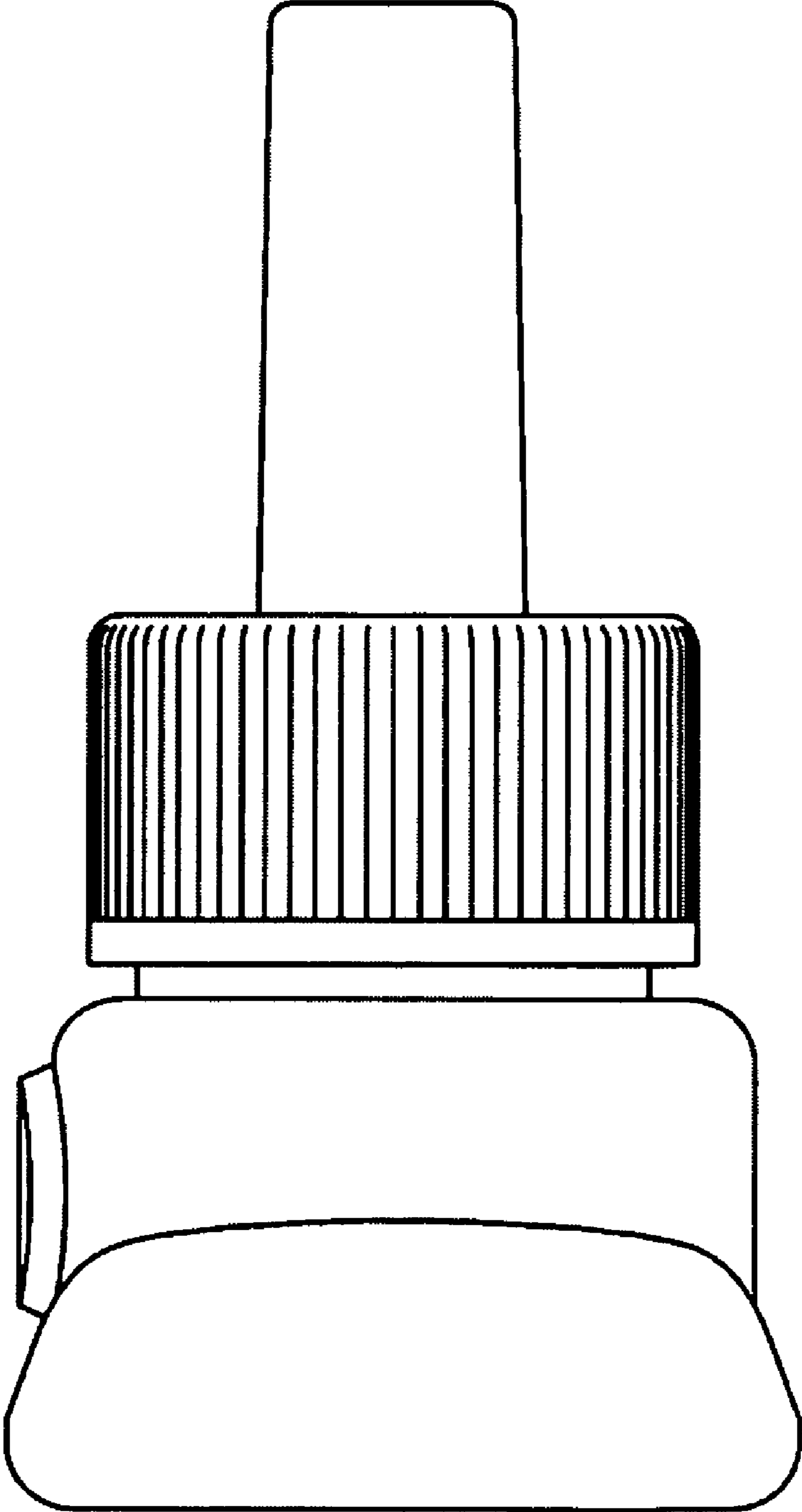


FIG. 4

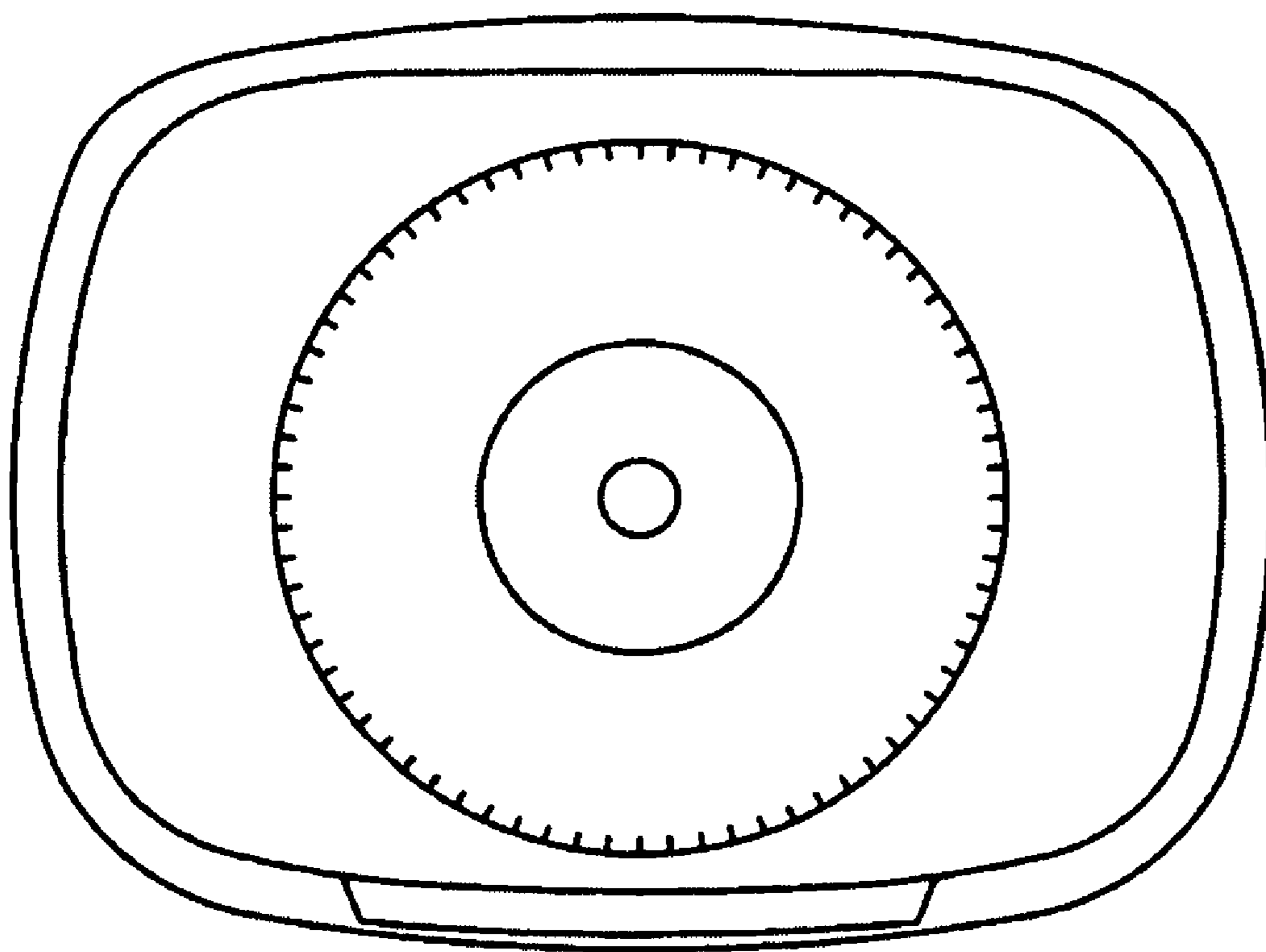


FIG. 5

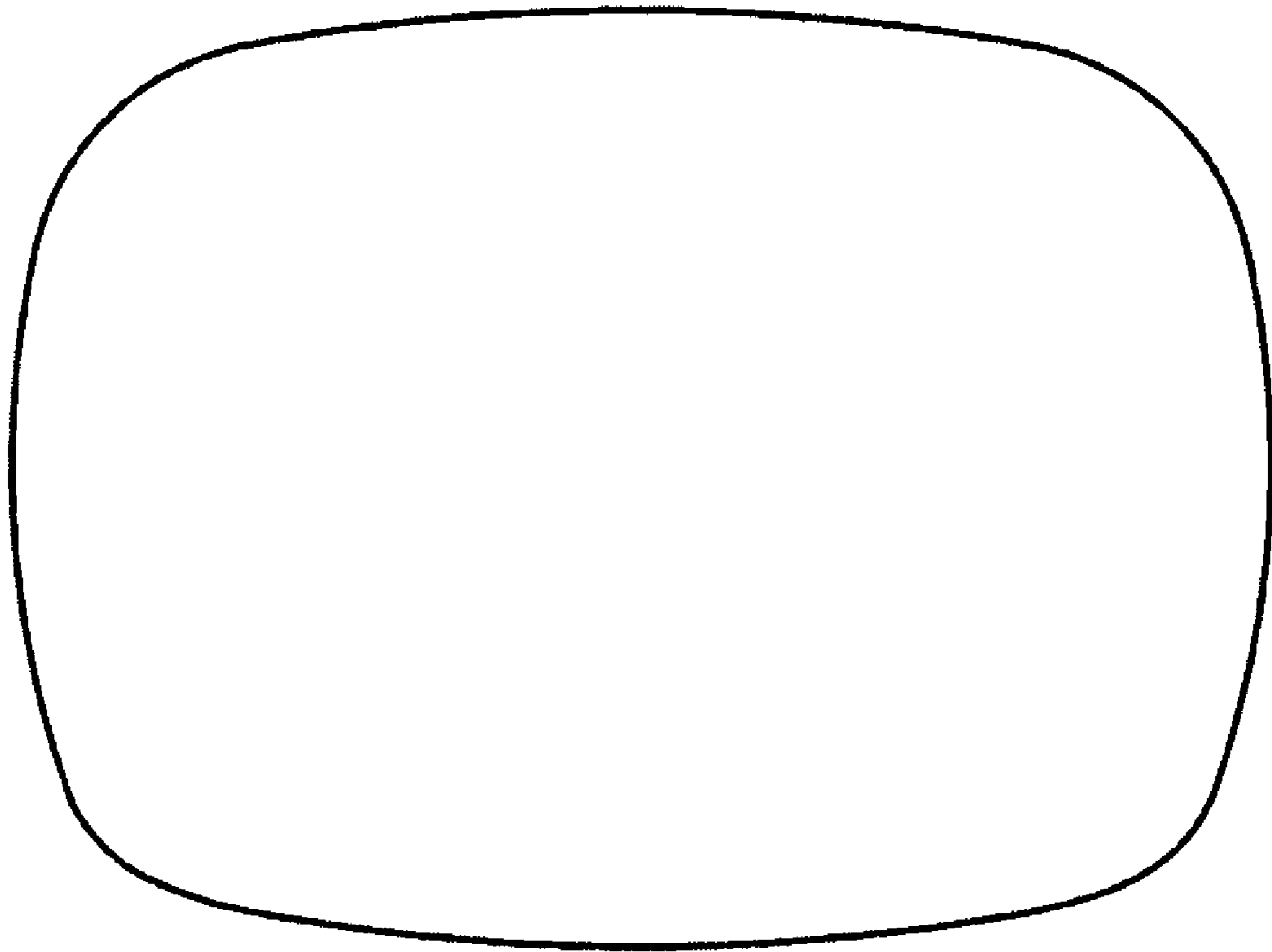


FIG. 6

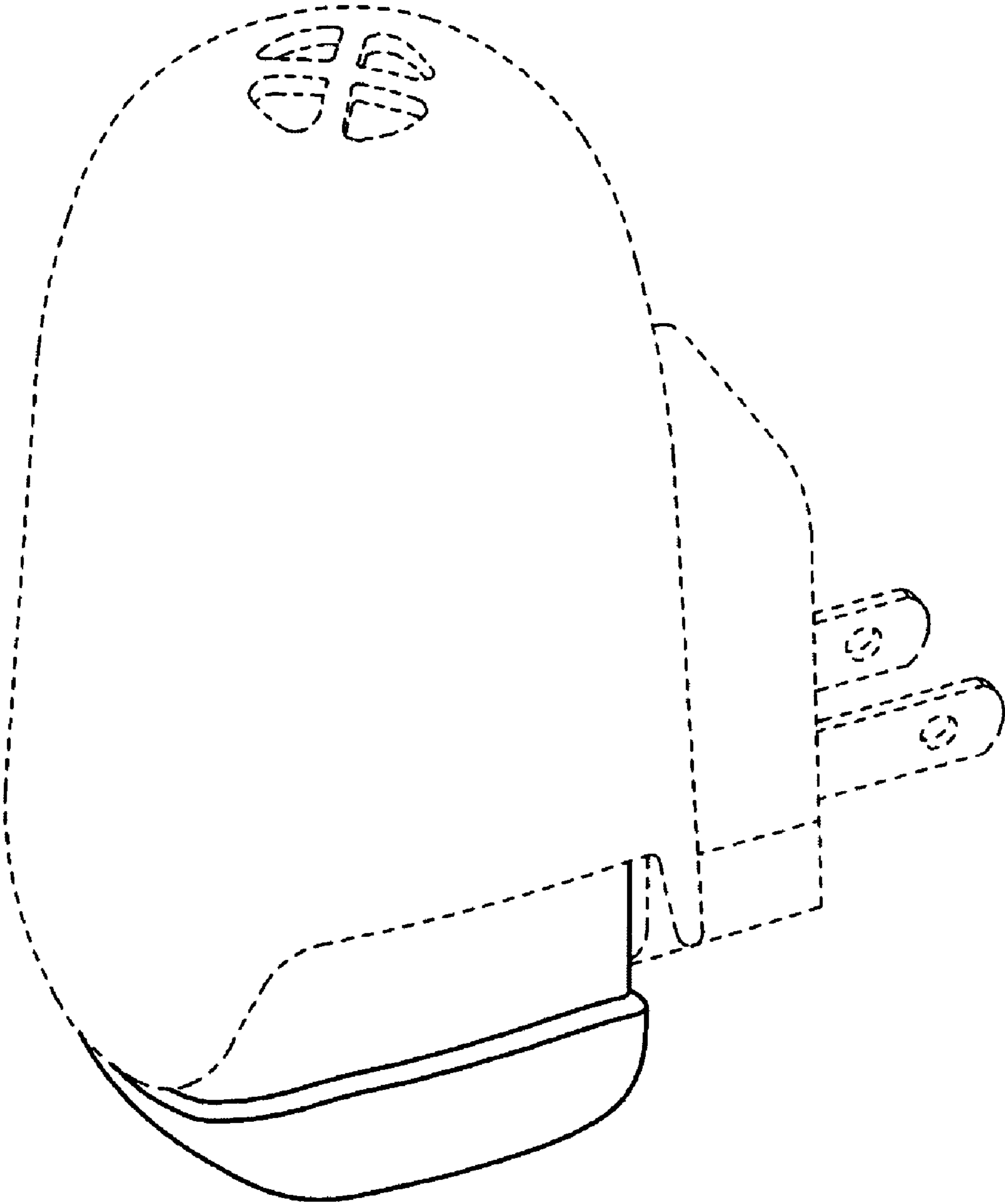


FIG. 7