



US00D634204S

(12) **United States Design Patent**
Llewellyn et al.

(10) **Patent No.:** **US D634,204 S**
(45) **Date of Patent:** **** Mar. 15, 2011**

(54) **SPRAY BOTTLE**

(75) Inventors: **Timothy James Llewellyn**, London (GB); **Dominic Peter Hale**, London (GB)

(73) Assignee: **Niconovum AB**, Helsingborg (SE)

(**) Term: **14 Years**

(21) Appl. No.: **29/346,364**

(22) Filed: **Oct. 30, 2009**

Related U.S. Application Data

(62) Division of application No. 29/337,302, filed on May 19, 2009, now Pat. No. Des. 608,218.

(30) **Foreign Application Priority Data**

Mar. 5, 2009 (EM) 001098578

(51) **LOC (9) Cl.** **09-01**

(52) **U.S. Cl.** **D9/523**

(58) **Field of Classification Search** D9/682-694, D9/516-575, 435, 436, 440, 447-450, 719, D9/723-729; D24/110, 110.4, 110.5, 112, D24/113, 117, 119; D28/7, 76, 77, 85-90, D28/91, 91.1; 215/288, 379-385; 220/376, 220/377, 602, 660, 669-675; 222/129, 135, 222/153.1, 153.03, 153.04, 153.09, 153.11-153.14, 222/182, 631, 635, 209, 211-213, 215, 321.7-321.9, 222/372, 373, 378, 379, 383.1, 384-386, 222/398, 400.7, 400.8, 401, 402.1-402.25
See application file for complete search history.

(56) **References Cited**

U.S. PATENT DOCUMENTS

3,148,806 A 9/1964 Meshberg
D205,910 S 10/1966 Northrup
3,828,962 A 8/1974 Atkins
D242,526 S 11/1976 Carre
4,234,127 A 11/1980 Tada et al.

D289,858 S 5/1987 Duval et al.
D322,560 S 12/1991 Waine
D341,772 S 11/1993 Rand et al.
D355,844 S 2/1995 Bishop et al.
D364,669 S 11/1995 Winner
D427,899 S 7/2000 Bougamont et al.
6,105,826 A 8/2000 Oursin et al.
6,109,547 A 8/2000 Ritsche
D445,690 S 7/2001 Ekkert
D451,377 S 12/2001 Johnson et al.
6,382,469 B1 5/2002 Carter et al.
D471,814 S 3/2003 Elliot et al.
D478,272 S 8/2003 Carter et al.
D518,369 S * 4/2006 Haber et al. D9/428
7,025,232 B2 4/2006 Green
D565,952 S * 4/2008 Mettler et al. D9/504

FOREIGN PATENT DOCUMENTS

GB D2040858 12/1994
GB D2074156 8/1998

* cited by examiner

Primary Examiner—Catherine Tuttle

(74) *Attorney, Agent, or Firm*—Womble Carlyle Sandridge & Rice, PLLC

(57) **CLAIM**

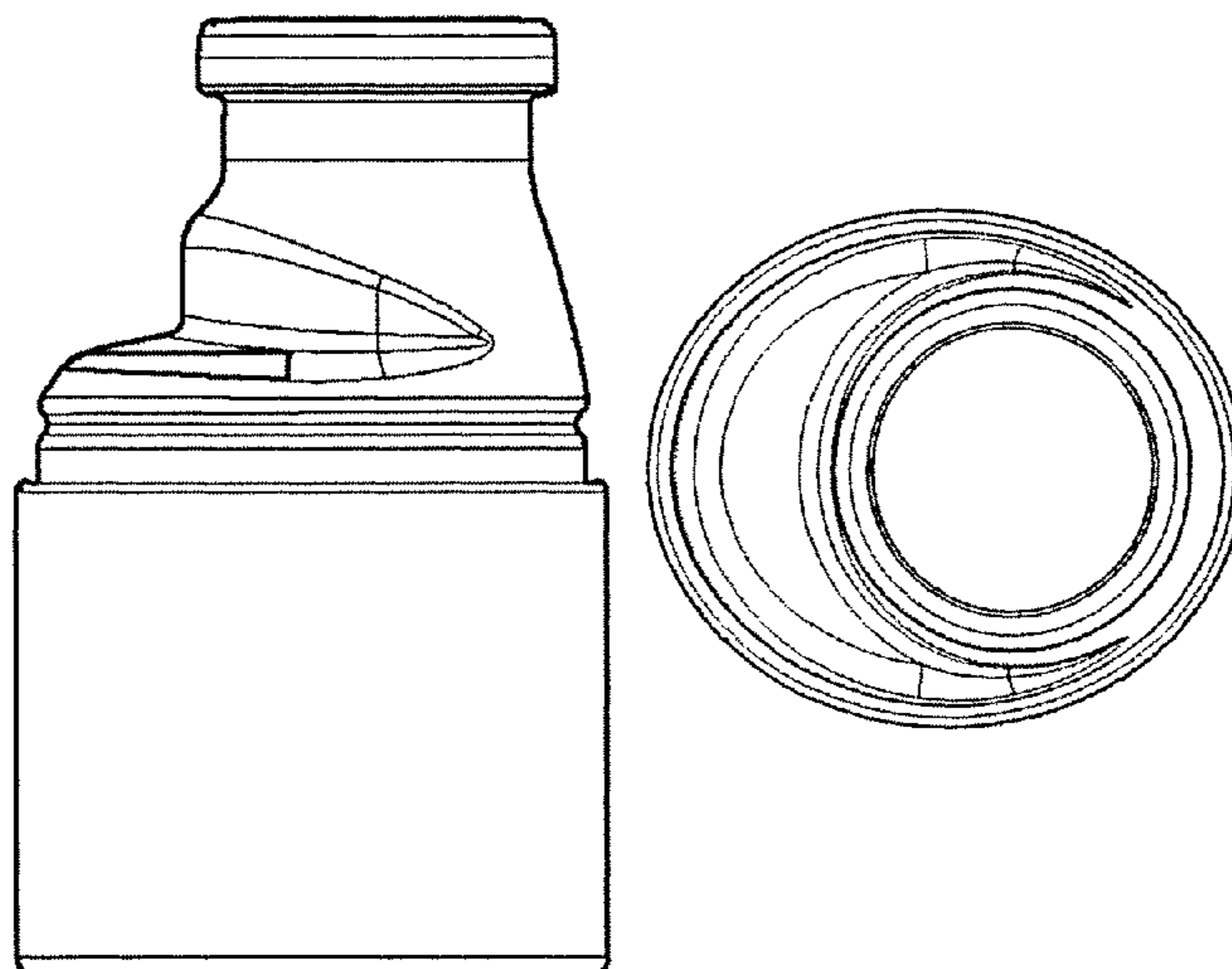
The ornamental design for a spray bottle, as shown and described.

DESCRIPTION

FIG. 1 is a front view of a spray bottle showing our design;
FIG. 2 is a left side view thereof;
FIG. 3 is a right side view thereof;
FIG. 4 is a top view thereof; and,
FIG. 5 is a bottom view thereof.

The configuration within the area defined by the innermost outline of each of the top and bottom ends forms no part of the claimed design.

1 Claim, 2 Drawing Sheets



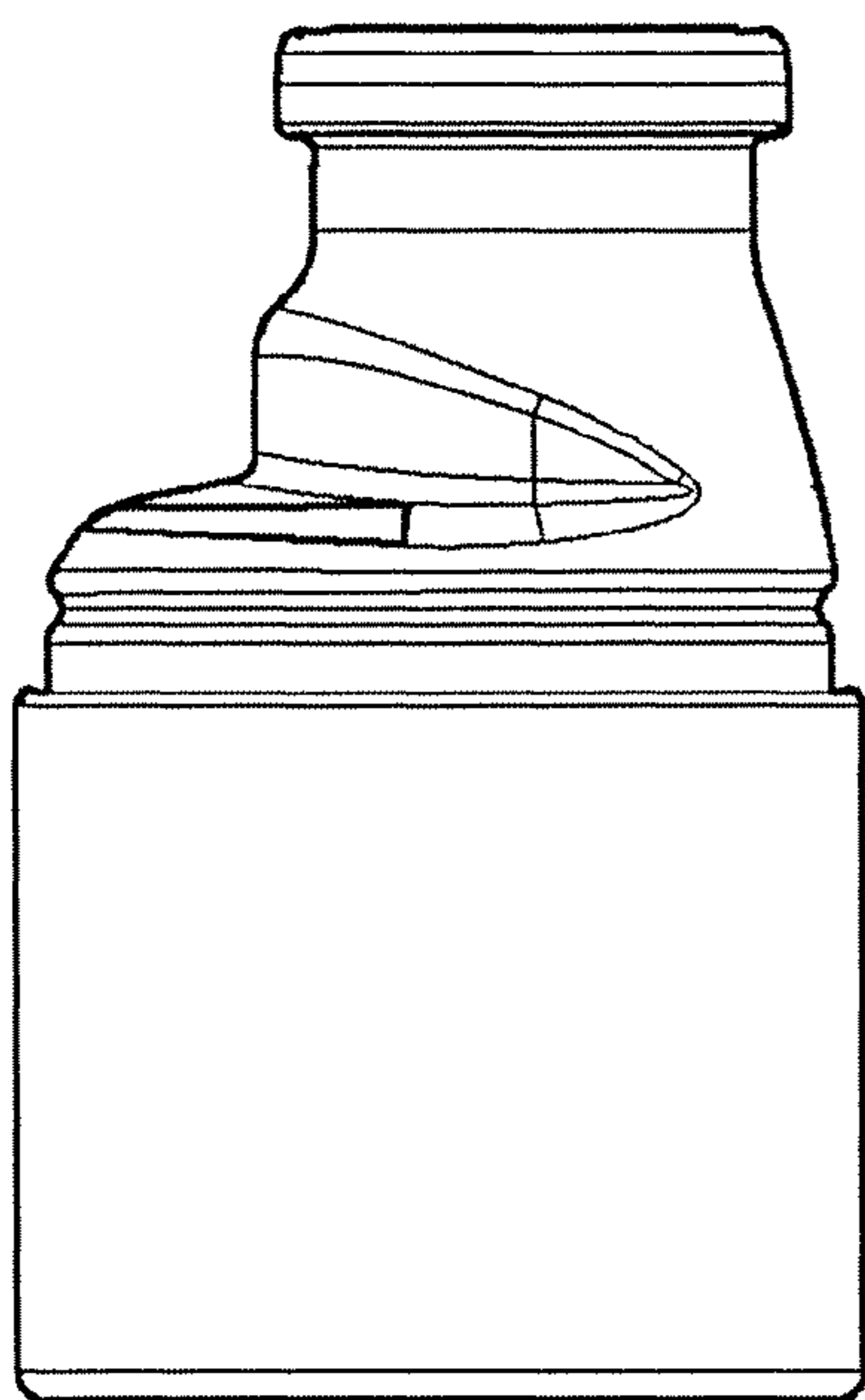


FIG. 1

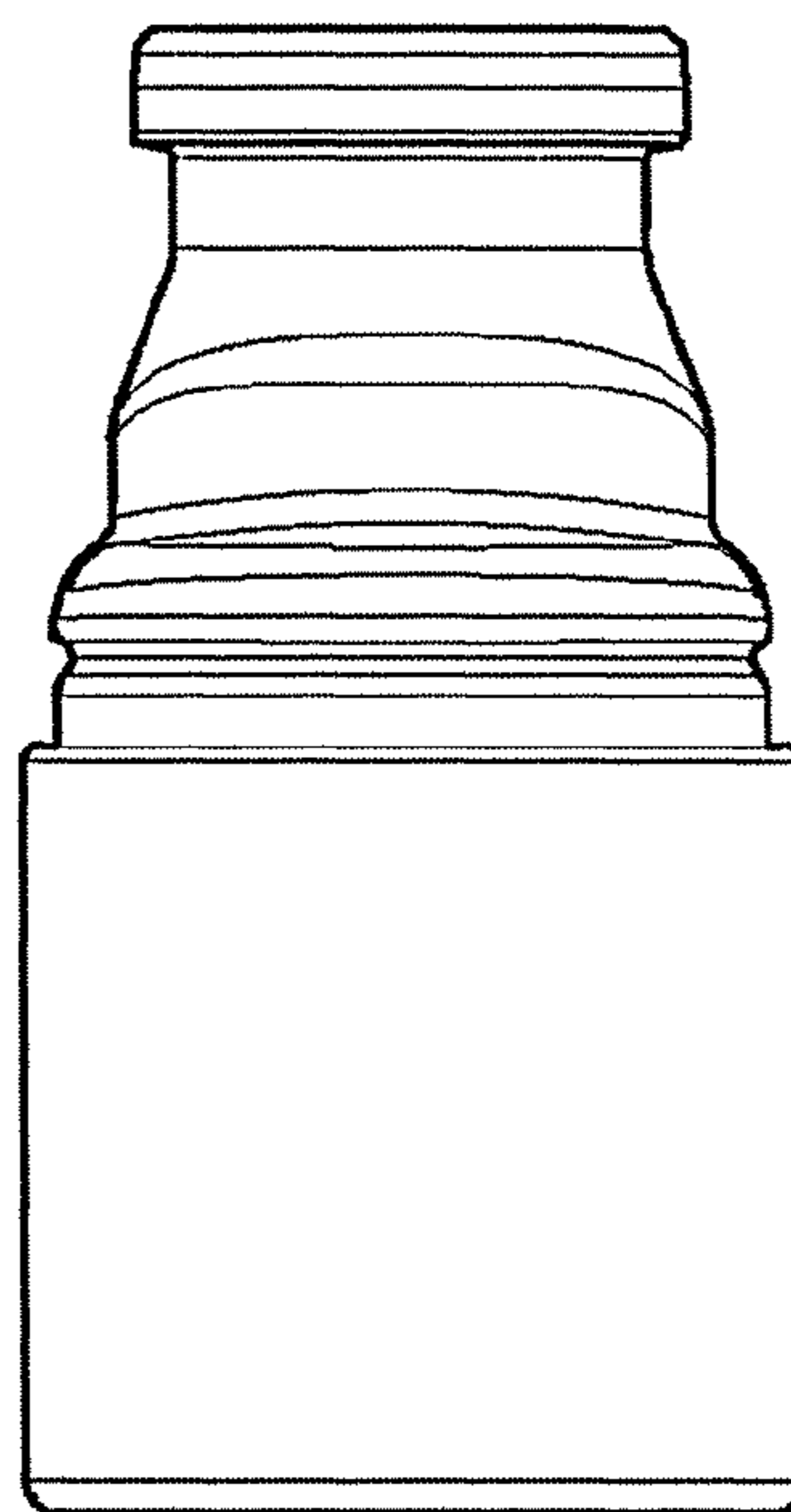


FIG. 2

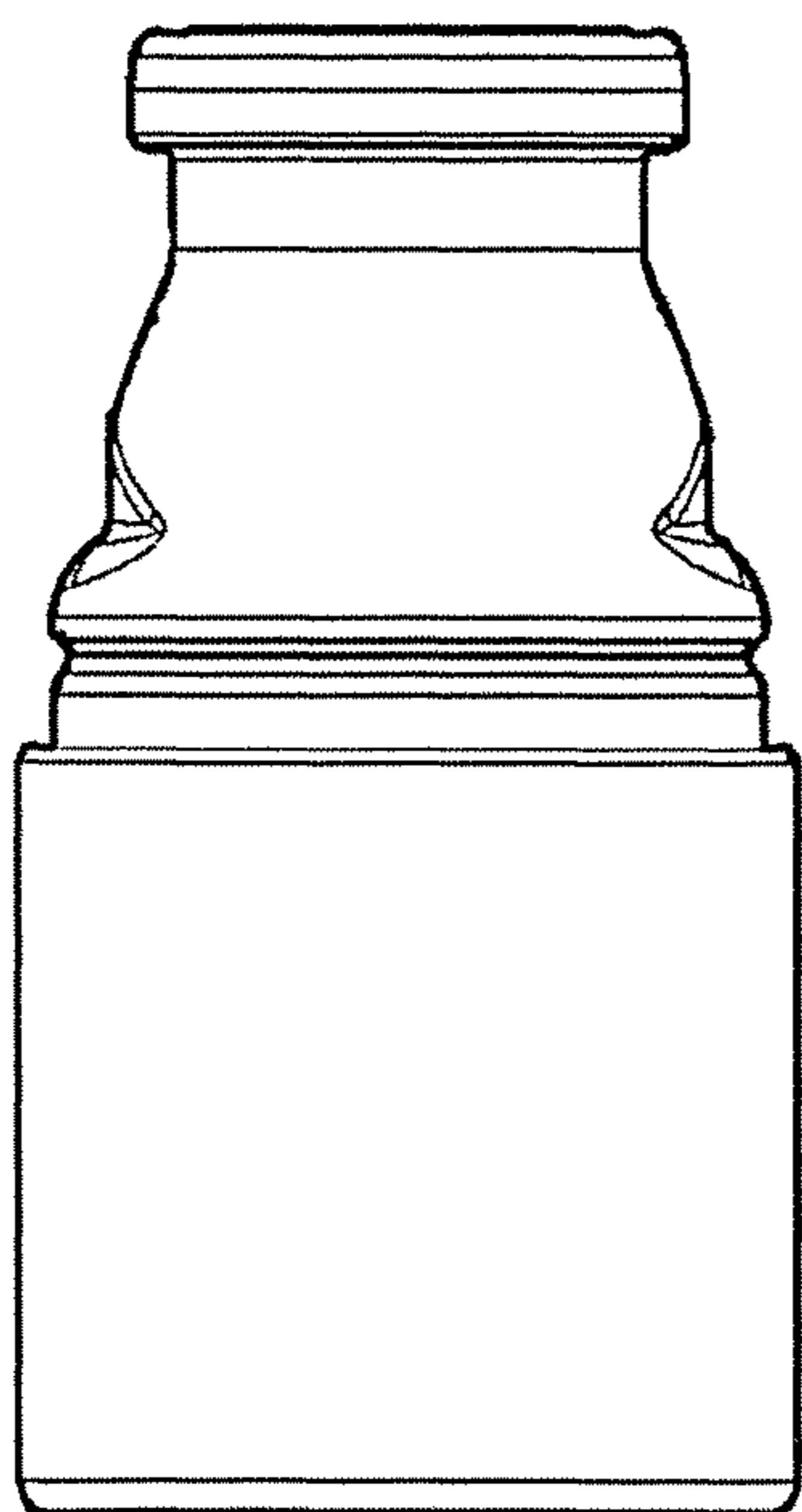


FIG. 3

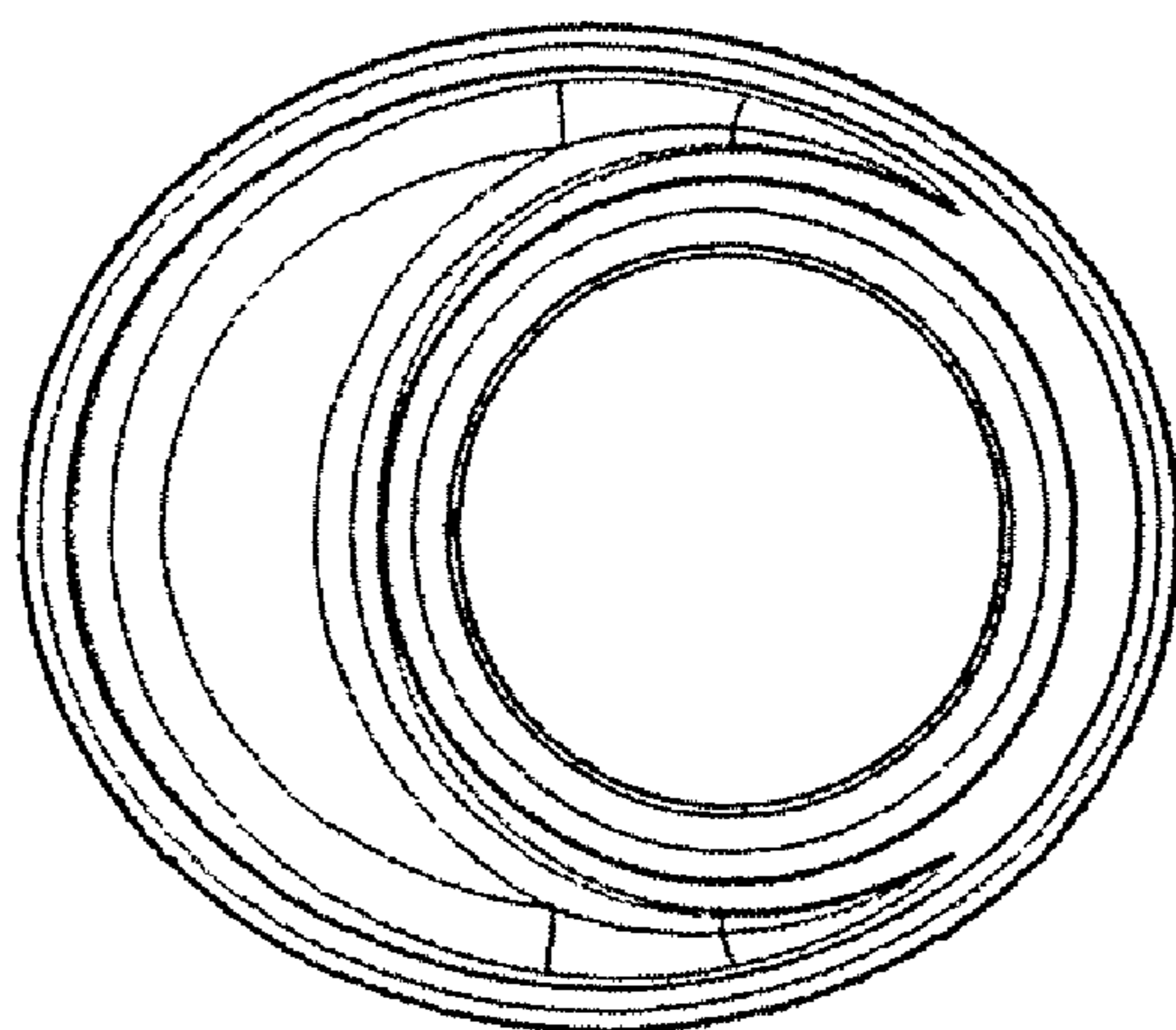


FIG. 4

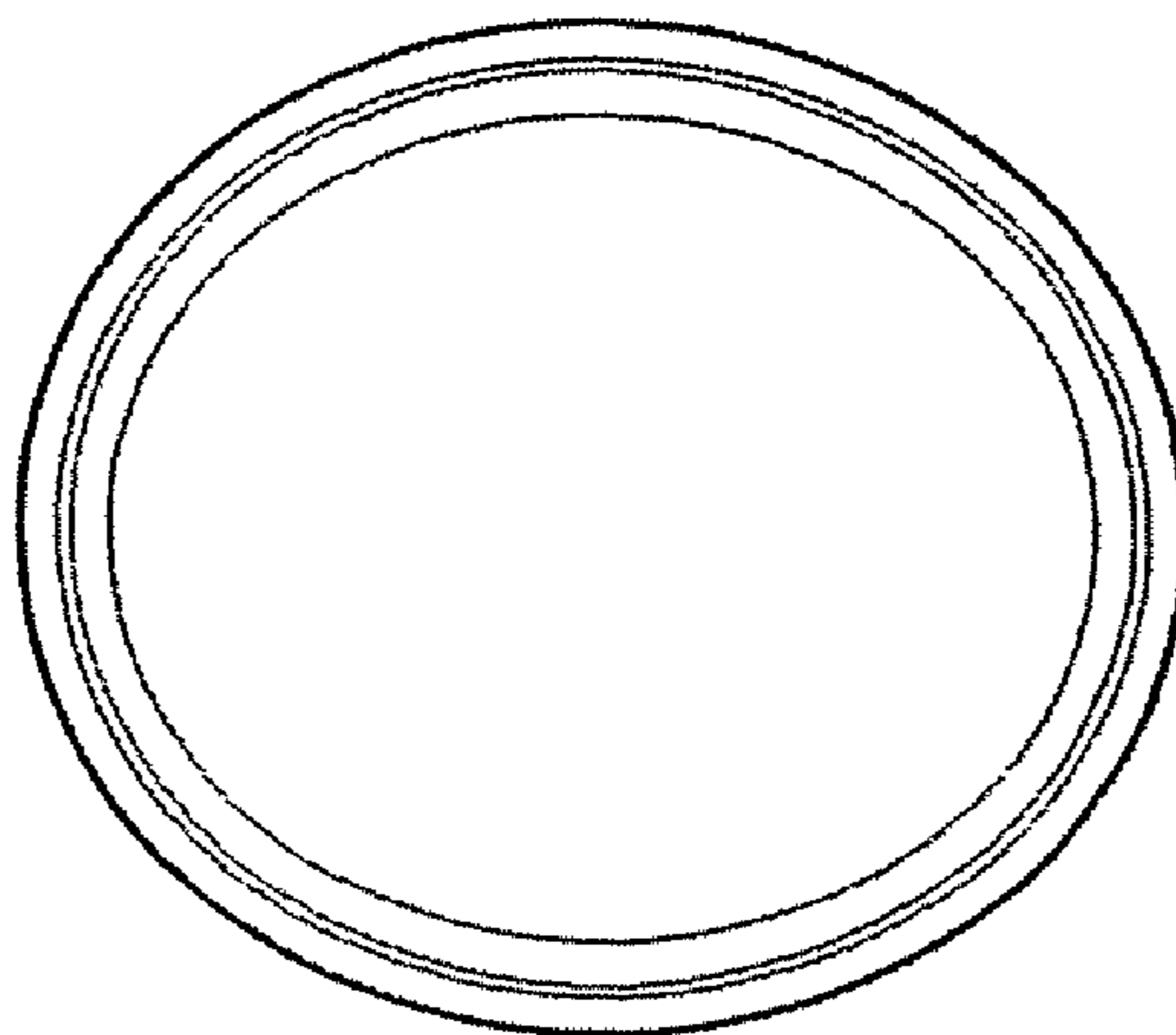


FIG. 5