



US00D634203S

(12) **United States Design Patent**
Mongeon et al.

(10) **Patent No.:** **US D634,203 S**
(45) **Date of Patent:** **** Mar. 15, 2011**

(54) **CONTAINER**

(75) Inventors: **Murphy Greene Mongeon**, Baltimore, MD (US); **Ian Andrew Carnduff**, New York, NY (US); **Akina Kurihara**, Brooklyn, NY (US)

(73) Assignee: **The Procter & Gamble Company**, Cincinnati, OH (US)

(**) Term: **14 Years**

(21) Appl. No.: **29/364,919**

(22) Filed: **Jun. 30, 2010**

(51) **LOC (9) Cl.** **09-01**

(52) **U.S. Cl.** **D9/504**

(58) **Field of Classification Search** D9/500,
D9/502-505, 516, 51, 537-540, 545-546,
D9/549-550, 557-558, 574-575, 682, 686,
D9/688-692, 763-764, 772-773, 776-777,
D9/905; D7/300, 300.1, 589, 591, 598, 601,
D7/605, 608; 215/379, 381-384; 220/660,
220/662, 669-673, 675; D28/4, 9, 73, 76,
D28/83, 91

See application file for complete search history.

(56) **References Cited**

U.S. PATENT DOCUMENTS

D227,003 S *	5/1973	Graham	D9/504
D232,150 S *	7/1974	McKinney	D32/52
D258,199 S	2/1981	Torongo		
D392,889 S *	3/1998	Liu	D9/504
D402,894 S	12/1998	Elia		
D411,747 S	6/1999	Kokenge		
D411,800 S	7/1999	Kokenge		
D419,881 S	2/2000	Kokenge		
D424,943 S	5/2000	Kokenge		
D443,040 S	5/2001	Fabian		
D489,258 S	5/2004	Hollmann		
D504,615 S *	5/2005	Papiernik	D9/519
D520,370 S *	5/2006	Priestman	D9/529

D524,661 S	7/2006	Blasko et al.		
D525,143 S	7/2006	Blasko et al.		
D526,211 S	8/2006	Blasko et al.		
D526,908 S	8/2006	Blasko et al.		
D527,277 S	8/2006	Blasko et al.		
D531,041 S *	10/2006	Sauer et al.	D9/529
D544,368 S	6/2007	Blasko et al.		
D547,661 S	7/2007	Blasko et al.		
D553,800 S *	10/2007	Hollmann et al.	D28/89

(Continued)

FOREIGN PATENT DOCUMENTS

CN 301089153 12/2008

(Continued)

OTHER PUBLICATIONS

U.S. Appl. NO. 29/364,903, filed Jun. 30, 2010, Murphy Greene Mongeon, et al.

(Continued)

Primary Examiner — Ian Simmons

Assistant Examiner — Dana L Sipos

(74) *Attorney, Agent, or Firm* — Eric Addington; James Vago; Carl Roof

(57) **CLAIM**

The ornamental design for a container, as shown and described.

DESCRIPTION

FIG. 1 is a perspective view of a container showing our new design;

FIG. 2 is front elevation view of FIG. 1,

FIG. 3 is a rear elevation view of FIG. 1,

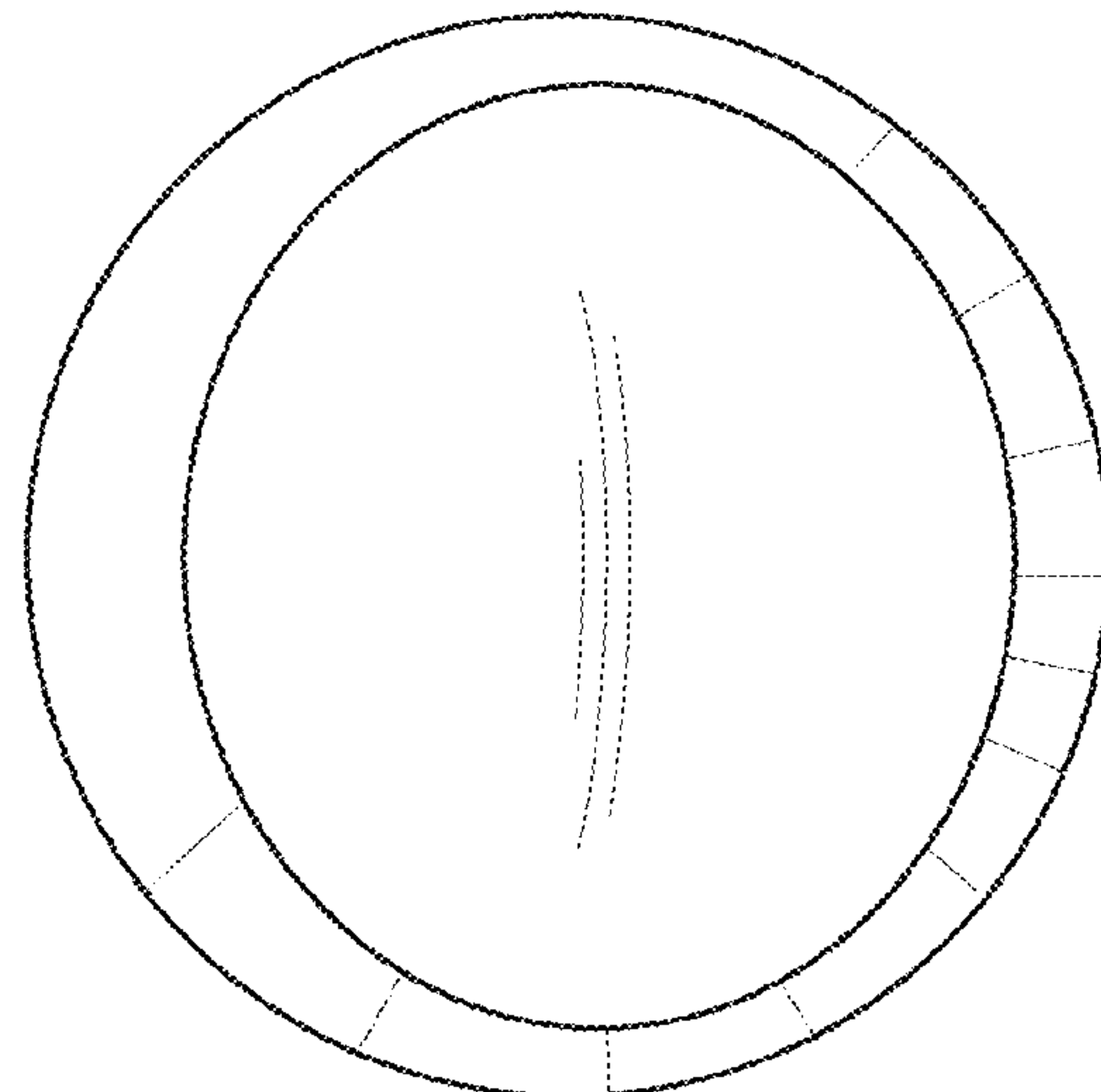
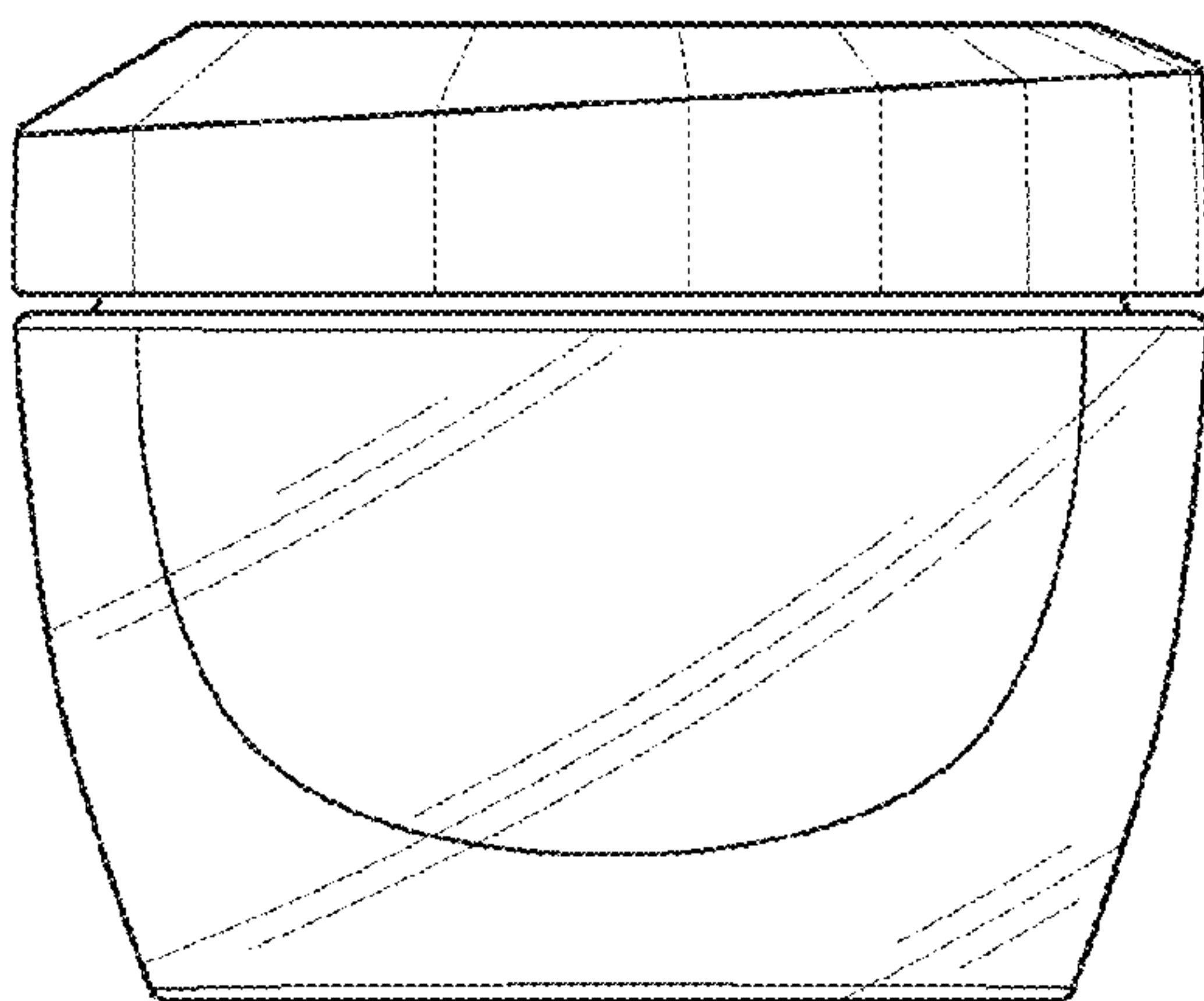
FIG. 4 is a right side elevation view of FIG. 1,

FIG. 5 is a left side elevation view of FIG. 1,

FIG. 6 is a top plan view of FIG. 1; and,

FIG. 7 is a bottom plan view of FIG. 1.

1 Claim, 4 Drawing Sheets



US D634,203 S

Page 2

U.S. PATENT DOCUMENTS

D558,591 S 1/2008 Blasko et al.
D562,142 S 2/2008 Bunce
D570,707 S 6/2008 Blasko et al.
D581,280 S * 11/2008 Oates D9/529
D615,868 S * 5/2010 Rodriguez et al. D9/529
D621,708 S * 8/2010 Thomas et al. D9/500

FOREIGN PATENT DOCUMENTS

CN 301089154 12/2008
CN 300938550 6/2009
CN 300964172 7/2009
CN 300990489 8/2009
CN 301089138 12/2009
CN 301089151 12/2009
EM 000447362.0002 12/2005
EM 000447362.0003 12/2005
EM 000569272.0004 8/2006
EM 000951918.0001 7/2008

EM 001143176.0003 6/2009
KR 300424855.0000 9/2006
KR 300494210.0000 6/2008

OTHER PUBLICATIONS

U.S. Appl. No. 29/364,907, filed Jun. 30, 2010, Murphy Greene Mongeon, et al.
U.S. Appl. No. 29/364,917, filed Jun. 30, 2010, Murphy Greene Mongeon, et al.
U.S. Appl. No. 29/364,921, filed Jun. 30, 2010, Murphy Greene Mongeon, et al.
Canadian Industrial Designs Database, Registration No. 123537, Date of Registration Sep. 3, 2008; Title: Jar; 5 pages.
Canadian Industrial Designs Database, Registration No. 85091, Date of Registration Jun. 11, 1998; Title: Container for Creamy Goods; 6 pages.

* cited by examiner

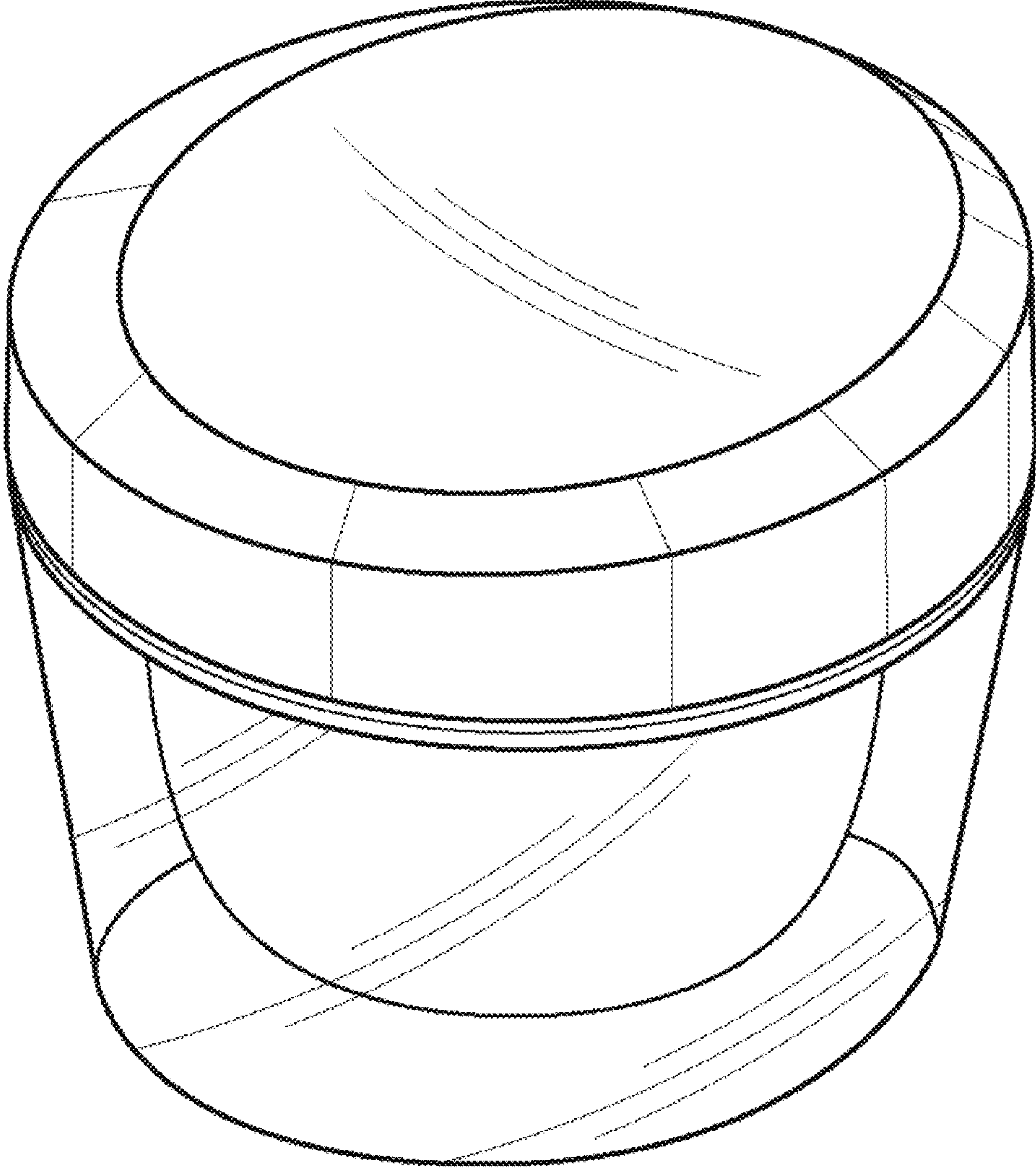


Fig. 1

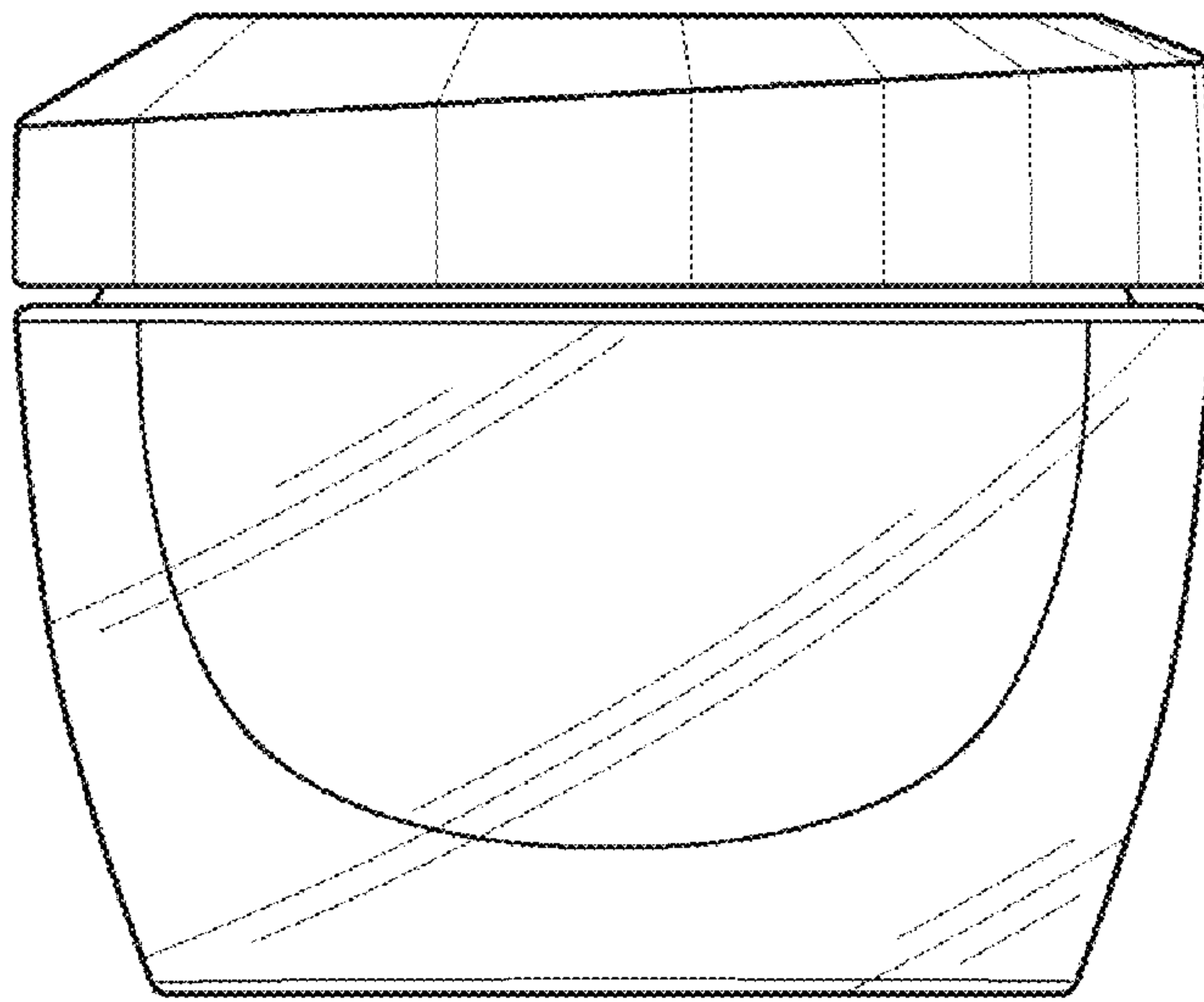


Fig. 2

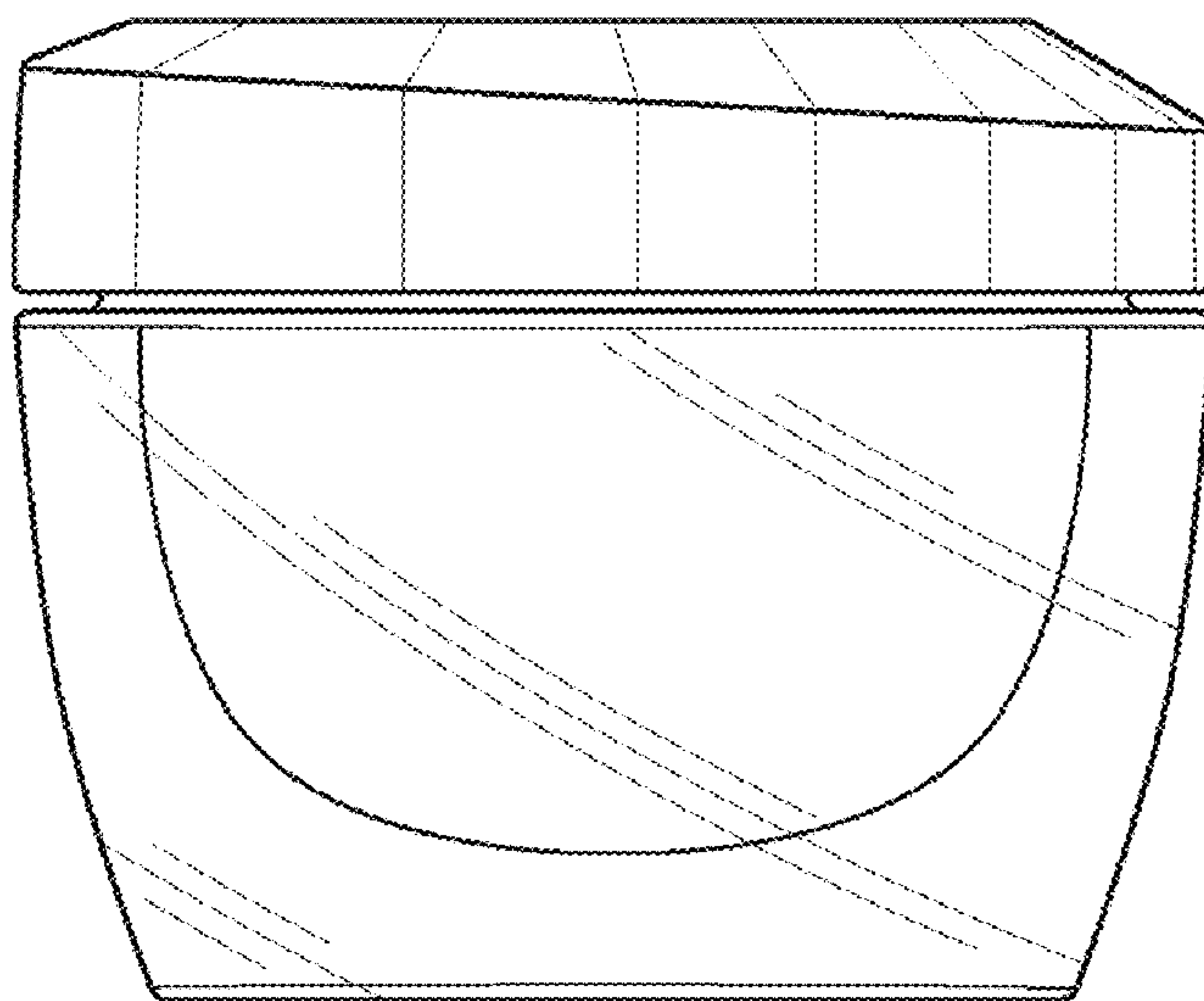


Fig. 3

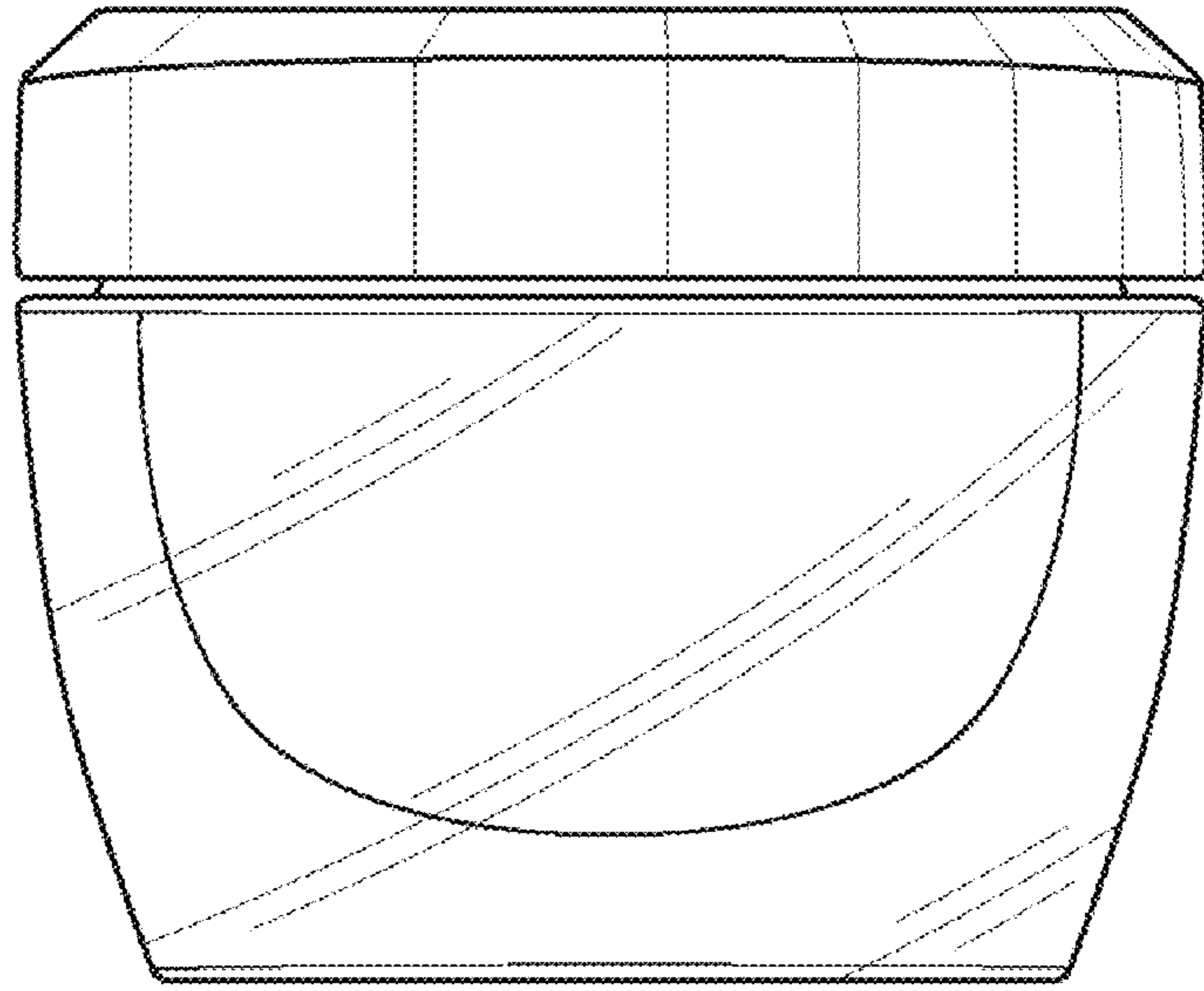


Fig. 4

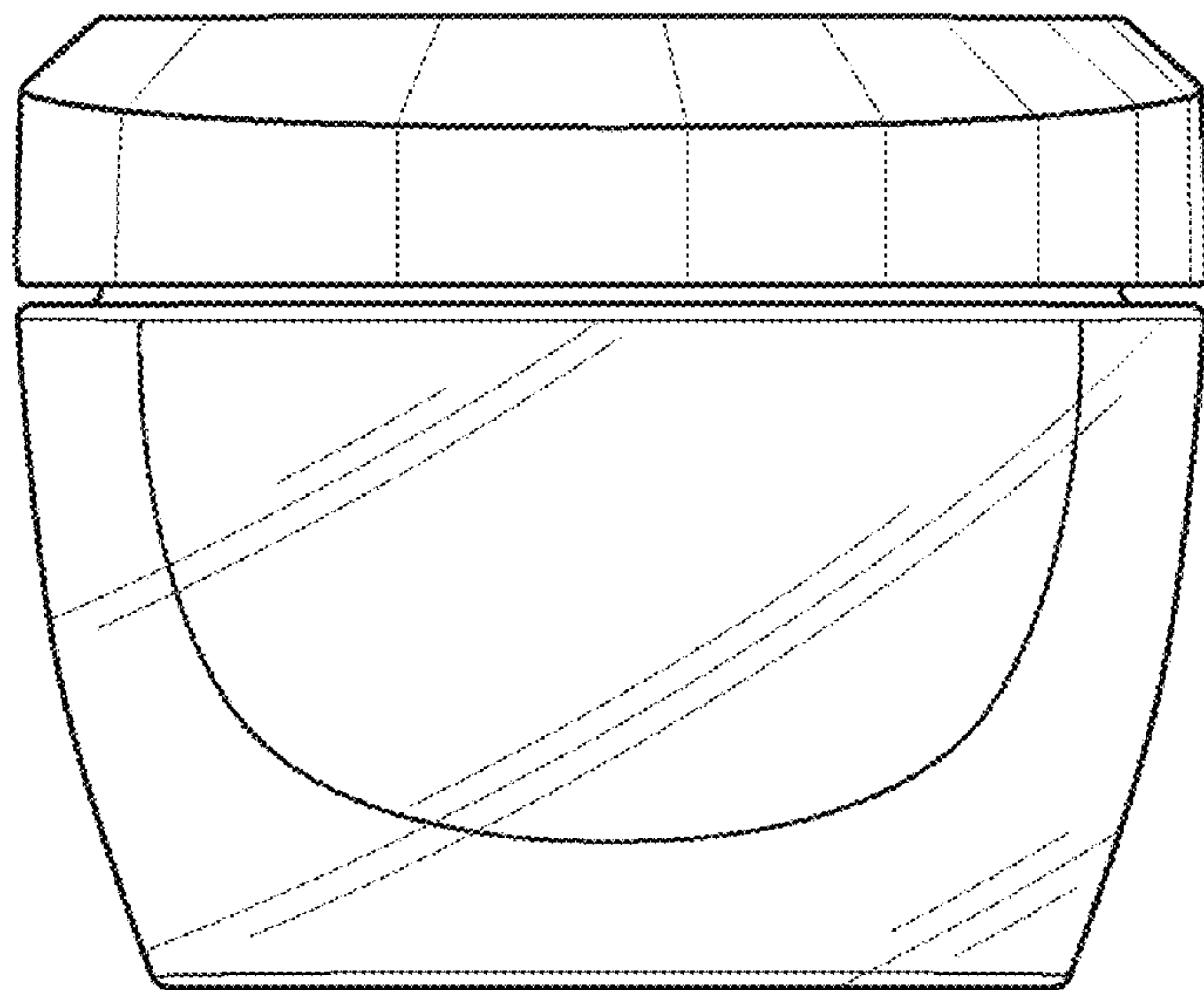


Fig. 5

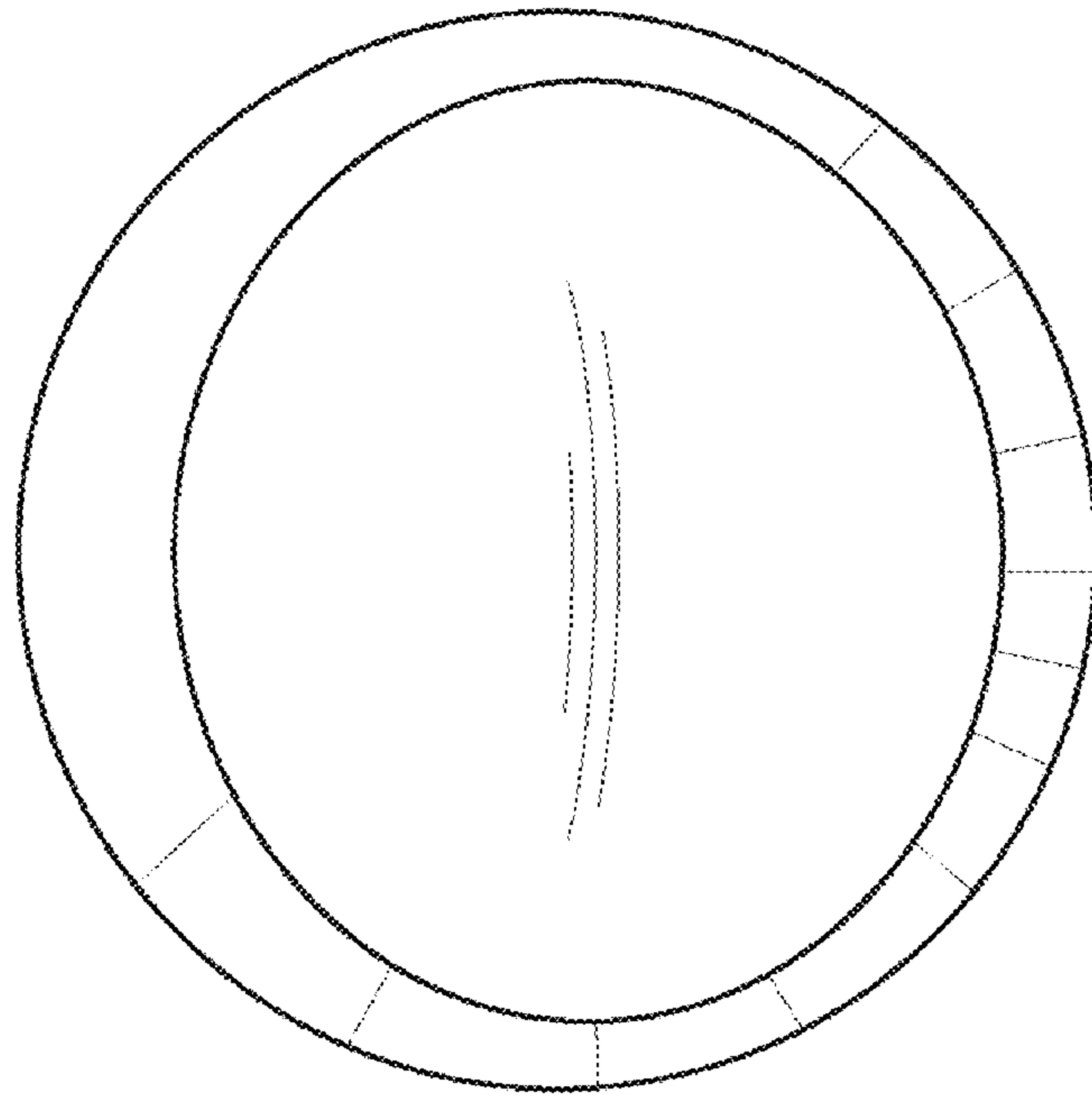


Fig. 6

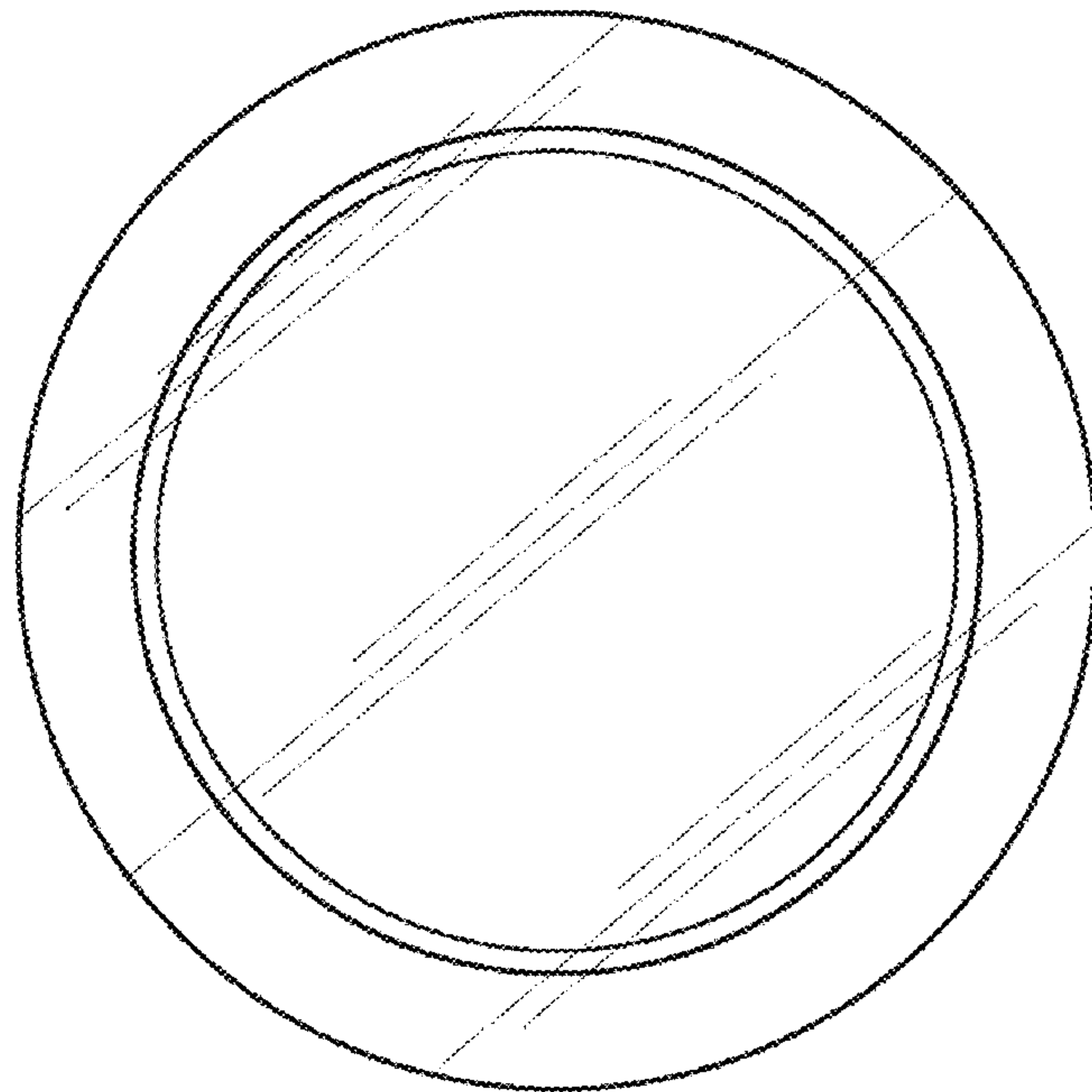


Fig. 7