



US00D634202S

(12) **United States Design Patent**  
**Zamberlan et al.**

(10) **Patent No.:** **US D634,202 S**  
(45) **Date of Patent:** **\*\* Mar. 15, 2011**

(54) **FLASK, CAP AND REFILL**

D588,916 S \* 3/2009 DeMarco ..... D9/504  
D588,925 S \* 3/2009 DeMarco ..... D9/558  
D595,578 S \* 7/2009 Del Tedesco  
Zamberlan et al. .... D9/504

(75) Inventors: **Romulo Del Tedesco Zamberlan**, Sao Paulo (BR); **Gustavo Senna Chelles**, Sao Paulo (BR)

\* cited by examiner

*Primary Examiner* — Ian Simmons  
*Assistant Examiner* — Dana L Sipos

(73) Assignee: **Natura Cosméticos S.A.**, Itapeceerica da Serra SP (BR)

(74) *Attorney, Agent, or Firm* — B. Aaron Schulman; Stites & Harbison PLLC

(\*\*) Term: **14 Years**

(57) **CLAIM**

The ornamental design for a flask, cap and refill, as shown and described.

(21) Appl. No.: **29/352,803**

**DESCRIPTION**

(22) Filed: **Dec. 28, 2009**

(30) **Foreign Application Priority Data**

Jun. 30, 2009 (BR) ..... DI6902296

(51) **LOC (9) Cl.** ..... **09-01**

(52) **U.S. Cl.** ..... **D9/504**

(58) **Field of Classification Search** ..... D9/500,  
D9/502–505, 516, 51, 537–540, 545–546,  
D9/549–550, 557–558, 574–575, 682, 686,  
D9/688–692, 763–764, 772–773, 776–777,  
D9/905; D7/300, 300.1, 589, 591, 598, 601,  
D7/605, 608; 215/379, 381–384; 220/660,  
220/662, 669–673, 675; D28/4, 9, 73, 76,  
D28/83, 91

See application file for complete search history.

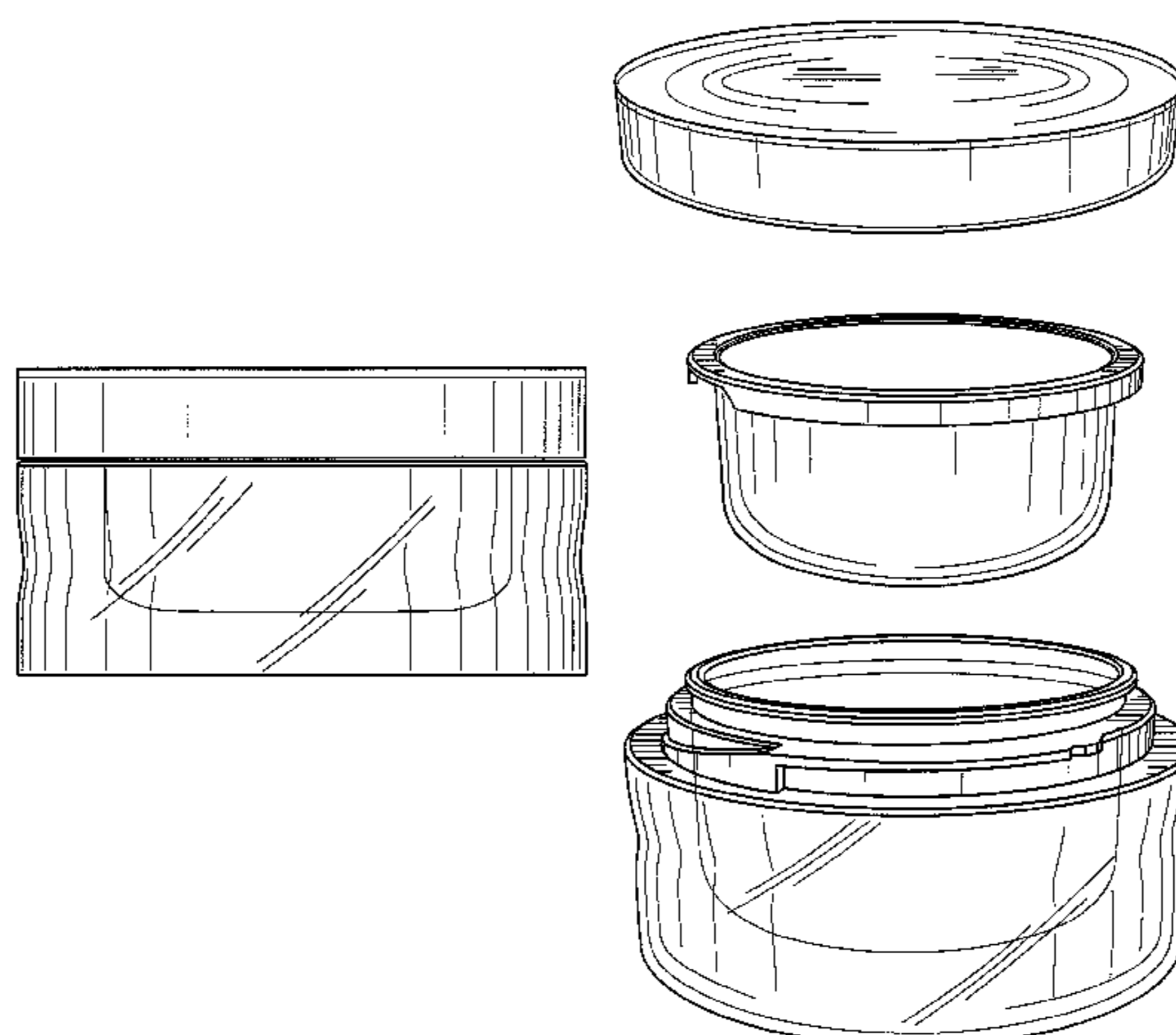
(56) **References Cited**

U.S. PATENT DOCUMENTS

2,076,549 A \* 4/1937 Conner ..... 215/6  
2,711,766 A \* 6/1955 Archer et al. .... 220/62.18  
3,311,248 A \* 3/1967 Marchant ..... 215/13.1  
3,550,803 A \* 12/1970 Pierre ..... 215/12.1  
4,429,798 A \* 2/1984 Borows ..... 215/12.1  
D425,423 S \* 5/2000 Mengeu et al. .... D9/503  
D463,982 S \* 10/2002 Speelman ..... D9/539  
D493,721 S \* 8/2004 Puigbo ..... D9/504  
D522,695 S \* 6/2006 Desdoigts ..... D28/82  
D561,943 S \* 2/2008 Desdoigts ..... D28/82

FIG. 1 is a top perspective view of a flask, cap and refill showing our new design, shown in the closed position; FIG. 2 is a front elevation view thereof; FIG. 3 is a rear elevation view thereof; FIG. 4 is a top plan view thereof; FIG. 5 is a bottom plan view thereof; FIG. 6 is a top perspective view of the flask portion of the claim; FIG. 7 is a front elevation view thereof; FIG. 8 is a rear elevation view thereof; FIG. 9 is a top plan view thereof; FIG. 10 is a bottom plan view thereof; FIG. 11 is a top perspective view of the refill portion of the claimed design; FIG. 12 is a front elevation view thereof; FIG. 13 is a rear elevation view thereof; FIG. 14 is a top plan view thereof; FIG. 15 is a bottom plan view thereof; FIG. 16 is a top perspective view of the cap portion of the claimed design; FIG. 17 is a front elevation view thereof; FIG. 18 is a rear elevation view thereof; FIG. 19 is a top plan view thereof; FIG. 20 is a bottom plan view thereof; FIG. 21 is a top perspective view of the flask and refill portions of the claimed design with the cap removed; FIG. 22 is a top plan view thereof; FIG. 23 is a bottom plan view thereof; FIG. 24 is a front elevation view thereof; FIG. 25 is a rear elevation view thereof; and, FIG. 26 is an exploded, top perspective view of the flask, cap and refill of the claimed design.

**1 Claim, 16 Drawing Sheets**



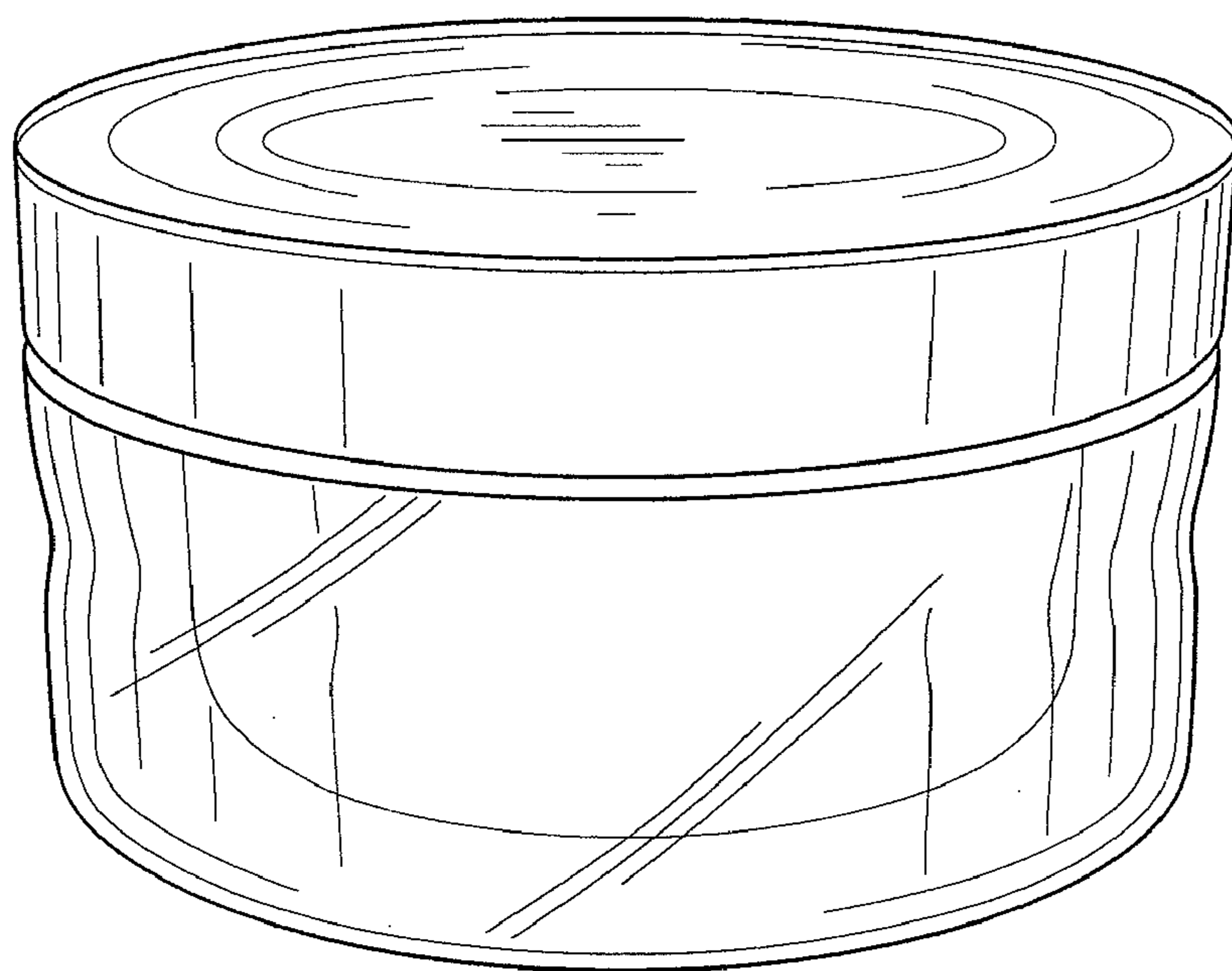


FIG. 1

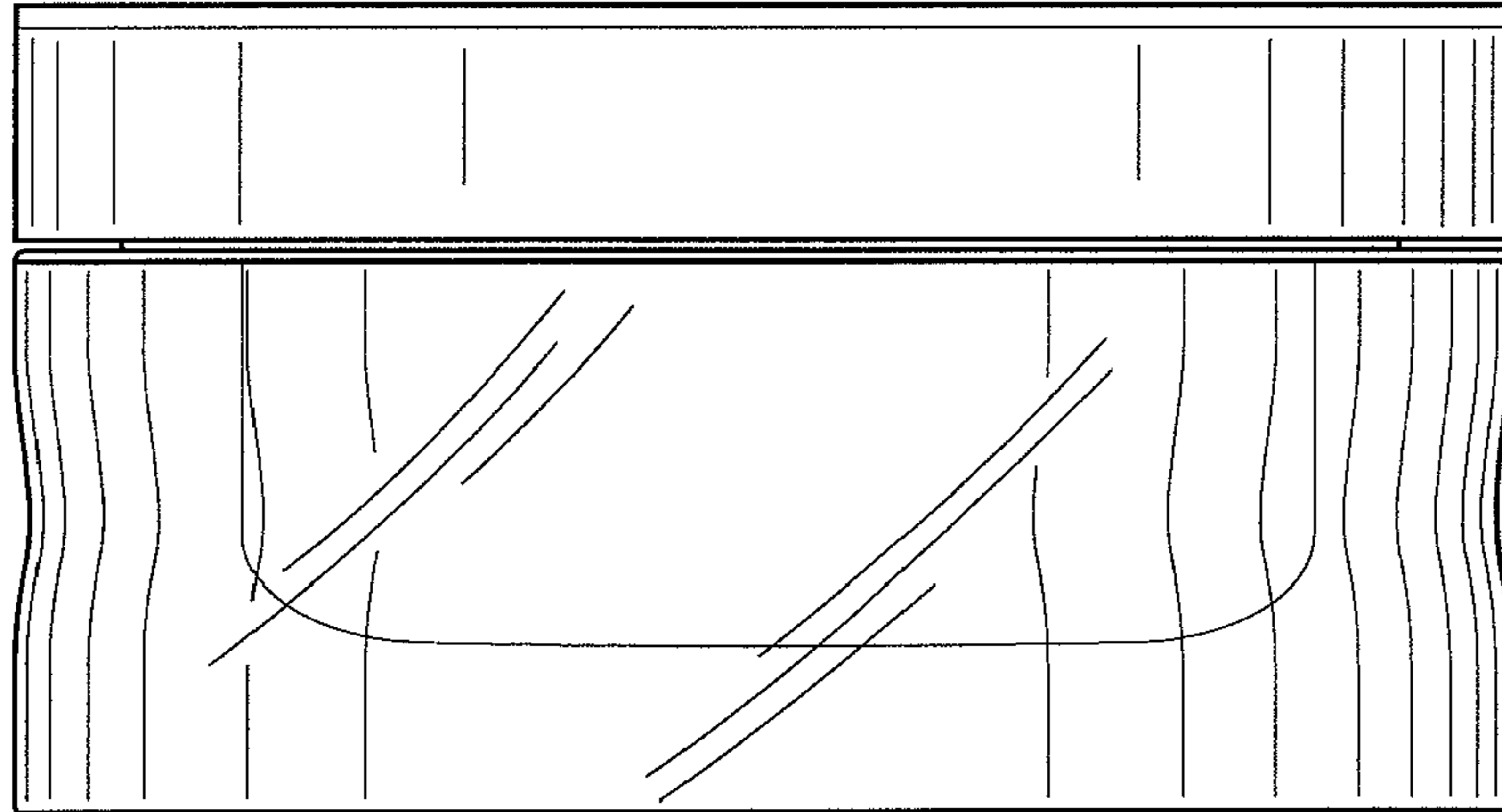


FIG. 2

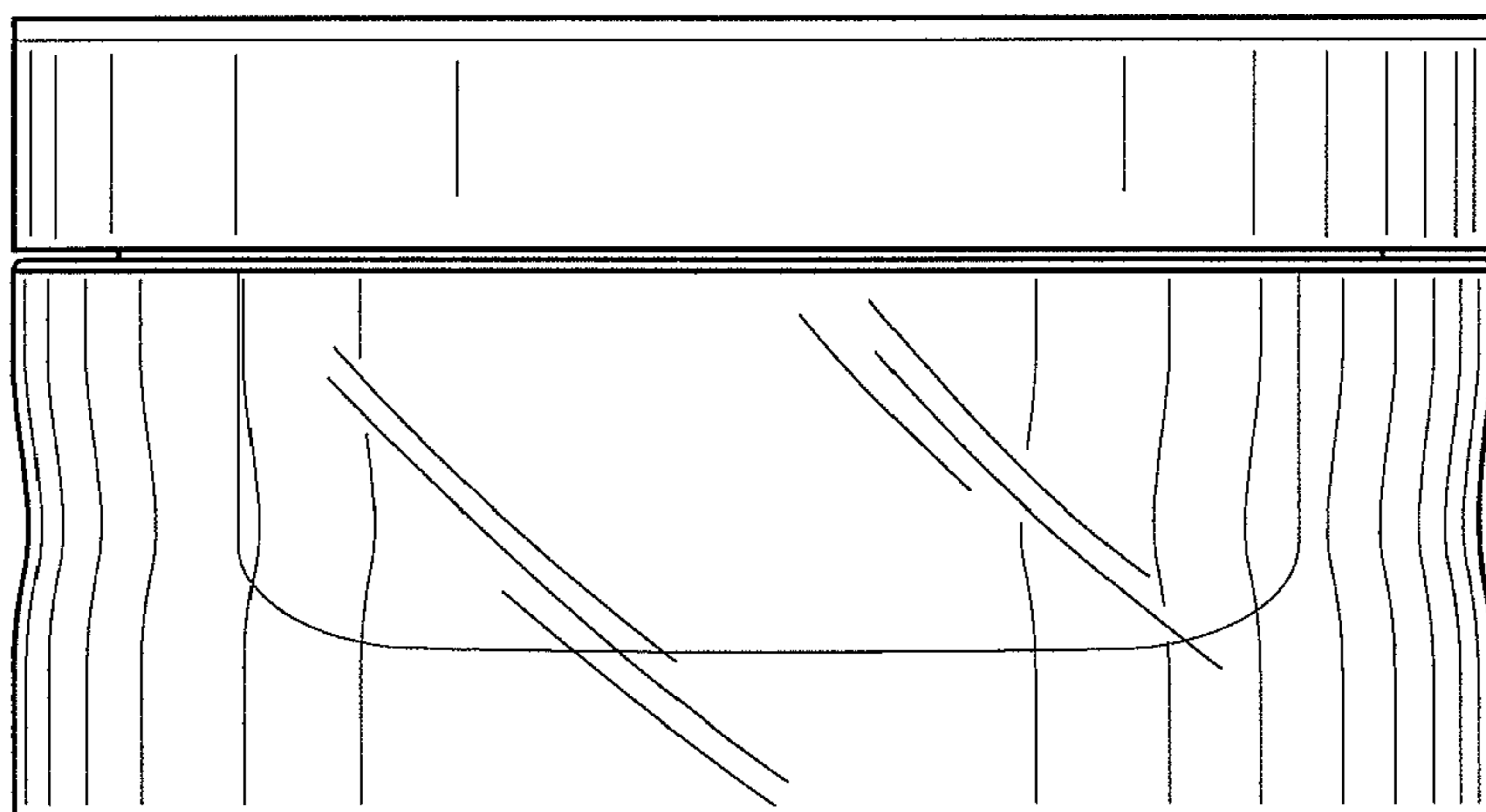


FIG. 3

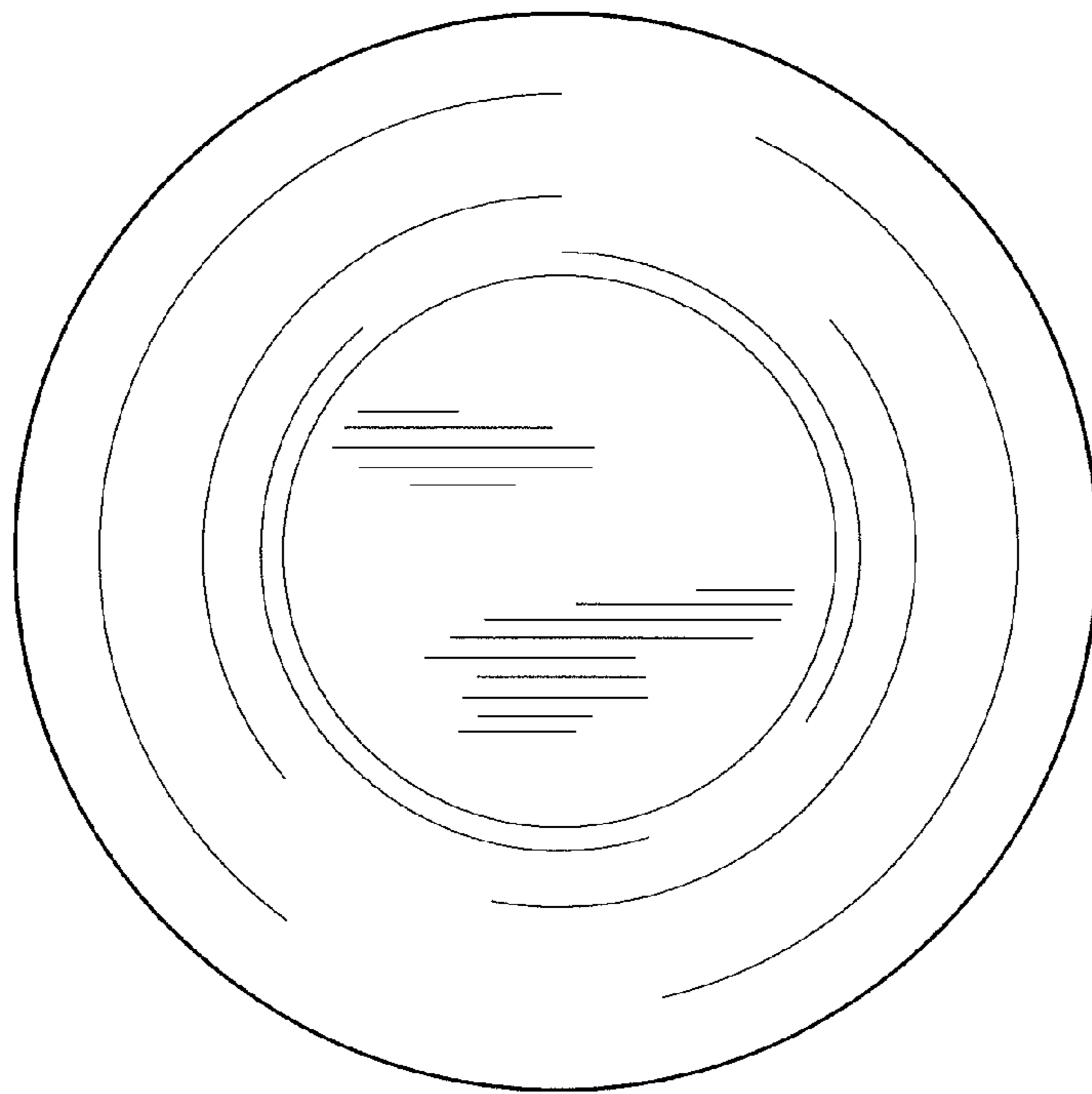


FIG. 4

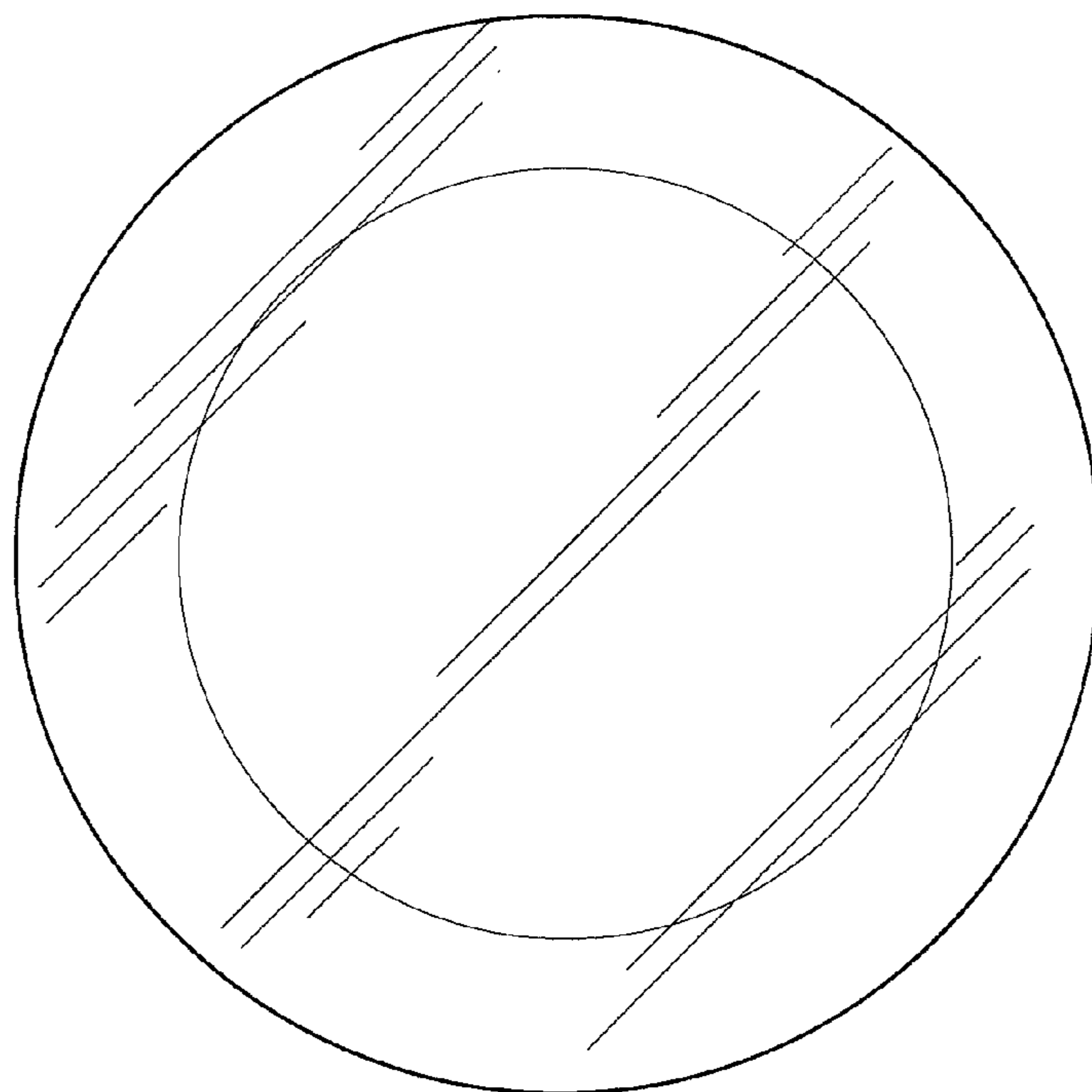


FIG. 5

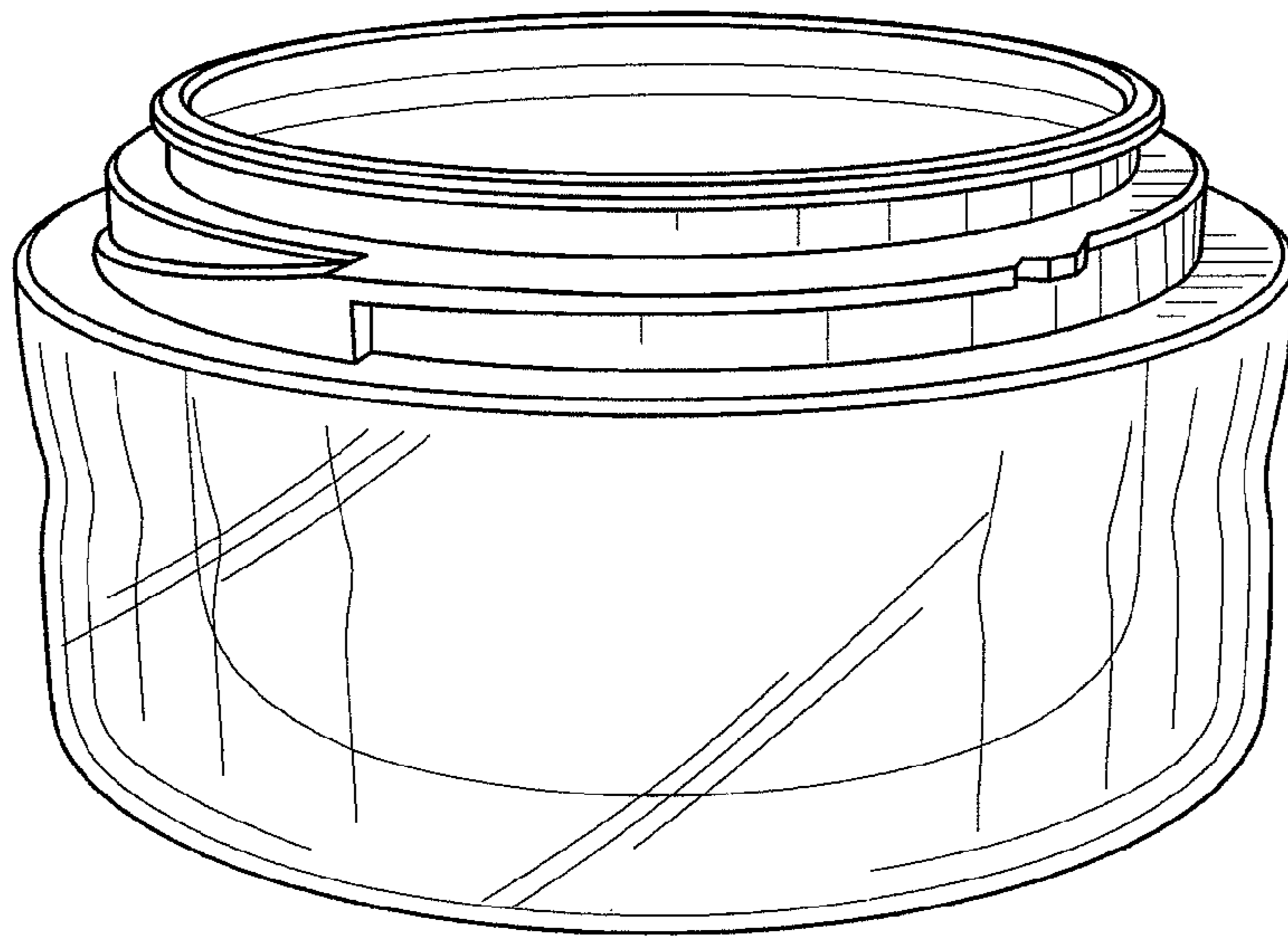


FIG. 6



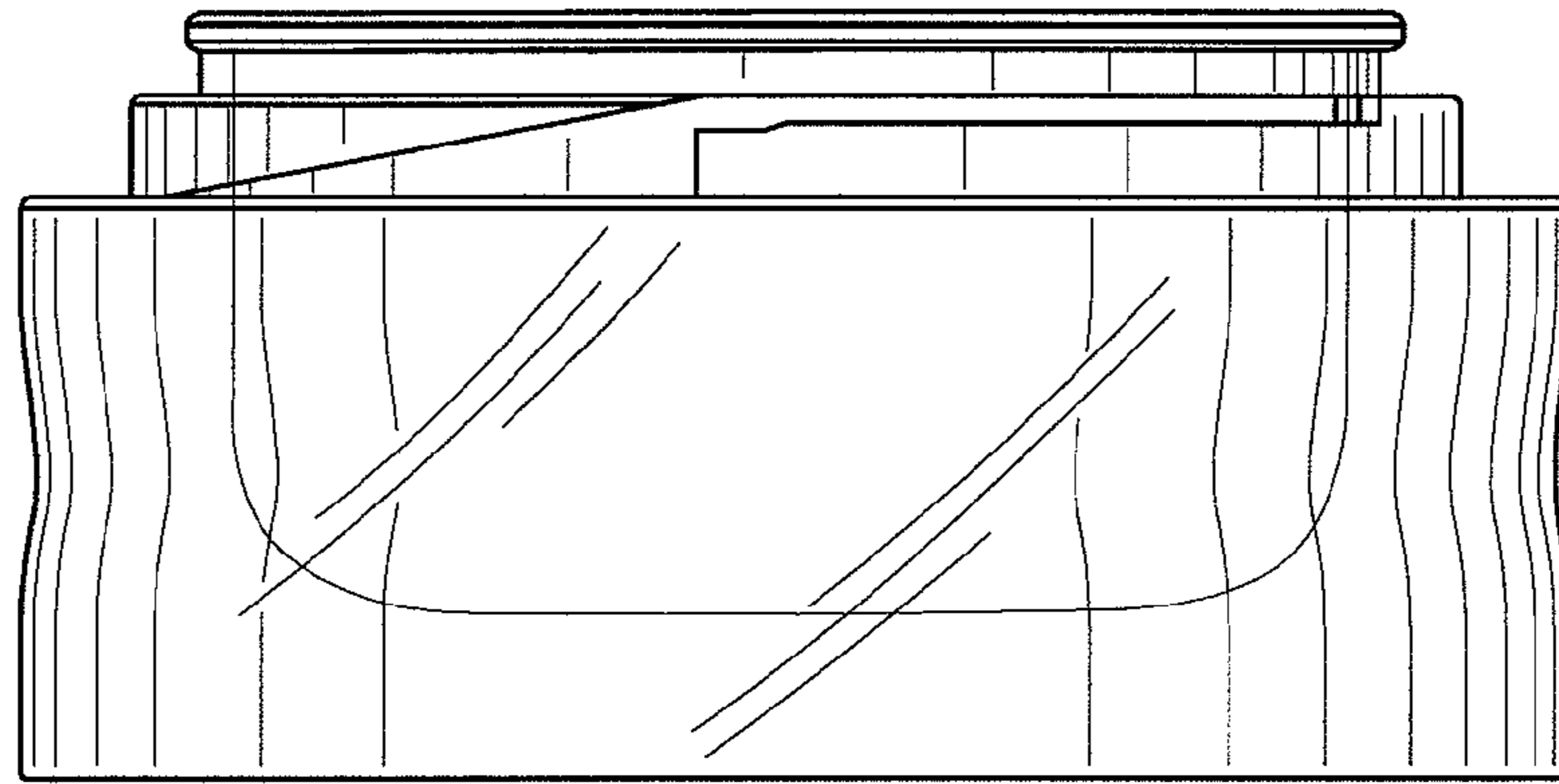


FIG. 7

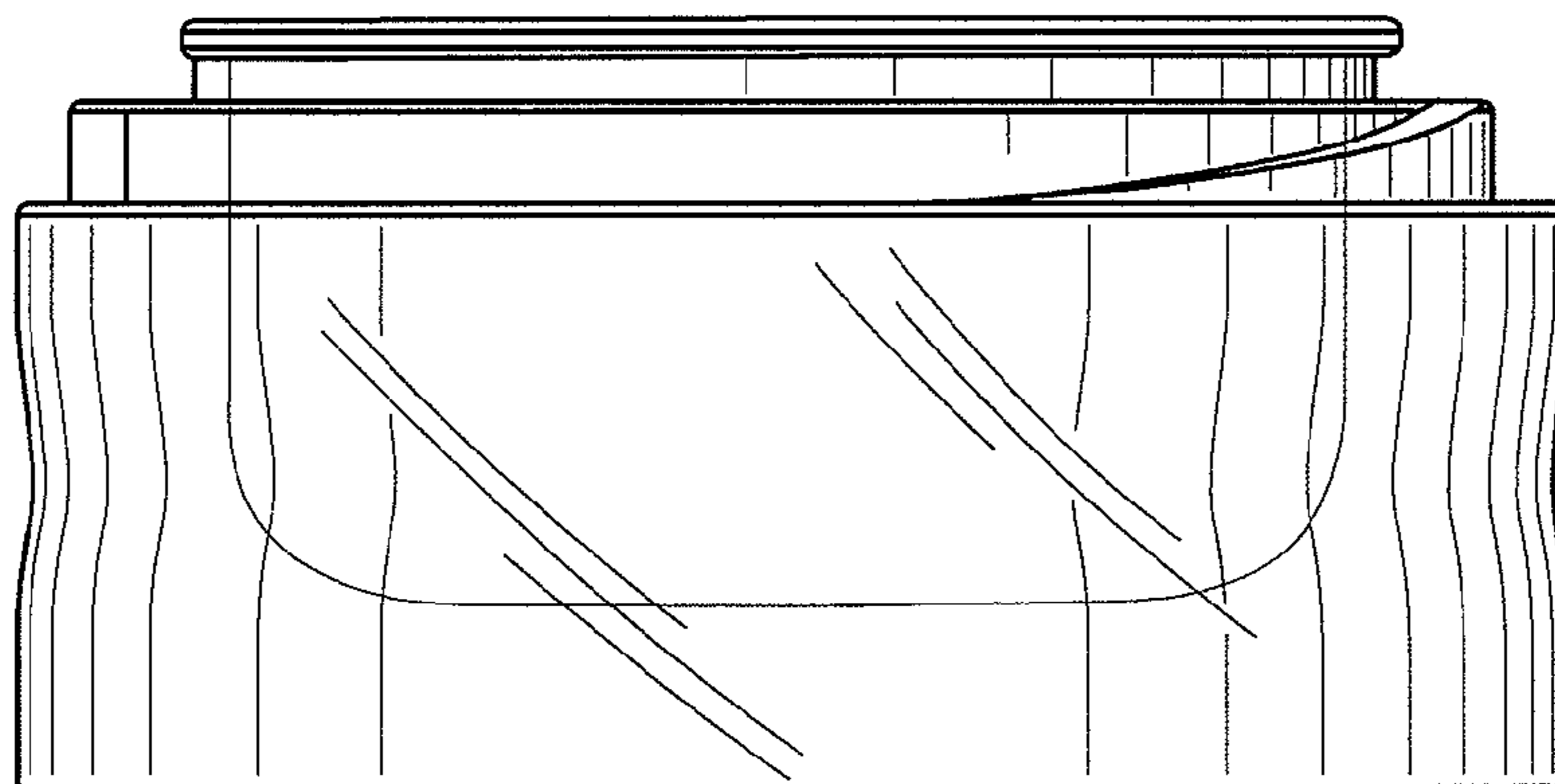


FIG. 8

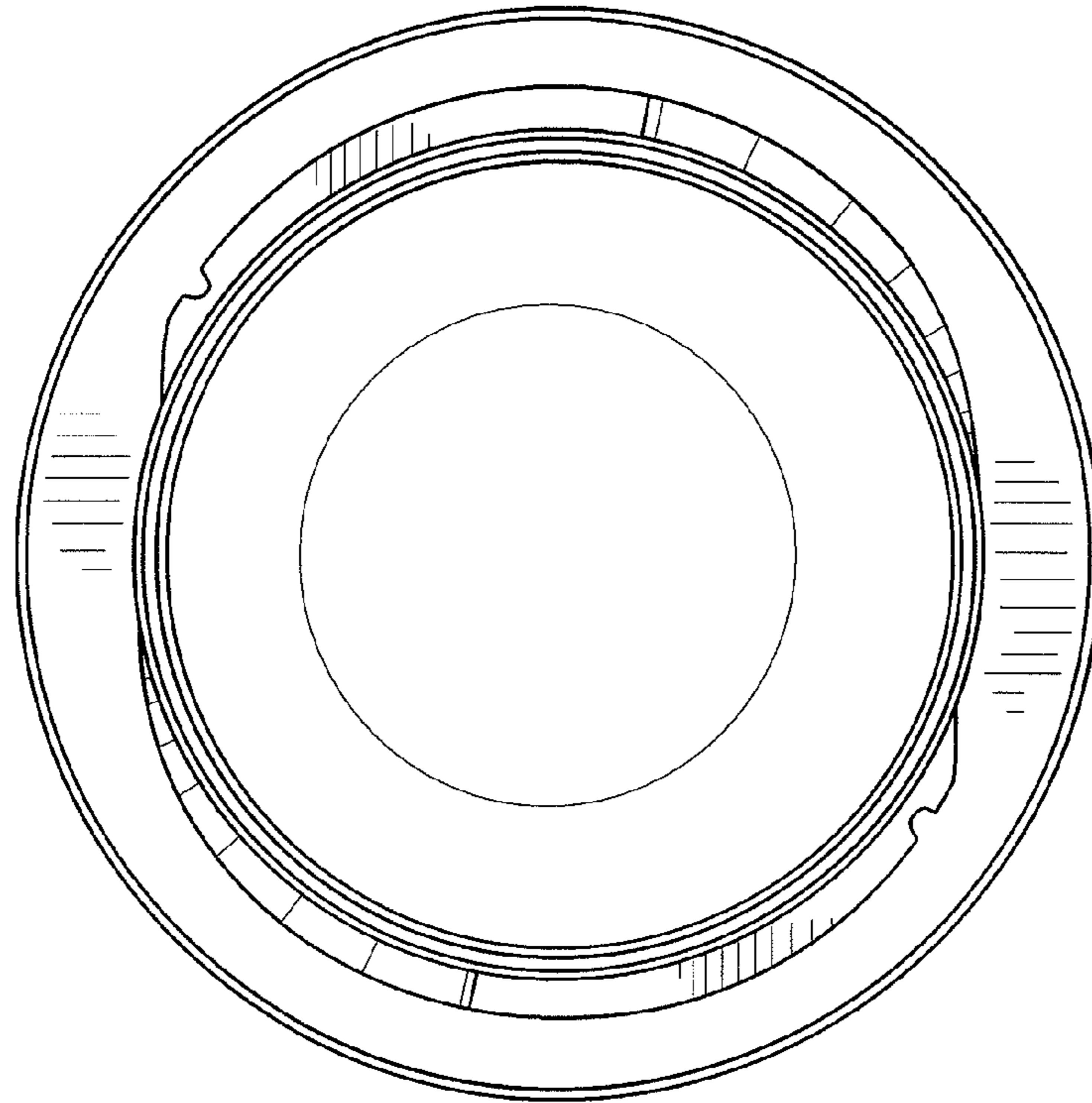


FIG. 9

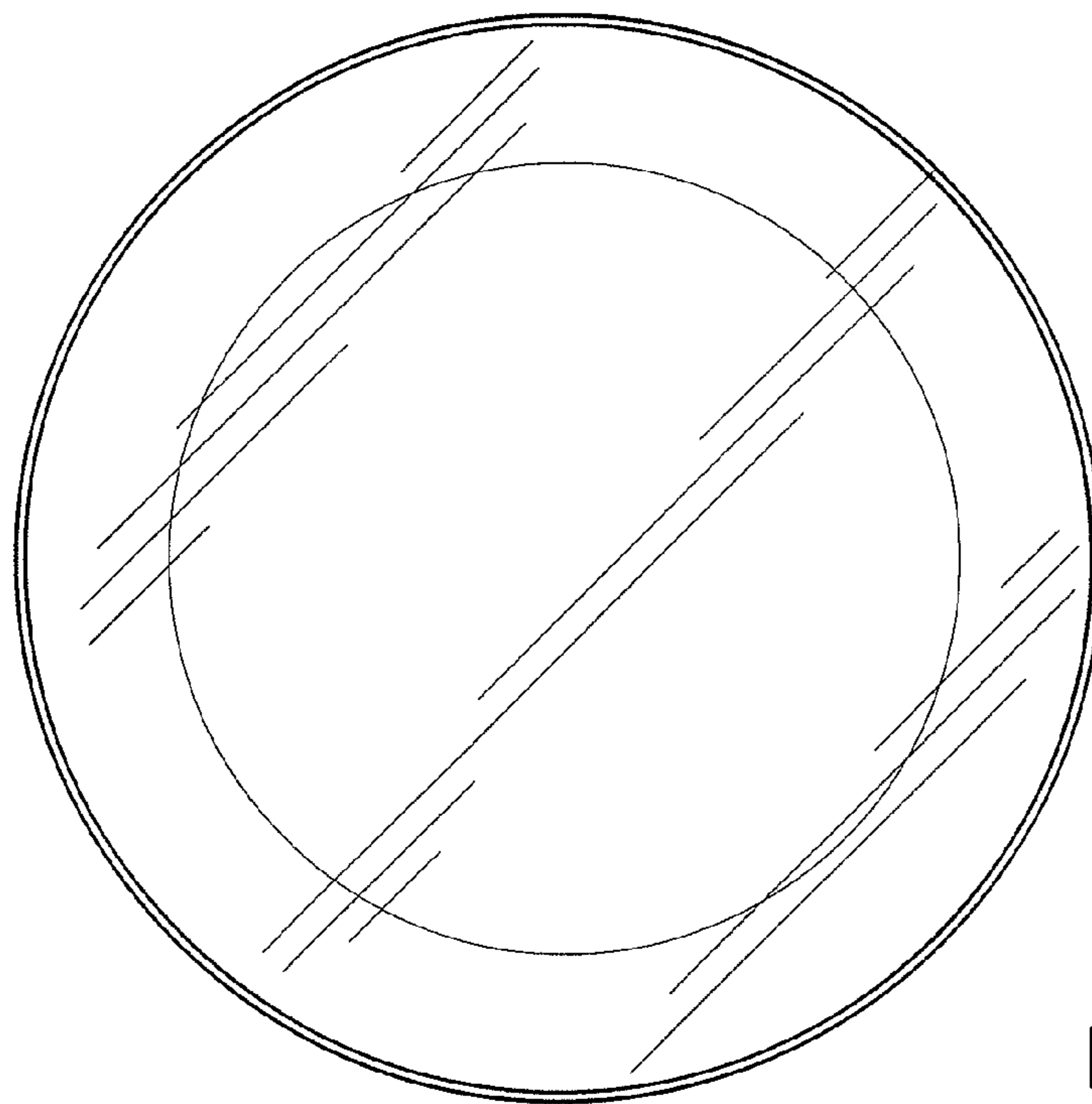


FIG. 10

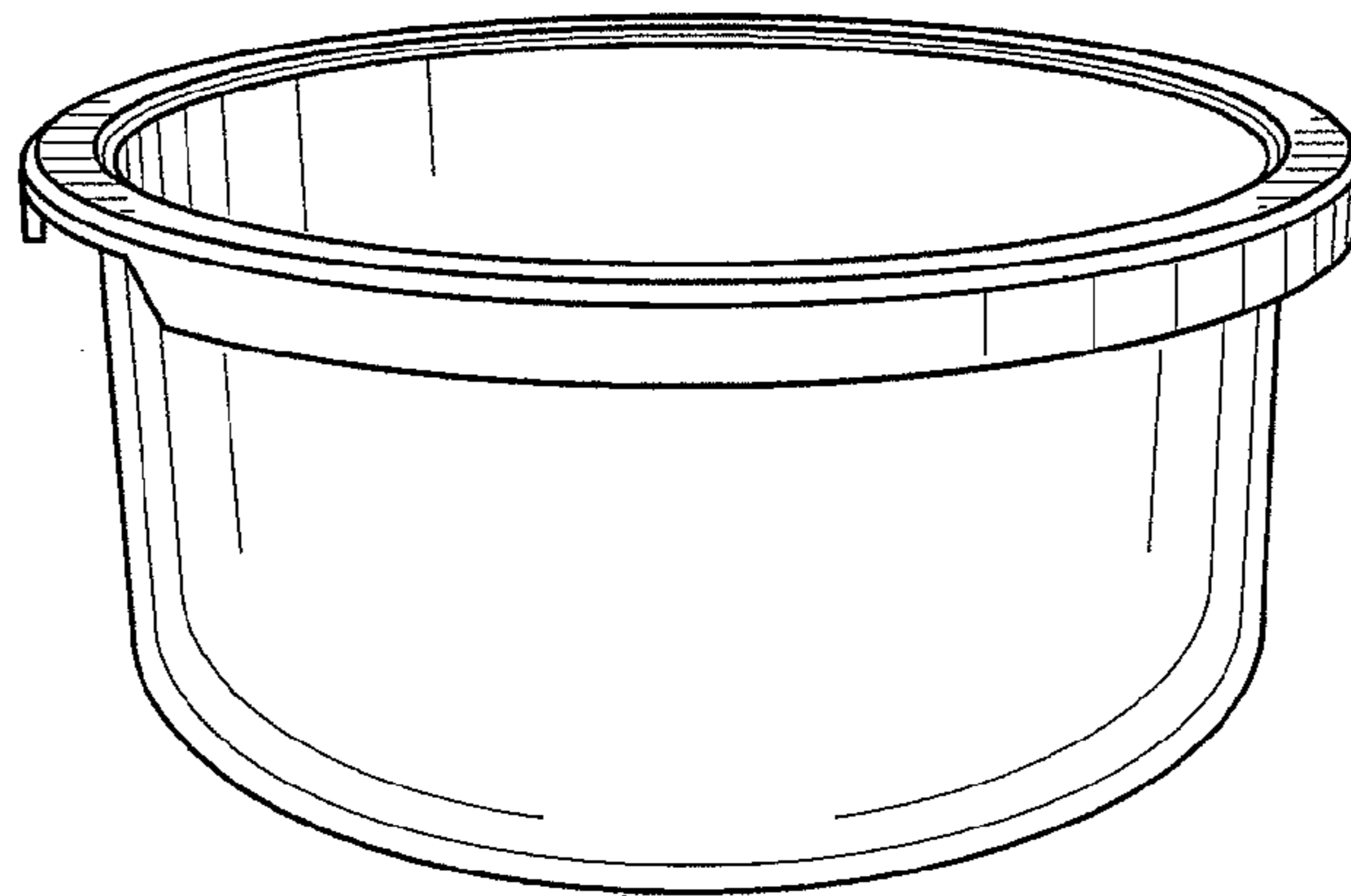


FIG. 11



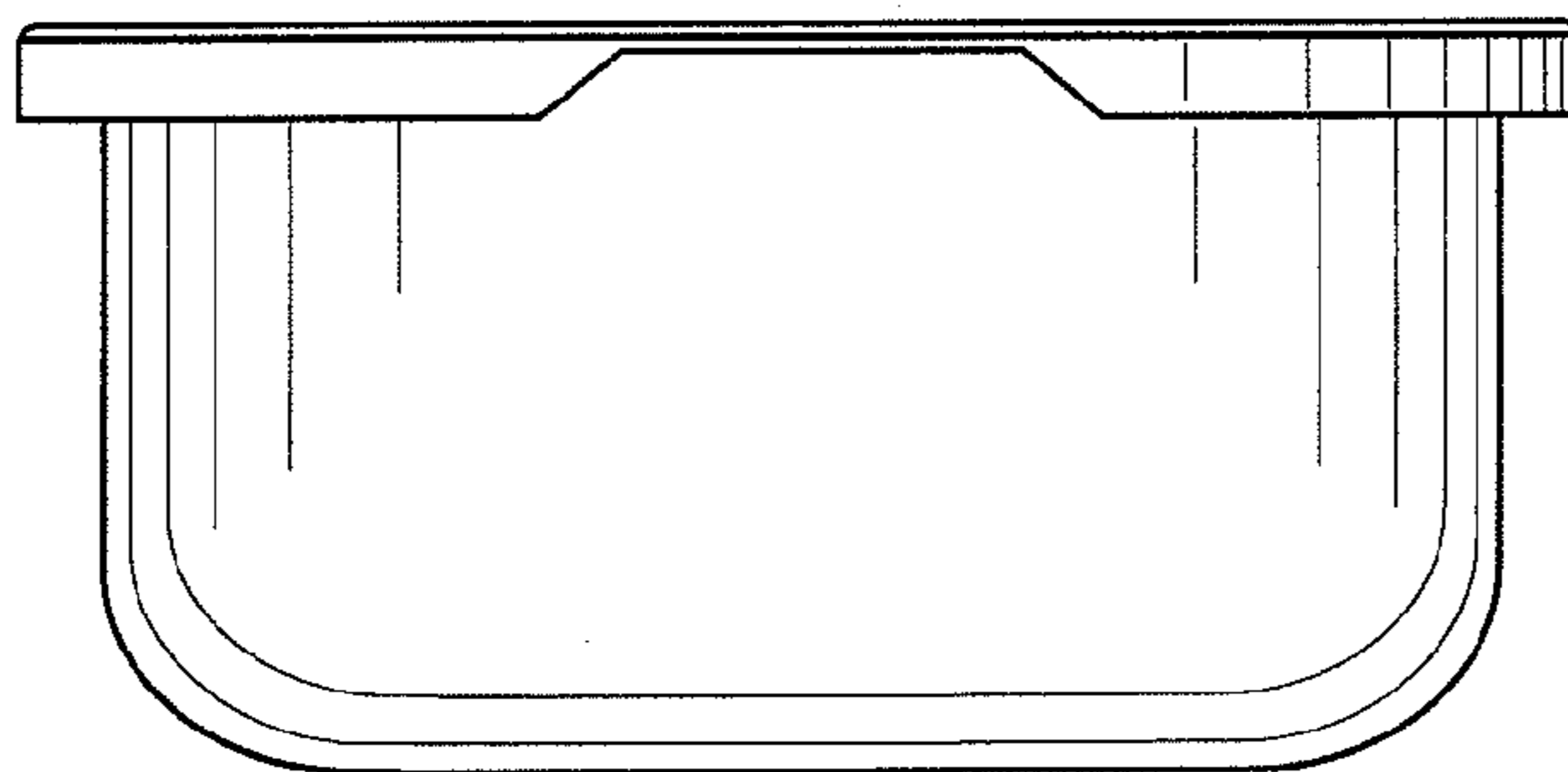


FIG. 12

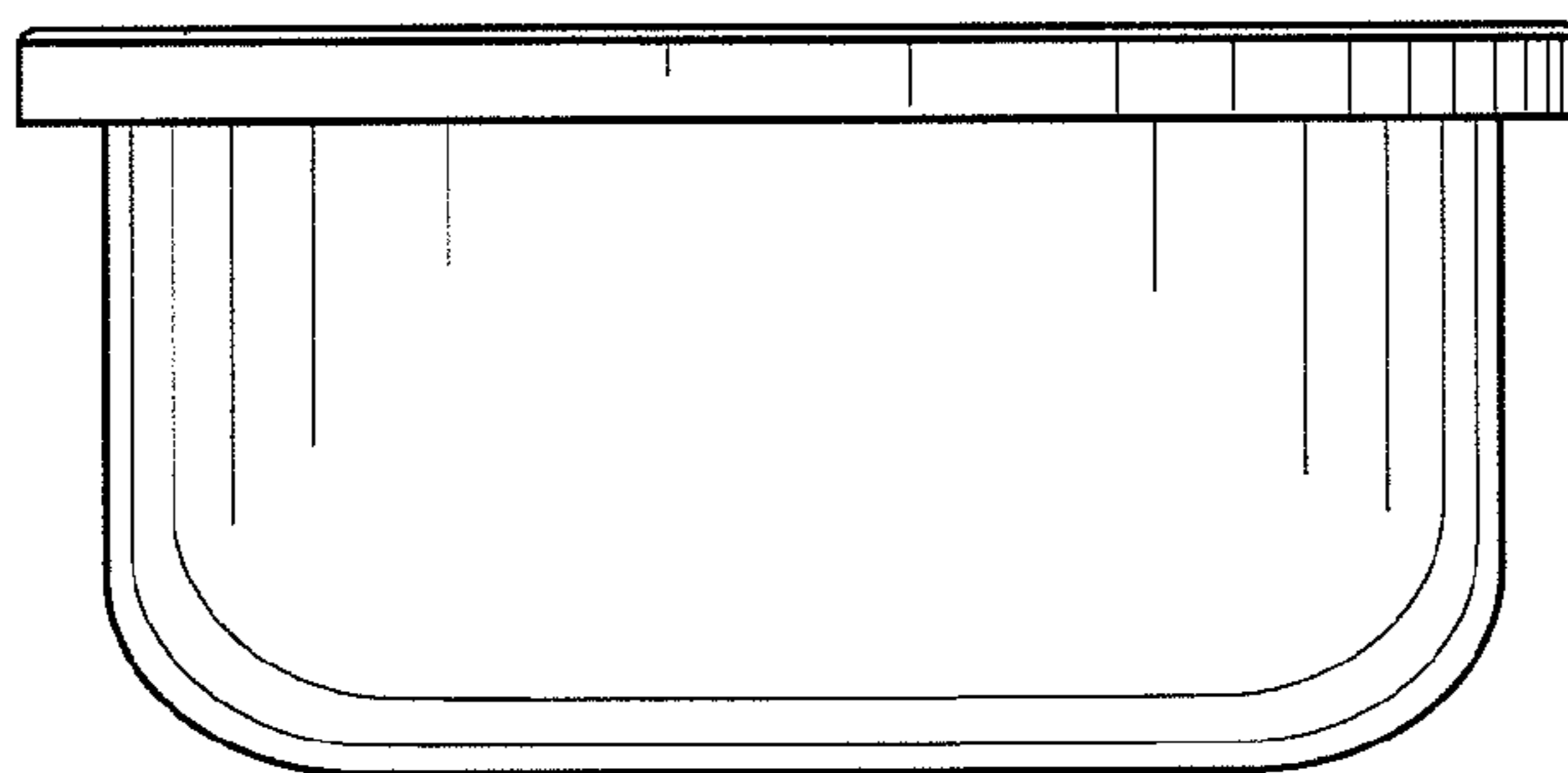


FIG. 13

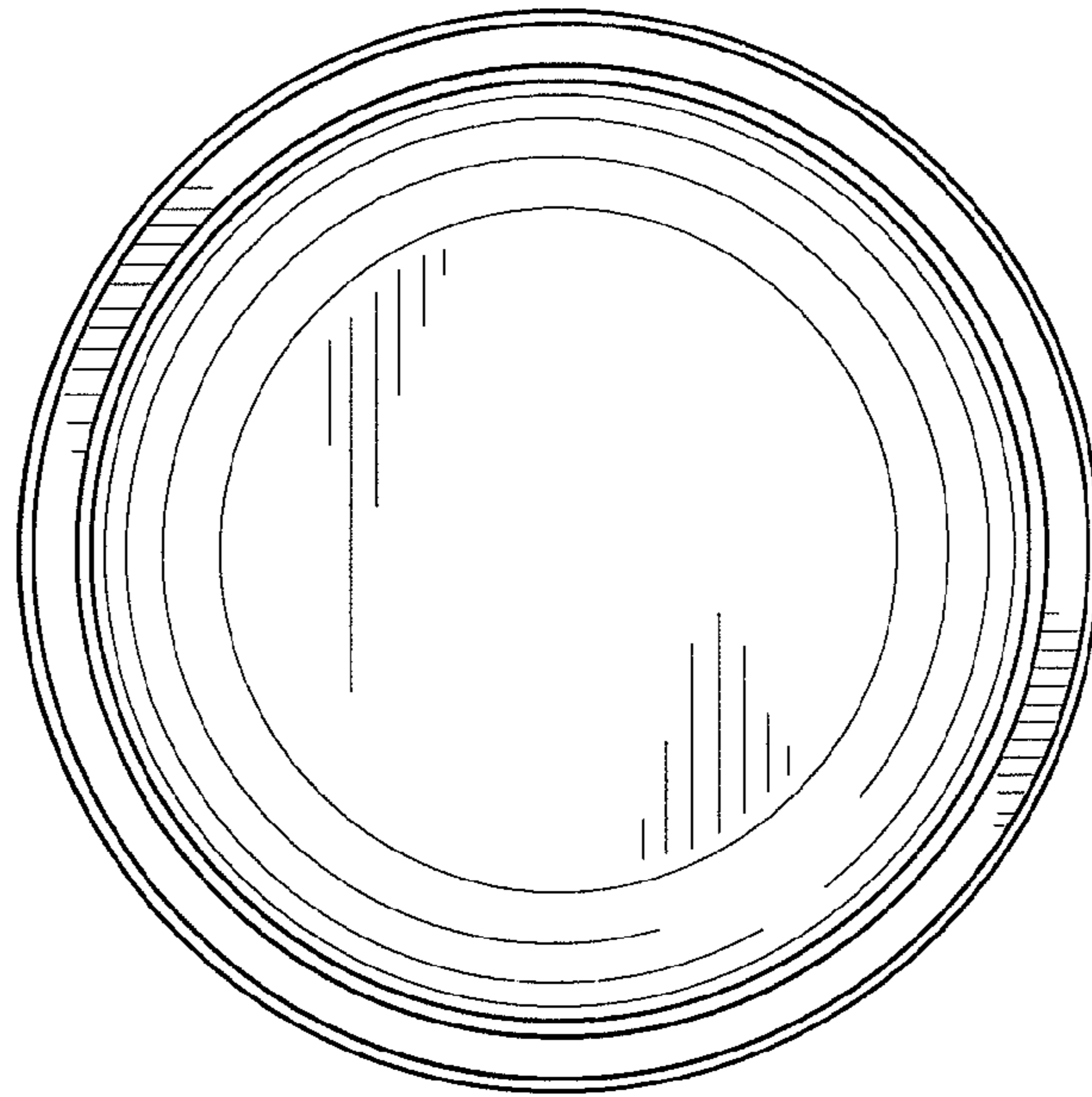


FIG. 14

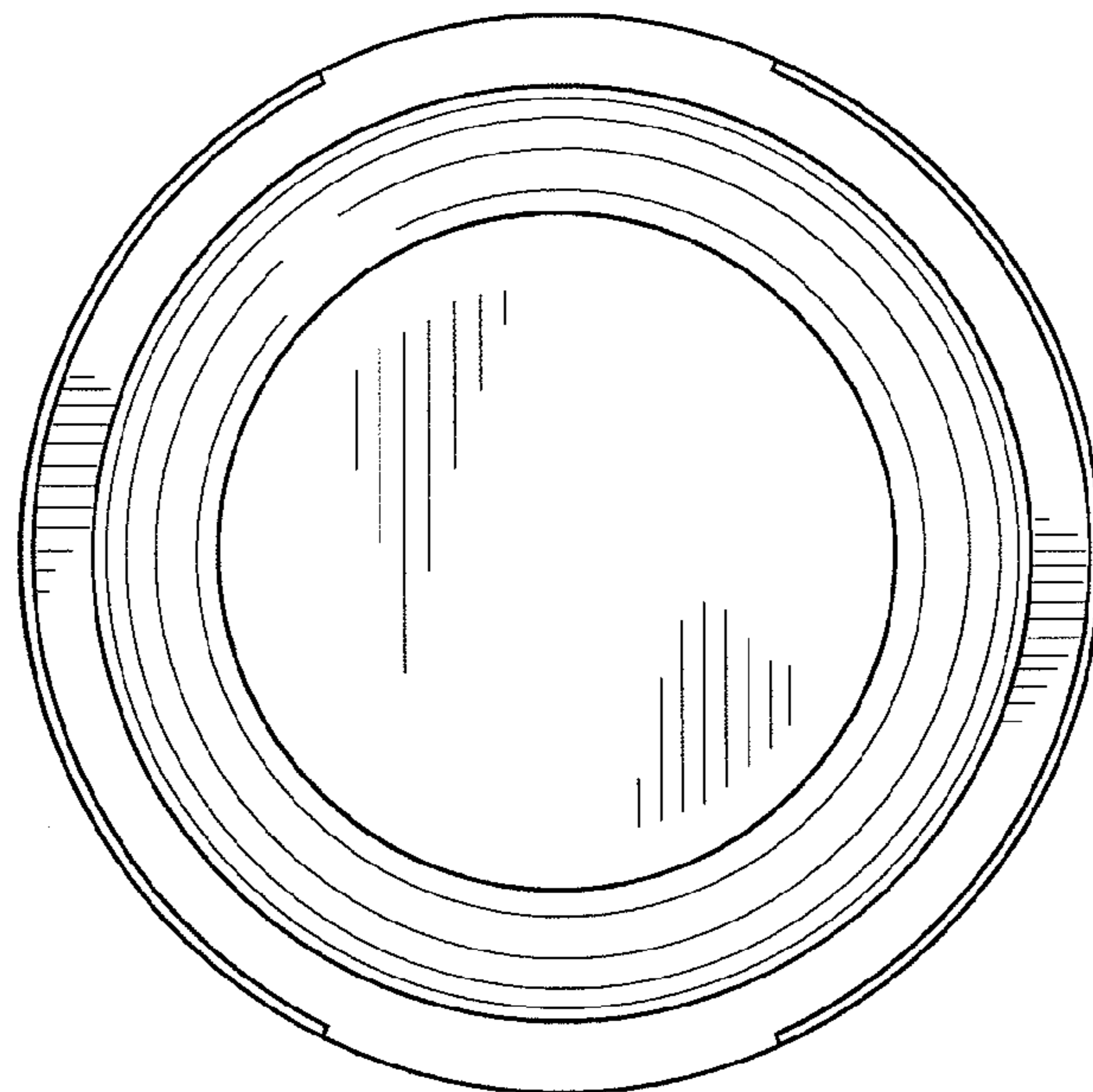


FIG. 15

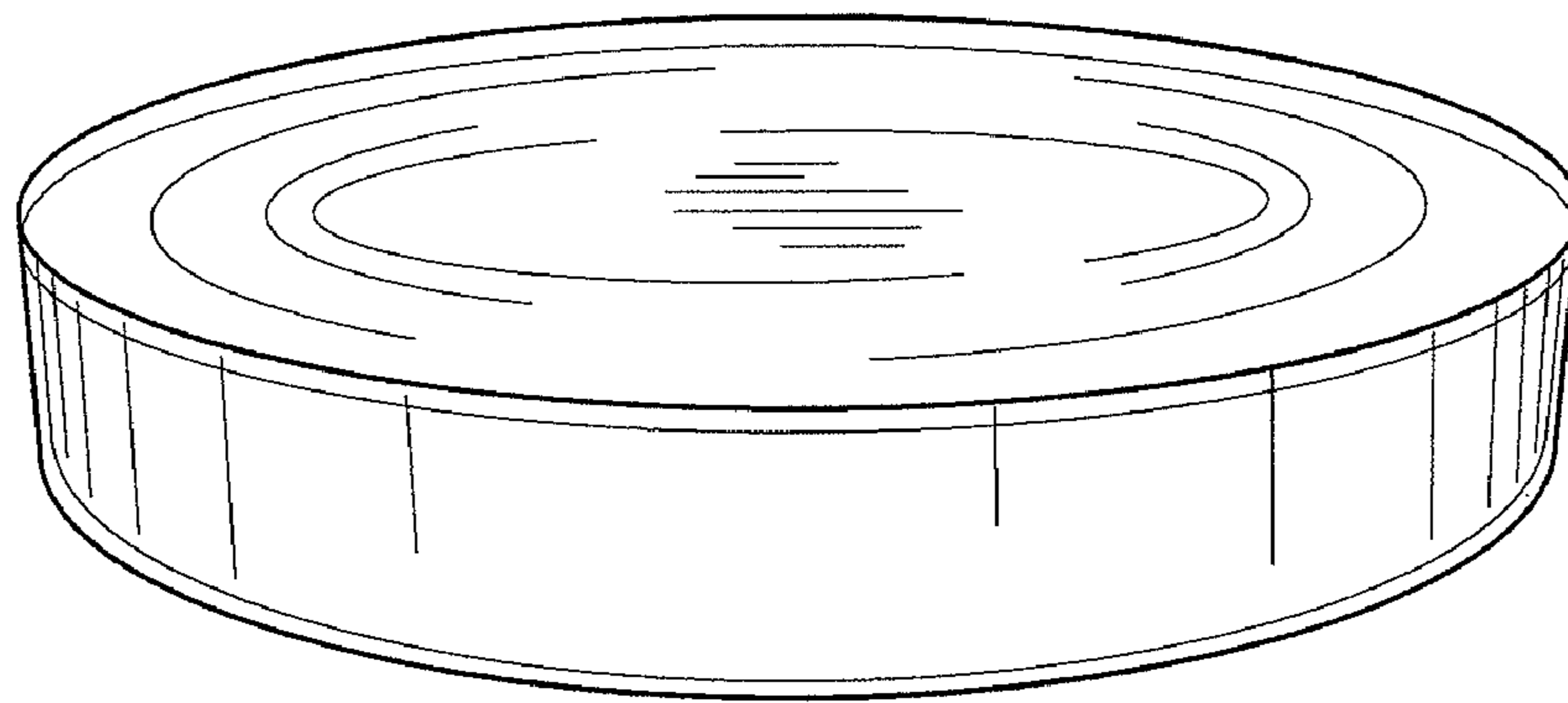


FIG. 16

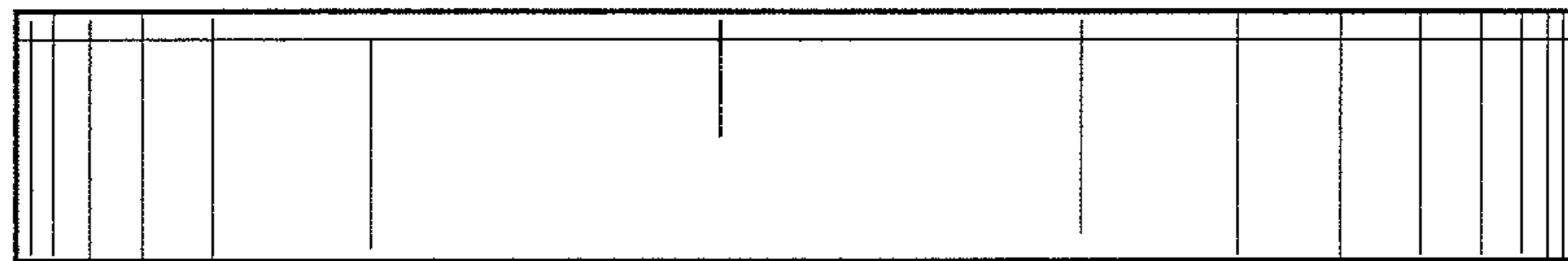


FIG. 17

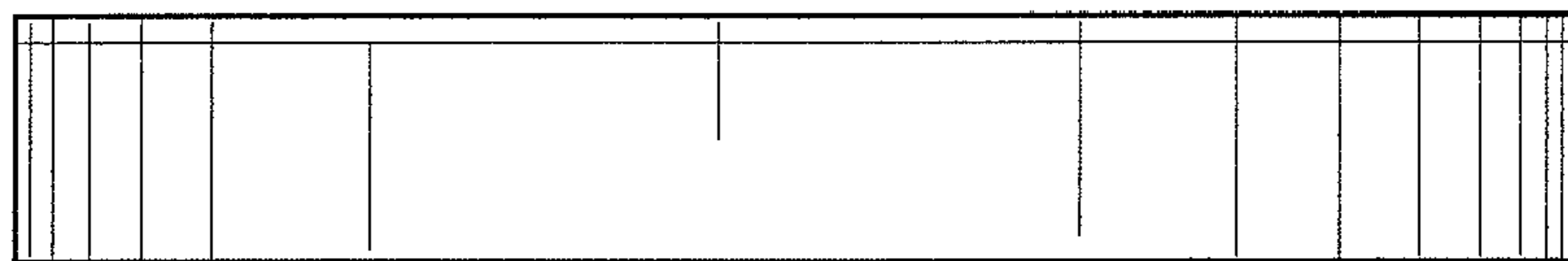


FIG. 18

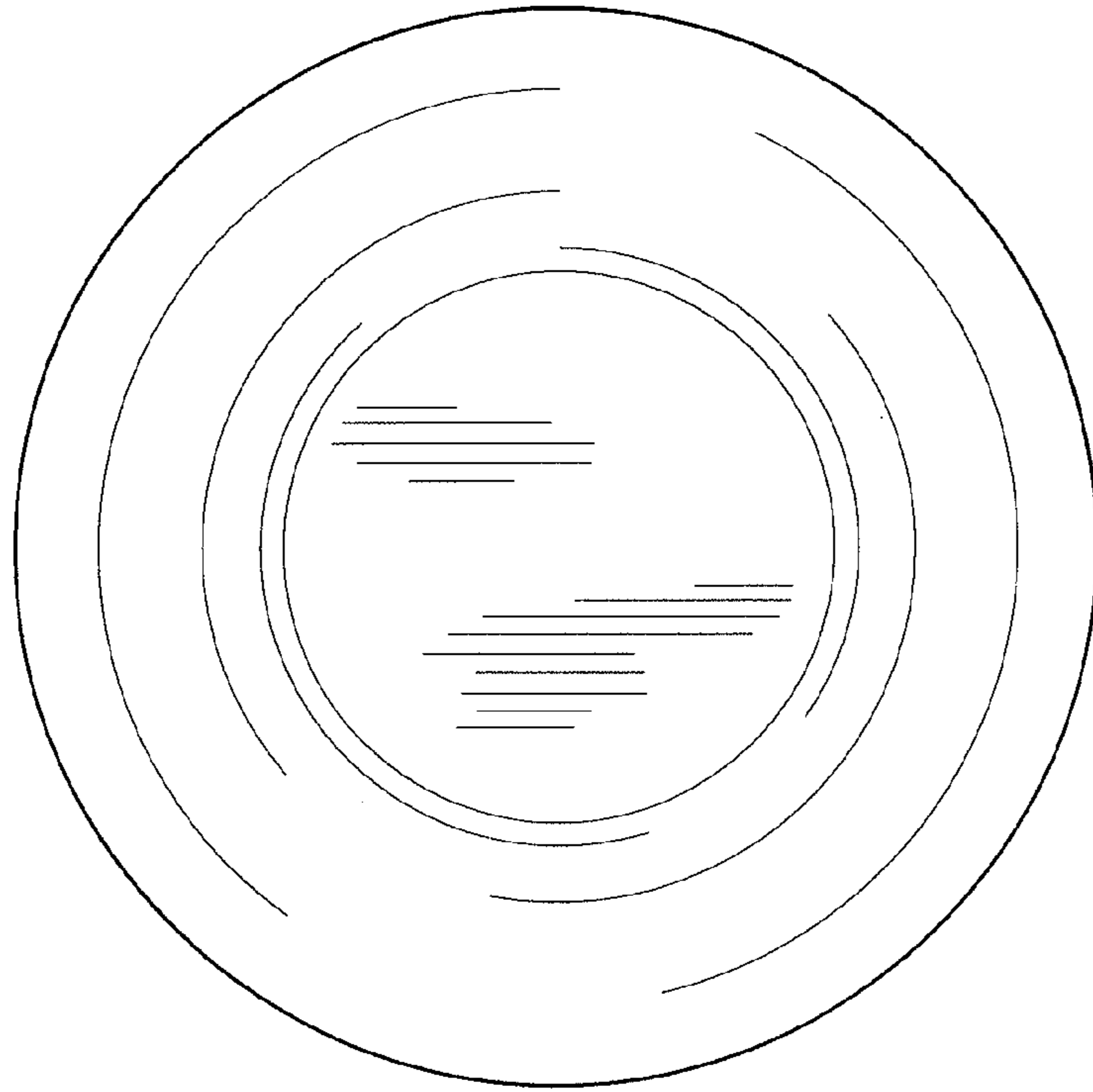


FIG. 19

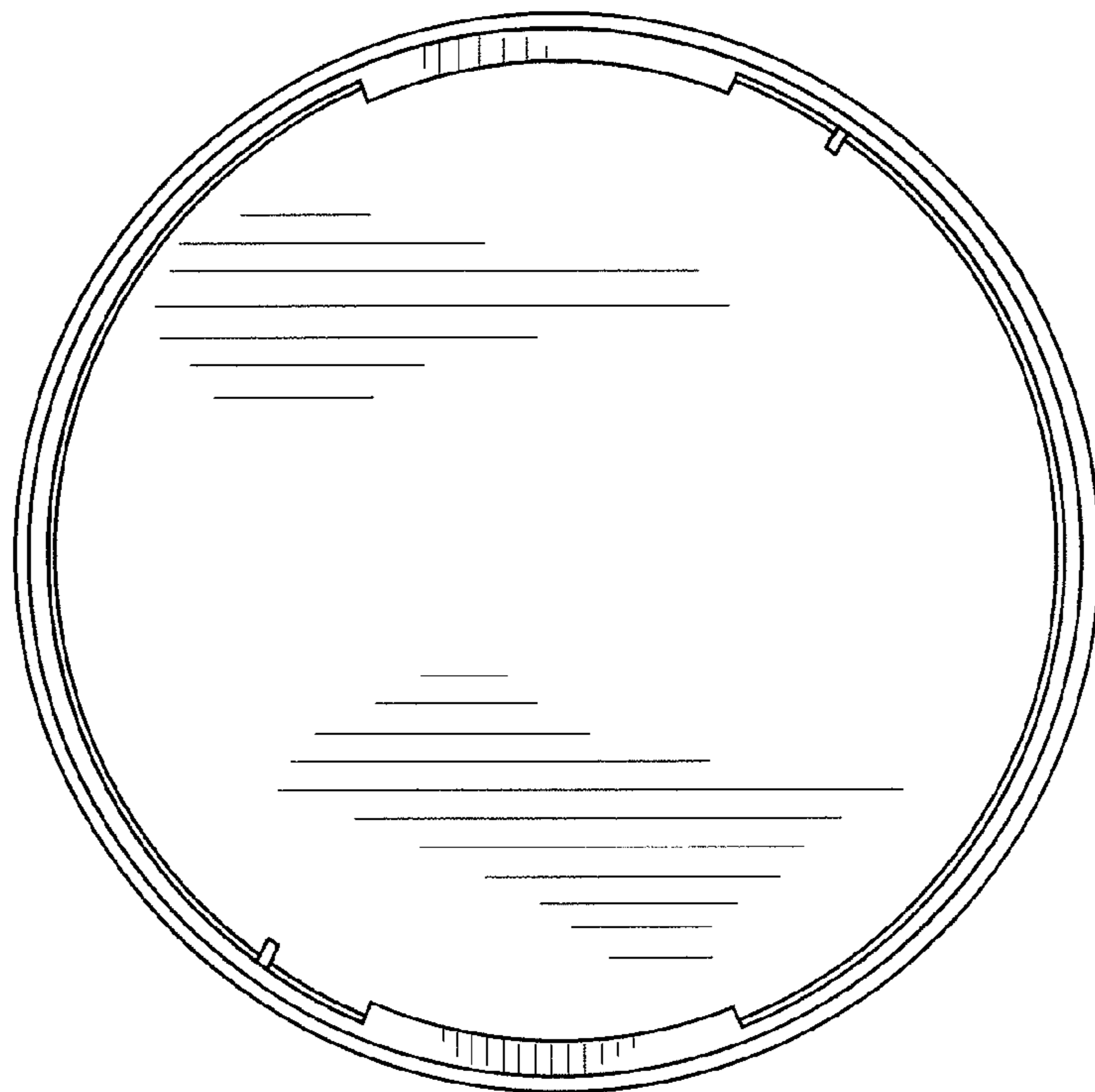


FIG. 20

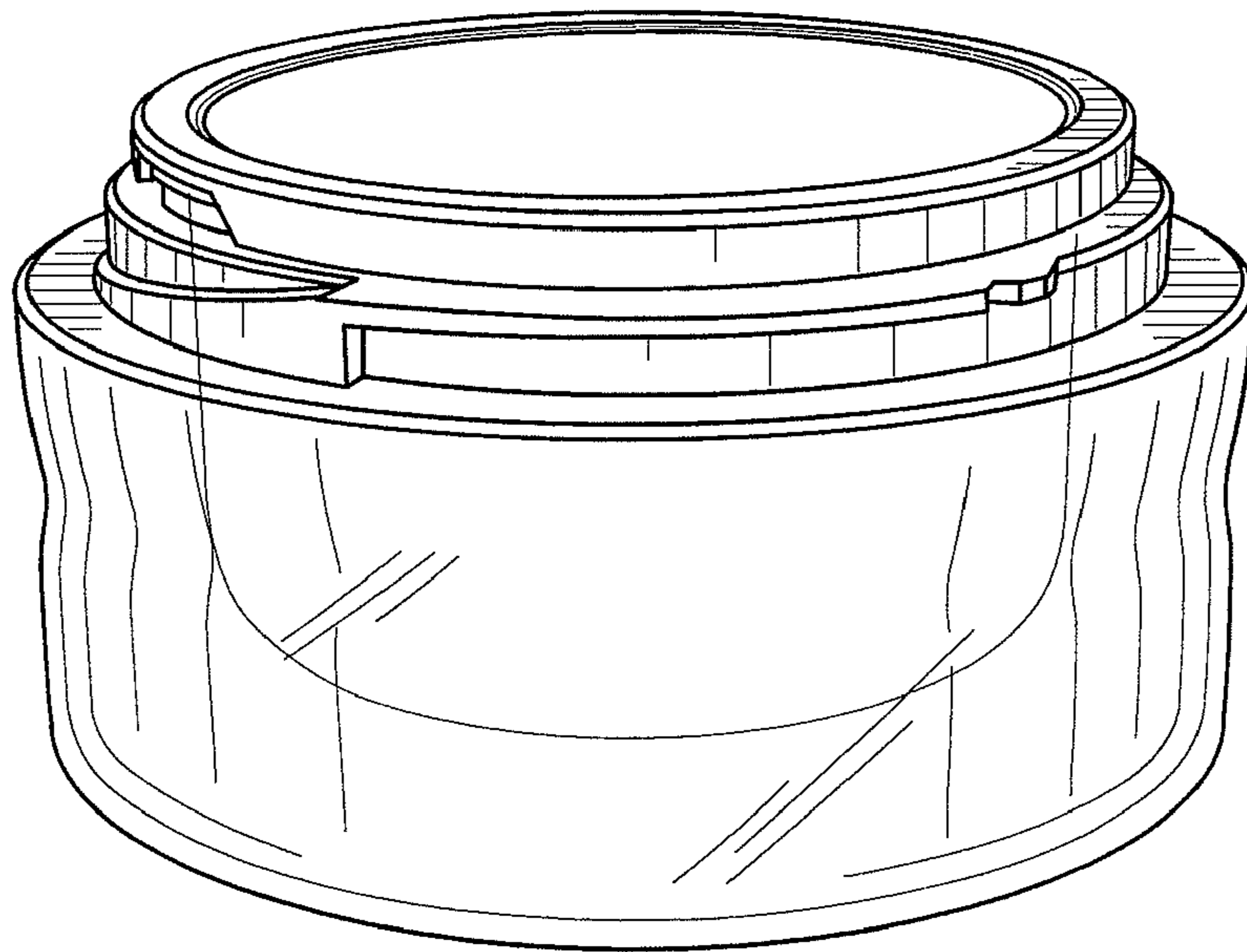


FIG. 21



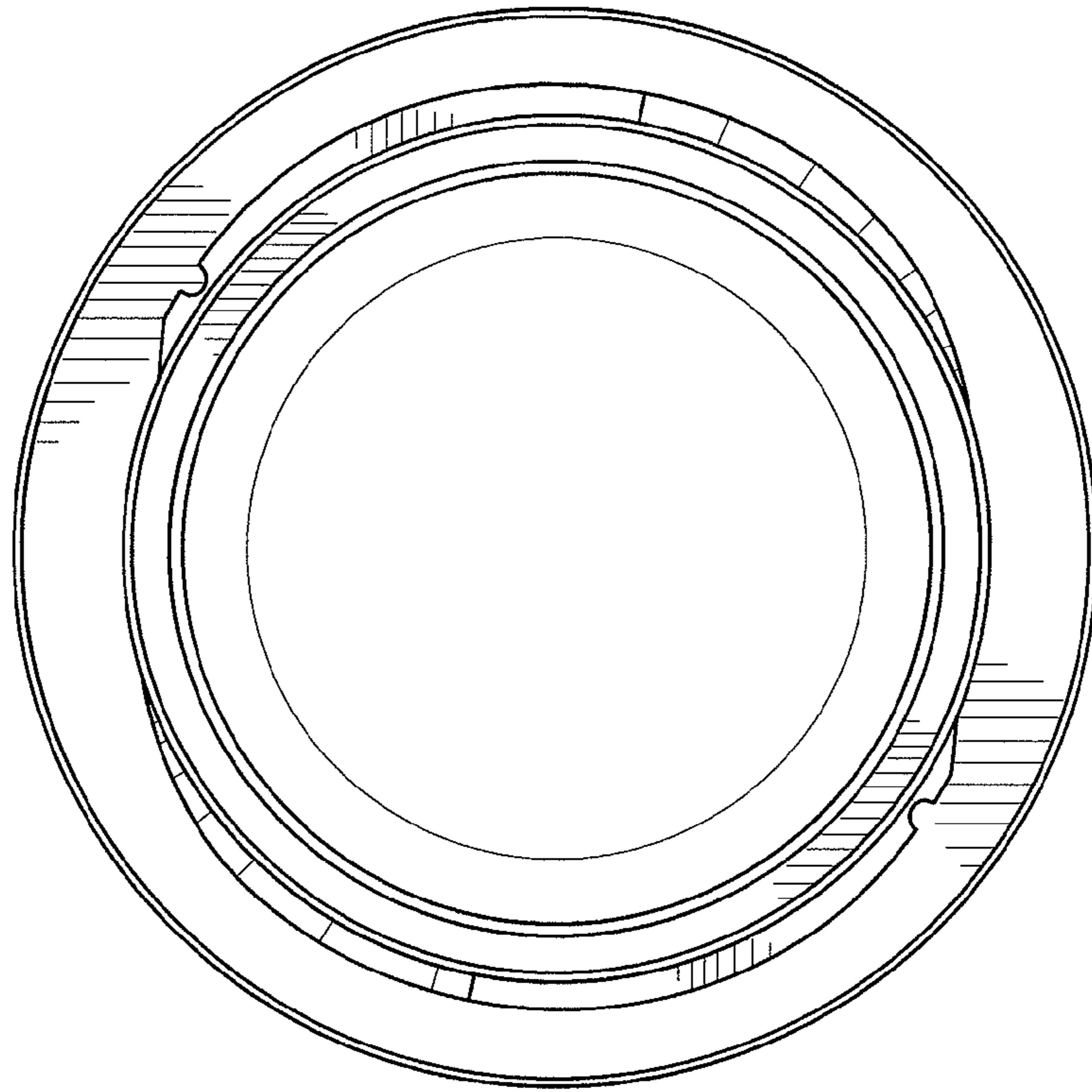


FIG. 22

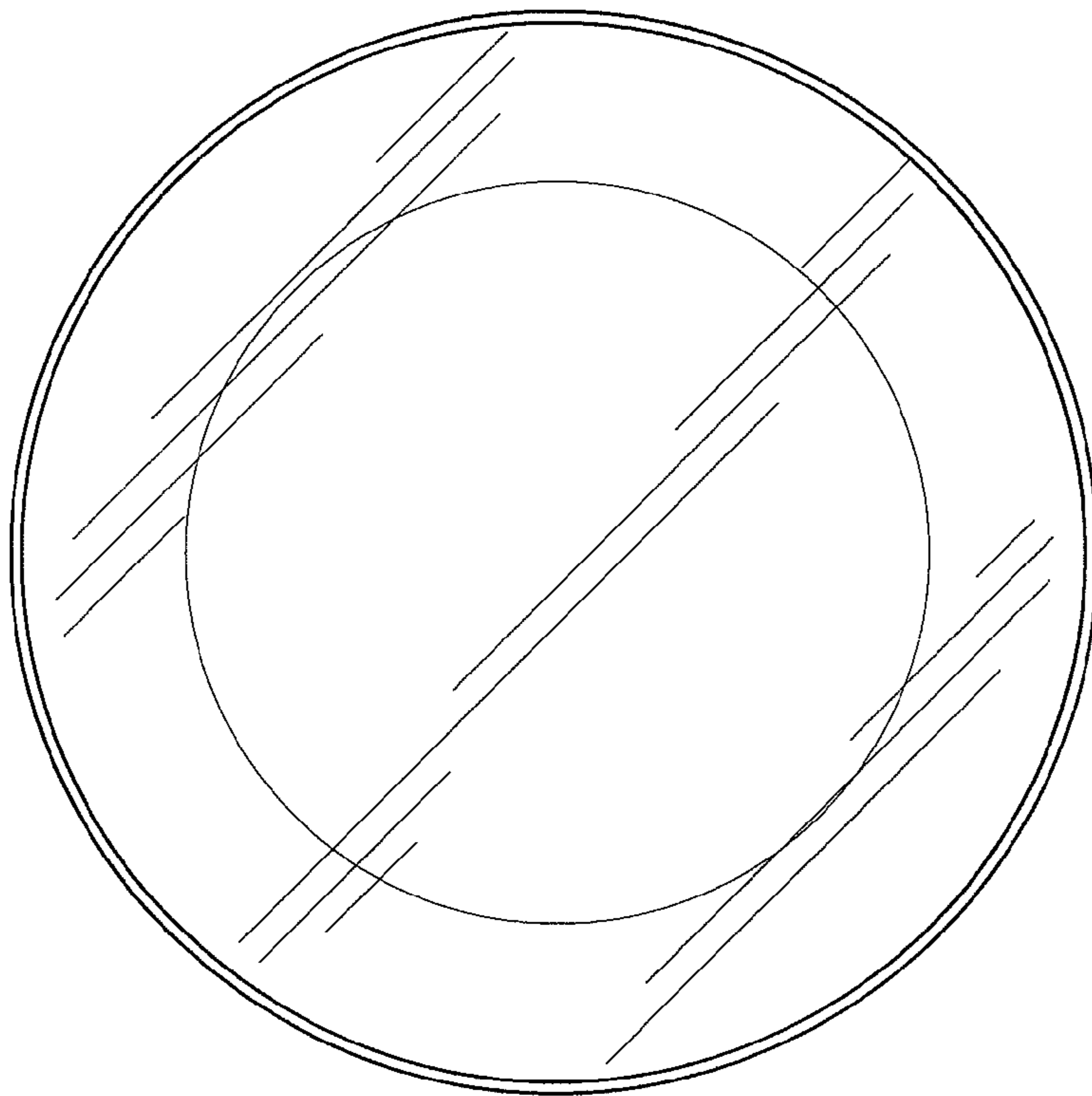


FIG. 23

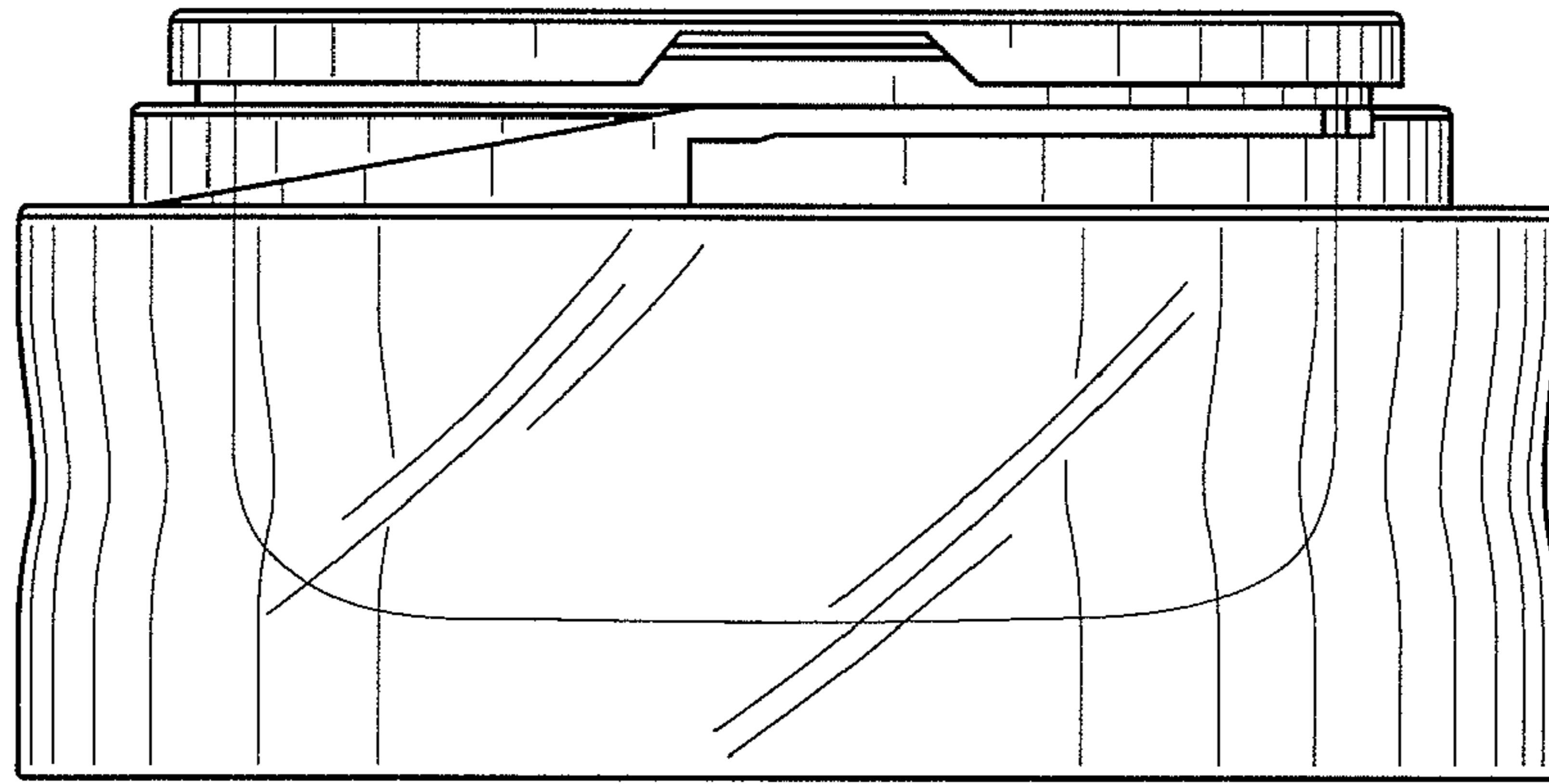


FIG. 24

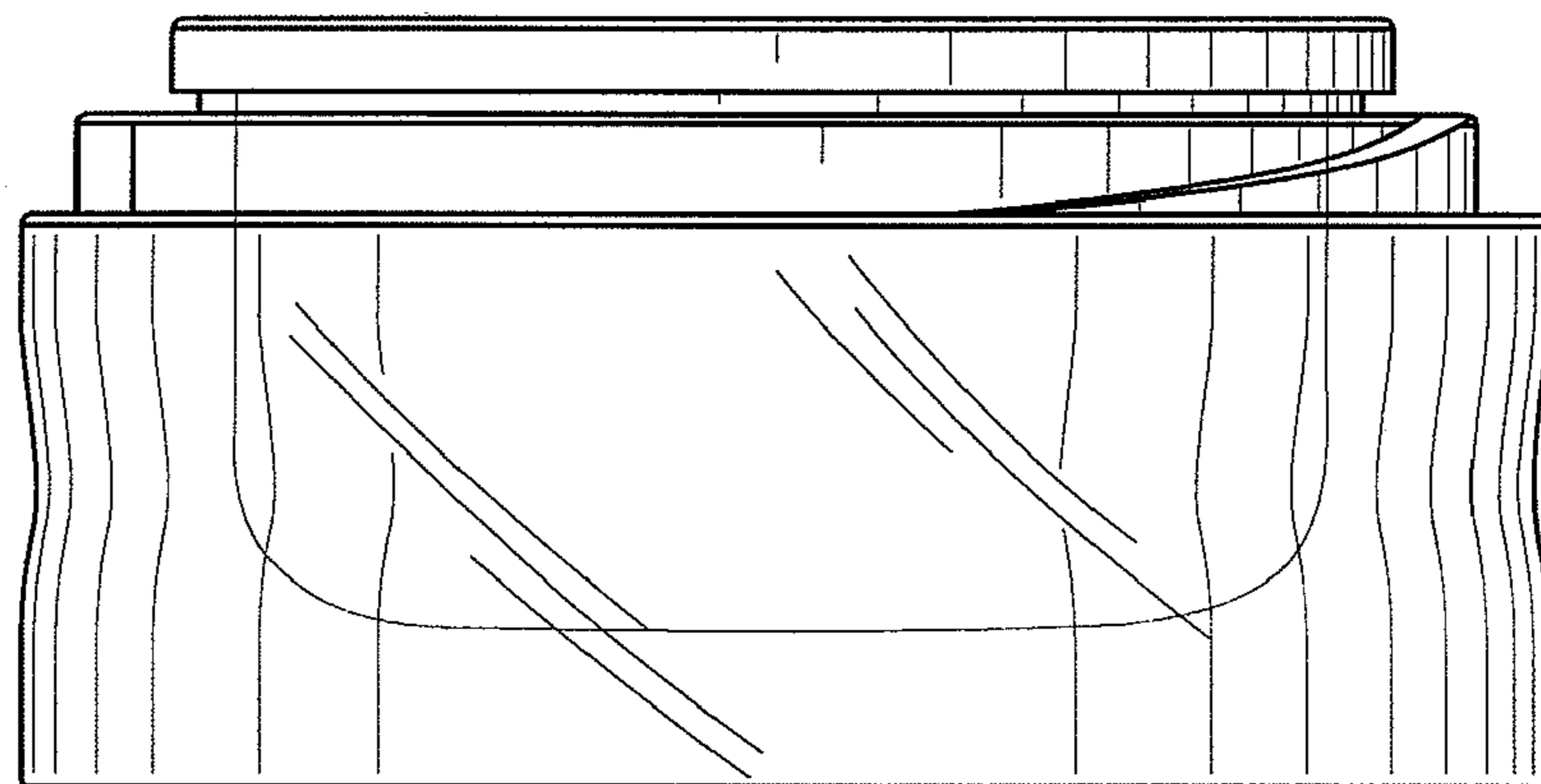


FIG. 25

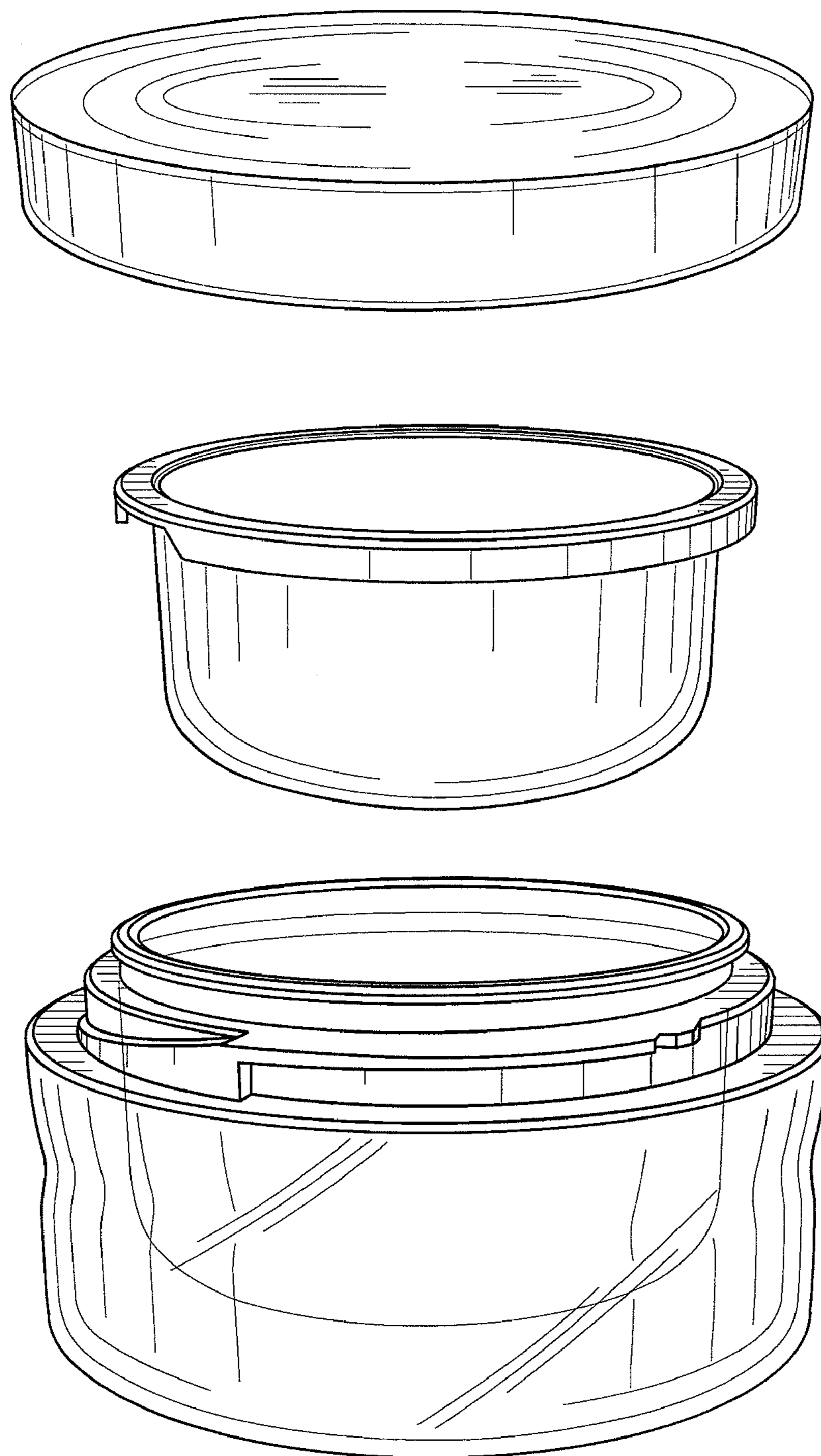


FIG. 26