



US00D634199S

(12) **United States Design Patent**
Taber et al.

(10) **Patent No.:** **US D634,199 S**
(45) **Date of Patent:** **** Mar. 15, 2011**

(54) **CLOSURE**

4,638,917 A 1/1987 Persch
4,991,729 A 2/1991 Hunter
5,000,992 A 3/1991 Kelch

(75) Inventors: **James M. Taber**, Aurora, IL (US);
Darren R. Neputy, Palos Hills, IL (US)

(Continued)

(73) Assignee: **Silgan White Cap LLC**, Downers
Grove, IL (US)

FOREIGN PATENT DOCUMENTS

AR 248252 A1 7/1995

(Continued)

(**) Term: **14 Years**

OTHER PUBLICATIONS

(21) Appl. No.: **29/362,583**

Silgan White Cap LLC Brochure, "Plasti-Twist TM Plus—38mm
VAJ", 2008.

(22) Filed: **May 27, 2010**

(51) **LOC (9) Cl.** **09-07**

(Continued)

(52) **U.S. Cl.** **D9/453**

(58) **Field of Classification Search** D9/651,
D9/453, 452, 450, 449, 446, 443, 435; 222/83;
220/277; 215/252, 216, 206, 222, 219

Primary Examiner — Susan Bennett Hattan
(74) *Attorney, Agent, or Firm* — Reinhart Boerner Van
Deuren s.c.

See application file for complete search history.

(56) **References Cited**

(57) **CLAIM**

We claim the ornamental design for a closure, as shown and
described.

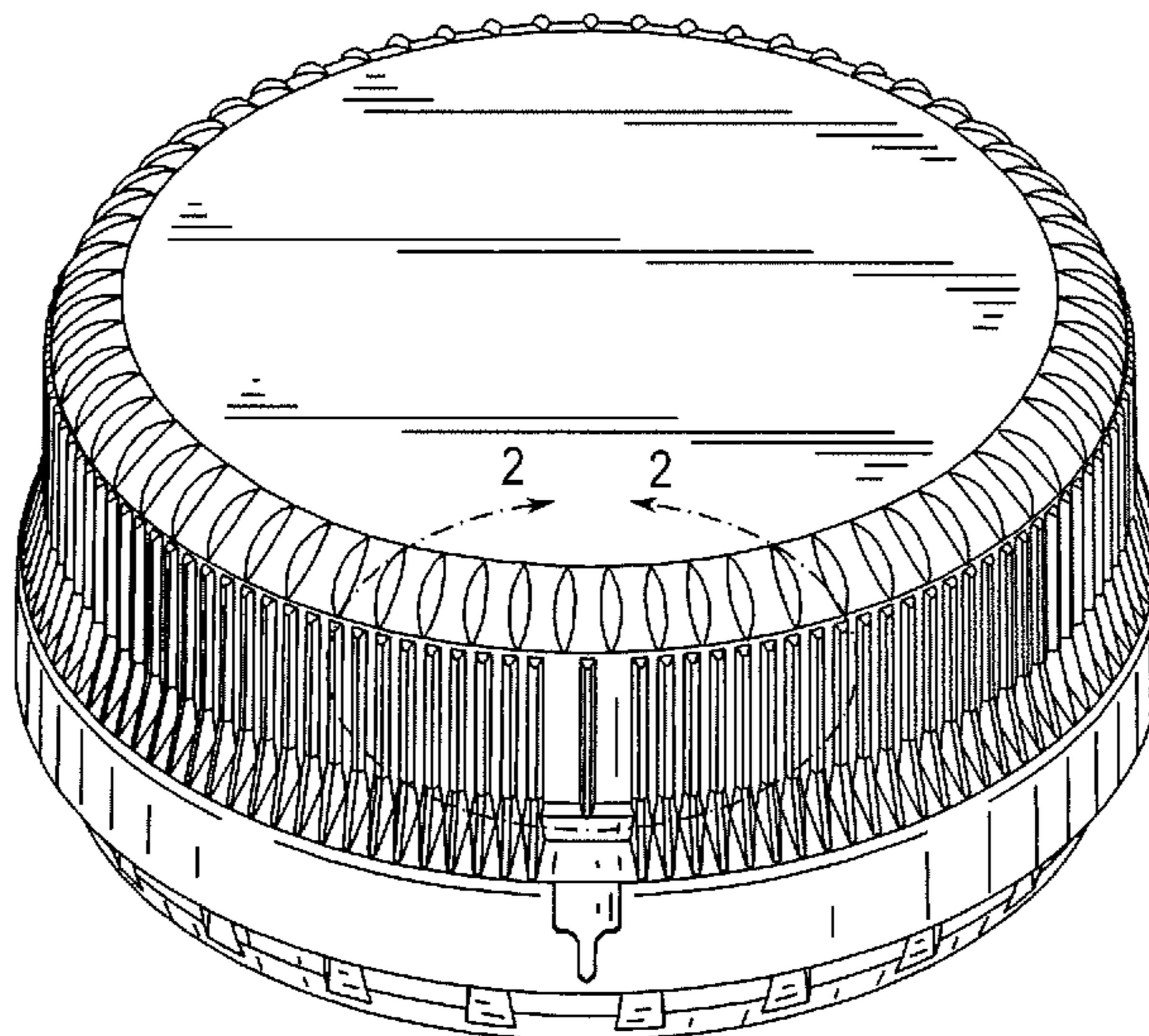
U.S. PATENT DOCUMENTS

1,495,722 A *	5/1924	Anderson	215/307
3,251,498 A	5/1966	Roy		
3,601,273 A	8/1971	Kutcher		
3,637,073 A	1/1972	Capuano		
3,796,338 A	3/1974	Wilton		
3,805,987 A	4/1974	Horvath		
3,871,544 A	3/1975	Peyser		
3,946,889 A	3/1976	Gach		
4,076,139 A	2/1978	Larson		
4,153,174 A	5/1979	Keeler		
4,157,143 A	6/1979	Doi		
4,278,180 A	7/1981	Willis		
4,352,436 A	10/1982	Chartier et al.		
RE31,496 E	1/1984	Keeler		
4,454,954 A	6/1984	Willis		
4,505,401 A	3/1985	Berglund		
4,540,100 A	9/1985	Willis		
4,550,845 A	11/1985	Guala		
4,573,601 A	3/1986	Berglund		
4,592,476 A	6/1986	Yasada		
4,597,500 A	7/1986	Stubbs		

DESCRIPTION

FIG. 1 is a perspective view of the claimed design;
FIG. 2 is an enlarged perspective view of a portion of the
claimed design, using line 2—2 as a boundary;
FIG. 3 is a front elevational view of the claimed design, the
rear elevational view being the same as the front elevational
view;
FIG. 4 is a top plan view of the claimed design;
FIG. 5 is a left side elevational view of the claimed design, the
right side elevational view being the same as the left side
elevational view; and,
FIG. 6 is a bottom plan view of the claimed design.
The broken lines in the drawings depict environmental sub-
ject matter only and form no part of the claimed design.

1 Claim, 3 Drawing Sheets



US D634,199 S

U.S. PATENT DOCUMENTS		
5,064,084	A	11/1991 McBride et al.
5,090,582	A	2/1992 Art et al.
5,129,530	A	7/1992 Fuchs
5,174,465	A	12/1992 Luch et al.
5,244,107	A	9/1993 Battegazzore
5,249,695	A	10/1993 Luch et al.
5,271,519	A	12/1993 Adams et al.
5,303,837	A	4/1994 Adams et al.
5,317,796	A	6/1994 Hunter
5,348,182	A	9/1994 Luch
5,348,183	A	9/1994 Luch et al.
5,348,184	A	9/1994 Adams et al.
5,351,845	A	10/1994 Hunter
5,397,013	A	3/1995 Adams et al.
5,402,901	A	4/1995 Carvalho et al.
D361,265	S *	8/1995 Doxey D9/435
5,445,283	A	8/1995 Krautkramer
5,460,283	A	10/1995 MaCartney et al.
5,487,481	A	1/1996 Sander et al.
5,512,228	A	4/1996 Adams et al.
5,597,082	A	1/1997 Luch et al.
5,609,262	A	3/1997 Trout
5,673,809	A	10/1997 Ohmi et al.
5,676,269	A	10/1997 Blake et al.
5,678,719	A	10/1997 Adams et al.
5,680,945	A	10/1997 Sander et al.
5,893,475	A	4/1999 May
D413,202	S	8/1999 Schmitt et al.
D418,756	S	1/2000 Reidenbach
D418,757	S	1/2000 Reidenbach
6,039,198	A	3/2000 Wolfe et al.
6,123,212	A	9/2000 Russell et al.
6,149,023	A	11/2000 Palmer
6,182,845	B1	2/2001 Wolfe et al.
6,199,696	B1	3/2001 Lytle et al.
6,283,318	B1	9/2001 Lee
D458,138	S *	6/2002 Fuchs D9/453
6,431,385	B1	8/2002 Palmer
D465,731	S *	11/2002 Brant et al. D9/453
6,557,714	B2	5/2003 Babcock et al.
6,646,864	B2	11/2003 Richardson
6,733,852	B2	5/2004 Littlejohn et al.
D506,359	S	6/2005 Zettle et al.
D513,181	S *	12/2005 Bloom et al. D9/453
6,995,976	B2	2/2006 Richardson
7,011,221	B2	3/2006 Smith et al.
D525,125	S	7/2006 King
D525,523	S	7/2006 King
7,077,278	B2	7/2006 Dubach
7,158,376	B2	1/2007 Richardson et al.
7,180,735	B2	2/2007 Thomas et al.
D538,654	S	3/2007 Seidita
7,207,453	B2	4/2007 Rossi
D542,654	S	5/2007 Szczesniak
D542,655	S	5/2007 Szczesniak
D542,656	S	5/2007 Szczesniak
7,230,823	B2	6/2007 Richardson et al.
7,258,905	B2	8/2007 Whitmore et al.
7,312,984	B2	12/2007 Thomas et al.
7,314,146	B2	1/2008 Mavin
D573,022	S *	7/2008 Berman D9/453
D574,240	S	8/2008 Szczesniak
D587,115	S	2/2009 Capretta et al.
D592,954	S *	5/2009 Capretta et al. D9/453
7,527,161	B2	5/2009 Rodriguez et al.
D597,793	S	8/2009 Krueger et al.
7,575,121	B2	8/2009 Ooka et al.
7,609,512	B2	10/2009 Richardson et al.
D603,222	S	11/2009 Krueger et al.
7,663,879	B2	2/2010 Richardson et al.
7,688,580	B2	3/2010 Richardson et al.
7,721,911	B2	5/2010 Chou
2002/0122907	A1	9/2002 Whitmore et al.
2002/0175171	A1	11/2002 Stewart et al.
2003/0034351	A1	2/2003 Van Handel et al.
2003/0176548	A1	9/2003 Goldman
2004/0007556	A1	1/2004 Manera et al.
2004/0026354	A1	2/2004 Folchini et al.

2005/0092750	A1	5/2005 Lohrman et al.
2005/0145638	A1	7/2005 Van Handel et al.
2006/0032831	A1	2/2006 Major
2006/0102584	A1	5/2006 Wellman
2006/0124575	A1	6/2006 Mavin et al.
2006/0231519	A1	10/2006 Py et al.
2007/0034590	A1	2/2007 Hidding
2007/0095835	A1	5/2007 Lohrman et al.
2008/0067142	A1	3/2008 Druitt
2008/0110848	A1	5/2008 Lantos et al.
2008/0169261	A1	7/2008 Druitt et al.
2008/0179276	A1	7/2008 Lohrman et al.
2008/0251489	A1	10/2008 Livingston et al.
2008/0251490	A1	10/2008 Livingston et al.
2008/0272083	A1	11/2008 Druitt
2008/0272084	A1	11/2008 Lohrman et al.
2008/0314000	A1	12/2008 Druitt
2009/0009945	A1	1/2009 Johnson et al.
2009/0020494	A1	1/2009 Seelhofer
2009/0034169	A1	2/2009 Richardson et al.
2009/0039083	A1	2/2009 Stull et al.
2010/0008028	A1	1/2010 Richardson et al.
2010/0072163	A1	3/2010 Krause
2010/0140268	A1	6/2010 Lohrman

FOREIGN PATENT DOCUMENTS		
AT	319792	B 1/1975
AU	653779	B2 10/1994
AU	664730	B2 11/1995
AU	666683	B2 2/1996
AU	668541	B2 5/1996
AU	676009	B2 2/1997
AU	696551	B2 9/1998
AU	701983	B2 2/1999
AU	752149	B2 9/2002
AU	2002336000	A1 10/2002
AU	761701	B2 6/2003
AU	2003239915	A1 12/2003
AU	2004243320	A1 12/2004
AU	2005275107	A1 2/2006
AU	2005279311	A1 3/2006
AU	2005209675	A1 6/2006
AU	2005331483	A1 11/2006
AU	2006332049	A1 8/2007
AU	2006332049	A2 8/2007
AU	2008243010	A1 10/2008
AU	2006332049	A8 3/2009
AU	2004243320	B2 3/2010
BE	745201	A1 7/1970
BE	783313	A1 11/1972
BG	62607	B1 3/2000
BR	8500825	A 10/1985
BR	9007401	A 6/1992
BR	9105879	A 11/1992
BR	9201556	A 12/1992
BR	9206669	A 5/1995
BR	9406119	A 12/1995
BR	9305765	A 1/1997
BR	9607940	A 6/1998
BR	9905736	A 9/2000
BR	PI0514215	A 6/2008
BR	PI0514822	A 6/2008
BR	PI0607233	A2 8/2009
CA	920090	A1 1/1973
CA	962628	A1 2/1975
CA	1010821	A1 5/1977
CA	1113886	A1 12/1981
CA	1132099	A1 9/1982
CA	2053898	A1 12/1990
CA	2071531	A1 2/1992
CA	1314839	C 3/1993
CA	2128526	A1 7/1993
CA	2126870	A1 8/1993
CA	2107041	A1 8/1994
CA	2107055	A 8/1994
CA	2151923	A1 8/1994
CA	2215927	A1 9/1996
CA	2379574	A1 3/2001
CA	2354684	A1 2/2002

US D634,199 S

Page 3

CA	2121890	C	1/2003	EP	0623522	A1	11/1994
CA	2392801	A1	1/2003	EP	0621848	A4	5/1995
CA	2392828	A1	1/2003	EP	0502716	A3	8/1995
CA	2527007	A1	12/2004	EP	0669261	A1	8/1995
CA	2565971	A1	6/2006	EP	0682624	A1	11/1995
CA	2602222	A1	7/2006	EP	0682625	A1	11/1995
CA	2580467	A1	11/2006	EP	0511502	B1	4/1996
CA	2379574	C	9/2007	EP	0608378	A4	9/1997
CA	2683991	A1	10/2008	EP	0815028	A1	1/1998
CA	2354684	C	3/2009	EP	0682625	B1	12/1998
CA	2392801	C	12/2009	EP	0608378	B1	12/1999
CA	2527007	C	12/2009	EP	0682624	B1	4/2000
CH	519422	A	2/1972	EP	0815028	A4	5/2001
CH	640476	A5	1/1984	EP	0502716	B1	7/2001
CH	669367	A5	3/1989	EP	1206396	A1	5/2002
CH	698861	B1	9/2009	EP	1327588	A1	7/2003
CN	1117722	A	8/1994	EP	0815028	B1	11/2003
CN	1113201	A	12/1995	EP	1397296	A1	3/2004
CN	1117723	A	2/1996	EP	1206396	B1	8/2005
CN	1131635	A	9/1996	EP	1397296	B1	9/2005
CN	1040311	C	10/1998	EP	1397296	B8	11/2005
CN	1216965	A	5/1999	EP	1636103	A2	3/2006
CN	1070143	C	8/2001	EP	1659071	A2	5/2006
CN	1080688		3/2002	EP	1659071	A3	6/2006
CN	1367751	A	9/2002	EP	1679267	A2	7/2006
CN	1166533	C	9/2004	EP	1679267	A3	7/2006
CN	1799946	A	7/2006	EP	1781548	A1	5/2007
CN	1816480	A	8/2006	EP	1789336	A1	5/2007
CN	1984821	A	6/2007	EP	1799573	A1	6/2007
CN	101001788	A	7/2007	EP	1799574	A1	6/2007
CN	101044065	A	9/2007	EP	1828000	A1	9/2007
CN	101044066	A	9/2007	EP	1799574	B1	1/2008
CN	101044067	A	9/2007	EP	1879807	A2	1/2008
CN	101142126	A	3/2008	EP	1888424	A2	2/2008
CN	101395064	A	3/2009	EP	1789336	B1	8/2008
CN	101535146	A	9/2009	EP	1781548	B1	10/2008
CO	4410224	A1	1/1997	EP	1984261	A1	10/2008
DE	1928684	A1	8/1970	EP	1985549	A1	10/2008
DE	6922518	U	10/1970	EP	1327588	B1	11/2008
DE	2222655	A1	11/1972	EP	1799573	B1	12/2008
DE	2350973	A1	4/1974	EP	1828000	B1	1/2009
DE	130913	B	5/1975	EP	1659071	B1	2/2009
DE	2813454	A1	4/1979	EP	1984261	B1	6/2009
DE	3100956	C2	8/1984	EP	2065314	A2	6/2009
DE	3420013	A1	12/1984	EP	2065314	A3	9/2009
DE	2350973	C2	4/1985	EP	2144700	A2	1/2010
DE	3421820	A1	12/1985	ES	243498	U	9/1979
DE	4314754	A1	11/1994	ES	255671	U	10/1981
DE	4390357	T0	6/1995	ES	286909	U	11/1985
DE	69415655	T2	6/1999	ES	292865	U	6/1986
DE	69424149	T2	11/2000	ES	296723	U	12/1987
DE	69630596	T2	9/2004	ES	295793	U	11/1997
DE	60021731	T2	4/2006	ES	2127378	T3	4/1999
DE	602005004565	T2	1/2009	ES	2146252	T3	6/2000
DK	135529	B	5/1977	ES	2208734	T3	6/2004
DK	267684	A	12/1984	ES	2318091	T3	5/2005
DK	85885	A	9/1985	ES	2246899	T3	3/2006
DK	161585	B	7/1991	ES	2247388	T3	3/2006
DK	1397296	T3	12/2005	ES	2302235	T3	7/2008
DK	1789336	T3	1/2009	ES	2313457	T3	3/2009
EA	200700511	A1	8/2007	ES	2314687	T3	3/2009
EA	009267	B1	12/2007	ES	2319554	T3	5/2009
EA	200801786	A1	2/2009	ES	2327462	T3	10/2009
EA	013494	B1	4/2010	FI	842106	A	12/1984
EP	0154611	A2	9/1985	FI	78655	B	5/1989
EP	0156522	A1	10/1985	FI	78655	C	9/1989
EP	0154611	A3	5/1987	FI	952691	A	8/1995
EP	0225394	A1	6/1987	FR	2041038	A1	1/1971
EP	0156522	B1	1/1988	FR	1237739	A1	12/1972
EP	0154611	B1	5/1990	FR	2318083	A1	2/1977
EP	0474772	A1	3/1992	FR	2403947	A1	4/1979
EP	0474772	A4	5/1992	FR	2474450	A1	7/1981
EP	0497969	A1	8/1992	FR	2546853	A1	12/1984
EP	0502716	A2	9/1992	FR	2701248	A1	8/1994
EP	0511502	A2	11/1992	FR	2706426	A	12/1994
EP	0497969	A4	3/1993	GB	1091796	A	11/1967
EP	0511502	A3	2/1994	GB	1238767	A	7/1971
EP	0608378	A1	8/1994	GB	1394363	A	5/1975
EP	0621848	A1	11/1994	GB	1433208	A	4/1976

US D634,199 S

Page 4

GB	1595286	A	8/1981
GB	2069470	A	8/1981
GB	2140787	A	12/1984
GB	2383995	A	7/2003
GB	2383995	B	12/2005
GC	0000139	A	6/2005
GR	73515	A1	8/1984
HU	223327	B1	6/2004
IE	920680	A1	9/1992
IL	33746	A	4/1973
IL	39378	A	10/1974
IT	1054208	B	11/1981
IT	1095960	B	8/1985
IT	1173373	B	6/1987
IT	1176222	B	8/1987
IT	1194830	B	9/1988
IT	1247435	B	12/1994
JP	54054550	U	4/1979
JP	56142158	A	11/1981
JP	59221248	A	12/1984
JP	60034346		2/1985
JP	60217957	A	10/1985
JP	05124669	A	5/1993
JP	05196141	A	8/1993
JP	07237646	A	9/1995
JP	8509188	T	10/1996
JP	8509189	T	10/1996
JP	11502491	T	3/1999
JP	2006193221	A	7/2006
KR	1020070061852	A	6/2007
KR	20070086754	A	8/2007
MX	146402	A	6/1982
MX	9707176	A	3/1998
MX	PA02001135	A	10/2002
MX	PA05012719	A	2/2006
MX	2007008927	A	10/2009
NL	7001222	A	8/1970
NL	7206295	A	11/1972
NL	171687	C	5/1983
NL	8401679	A	1/1985
PL	173080	B1	1/1998
PL	174688	B1	8/1998
PL	180383	B1	1/2001
PT	1799574	E	4/2008
PT	1789336	E	11/2008
RO	118745	B	10/2003
RU	2094343		10/1997
RU	2126351	C1	2/1999
RU	2139230	C1	10/1999
RU	2007108774	A	9/2008

RU	2007128569	A	3/2009
SE	376746	B	6/1975
SE	8100145	L	7/1981
SE	8303099	L	12/1984
SE	8403493	L	2/1985
SE	444425	B	4/1986
SE	460893	B	12/1989
WO	WO 9014945	A1	12/1990
WO	WO 9203350	A1	3/1992
WO	WO 9215496	A1	9/1992
WO	WO 9308092	A1	4/1993
WO	WO 9312983		7/1993
WO	WO 9313998	A1	7/1993
WO	WO 9314001	A1	7/1993
WO	WO 9314988	A1	8/1993
WO	WO 9315970	A1	8/1993
WO	WO 9418084	A1	8/1994
WO	WO 9418085	A1	8/1994
WO	WO 9620872	A2	7/1996
WO	WO 9629257	A1	9/1996
WO	WO 9620872	A3	10/1996
WO	WO 9733802	A1	9/1997
WO	WO 0115988	A1	3/2001
WO	WO 02076839	A2	10/2002
WO	WO 02102678	A1	12/2002
WO	WO 02076839	A3	1/2003
WO	WO 03099672	A1	12/2003
WO	WO 2004106172	A2	12/2004
WO	WO 2004106172	A3	2/2005
WO	WO 2006019949	A1	2/2006
WO	WO 2006024550	A1	3/2006
WO	WO 2006024656	A1	3/2006
WO	WO 2006060098	A1	6/2006
WO	WO 2006097151	A2	9/2006
WO	WO 2006117024	A1	11/2006
WO	WO 2006097151	A3	6/2007
WO	WO 2007085106	A1	8/2007
WO	WO 2007117228	A2	10/2007
WO	WO 2007117228	A3	9/2008
WO	WO 2008130929	A2	10/2008
WO	WO 2008130929	A3	12/2009
WO	WO 2010036416	A	4/2010
ZA	200300238	A	8/2003

OTHER PUBLICATIONS

Silgan White Cap LLC Brochure, "Plasti-Twist™ Plus—43mm VLD/VMD", 2008.

* cited by examiner

FIG. 1

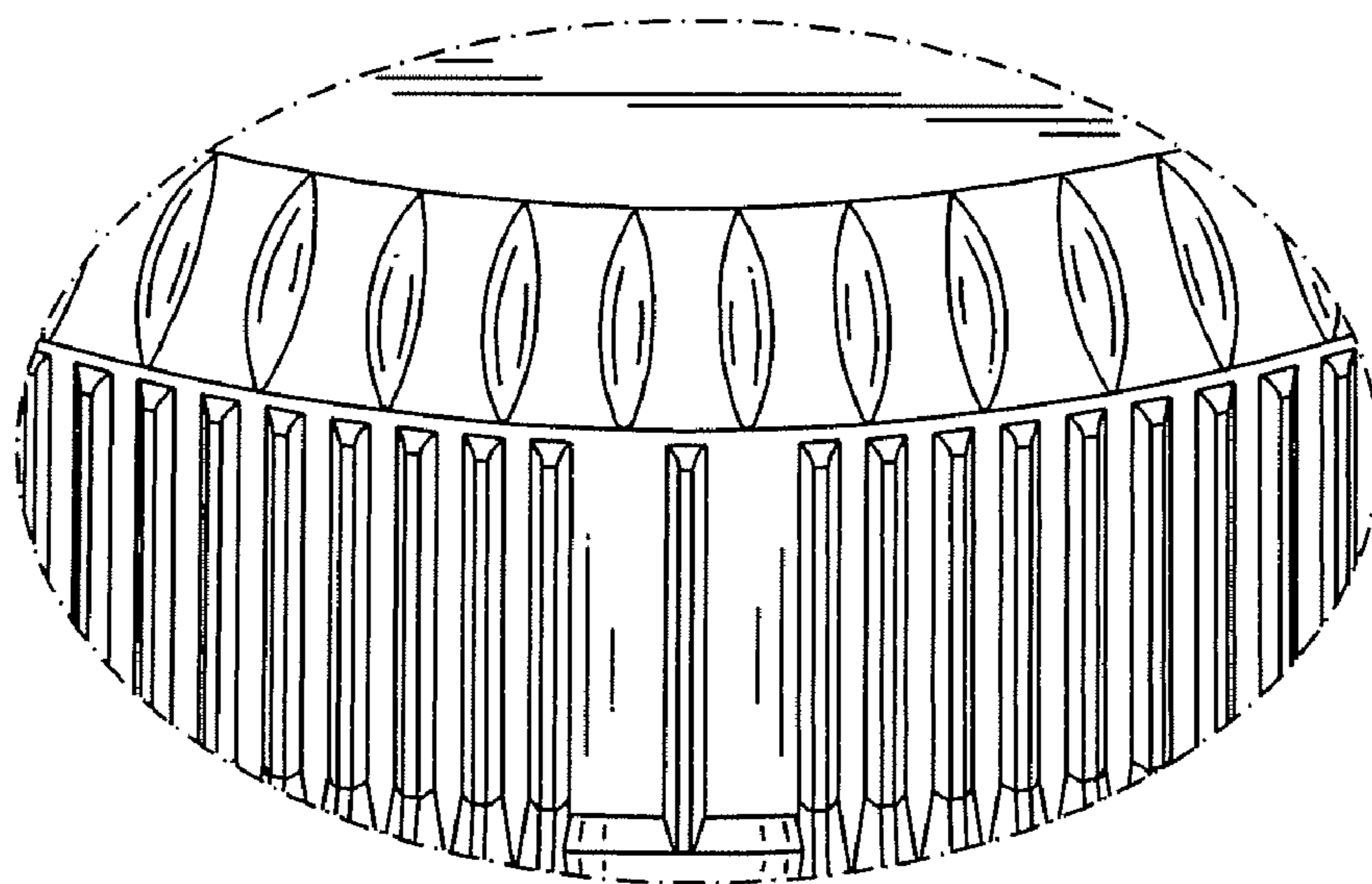
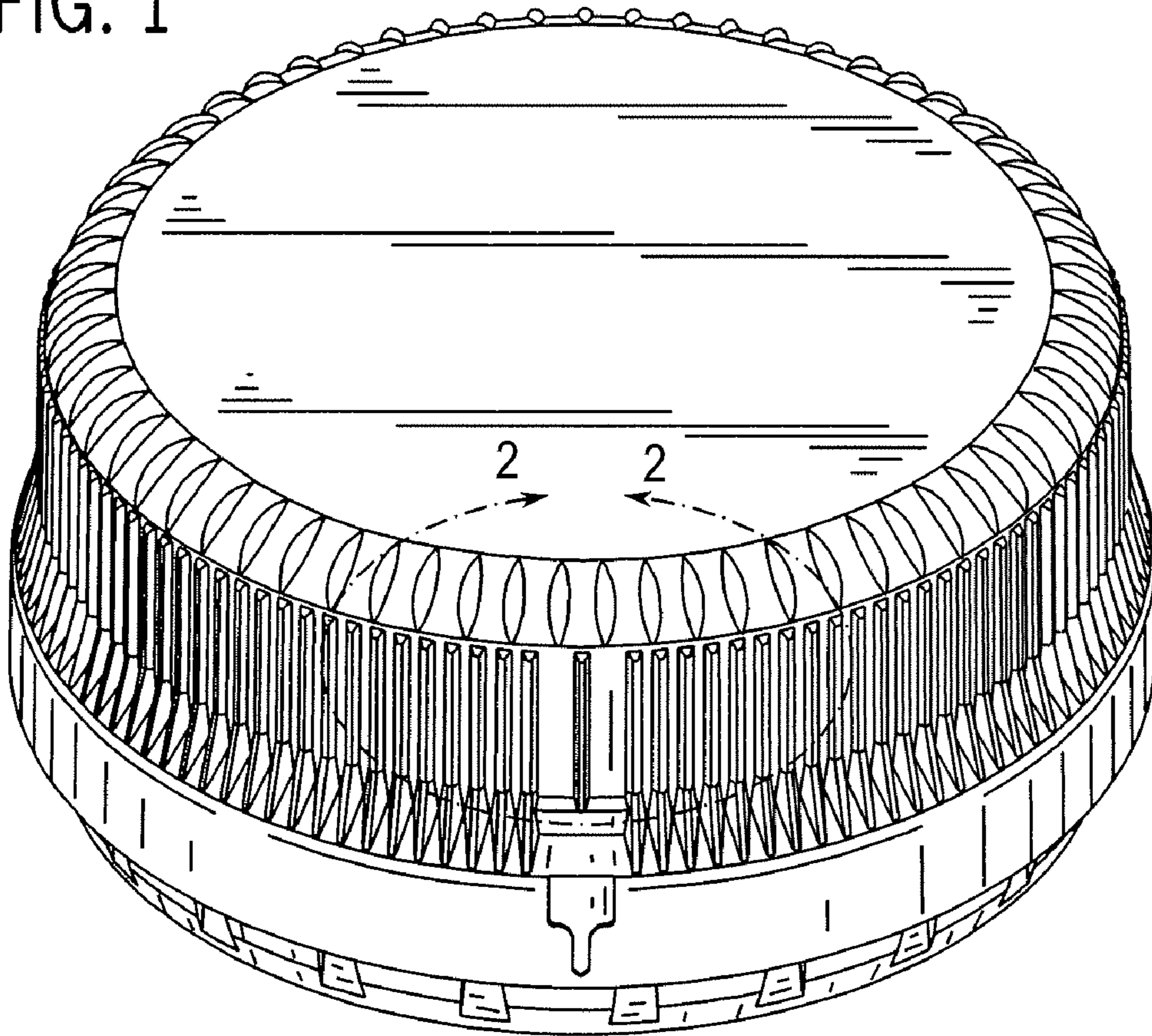


FIG. 2

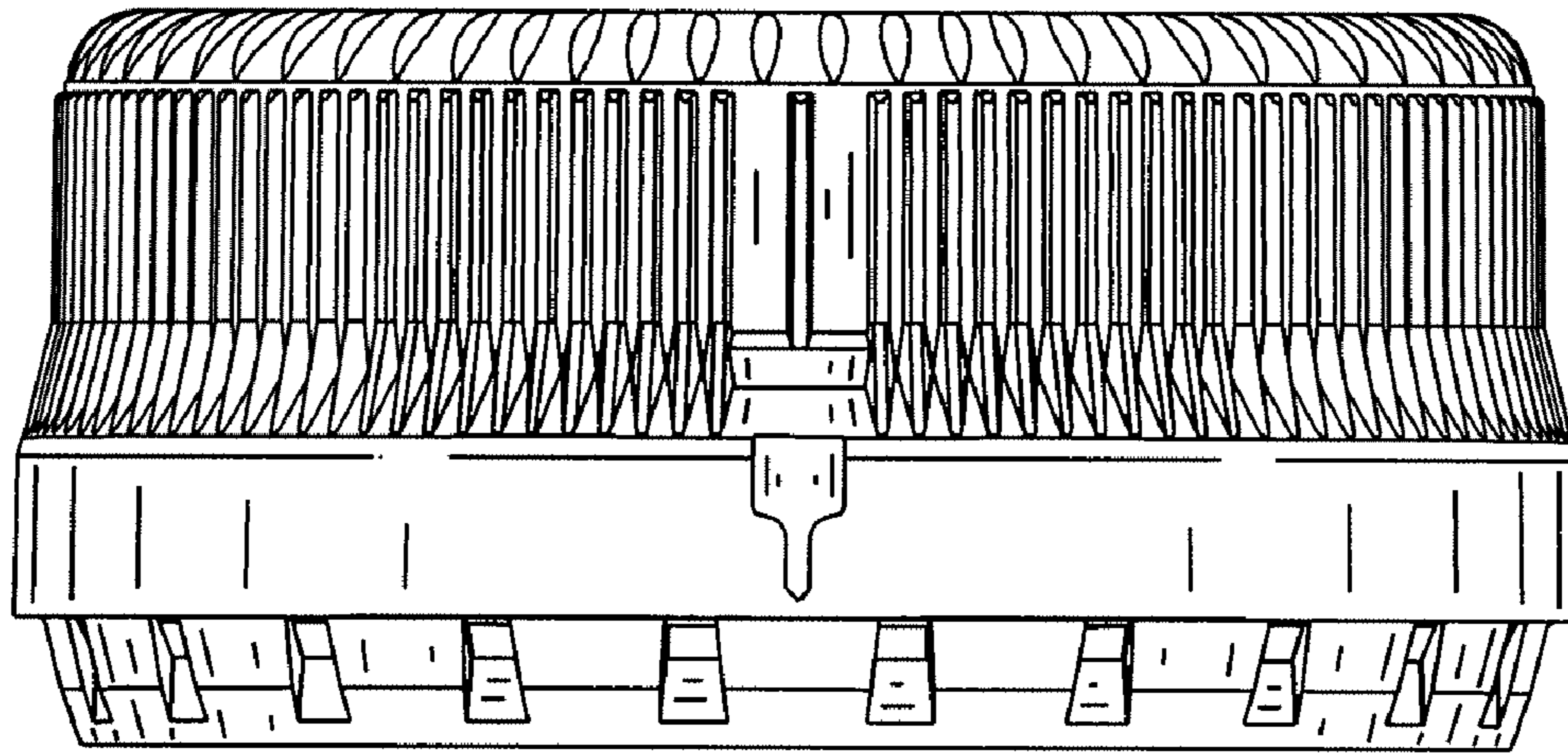
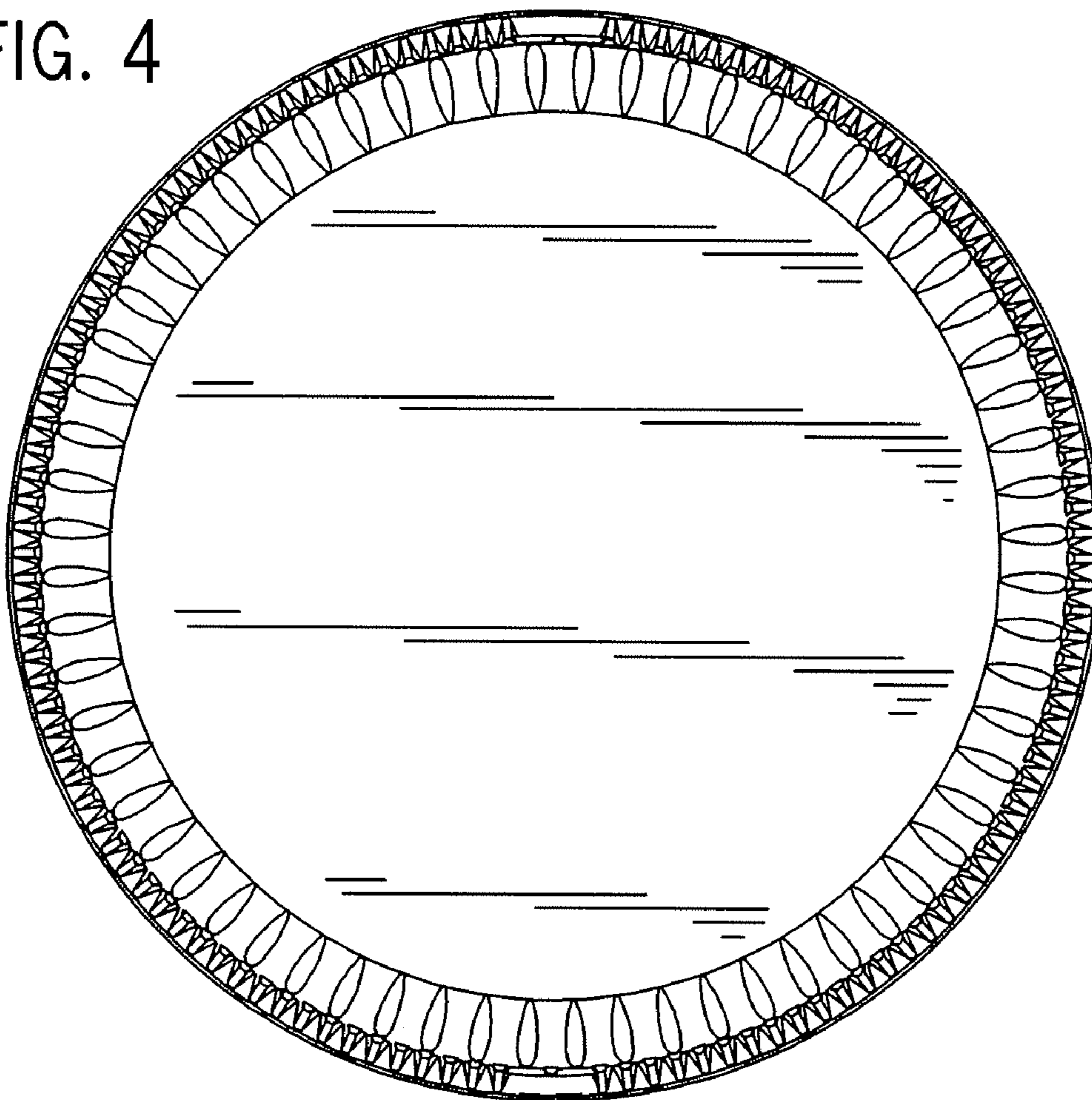


FIG. 3

FIG. 4



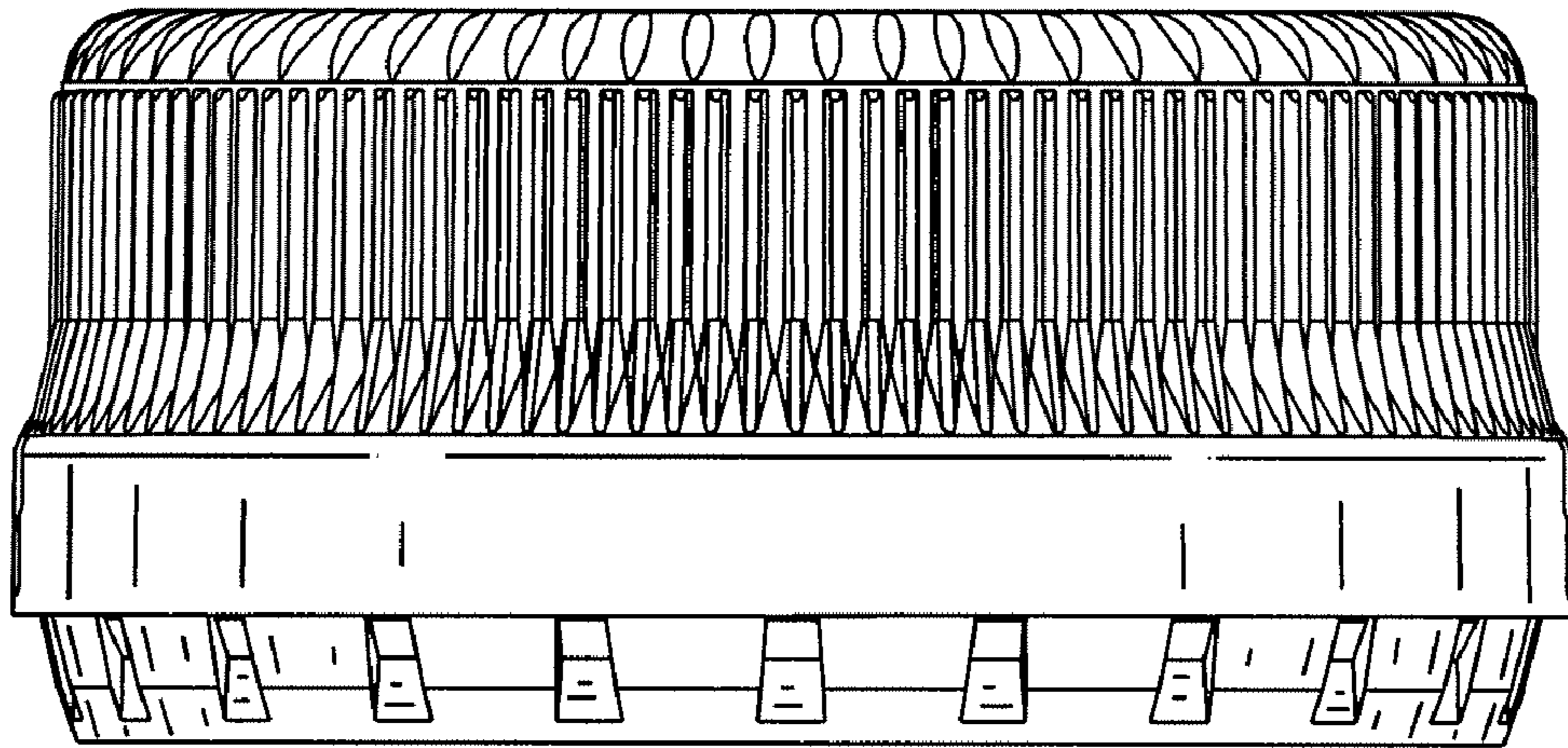


FIG. 5

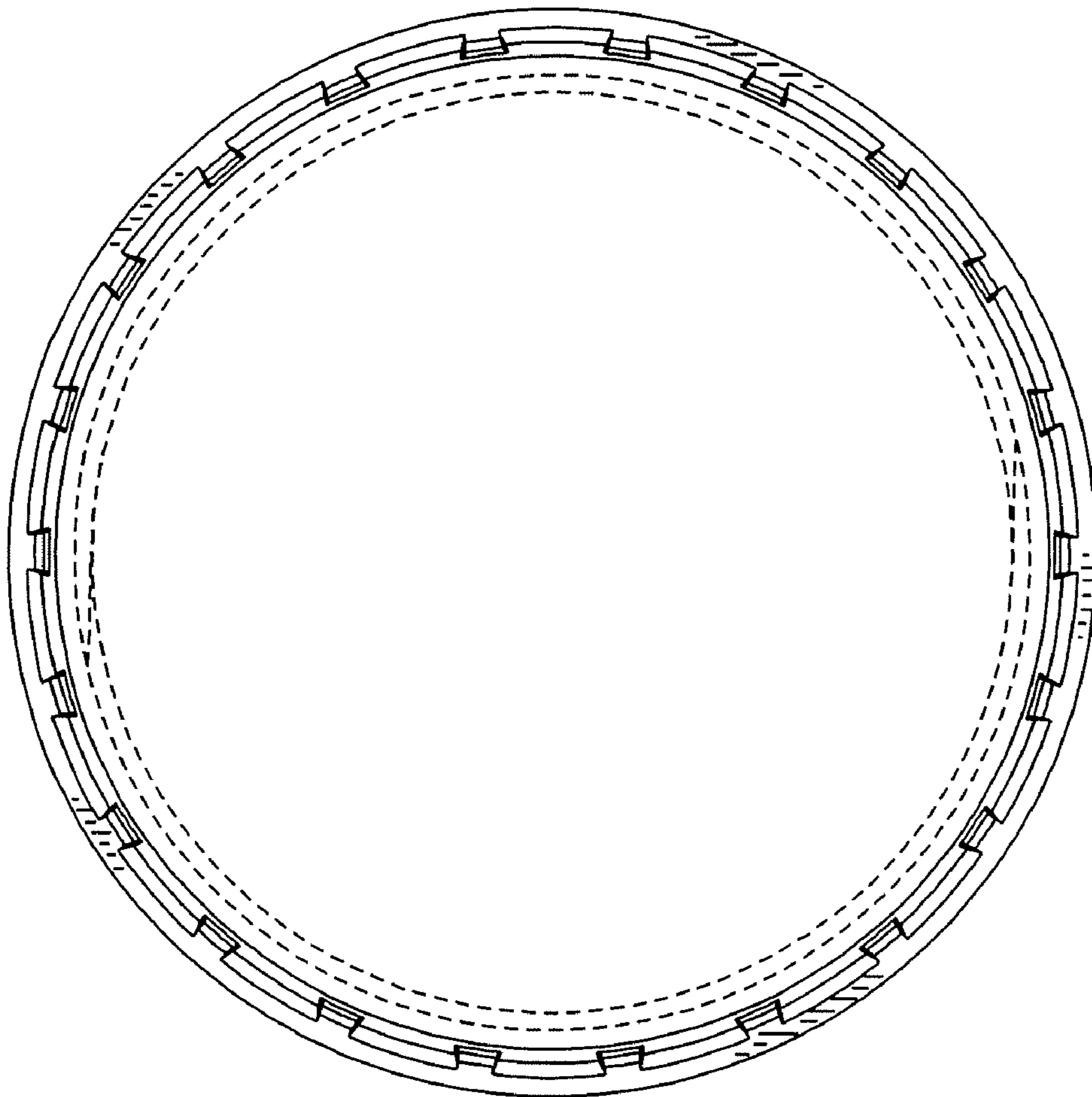


FIG. 6