



US00D634196S

(12) **United States Design Patent**
Giraud et al.

(10) **Patent No.:** **US D634,196 S**
(45) **Date of Patent:** **** Mar. 15, 2011**

(54) **LID**

(75) Inventors: **Jean-Pierre Giraud**, Paris (FR); **Michel Zbirka**, Jouy-sur-Morin (FR); **Bruce Rabinne**, Boissy le Chatel (FR); **Tina Belfance**, Auburn, AL (US)

(73) Assignee: **Capitol Cups, Inc.**, Amsterdam, NY (US)

(**) Term: **14 Years**

(21) Appl. No.: **29/358,903**

(22) Filed: **Apr. 1, 2010**

(51) **LOC (9) Cl.** **09-07**

(52) **U.S. Cl.** **D9/447; D9/453; D9/454**

(58) **Field of Classification Search** D9/780,
D9/778, 772, 763, 756, 556, 529, 518, 504,
D9/503, 454, 450, 449, 447, 440, 438, 435,
D9/434, 428, 425, 424; D7/584, 392.1; 229/123.1;
222/556; 220/906, 806, 716, 713, 711, 359.3,
220/359.1, 285, 273, 265, 259.2-259.4, 258.2,
220/257.1, 254.4; 215/256, 249, 232, 216;
206/530

See application file for complete search history.

(56) **References Cited**

U.S. PATENT DOCUMENTS

| | | | |
|-------------------|--------|------------------------|----------|
| D359,417 S * | 6/1995 | Chen | D7/510 |
| 5,894,952 A * | 4/1999 | Mendenhall et al. | 220/713 |
| D562,065 S * | 2/2008 | Smaldone | D7/396.2 |
| 2009/0050641 A1 * | 2/2009 | Ivey | 220/713 |

* cited by examiner

Primary Examiner — Susan Bennett Hattan

(74) *Attorney, Agent, or Firm* — McAndrews, Held & Malloy, Ltd.

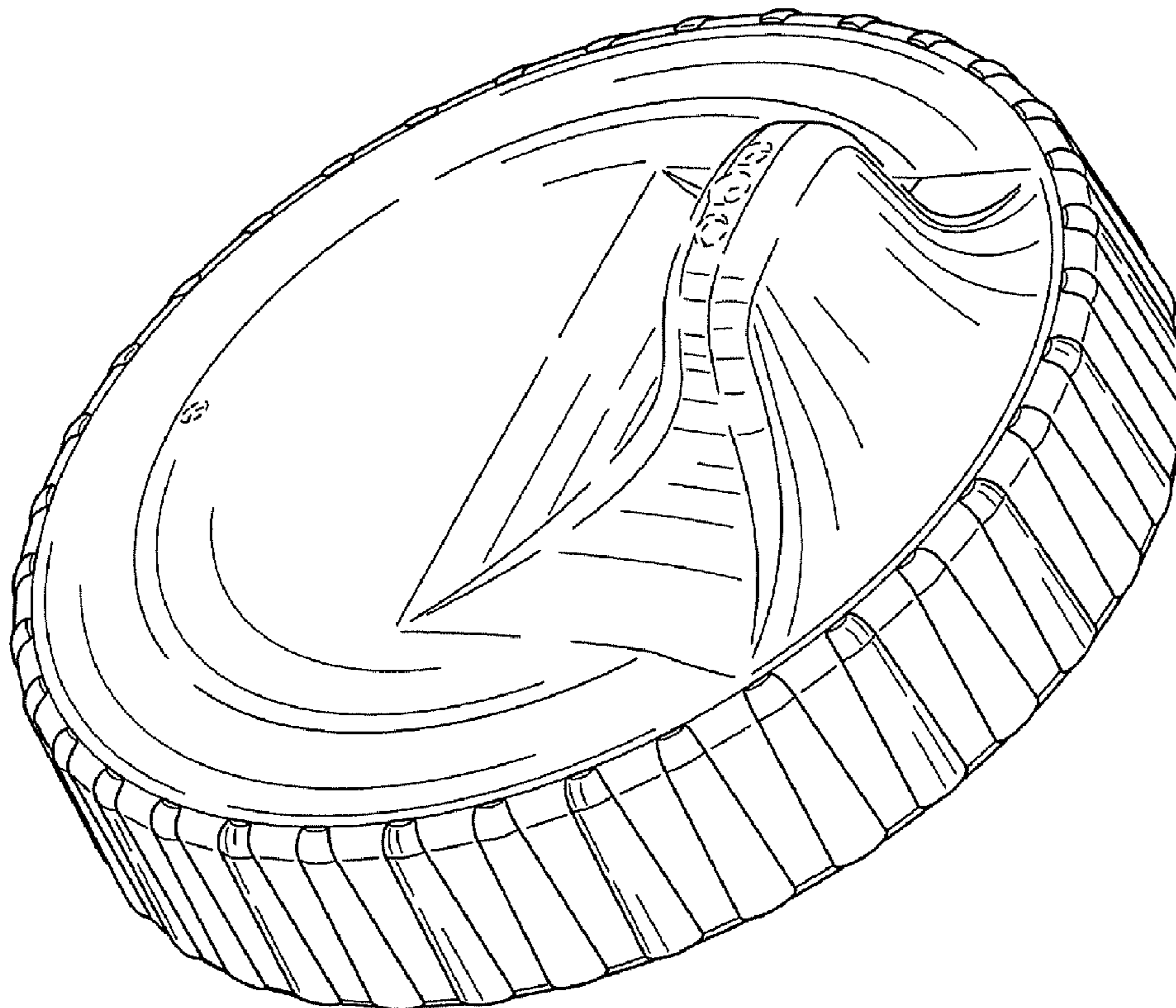
(57) **CLAIM**

The ornamental design for a lid, as shown and described.

DESCRIPTION

FIG. 1 is a top perspective view of our new design for a lid;
FIG. 2 is a front elevation view thereof;
FIG. 3 is a back elevation view thereof;
FIG. 4 is a right-side elevation view thereof;
FIG. 5 is a left-side elevation view thereof;
FIG. 6 is top plan view thereof;
FIG. 7 is a bottom plan view thereof;
FIG. 8 is a bottom perspective view thereof; and,
FIG. 9 is a second bottom perspective view thereof.
The broken lines in the drawings are included for the purpose of illustrating environmental subject matter and form no part of the claimed design.

1 Claim, 5 Drawing Sheets



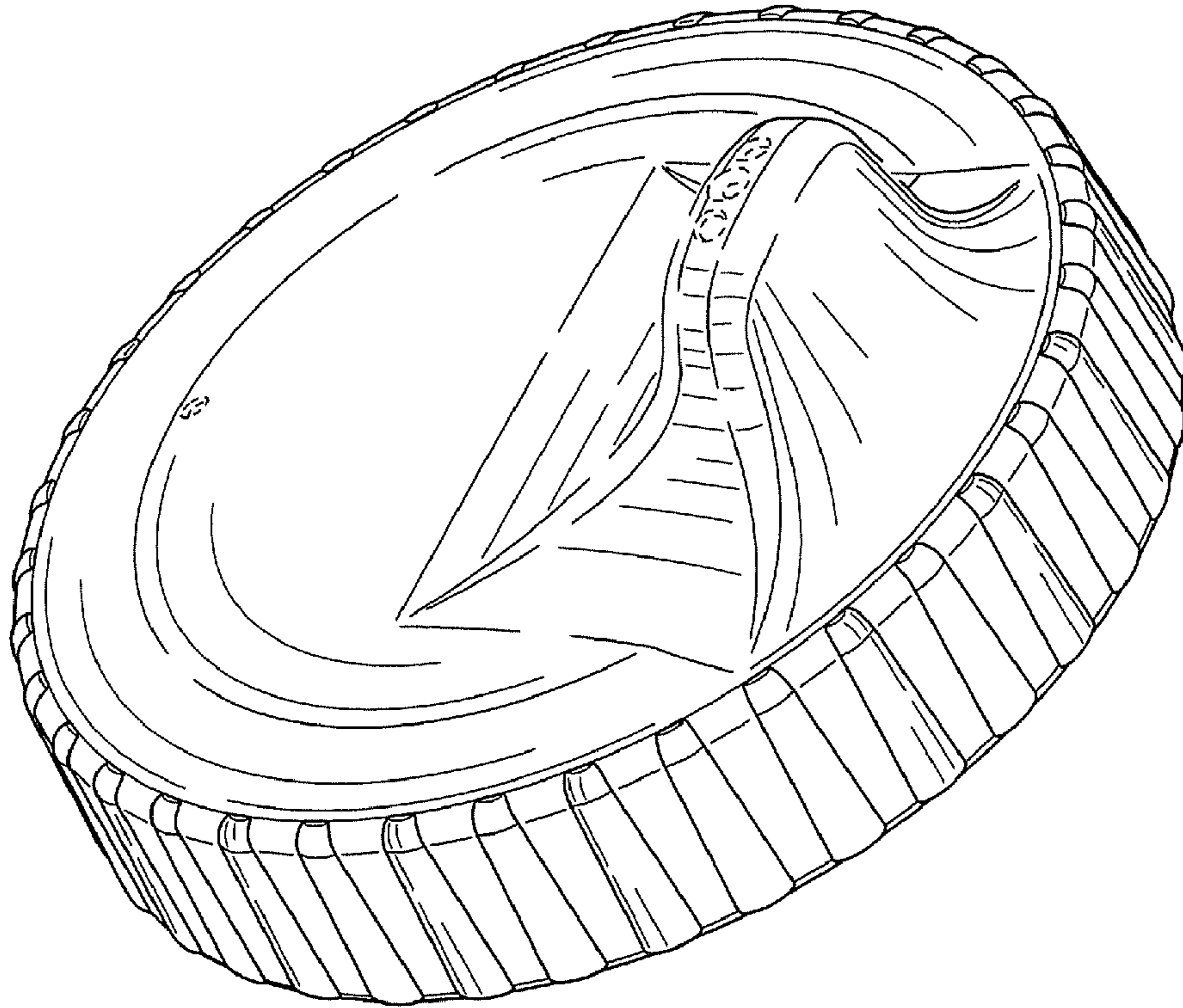


FIG. 1

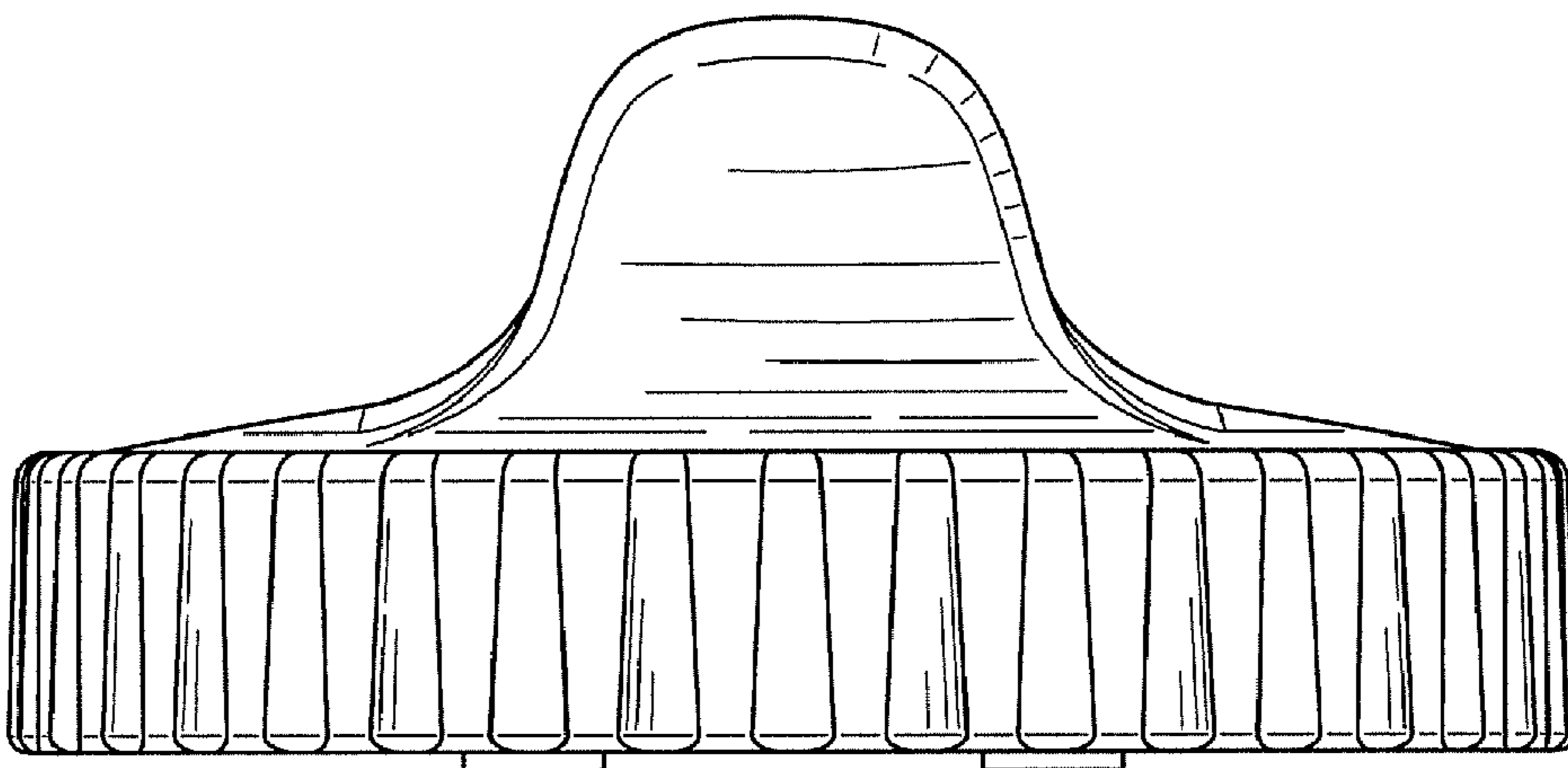


FIG. 2

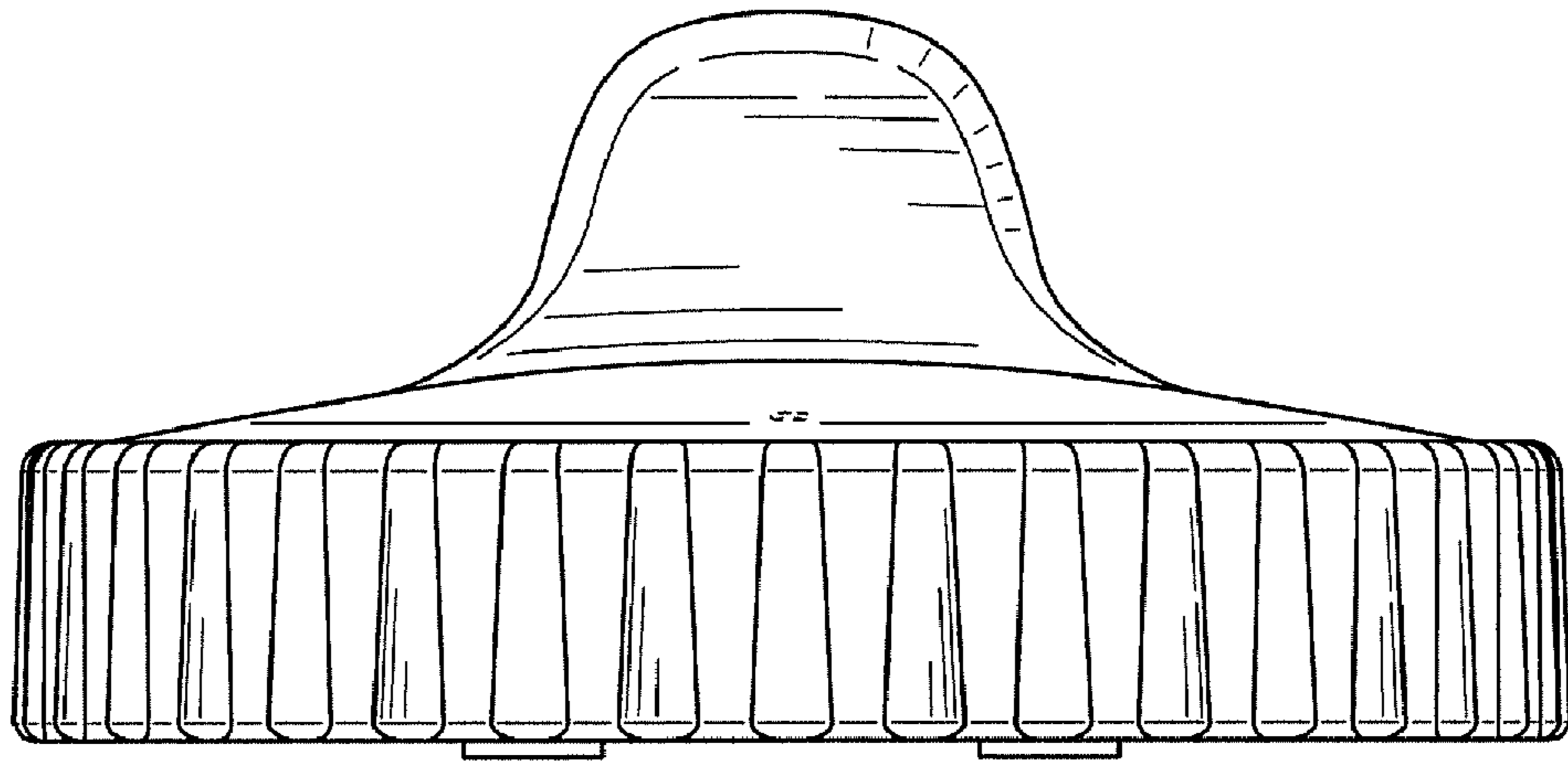


FIG. 3

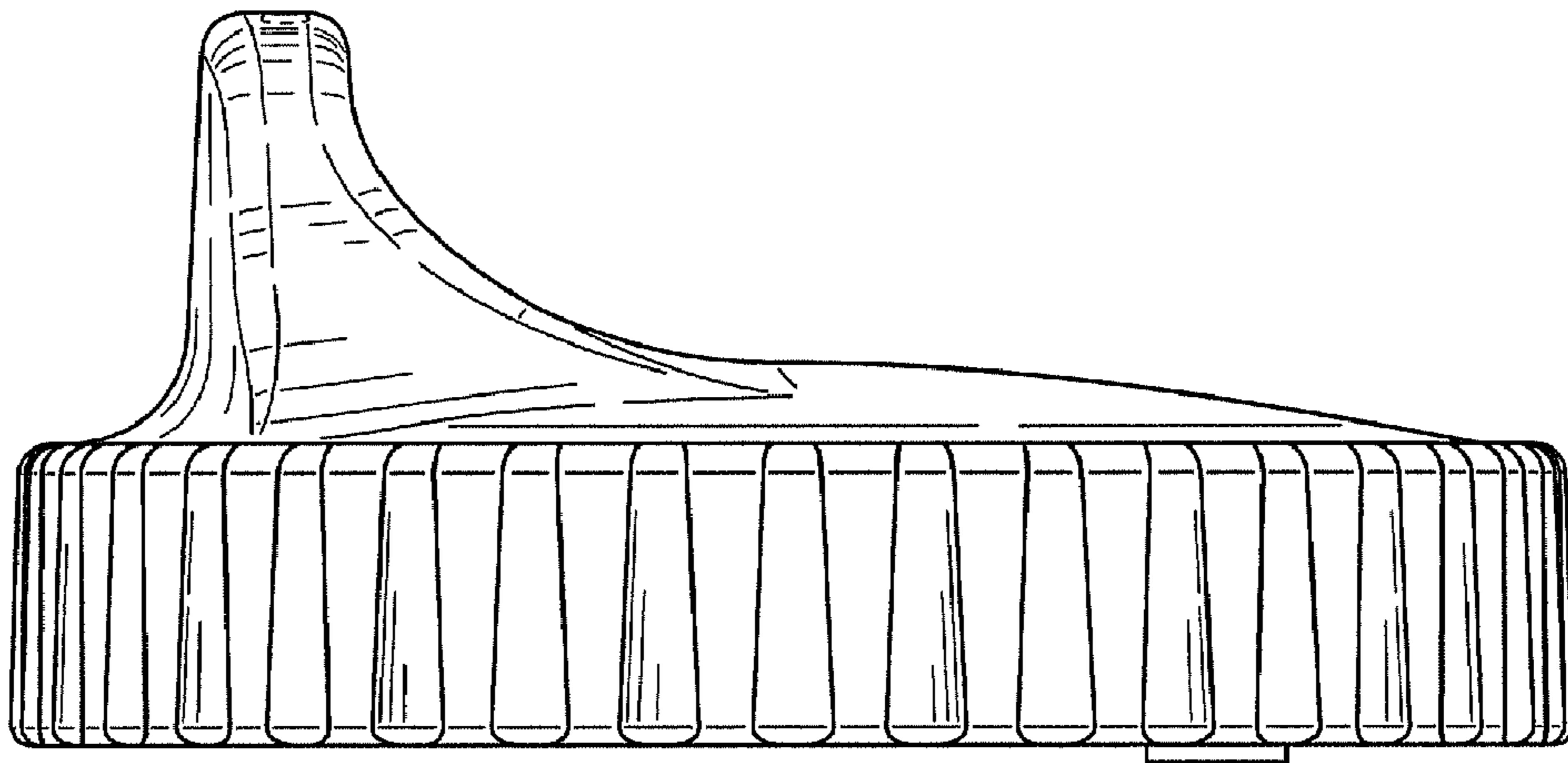


FIG. 4

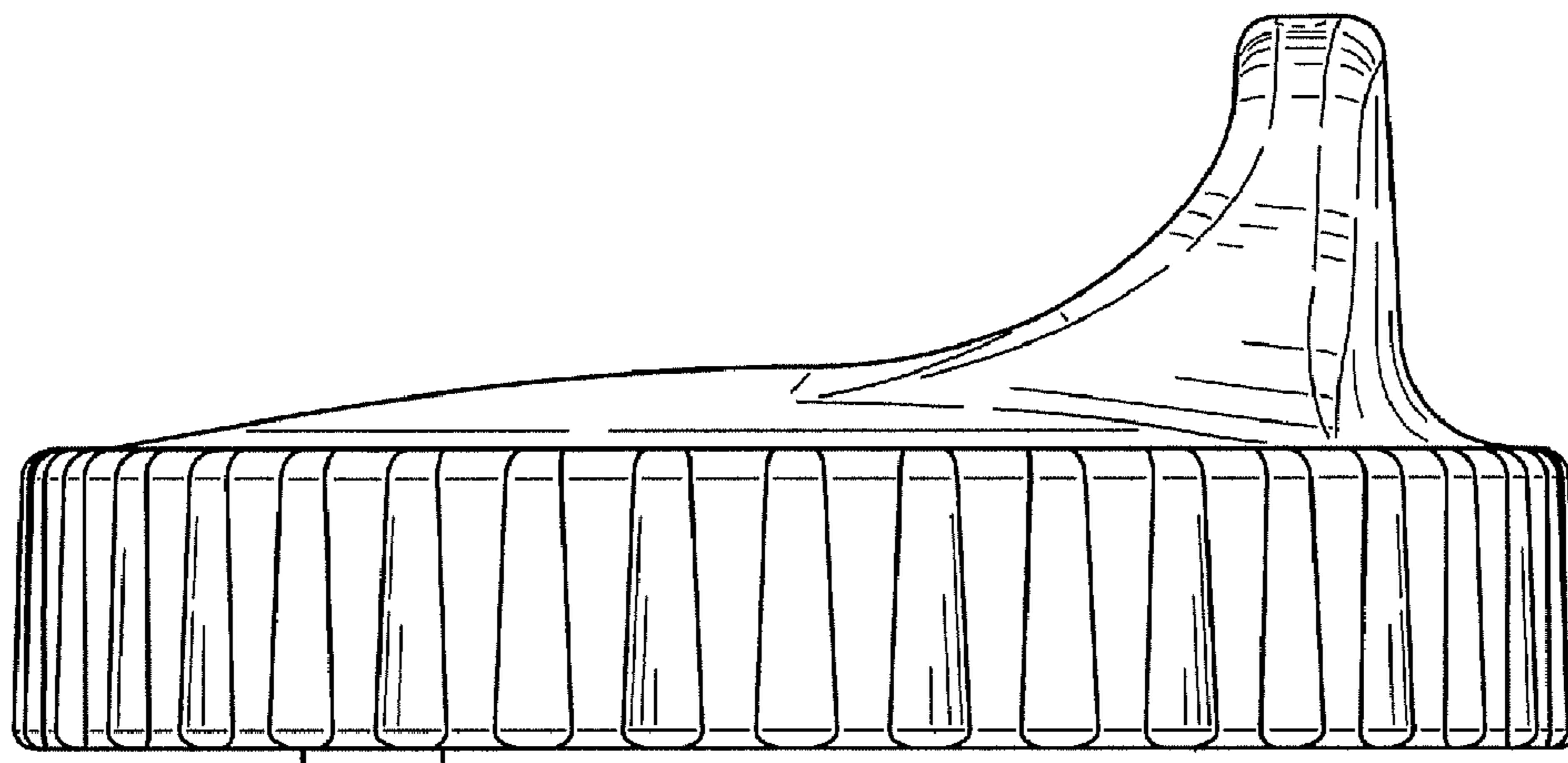


FIG. 5

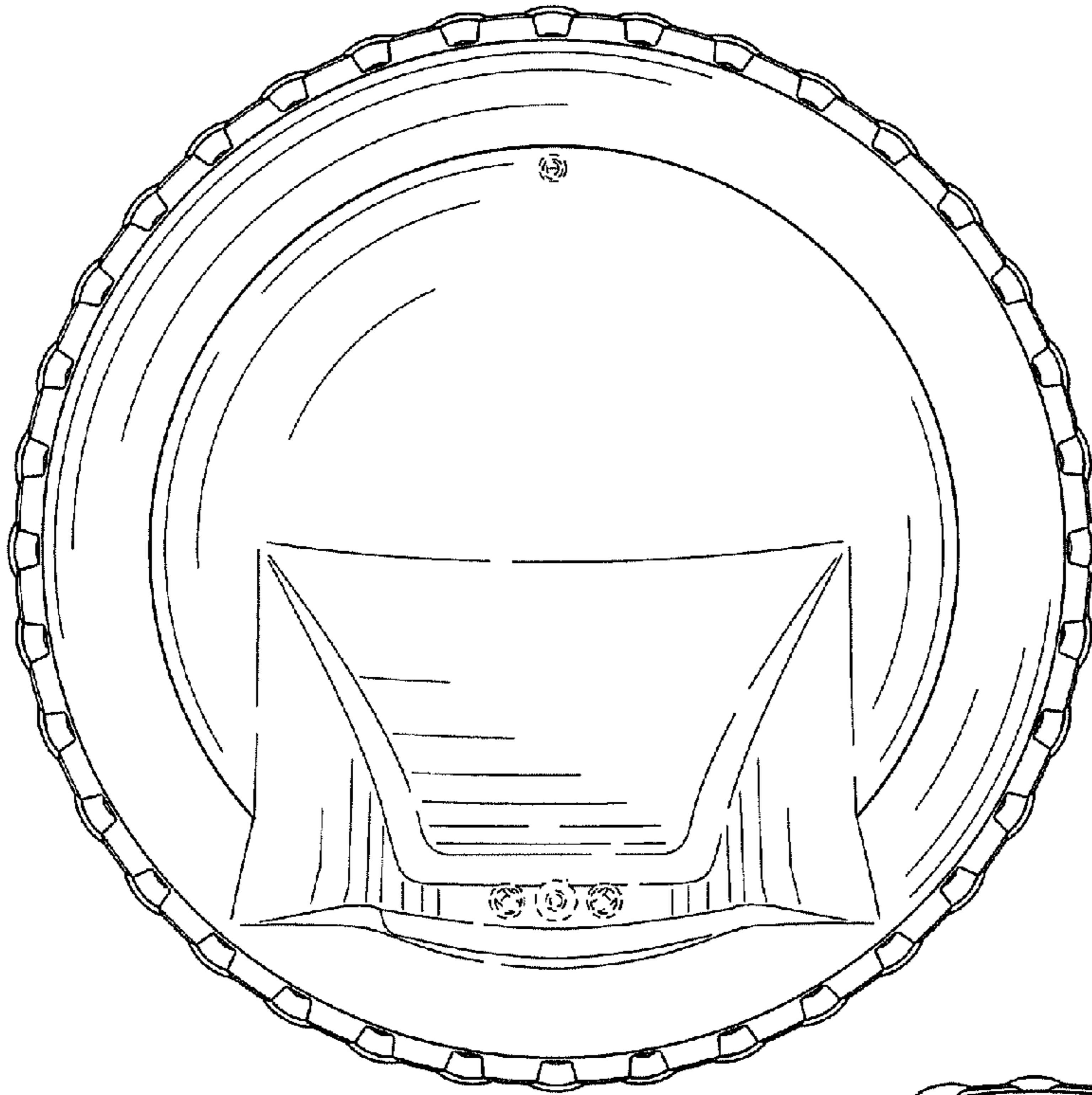


FIG. 6

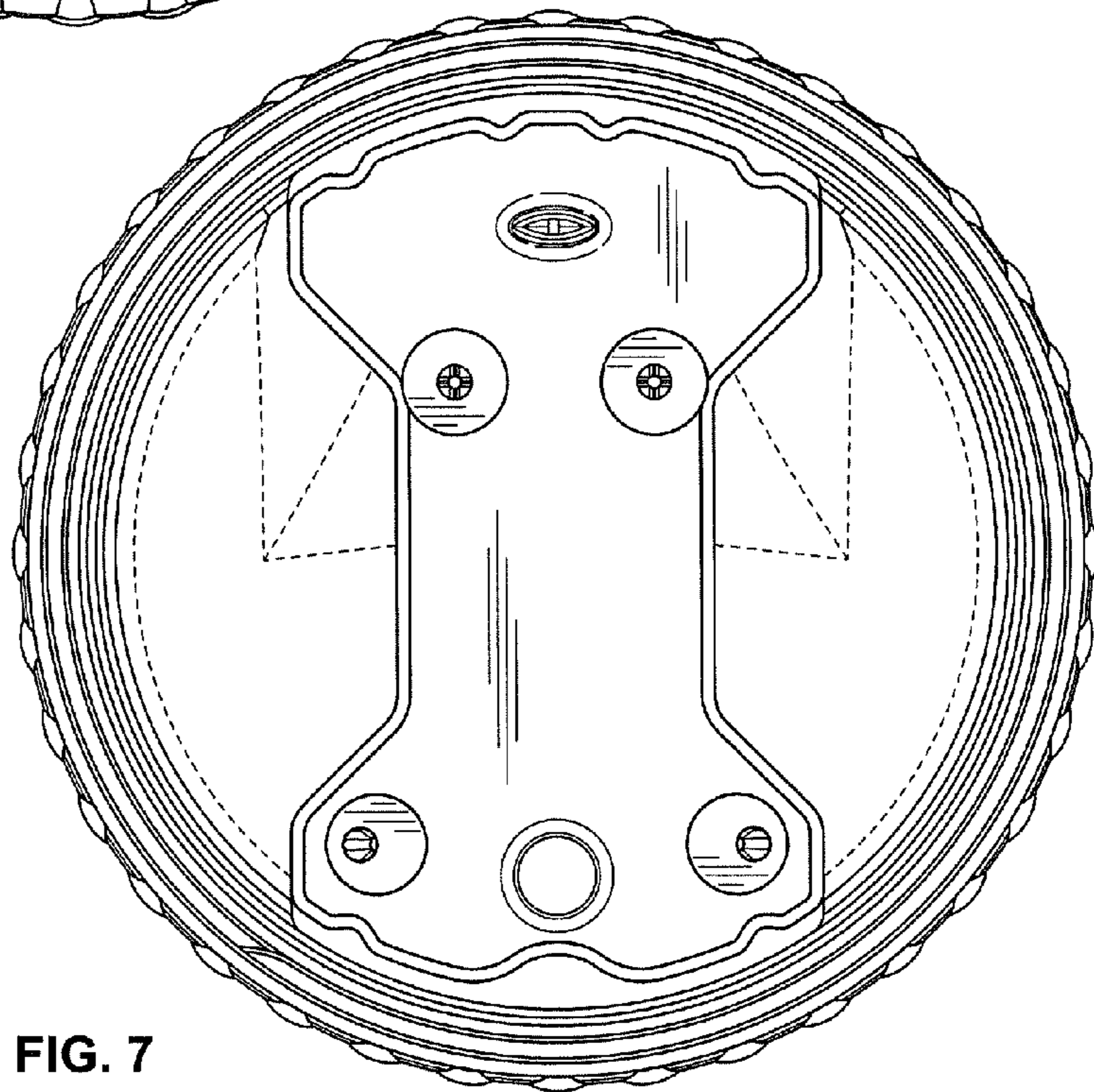


FIG. 7

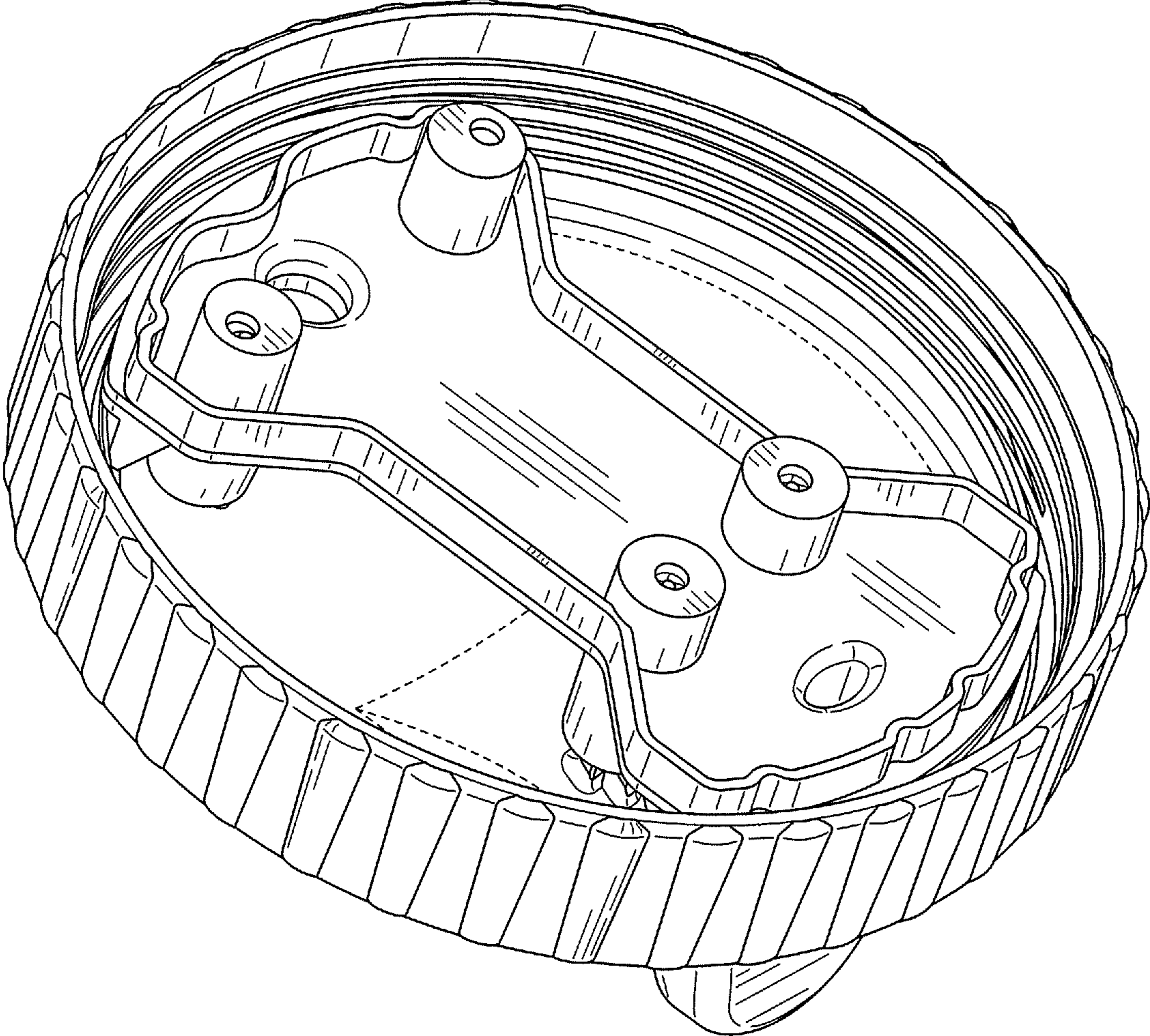


FIG. 8

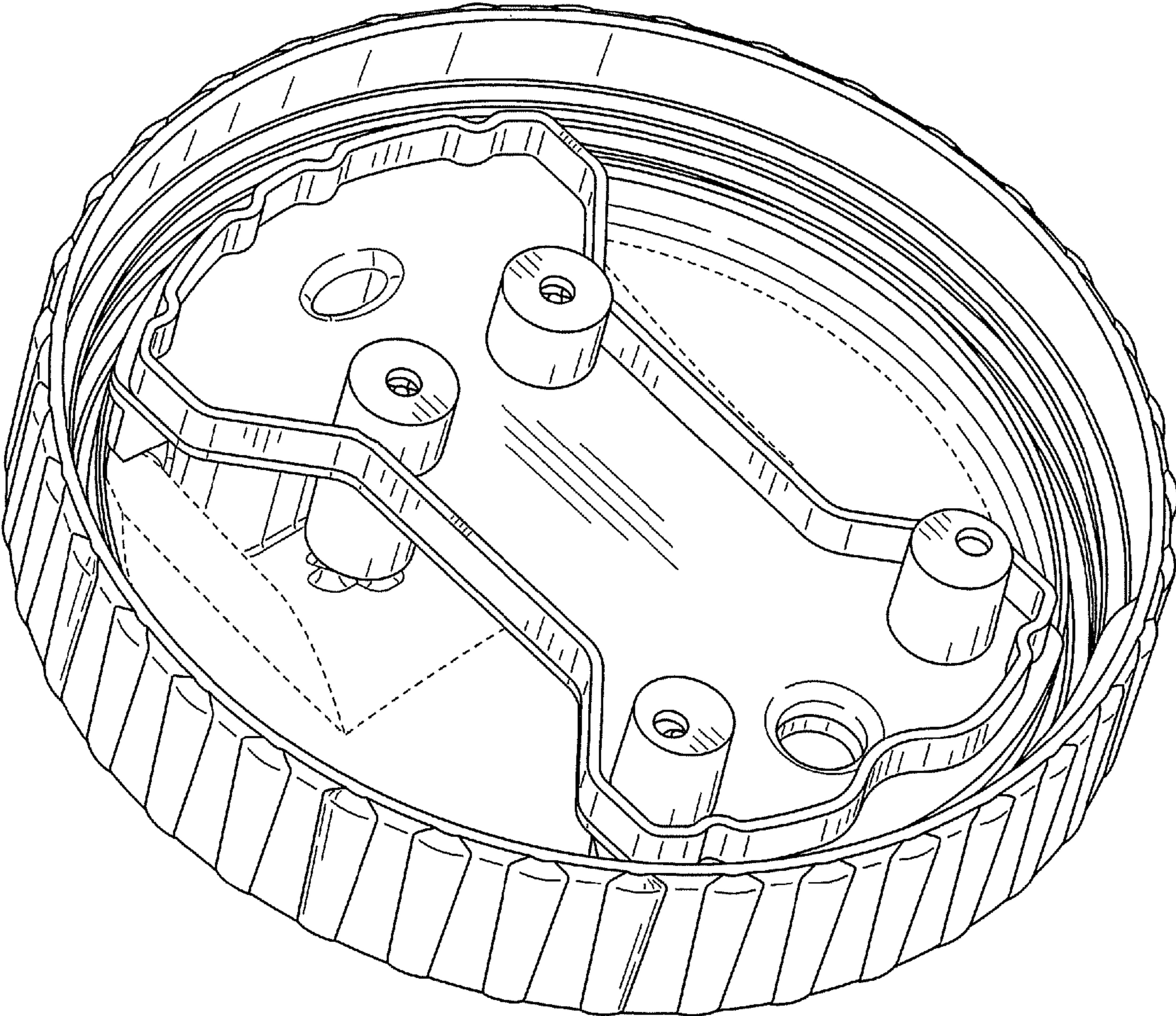


FIG. 9