



US00D634195S

(12) **United States Design Patent**
McKinney et al.

(10) **Patent No.:** **US D634,195 S**
(45) **Date of Patent:** **** Mar. 15, 2011**

(54) **BEVERAGE BOTTLE LID**

(75) Inventors: **Larry T. McKinney**, Huntersville, NC (US); **Brian D. Furlong**, Davidson, NC (US)

(73) Assignee: **Rubbermaid Incorporated**, Huntersville, NC (US)

(**) Term: **14 Years**

(21) Appl. No.: **29/343,958**

(22) Filed: **Sep. 22, 2009**

(51) **LOC (9) Cl.** **09-07**

(52) **U.S. Cl.** **D9/447; D9/453**

(58) **Field of Classification Search** D9/780, D9/778, 772, 763, 756, 556, 529, 518, 504, D9/503, 454, 450, 449, 447, 440, 438, 435, D9/434, 428, 425, 424; D7/584, 392.1; 229/123.1; 222/556; 220/906, 806, 716, 713, 711, 359.3, 220/359.1, 285, 273, 265, 259.2-259.4, 258.2, 220/257.1, 254.4; 215/256, 249, 232, 216; 206/530

See application file for complete search history.

(56) **References Cited**

U.S. PATENT DOCUMENTS

D183,622	S	*	9/1958	Libit	D9/447
D202,227	S	*	9/1965	Amburgey et al.	D9/447
D205,425	S	*	8/1966	Porter et al.	D9/447
D363,025	S	*	10/1995	Deflander et al.	D9/449
D468,639	S	*	1/2003	Wennerstrom et al.	D9/449
D537,716	S	*	3/2007	Smith	D9/449
D591,152	S	*	4/2009	Hatalla	D9/447
D596,458	S	*	7/2009	McKinney et al.		
D617,639	S	*	6/2010	Casey et al.	D9/447

OTHER PUBLICATIONS

Product Information for Rubbermaid Chug Bottles obtained from www.rubbermaid.com, 1 page.

Product Information for Rubbermaid Sip Bottles obtained from www.rubbermaid.com, 1 page.

Product Information for Rubbermaid Squirt-Top Bottles obtained from www.rubbermaid.com, 1 page.

* cited by examiner

Primary Examiner — Susan Bennett Hattan

(74) *Attorney, Agent, or Firm* — Lempia Summerfield Katz LLC

(57) **CLAIM**

The ornamental design for a “beverage bottle lid,” as shown and described.

DESCRIPTION

FIG. 1 is a top, front, and left side perspective view showing our new design for a beverage bottle lid;

FIG. 2 is a front view of the beverage bottle lid shown in FIG. 1, the rear view being a mirror image thereof;

FIG. 3 is a right side view of the beverage bottle lid shown in FIG. 1, the left side view being a mirror image thereof;

FIG. 4 is a top view of the beverage bottle lid shown in FIG. 1;

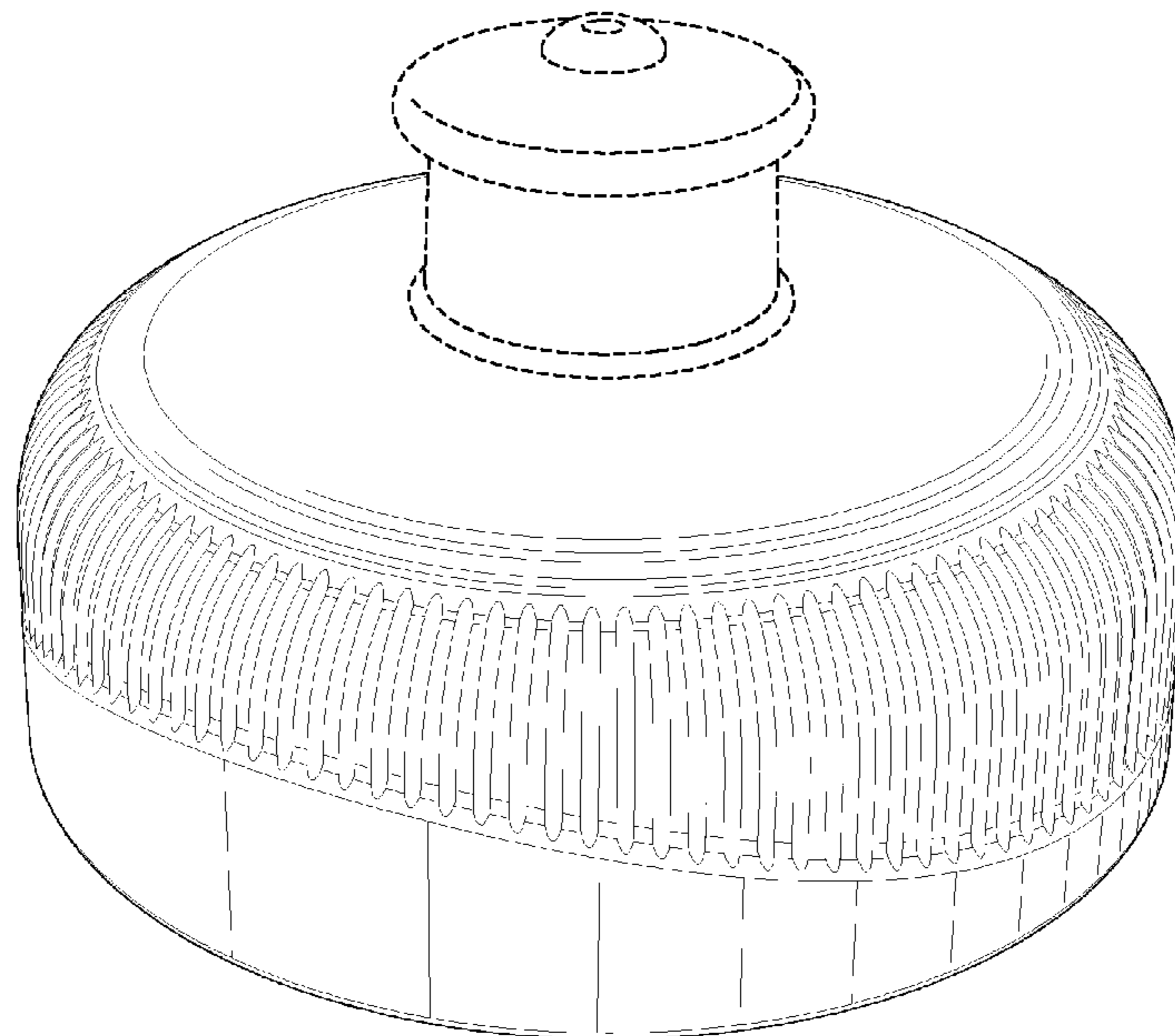
FIG. 5 is a bottom view of the beverage bottle lid shown in FIG. 1;

FIG. 6 is a top, front, and right side perspective view showing the beverage bottle lid of FIG. 1, but with alternate closure; and,

FIG. 7 is a top, front, and right side perspective view showing the beverage bottle lid of FIG. 1, but with alternate closure.

The subject matter shown in dashed lines depicts environmental subject matter only and form no part of the claimed design.

1 Claim, 5 Drawing Sheets



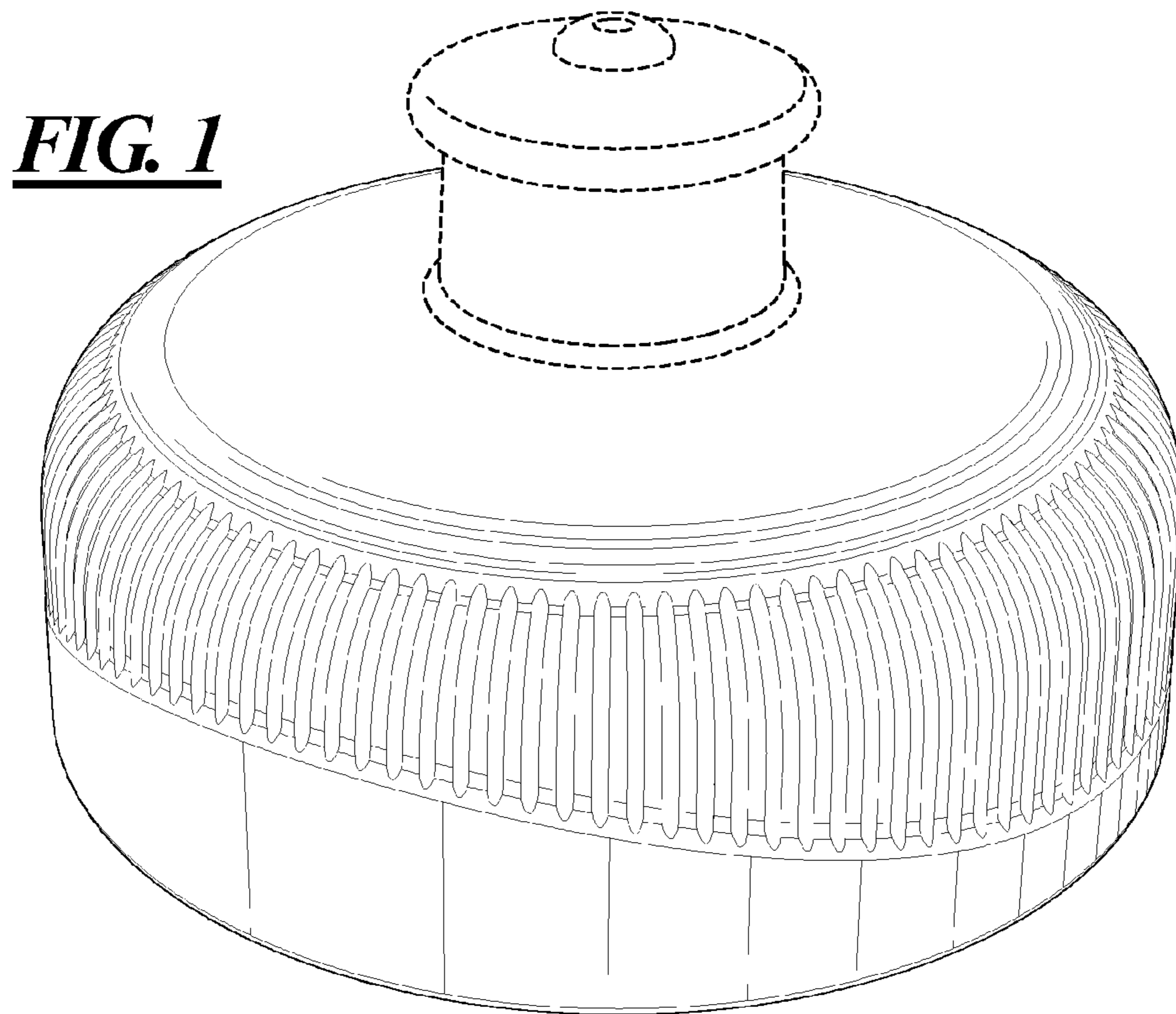


FIG. 2

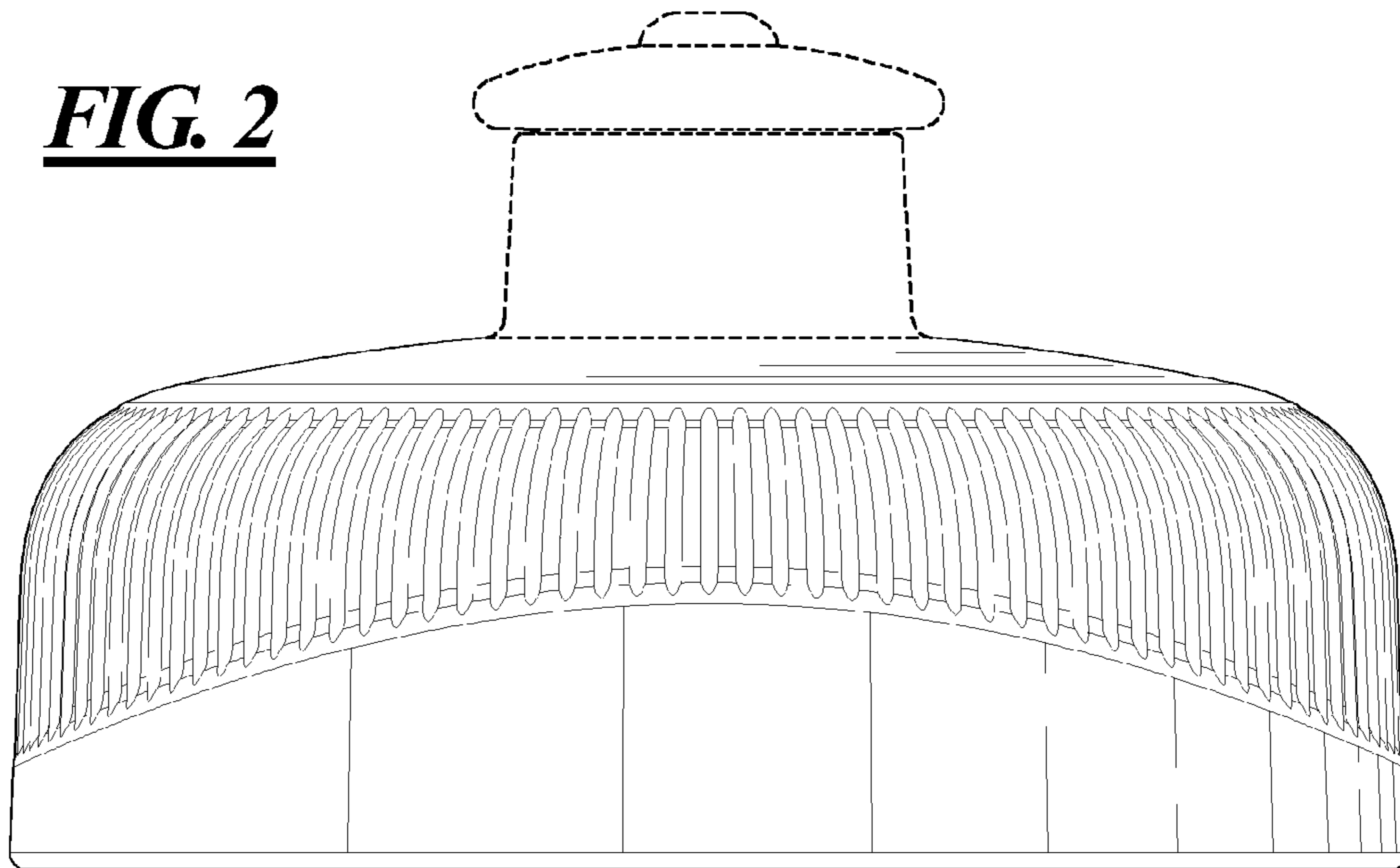


FIG. 3

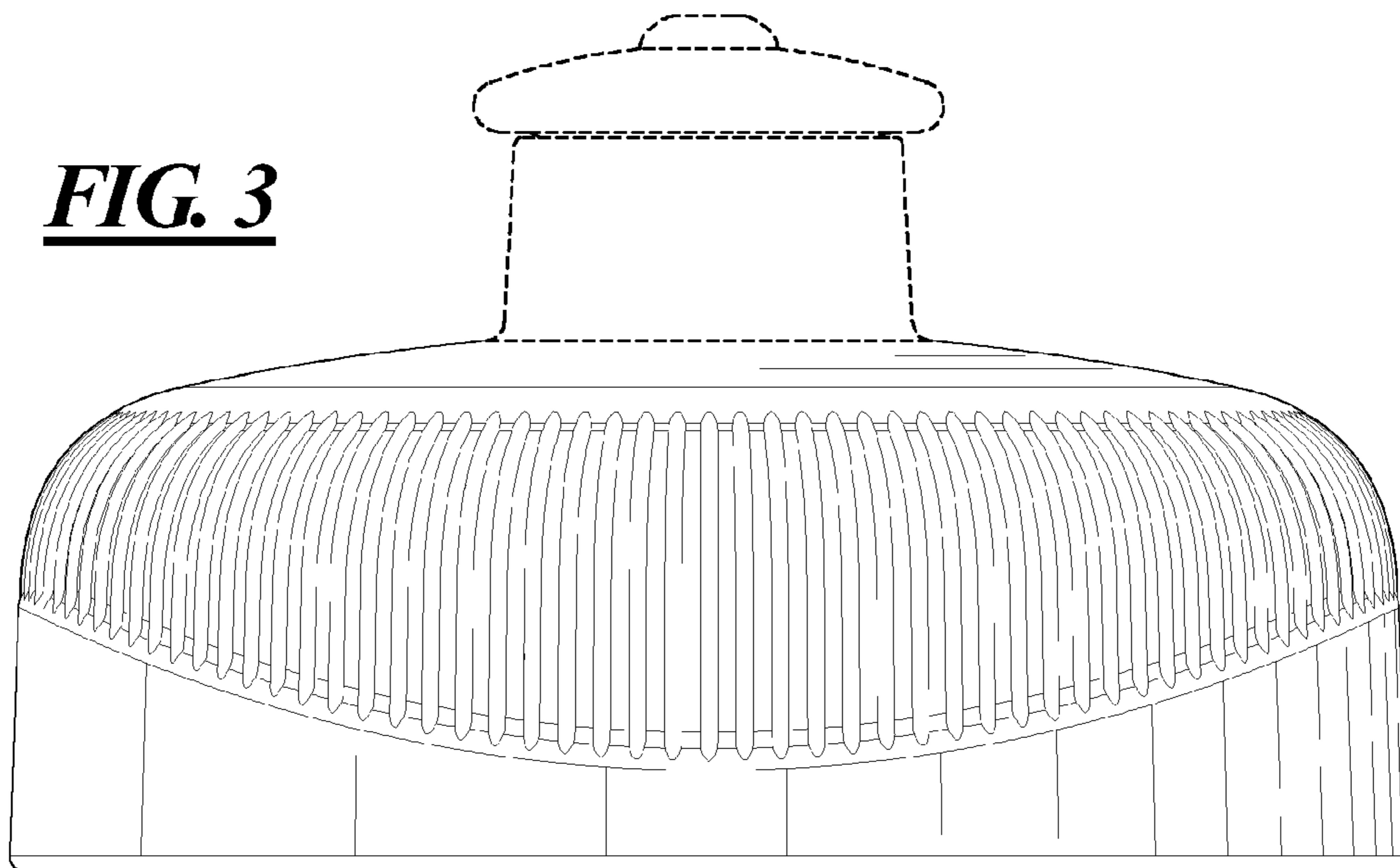


FIG. 4

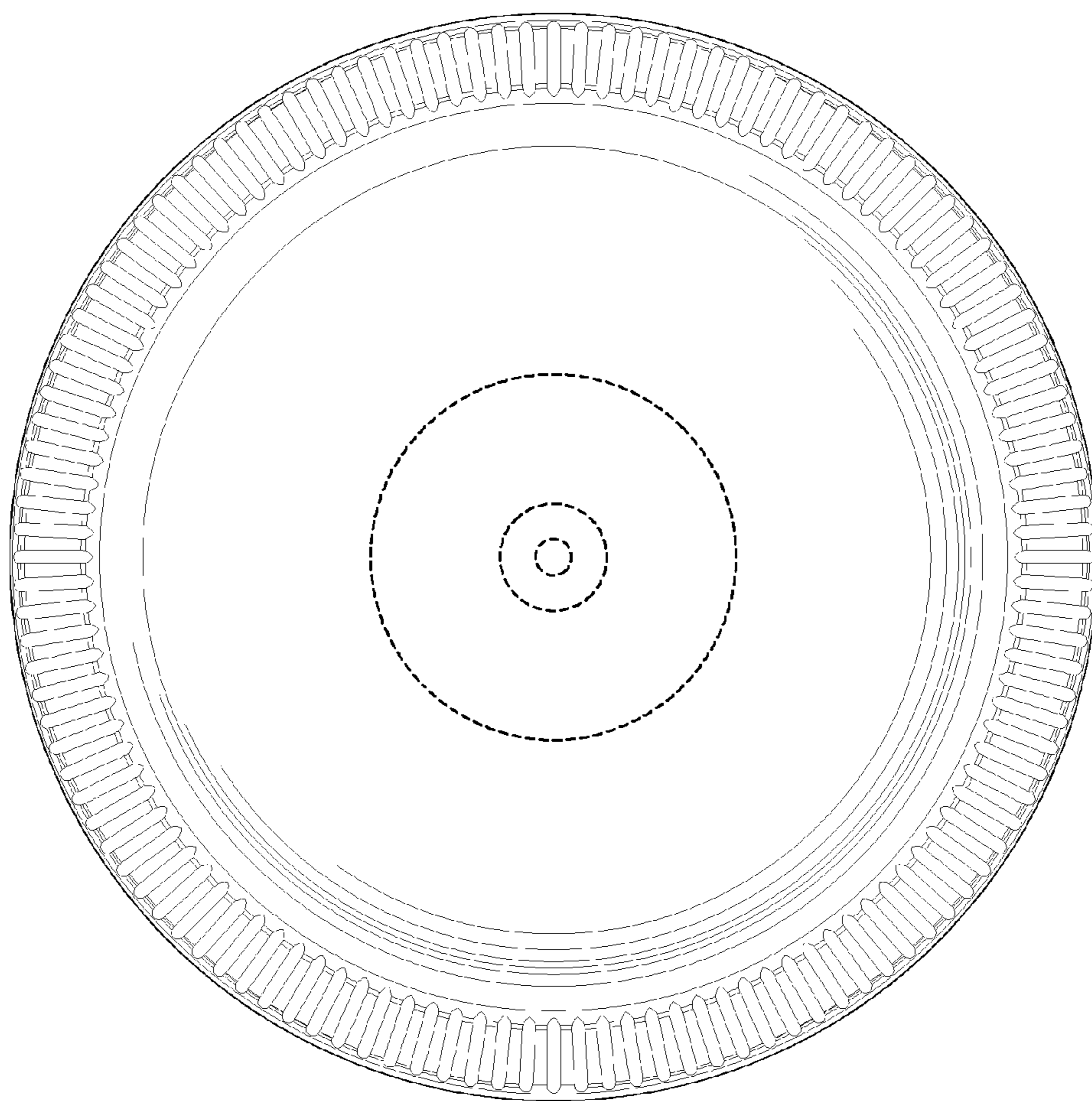


FIG. 5

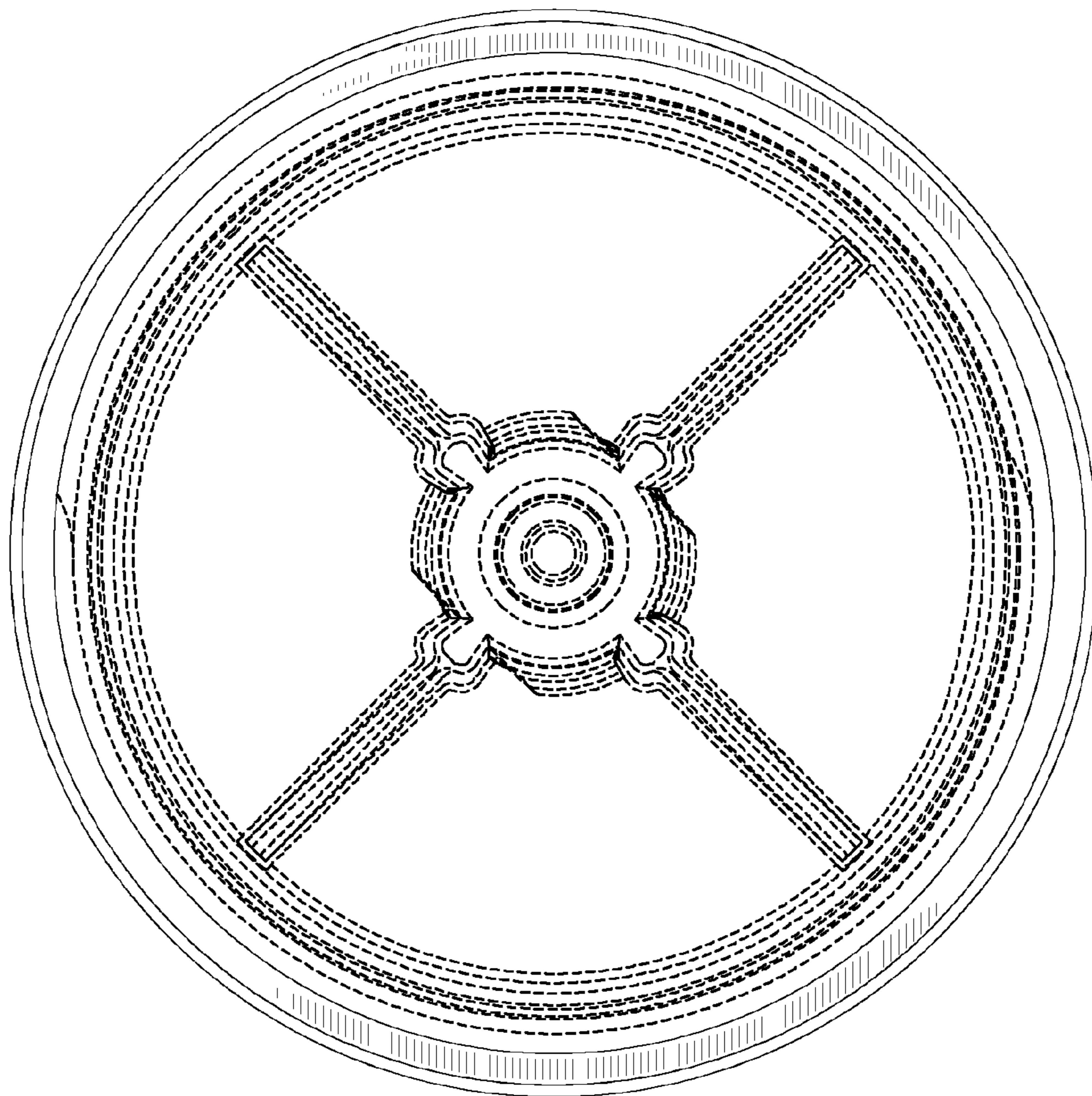


FIG. 6

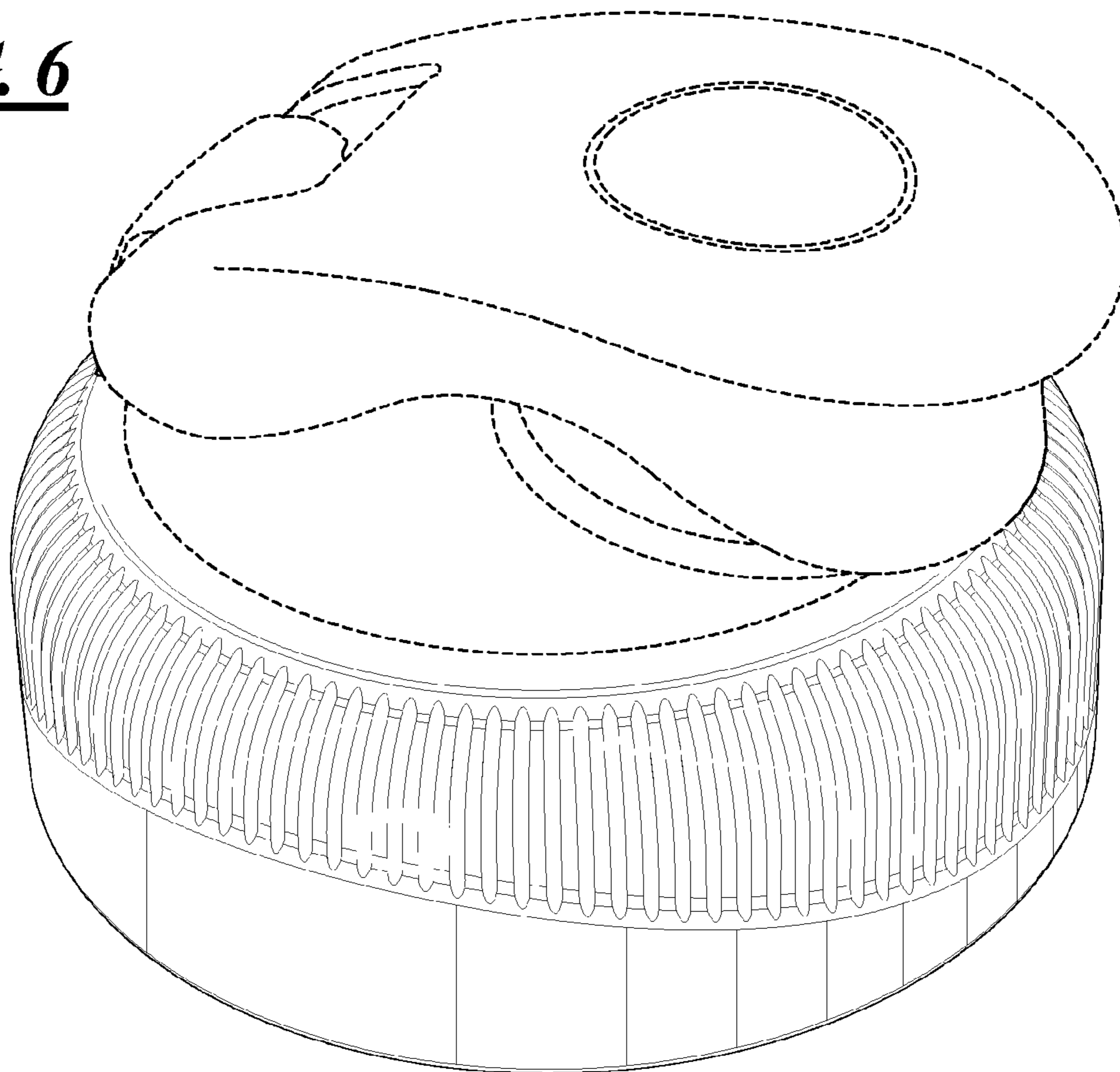


FIG. 7

