



US00D634192S

(12) **United States Design Patent**
Mueller

(10) **Patent No.:** **US D634,192 S**
(45) **Date of Patent:** **** Mar. 15, 2011**

(54) **MINT LID**

(76) Inventor: **Christopher Michael Mueller**, Omaha,
NE (US)

(**) Term: **14 Years**

(21) Appl. No.: **29/367,624**

(22) Filed: **Aug. 10, 2010**

Related U.S. Application Data

(63) Continuation-in-part of application No. 12/032,422,
filed on Feb. 15, 2008.

(51) **LOC (9) Cl.** **09-07**

(52) **U.S. Cl.** **D9/436; D9/454; D9/447**

(58) **Field of Classification Search** D9/780,
D9/778, 772, 763, 756, 556, 529, 518, 504,
D9/503, 454, 450, 449, 447, 440, 438, 435,
D9/434, 428, 425, 424; D7/584, 392.1, 549,
D7/557, 601, 630, 396.2; 229/123.1; 222/556;
220/906, 806, 716, 713, 711, 359.3, 359.1,
220/285, 273, 265, 259.2-259.4, 258.2, 257.1,
220/254.4; 215/256, 249, 232, 216; 206/530

See application file for complete search history.

(56) **References Cited**

U.S. PATENT DOCUMENTS

3,417,897	A *	12/1968	Johnson	220/254.3
D417,845	S *	12/1999	Sadlier et al.	D9/447
D476,891	S *	7/2003	Clarke et al.	D9/447
D485,758	S *	1/2004	Clarke et al.	D9/447
D537,717	S *	3/2007	Notarianni	D9/449
D591,151	S *	4/2009	Freeman	D9/447
D591,595	S *	5/2009	Tedford, Jr.	D9/447
7,591,393	B2 *	9/2009	Crudgington, Jr.	220/713
2006/0071008	A1 *	4/2006	Sadlier	220/713

* cited by examiner

Primary Examiner — Susan Bennett Hattan

(74) *Attorney, Agent, or Firm* — Dale J. Ream

(57) **CLAIM**

The ornamental design for a mint lid, as shown and described.

DESCRIPTION

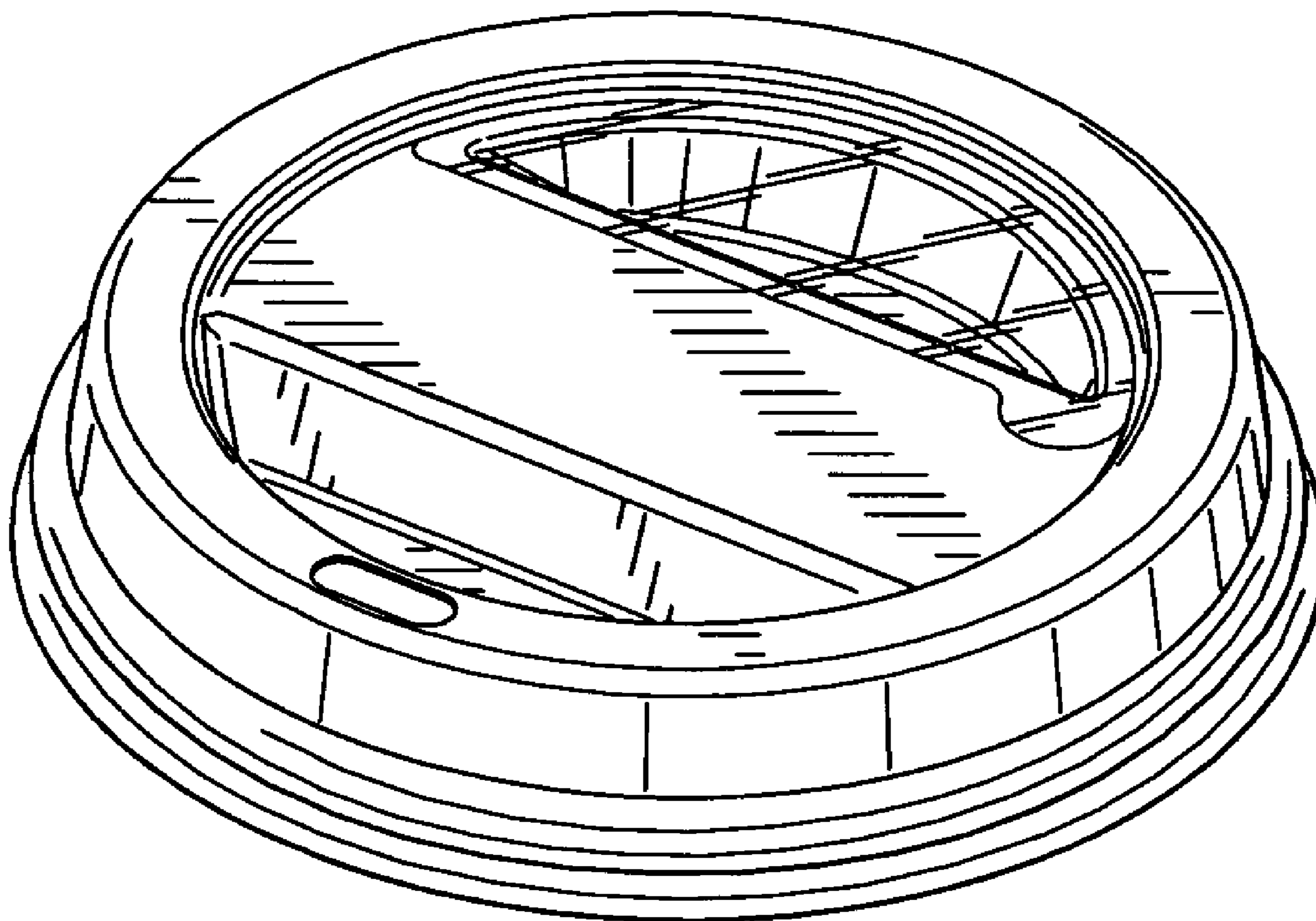
FIG. 1 is a perspective view of a mint lid showing my new design;

FIG. 2 is a side view thereof;

FIG. 3 is a top view thereof; and,

FIG. 4 is a bottom view thereof.

1 Claim, 3 Drawing Sheets



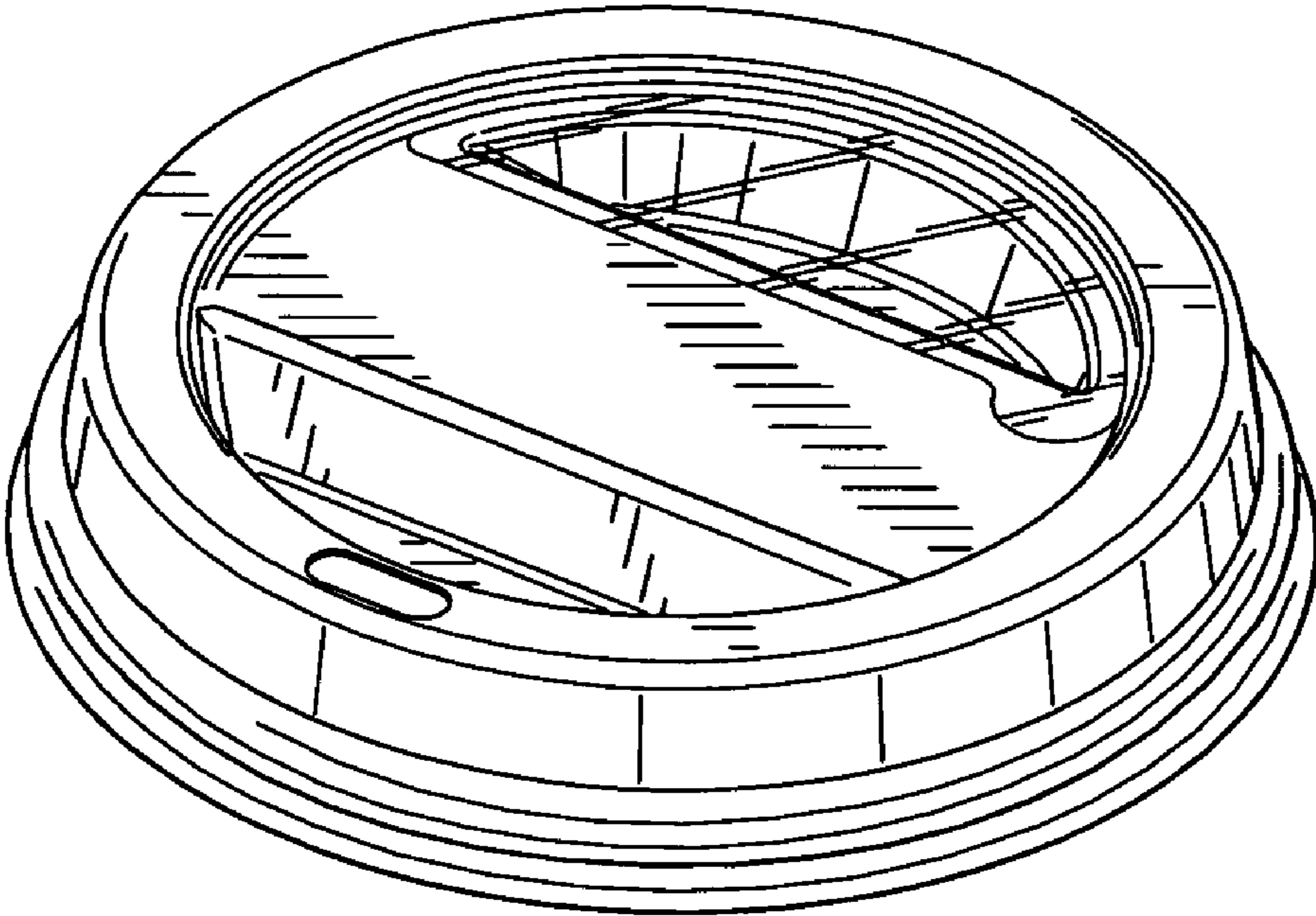


Fig. 1

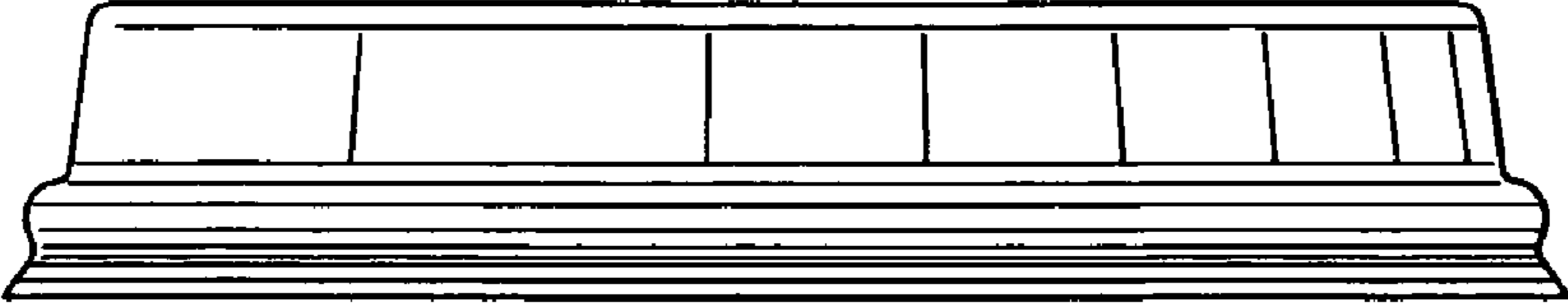


Fig. 2

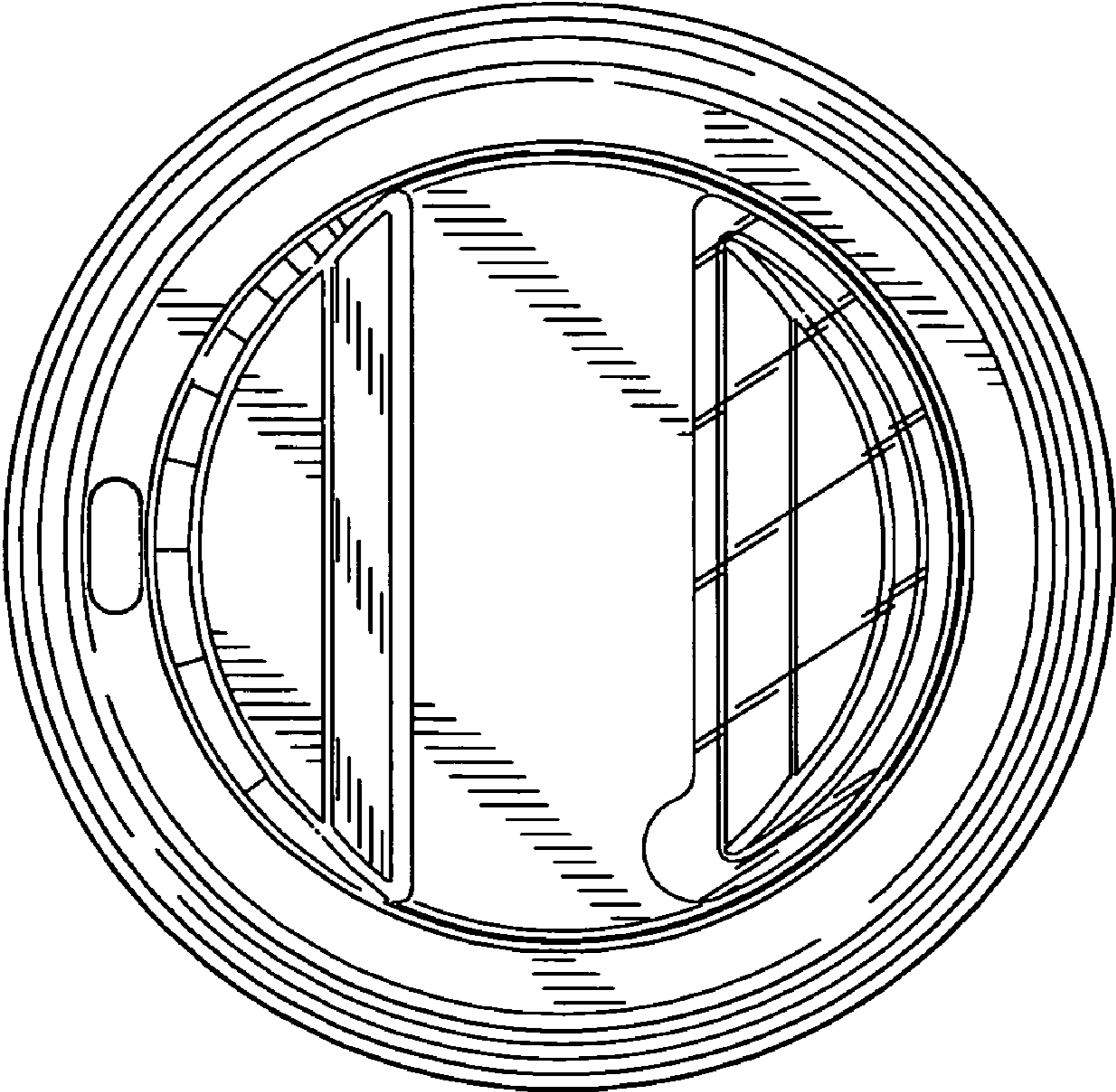


Fig. 3

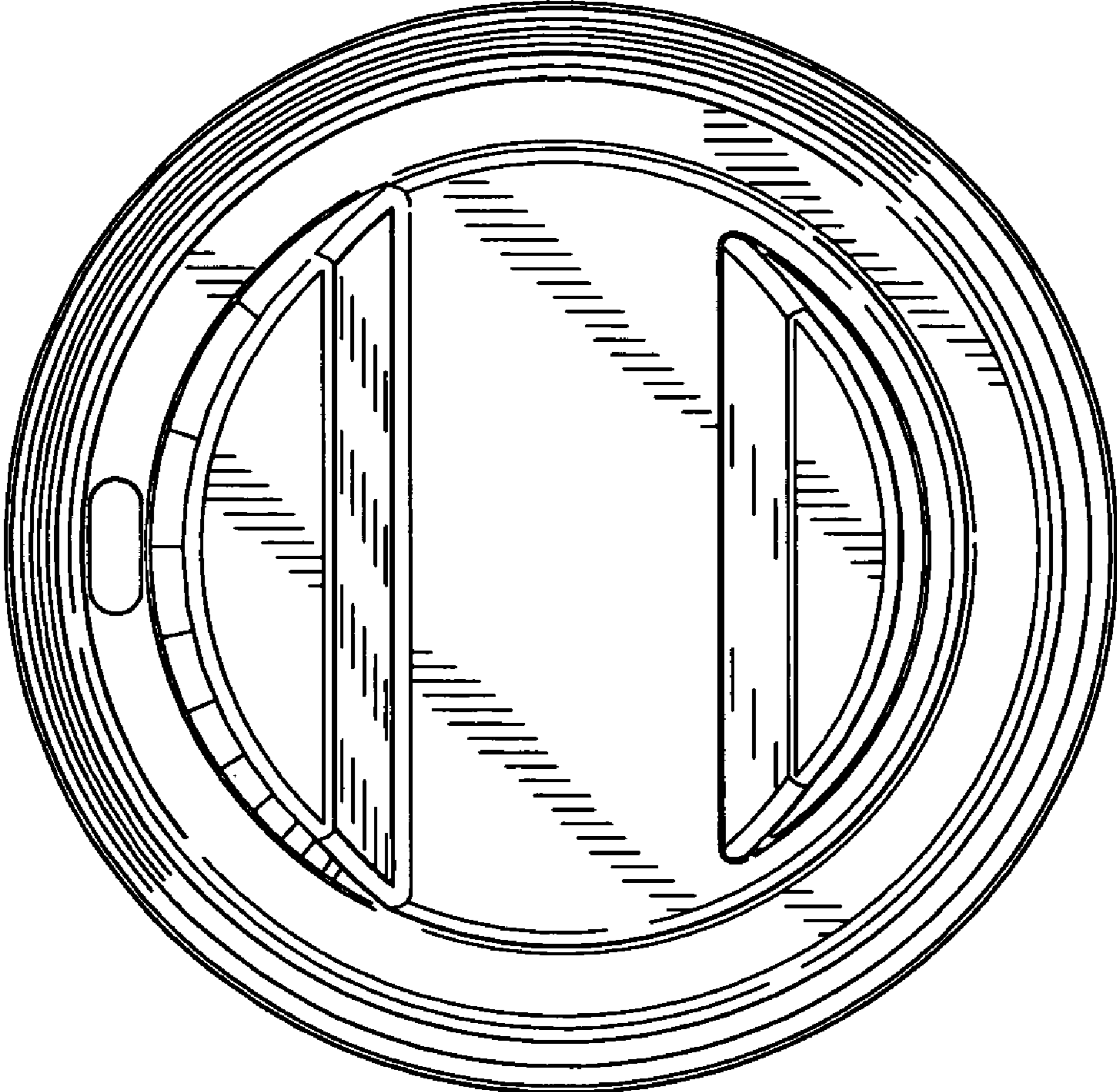


Fig. 4