



US00D634188S

(12) **United States Design Patent**  
**Sellari et al.**

(10) **Patent No.:** **US D634,188 S**  
(45) **Date of Patent:** **\*\* Mar. 15, 2011**

(54) **CONTAINER WITH A FLAT LID**  
(75) Inventors: **Robert Sellari**, Huntington, CT (US);  
**Bruce Stein**, Easton, CT (US); **Herb Knutson**, Waterbury, CT (US)

(73) Assignee: **Inline Plastics Corporation**, Shelton, CT (US)

(\*\*) Term: **14 Years**

(21) Appl. No.: **29/368,425**

(22) Filed: **Aug. 24, 2010**

(51) **LOC (9) Cl.** ..... **09-03**

(52) **U.S. Cl.** ..... **D9/424**

(58) **Field of Classification Search** ..... D9/424,  
D9/414, 418-423, 425, 428-432, 435, 436,  
D9/455, 499; D3/202, 273, 328; D7/538,  
D7/601, 602, 604, 610, 612, 629; 206/486,  
206/488, 490, 503, 504, 557, 562, 565, 521.1,  
206/775, 776, 815, 822; 220/4.21, 4.23,  
220/266, 269, 270, 309.1, 309.2, 676, 781,  
220/786, 789, 790, 793; 229/400, 406, 407,  
229/906, 915, 925

See application file for complete search history.

(56) **References Cited**

**U.S. PATENT DOCUMENTS**

2,915,214 A \* 12/1959 Frankel ..... 220/266  
3,070,275 A \* 12/1962 Bostrom ..... 229/4.5  
3,773,207 A \* 11/1973 Dokoupil et al. .... 220/270  
D256,650 S \* 9/1980 Juster ..... D7/629  
D306,974 S \* 4/1990 Tholstrup ..... D9/424

D312,400 S \* 11/1990 Schwaikert ..... D9/424  
D375,683 S \* 11/1996 Schoff ..... D9/429  
D452,821 S \* 1/2002 Westphal ..... D9/429  
D501,764 S \* 2/2005 Lerner ..... D7/629  
D514,931 S \* 2/2006 Snedden et al. .... D9/425  
7,073,680 B2 \* 7/2006 Boback et al. .... 220/266  
7,118,003 B2 \* 10/2006 Sellari et al. .... 220/266  
D569,684 S \* 5/2008 Eide et al. .... D7/396.1

\* cited by examiner

*Primary Examiner* — Stella M Reid

*Assistant Examiner* — Derrick Holland

(74) *Attorney, Agent, or Firm* — Edwards Angell Palmer & Dodge LLP

(57) **CLAIM**

The ornamental design for a container with a flat lid, as shown and described.

**DESCRIPTION**

This application is being filed concurrently with a design patent application for a Container With a Domed Lid Ser. No. 29/368,437, also invented by the inventors named above.

FIG. 1 is a rear perspective view of a container with a flat lid showing our new design;

FIG. 2 is a rear elevation view thereof;

FIG. 3 is a left side elevation view thereof;

FIG. 4 is a front elevation view thereof;

FIG. 5 is a right side elevation view thereof;

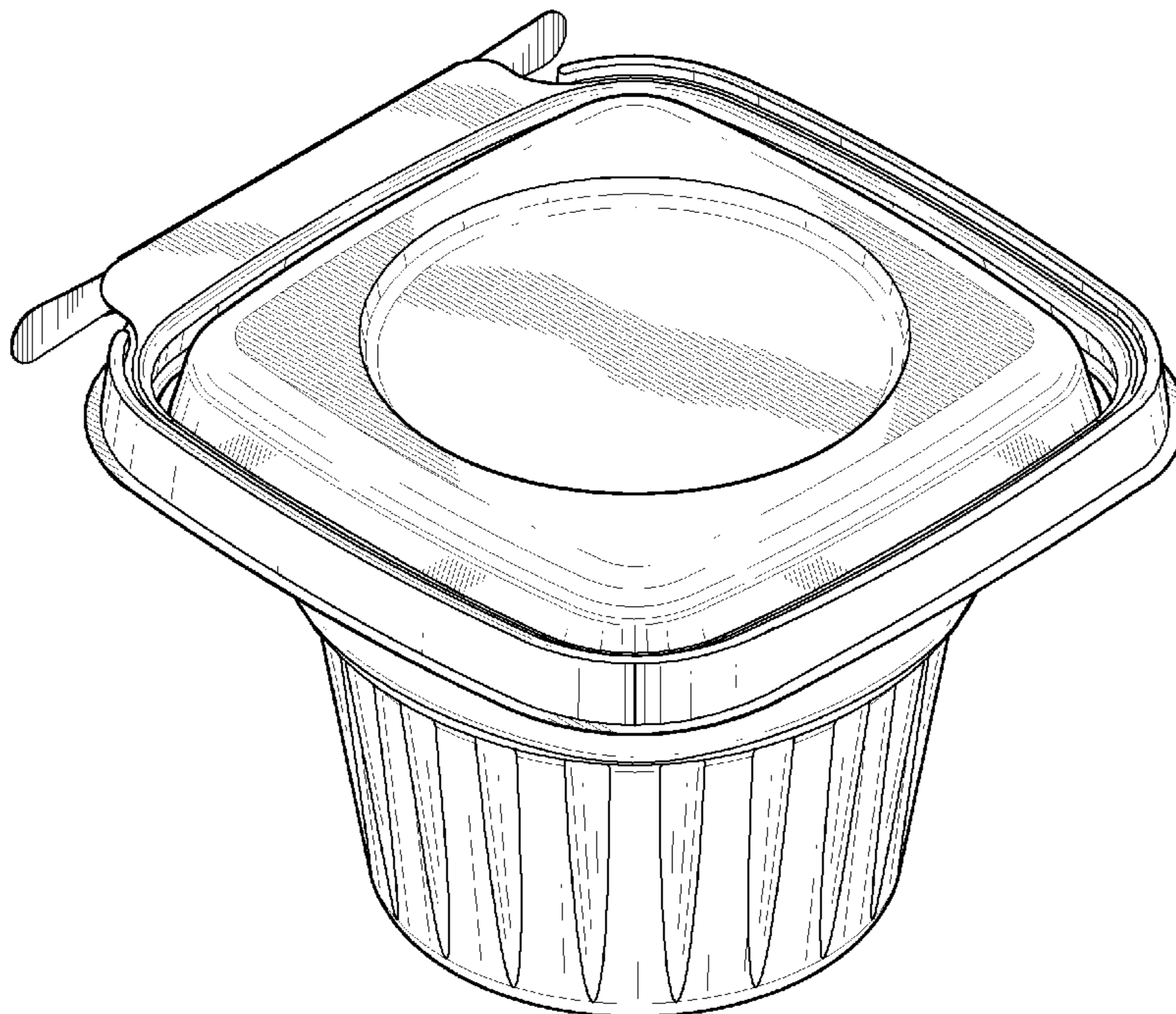
FIG. 6 is a top plan view thereof;

FIG. 7 is a bottom plan view thereof;

FIG. 8 is a front perspective view thereof; and,

FIG. 9 is a bottom perspective view thereof.

**1 Claim, 9 Drawing Sheets**



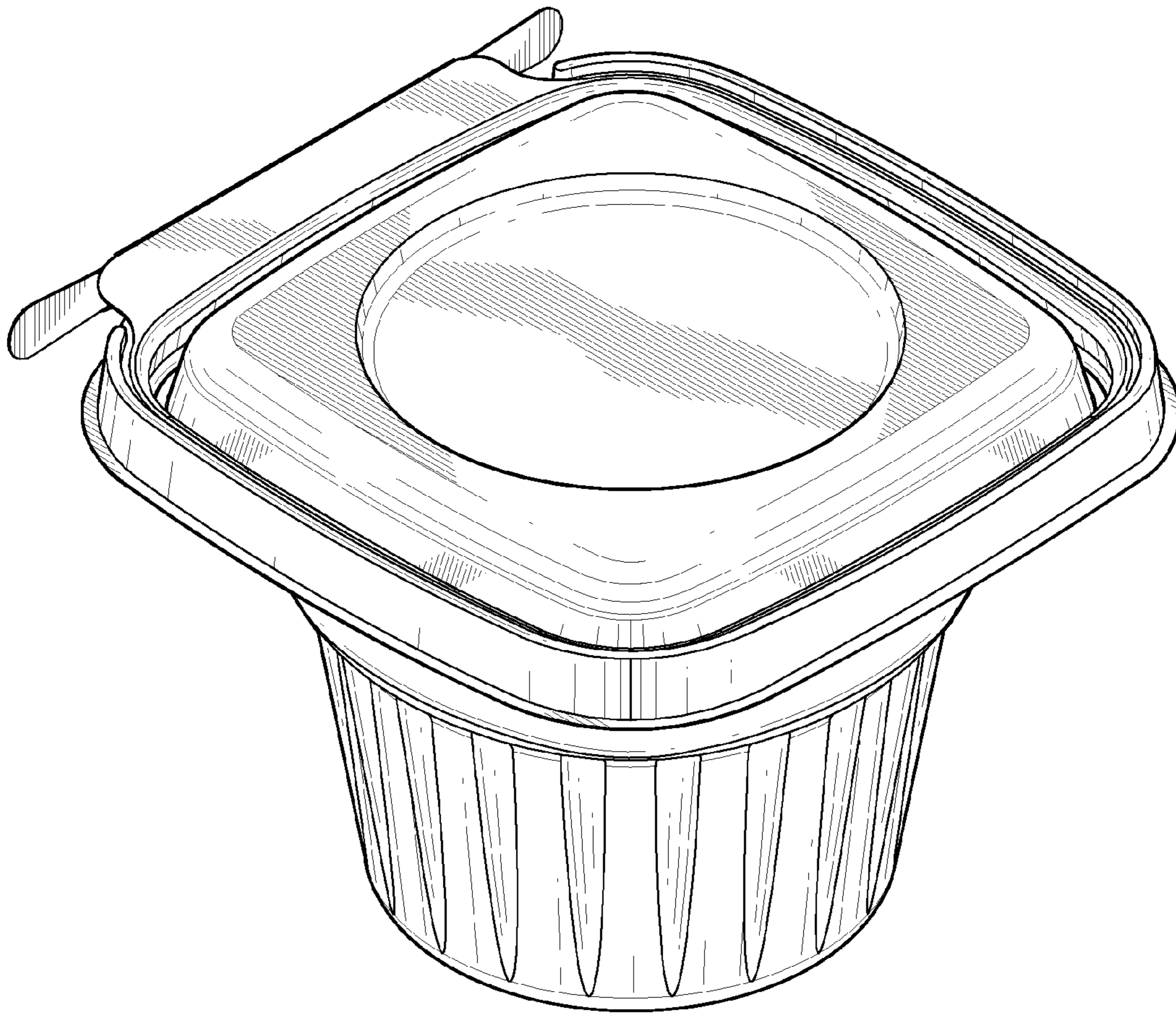


FIG.1

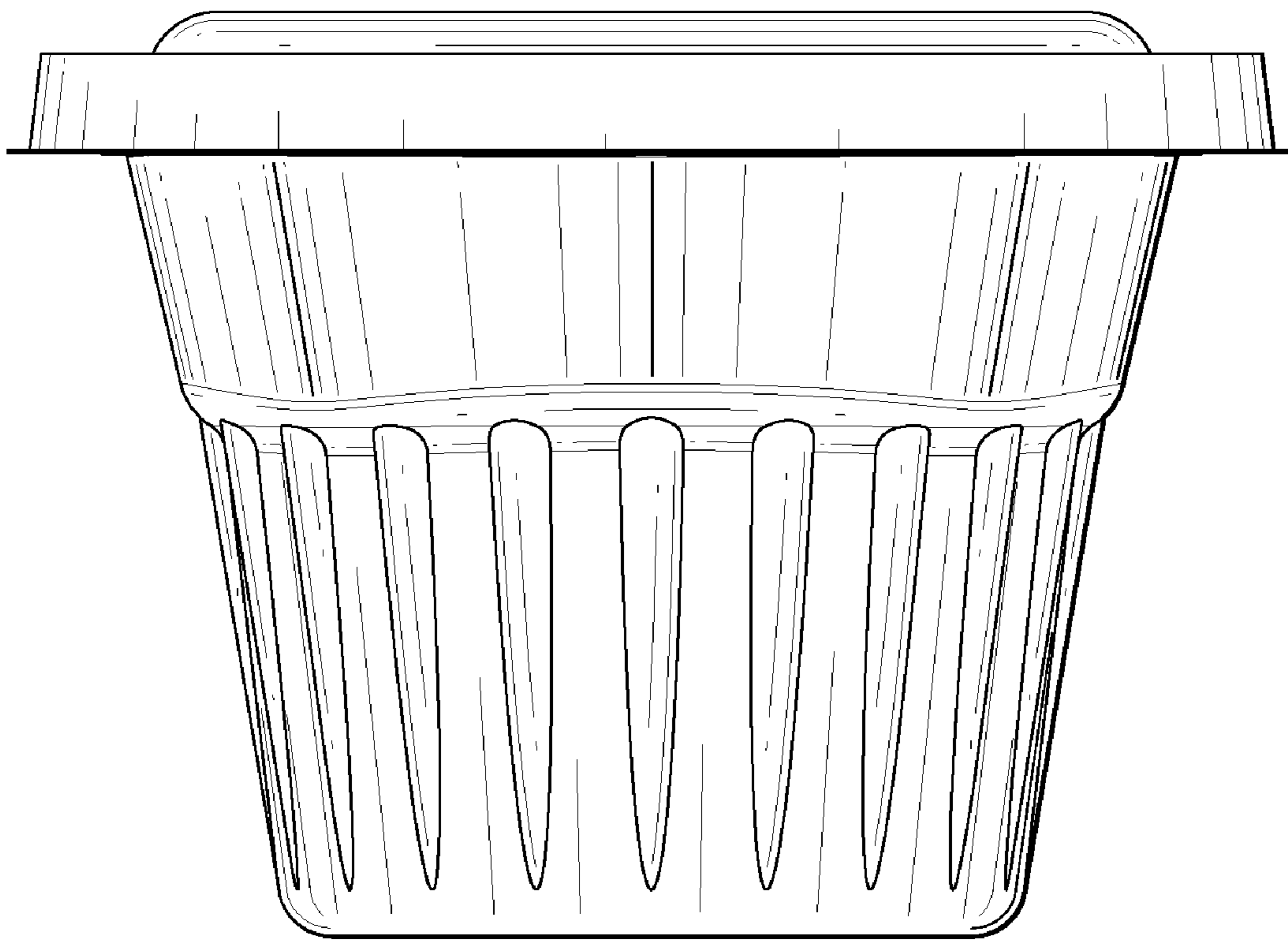


FIG.2

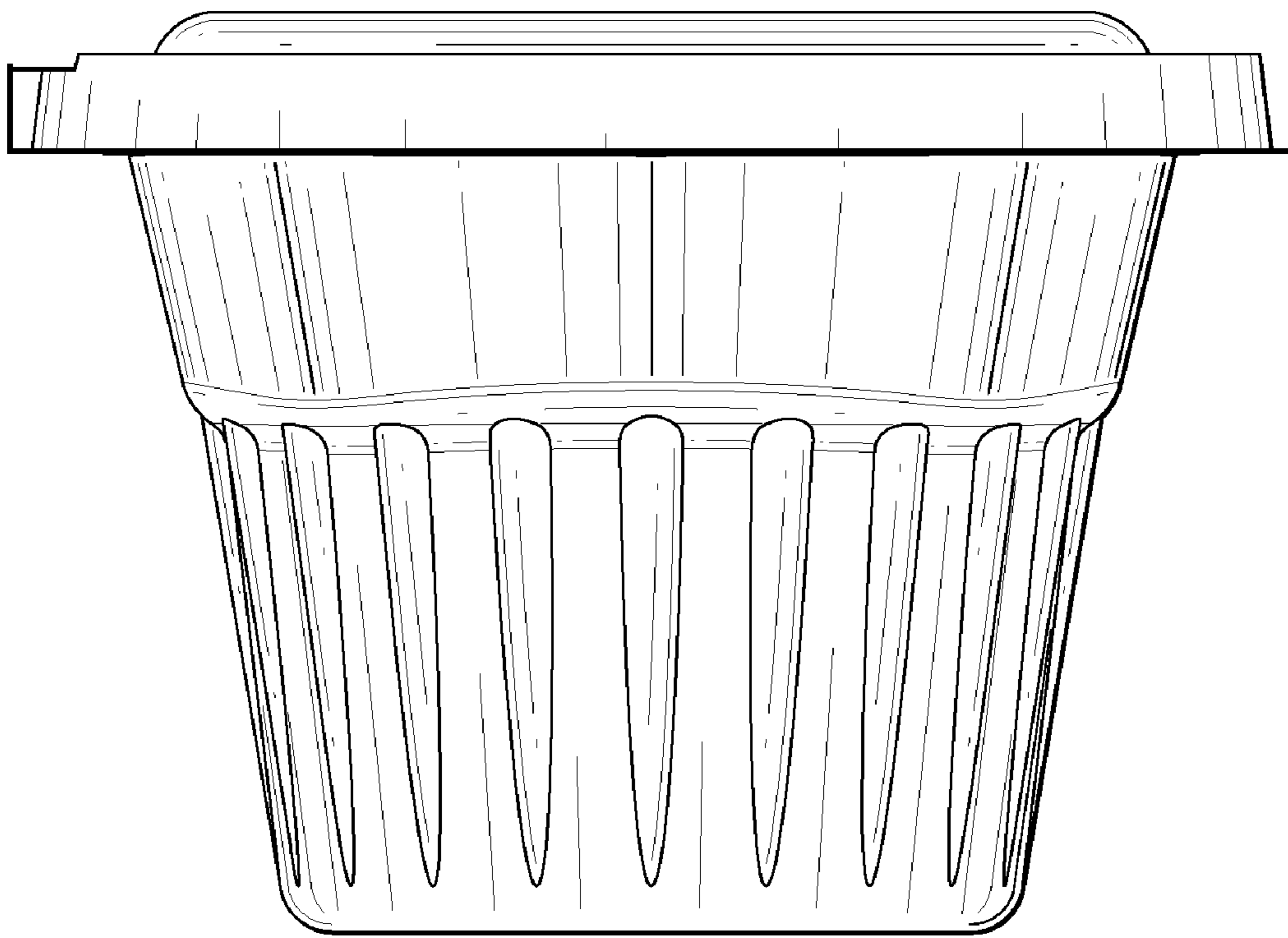


FIG.3



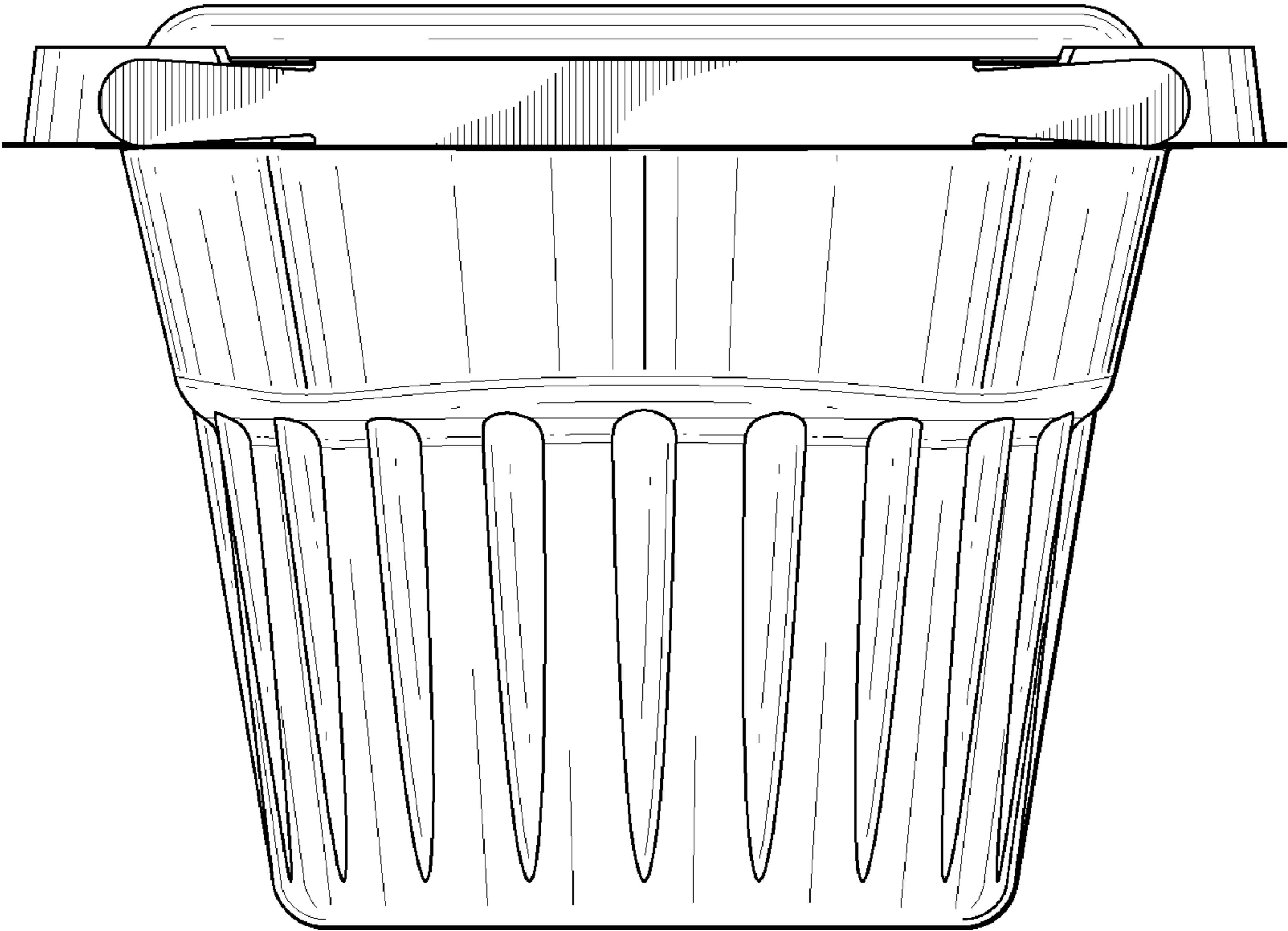


FIG.4

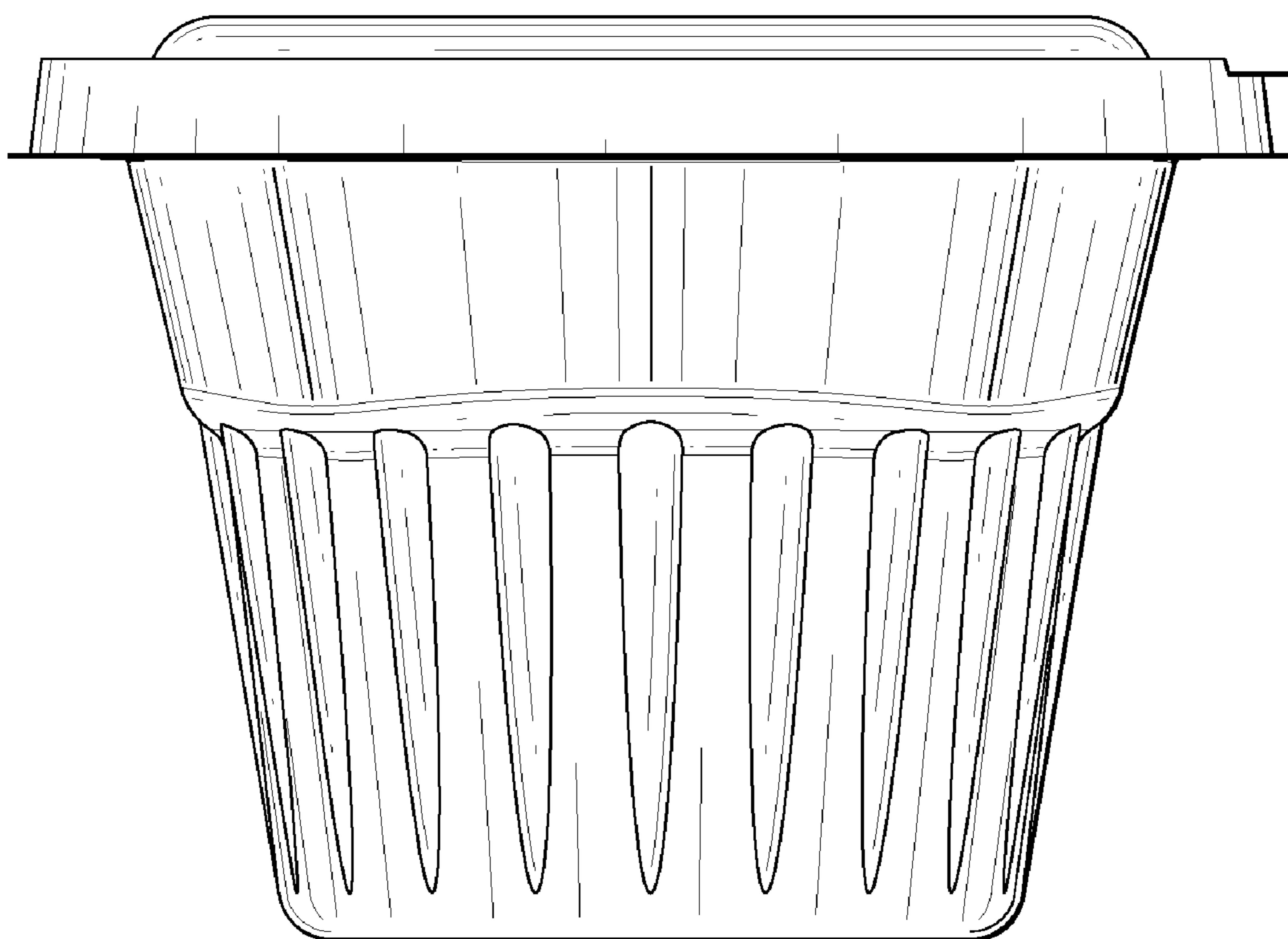


FIG.5

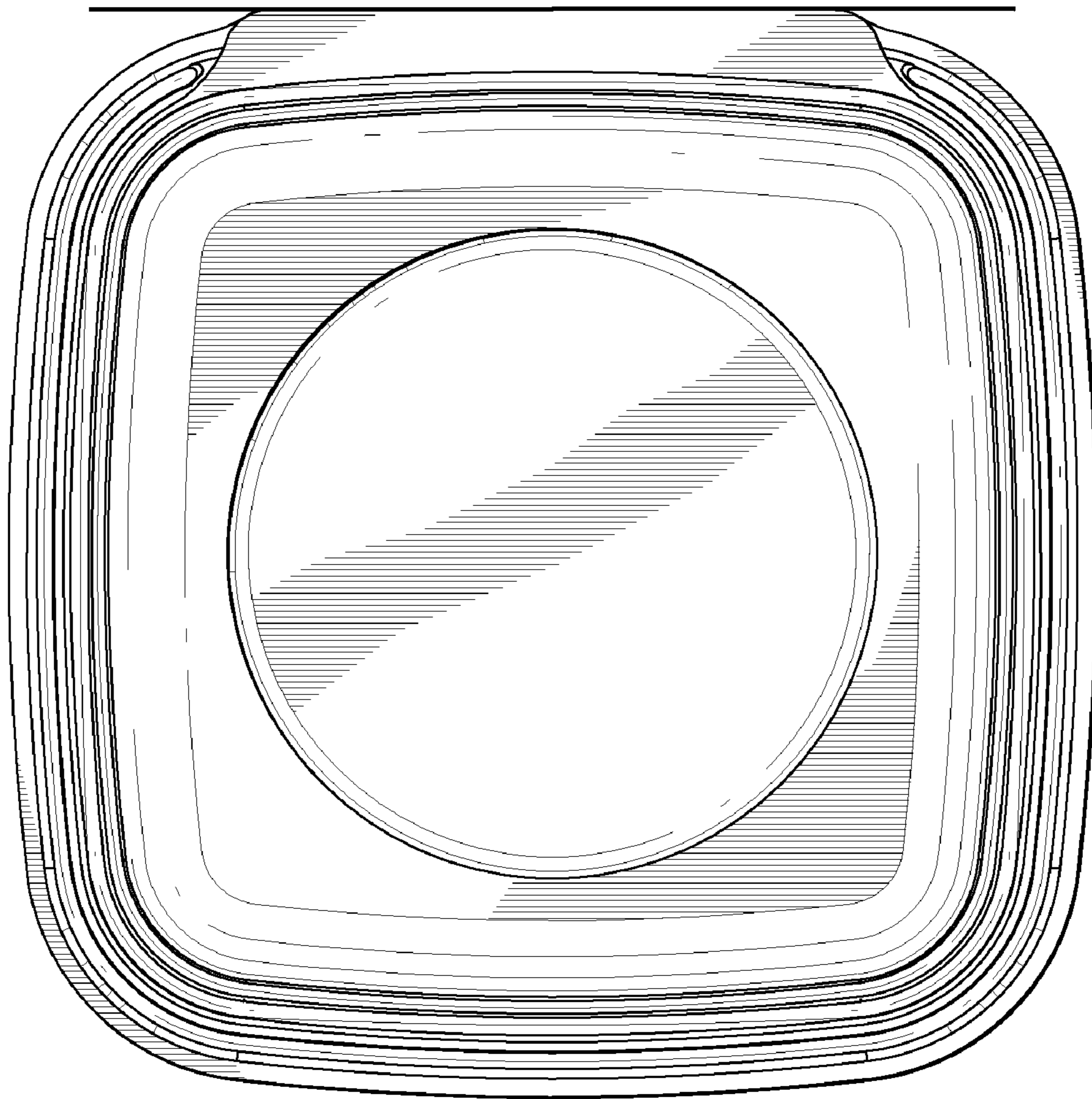


FIG.6

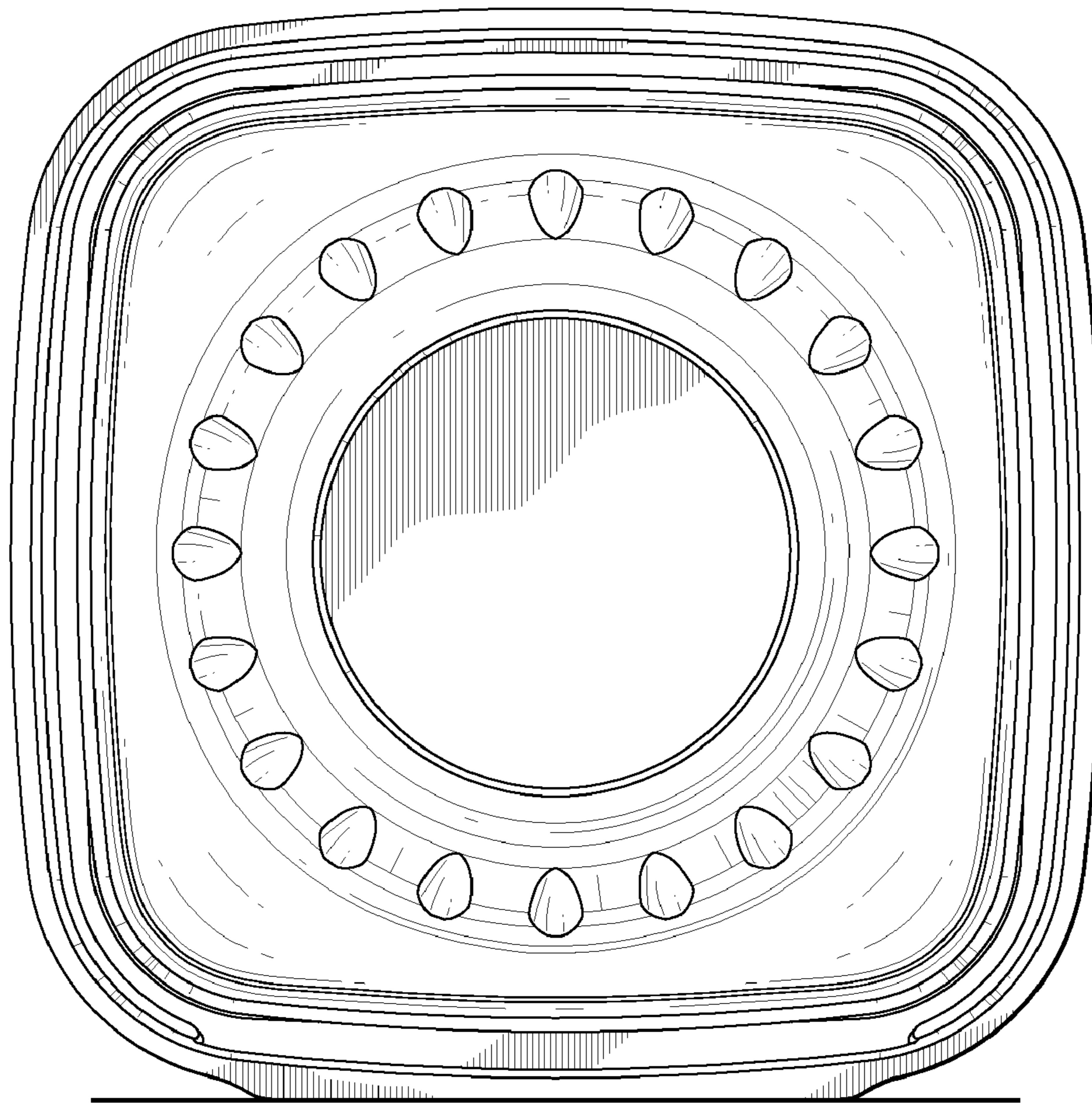


FIG.7



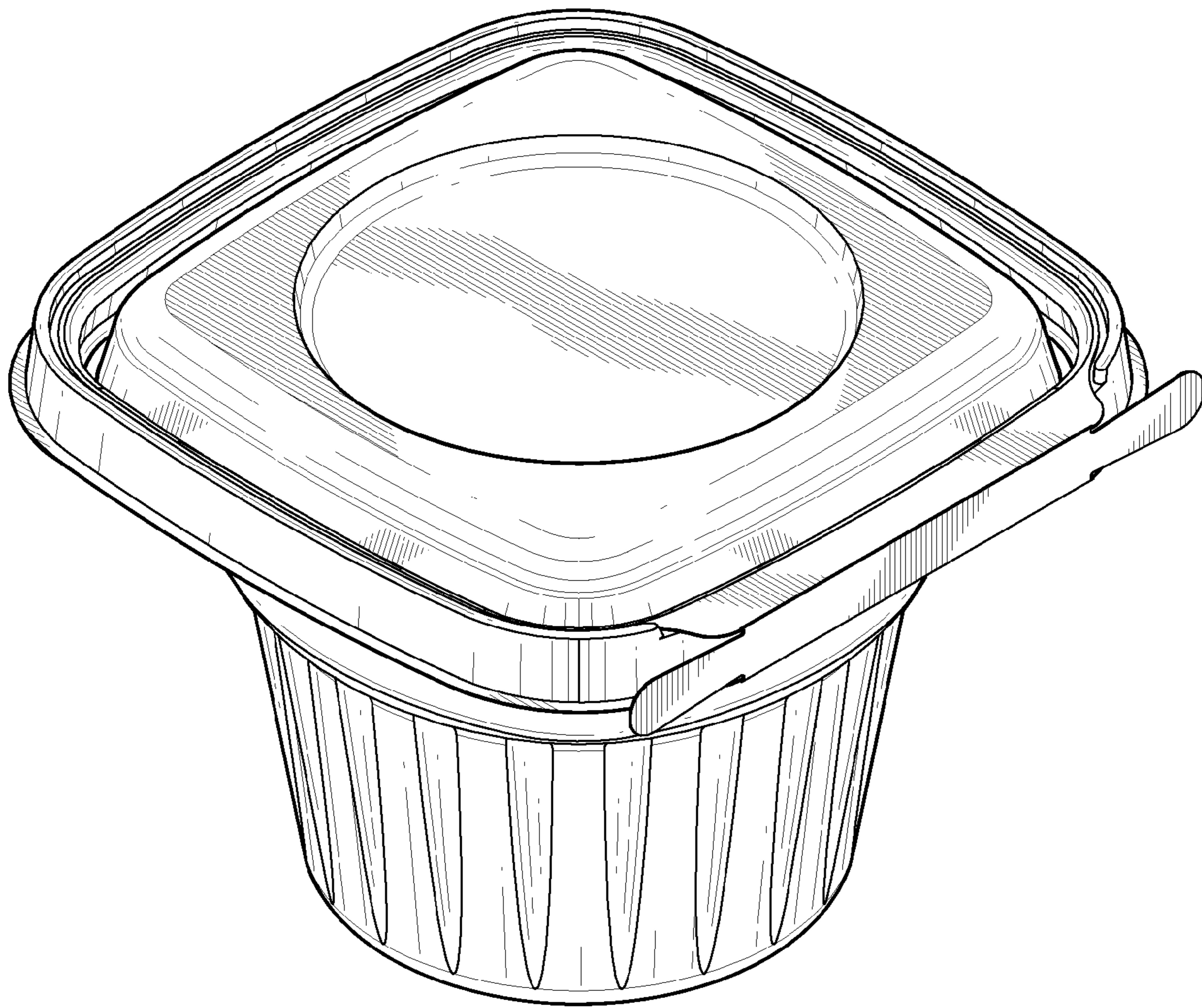


FIG.8

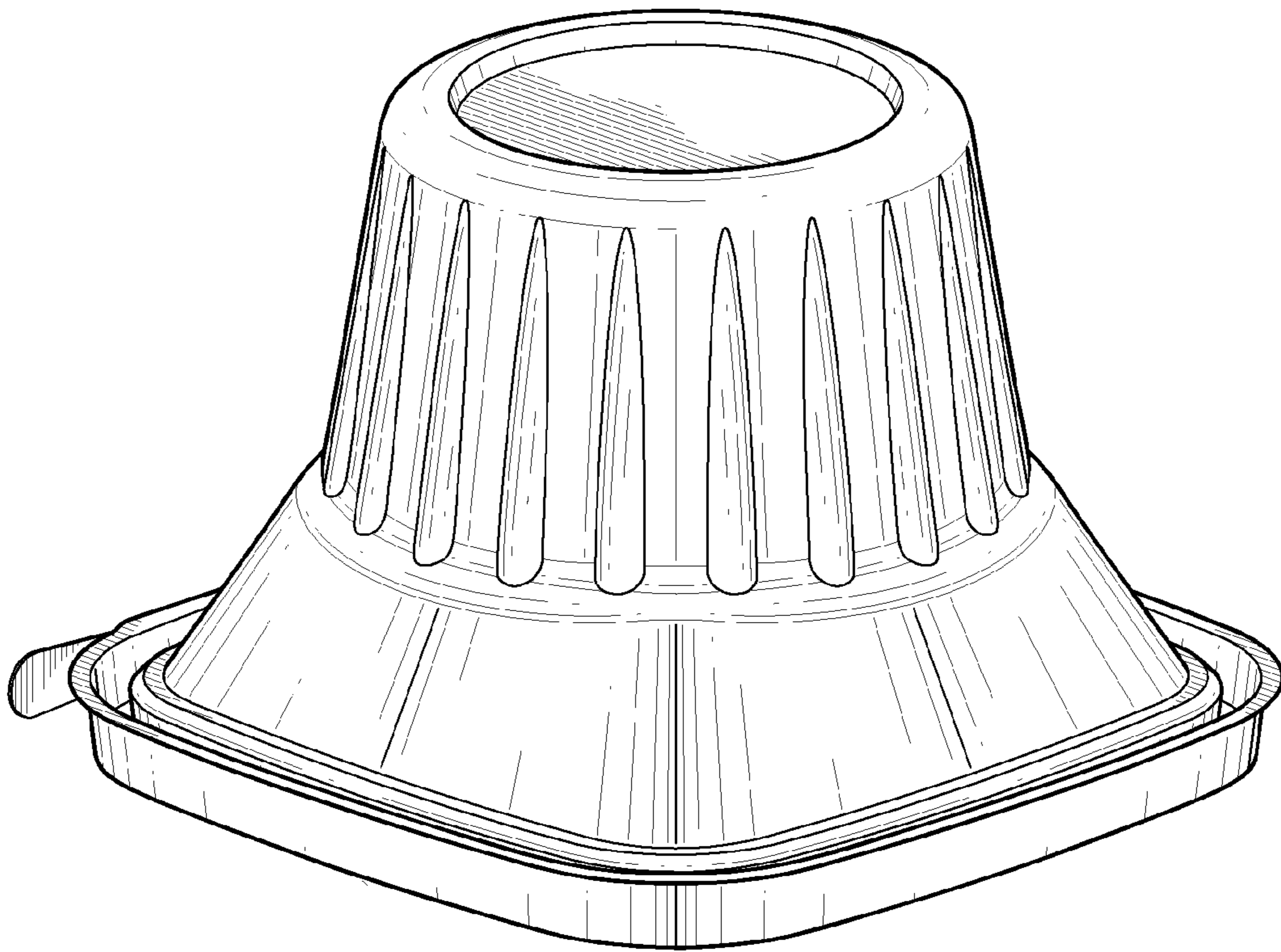


FIG.9