



US00D634187S

(12) **United States Design Patent**
Kozel

(10) **Patent No.:** **US D634,187 S**

(45) **Date of Patent:** **** Mar. 15, 2011**

(54) **HANGABLE CABLE TIE**

(76) Inventor: **Cyril J. Kozel**, Simpsonville, SC (US)

(**) Term: **14 Years**

(21) Appl. No.: **29/376,933**

(22) Filed: **Oct. 14, 2010**

(51) **LOC (9) Cl.** **08-03**

(52) **U.S. Cl.** **D8/396**

(58) **Field of Classification Search** D8/356,
D8/383, 394-396; 24/16 PB, 17 AP, 30.5 P,
24/30.5 S, 300-302, 339, DIG. 16; 248/58,
248/60, 74.3, 71; 70/16; 128/878
See application file for complete search history.

6,151,761	A *	11/2000	Thompson	24/16 PB
6,347,435	B1 *	2/2002	Davignon et al.	24/16 PB
6,364,257	B1	4/2002	Holder		
D472,135	S *	3/2003	Labbe	D8/394
6,539,589	B2 *	4/2003	Thompson	24/16 PB
6,704,972	B2 *	3/2004	Pyle	24/16 PB
D493,355	S *	7/2004	Dinh	D8/356
6,961,979	B2	11/2005	Wendle		
7,131,168	B2 *	11/2006	Pangallo	24/16 PB
7,360,281	B1 *	4/2008	MacCartey et al.	24/16 PB
D570,673	S	6/2008	Geiger et al.		
7,644,475	B2	1/2010	Canady		
2008/0177264	A1 *	7/2008	Alamin et al.	606/74
2010/0071169	A1 *	3/2010	Williams et al.	24/16 PB
2010/0306967	A1 *	12/2010	Geiger	24/16 PB

* cited by examiner

Primary Examiner — Celia A Murphy

Assistant Examiner — John Windmuller

(56) **References Cited**

U.S. PATENT DOCUMENTS

2,936,980	A *	5/1960	Rapata	24/16 PB
3,224,056	A *	12/1965	Joffe	24/16 R
D205,659	S *	9/1966	Plasecki	D8/394
3,461,510	A *	8/1969	Holmes	24/16 PB
4,093,288	A *	6/1978	Suzuki	292/321
D265,055	S *	6/1982	Bone	D8/394
5,088,158	A *	2/1992	Burkholder	24/16 PB
5,102,075	A	4/1992	Dyer		
5,159,728	A	11/1992	Bingold		
D347,156	S	5/1994	Starrett et al.		
5,395,343	A *	3/1995	Iscovich	604/179
D363,212	S *	10/1995	Hill	D8/396
5,651,376	A *	7/1997	Thompson	128/878
5,915,629	A *	6/1999	Ribeiro	24/16 R
D424,923	S *	5/2000	Lodi	D8/396

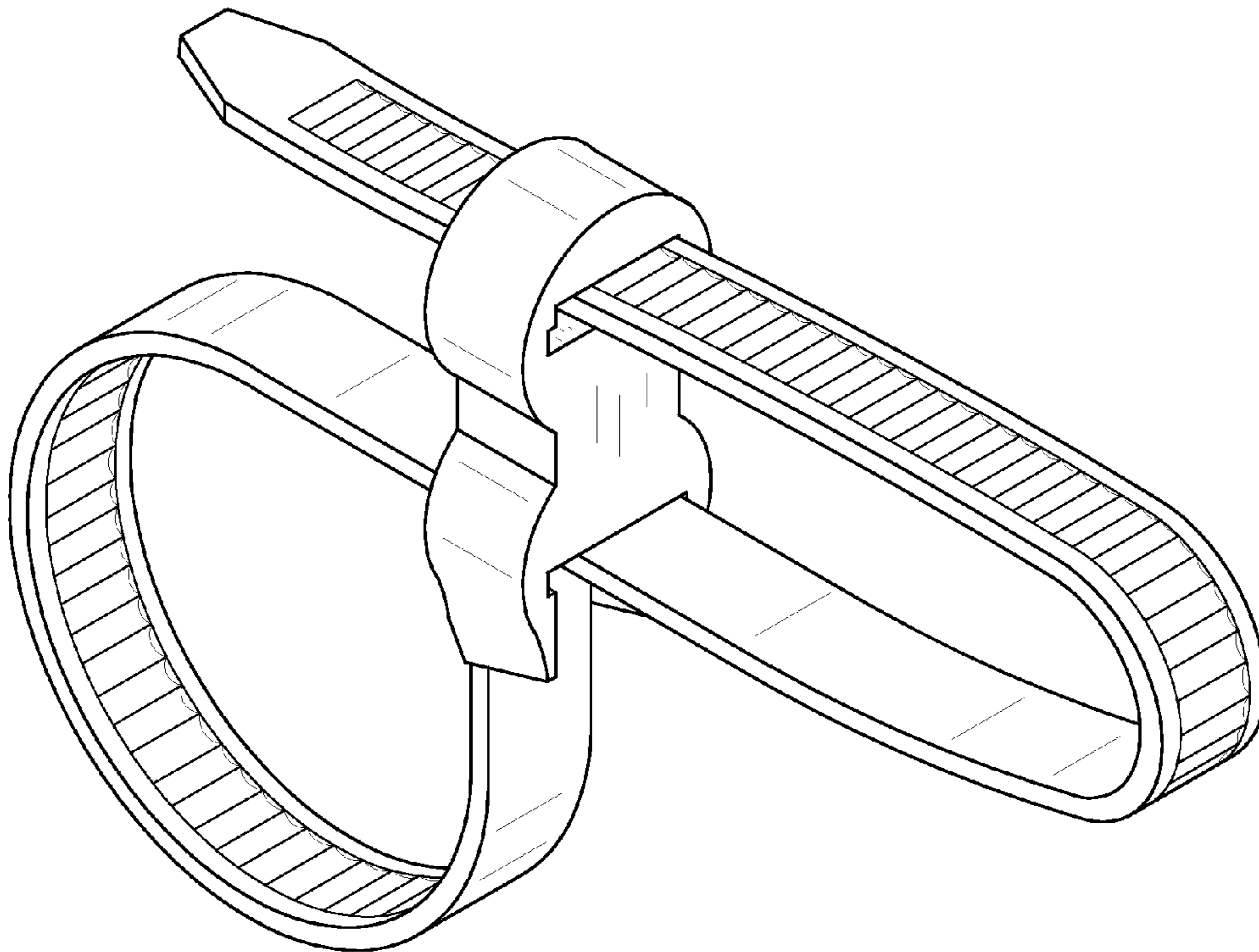
(57) **CLAIM**

The ornamental design for a hangable cable tie, as shown and described.

DESCRIPTION

FIG. 1 is a perspective view of a hangable cable tie showing my new design;
FIG. 2 is a side view (opposite side view is mirror image) thereof;
FIG. 3 is a top view thereof;
FIG. 4 is a bottom view thereof;
FIG. 5 is a back view thereof; and,
FIG. 6 is a front view thereof.

1 Claim, 3 Drawing Sheets



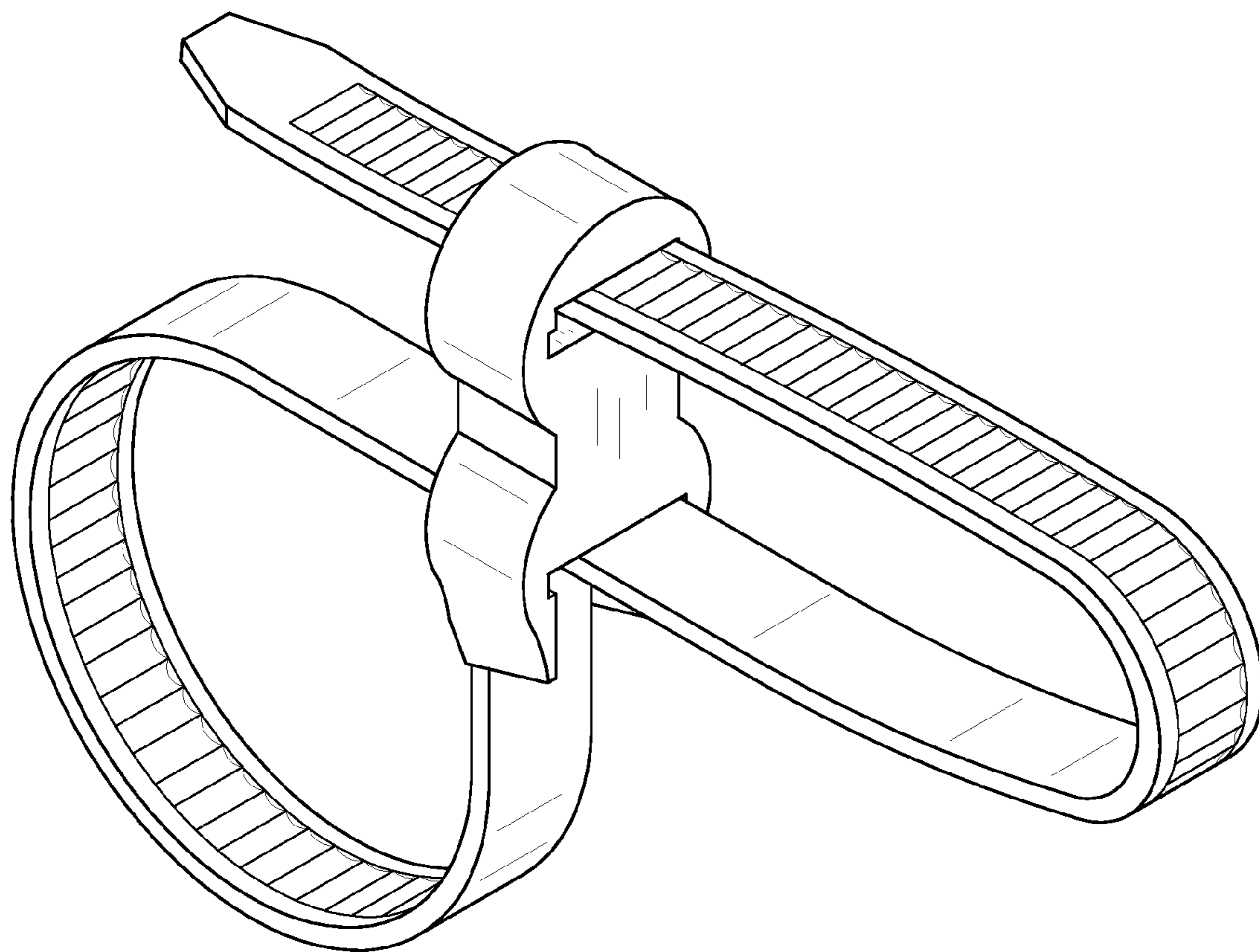


FIG. 1

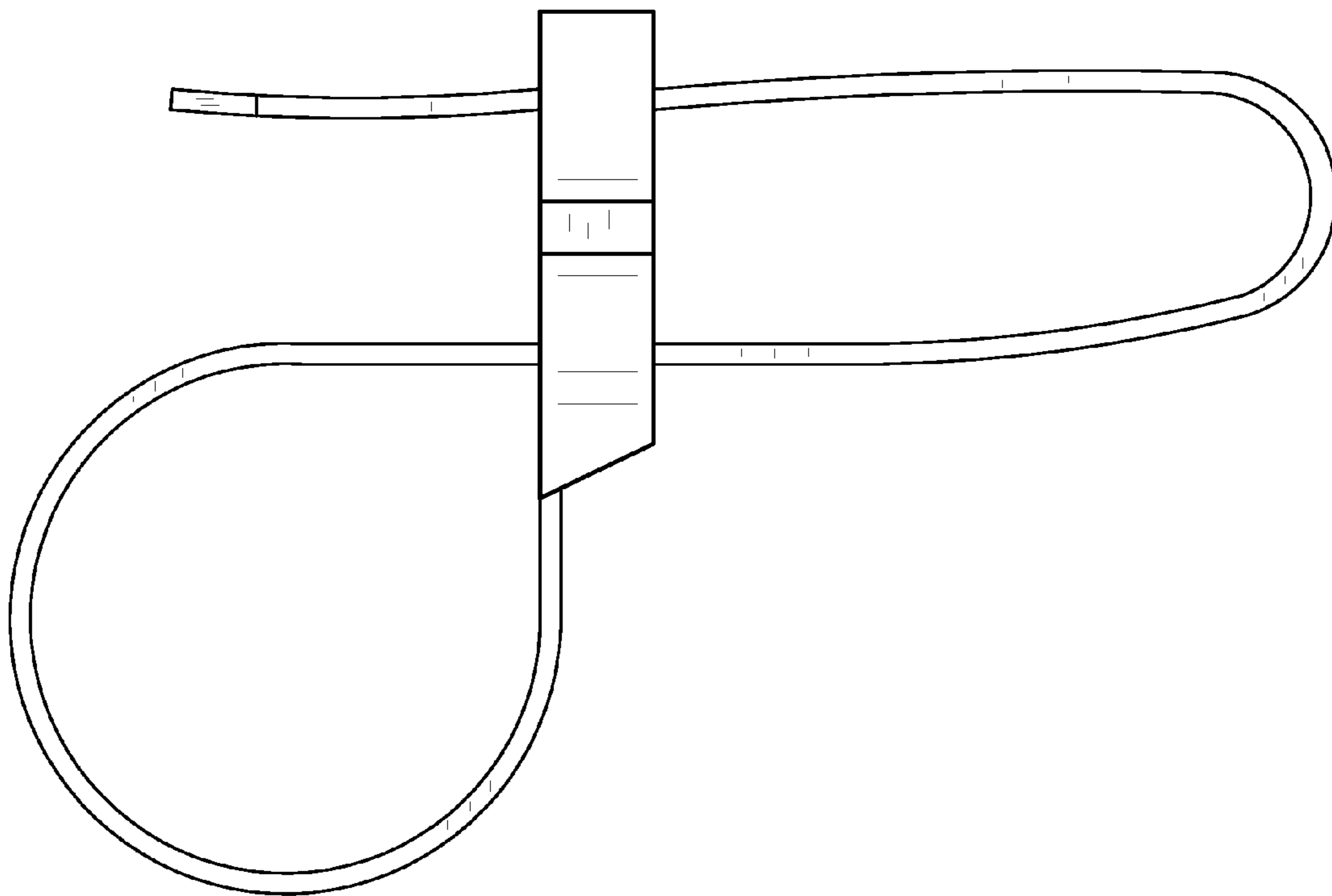


FIG. 2

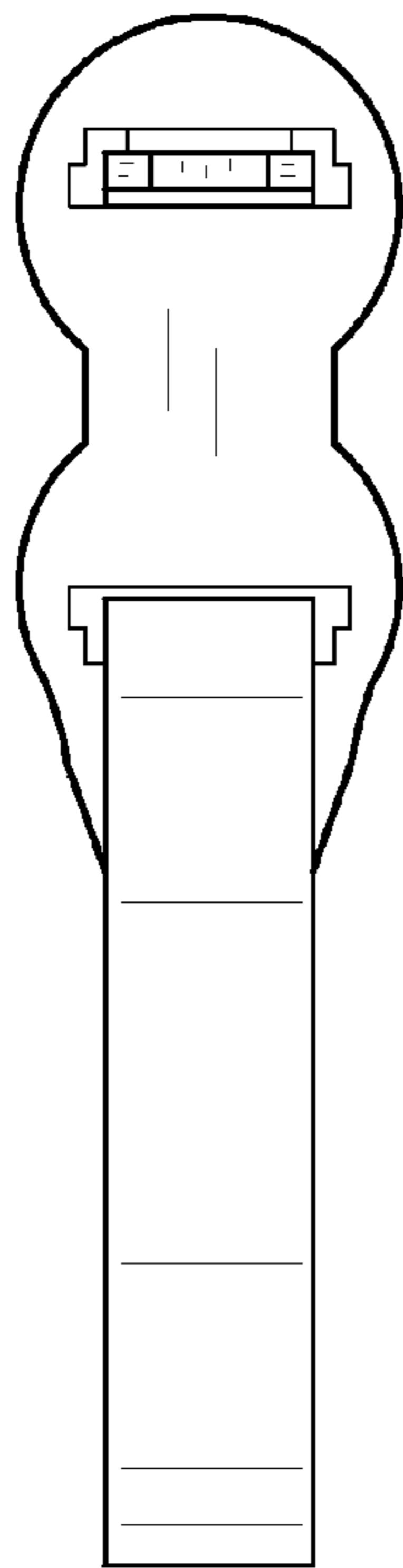


FIG. 3

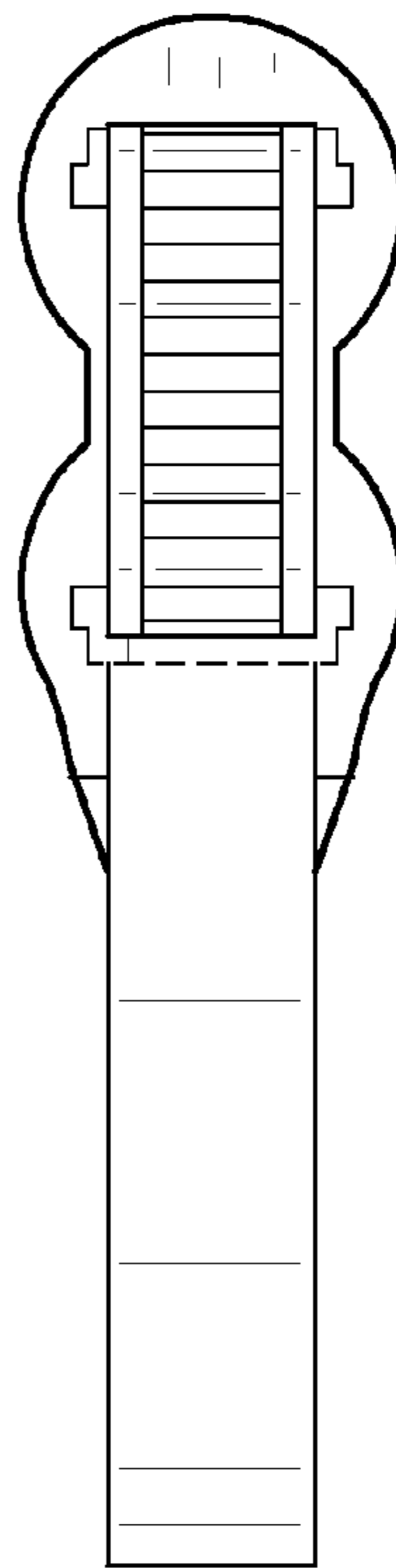


FIG. 4

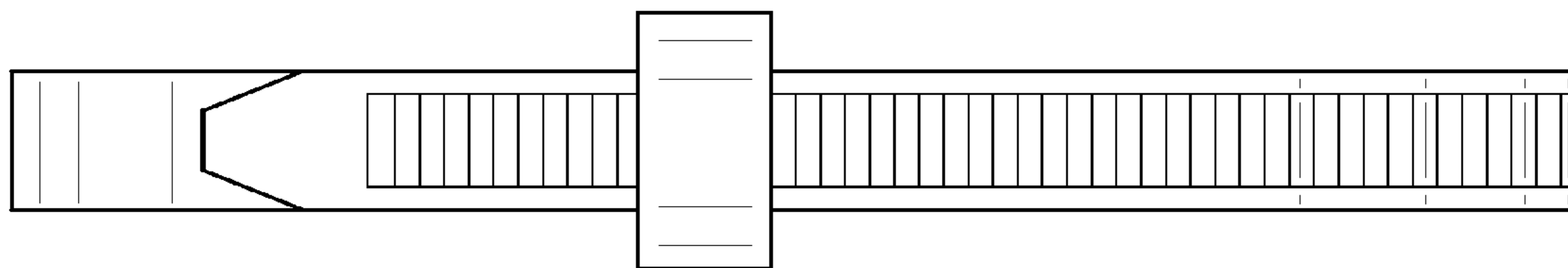


FIG. 5

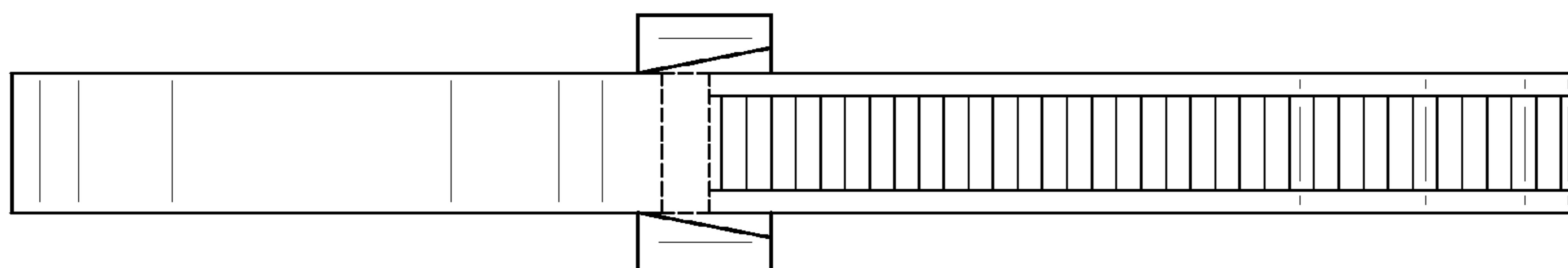


FIG. 6