



US00D634185S

(12) **United States Design Patent**
Klein et al.

(10) **Patent No.:** **US D634,185 S**
(45) **Date of Patent:** **** Mar. 15, 2011**

(54) **ADJUSTABLE CLOSET ROD**

(75) Inventors: **Richard B. Klein**, Overland Park, KS (US); **Mark A. Etter**, Independence, MO (US)

(73) Assignee: **Lynk, Inc.**, Lenexa, KS (US)

(**) Term: **14 Years**

(21) Appl. No.: **29/359,137**

(22) Filed: **Apr. 6, 2010**

(51) **LOC (9) Cl.** **08-05**

(52) **U.S. Cl.** **D8/376**

(58) **Field of Classification Search** D8/376-377;
211/105.1-105.3; 248/261-265; 160/38-39
See application file for complete search history.

(56) **References Cited**

U.S. PATENT DOCUMENTS

D436,025	S	*	1/2001	Ohm et al.	D8/376
D468,193	S	*	1/2003	Ohm et al.	D8/376
D534,062	S	*	12/2006	van den Bosch	D8/376
D610,849	S		3/2010	Klein		

OTHER PUBLICATIONS

- Lynk Double Hang, on sale more than one year prior to Apr. 6, 2010, the effective filing date of this application.
- Lynk Double Hang 2, on sale more than one year prior to Apr. 6, 2010, the effective filing date of this application.
- Commercial Closet Doubler, on sale more than one year prior to Apr. 6, 2010, the effective filing date of this application.
- Double Up Adjustable Closet Rod, on sale more than one year prior to Apr. 6, 2010, the effective filing date of this application.
- Double Hang Closet Rod, on sale more than one year prior to Apr. 6, 2010, the effective filing date of this application.
- Double Closet Rod, on sale more than one year prior to Apr. 6, 2010, the effective filing date of this application.
- Dublet Adjustable Closet Rod Expander by Umbra, on sale more than one year prior to Apr. 6, 2010, the effective filing date of this application.

Organize It All 1346W Closet Doubler, Chrome, on sale more than one year prior to Apr. 6, 2010, the effective filing date of this application.

Chrome Closet Doubling Road—Extra Closet Rod, on sale more than one year prior to Apr. 6, 2010, the effective filing date of this application.

Kangaroom Complete Closet—Extend-A-Rod, on sale more than one year prior to Apr. 6, 2010, the effective filing date of this application.

* cited by examiner

Primary Examiner — Holly H Baynham

(74) *Attorney, Agent, or Firm* — Stinson Morrison Hecker LLP

(57) **CLAIM**

The ornamental design for an adjustable closet rod, as shown and described.

DESCRIPTION

FIG. 1 a front perspective view of the claimed portion of the adjustable closet rod;

FIG. 2 is a top plan view of the claimed portion of the adjustable closet rod of FIG. 1;

FIG. 3 is a bottom plan view of the claimed portion of the adjustable closet rod of FIG. 1;

FIG. 4 is a left side elevational view of the claimed portion of the adjustable closet rod of FIG. 1;

FIG. 5 is a right side elevational view of the claimed portion of the adjustable closet rod FIG. 1;

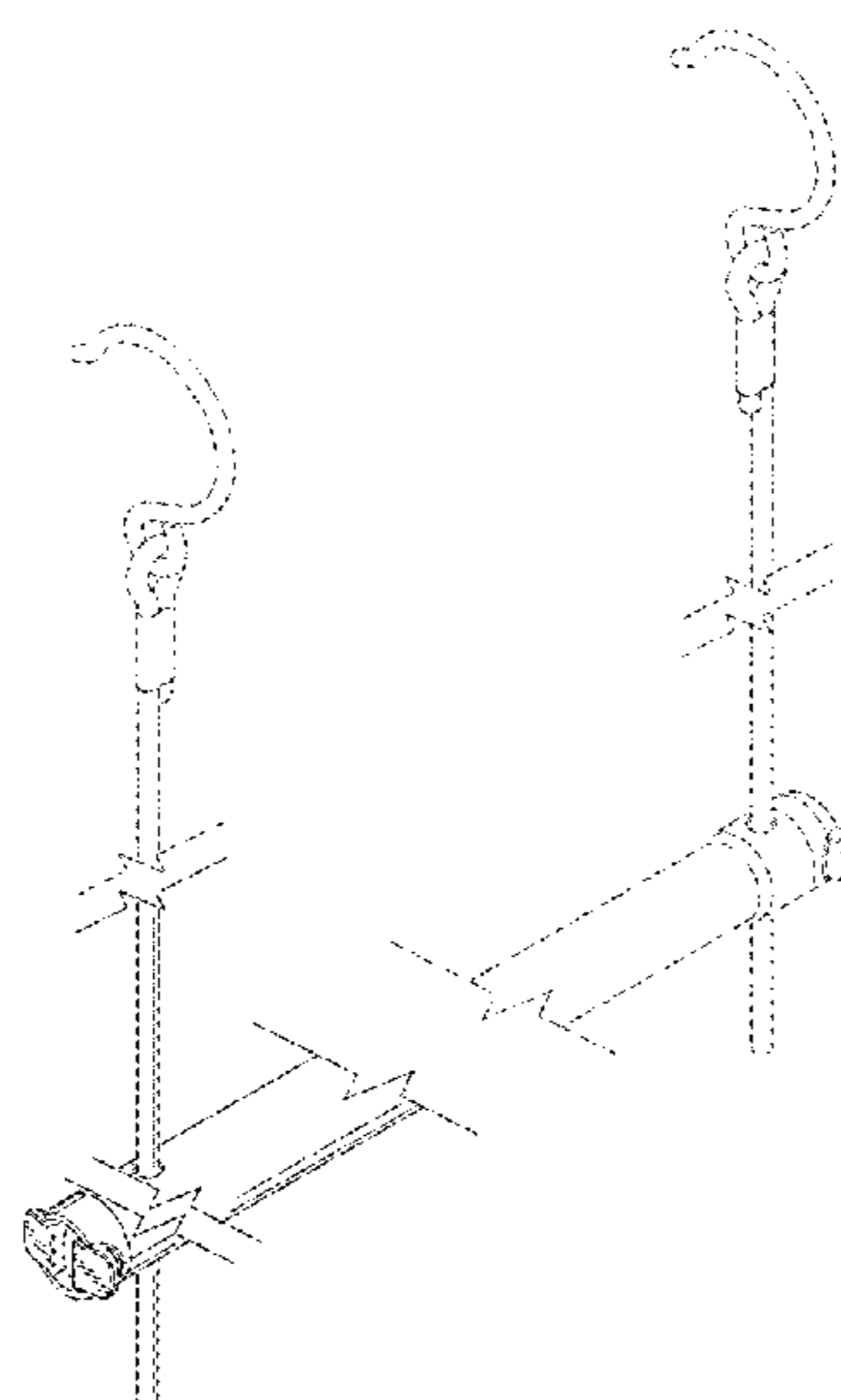
FIG. 6 is a front elevational view of the claimed portion of the adjustable closet rod of FIG. 1; and,

FIG. 7 is a rear elevational view of the claimed portion of the adjustable closet rod of FIG. 1.

The broken line showing of a portion of the rod is included for the purpose of illustrating environment and forms no part of the claimed design.

The rod has been shown broken away to indicate indeterminate length.

1 Claim, 2 Drawing Sheets



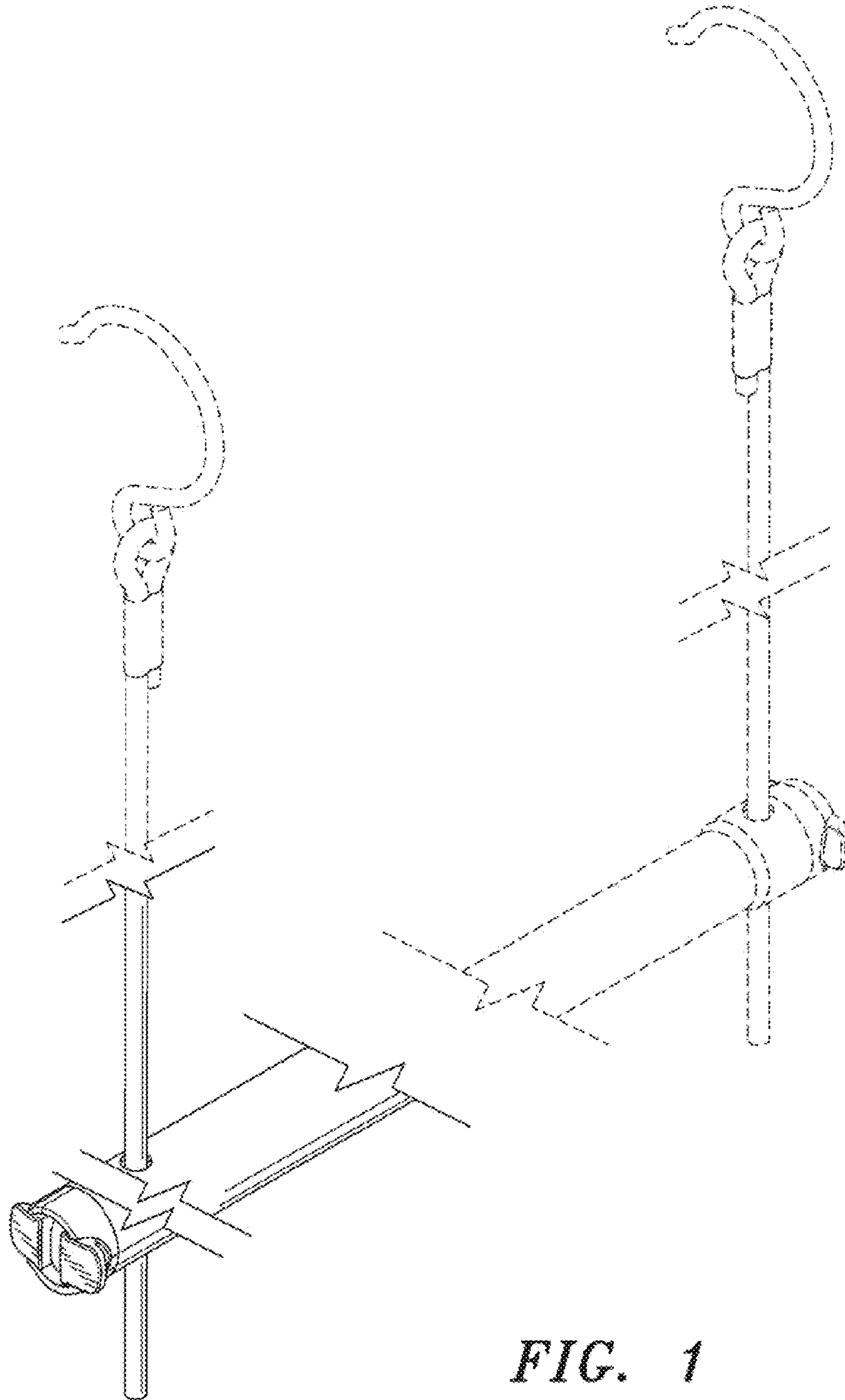


FIG. 1

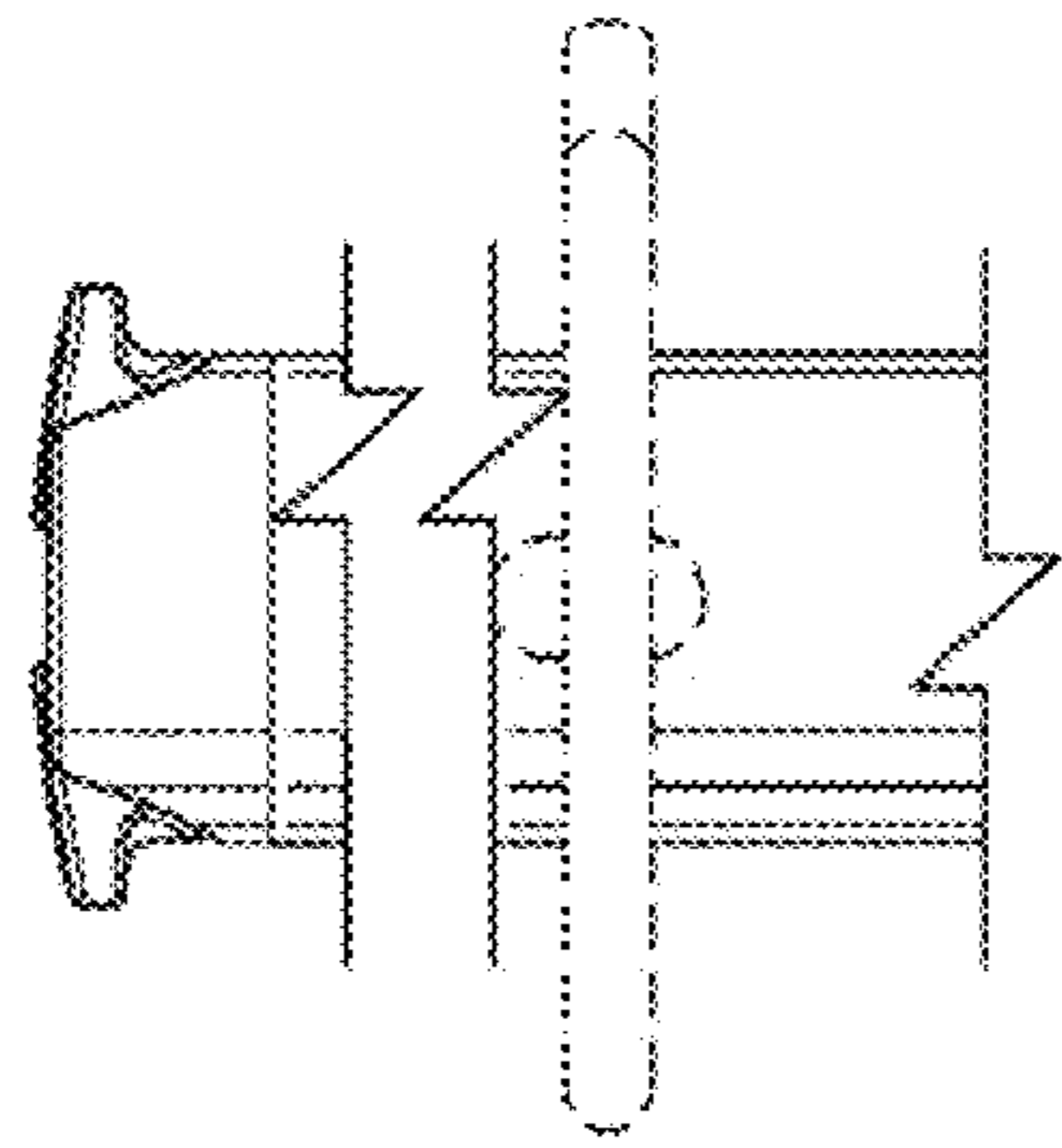


FIG. 2

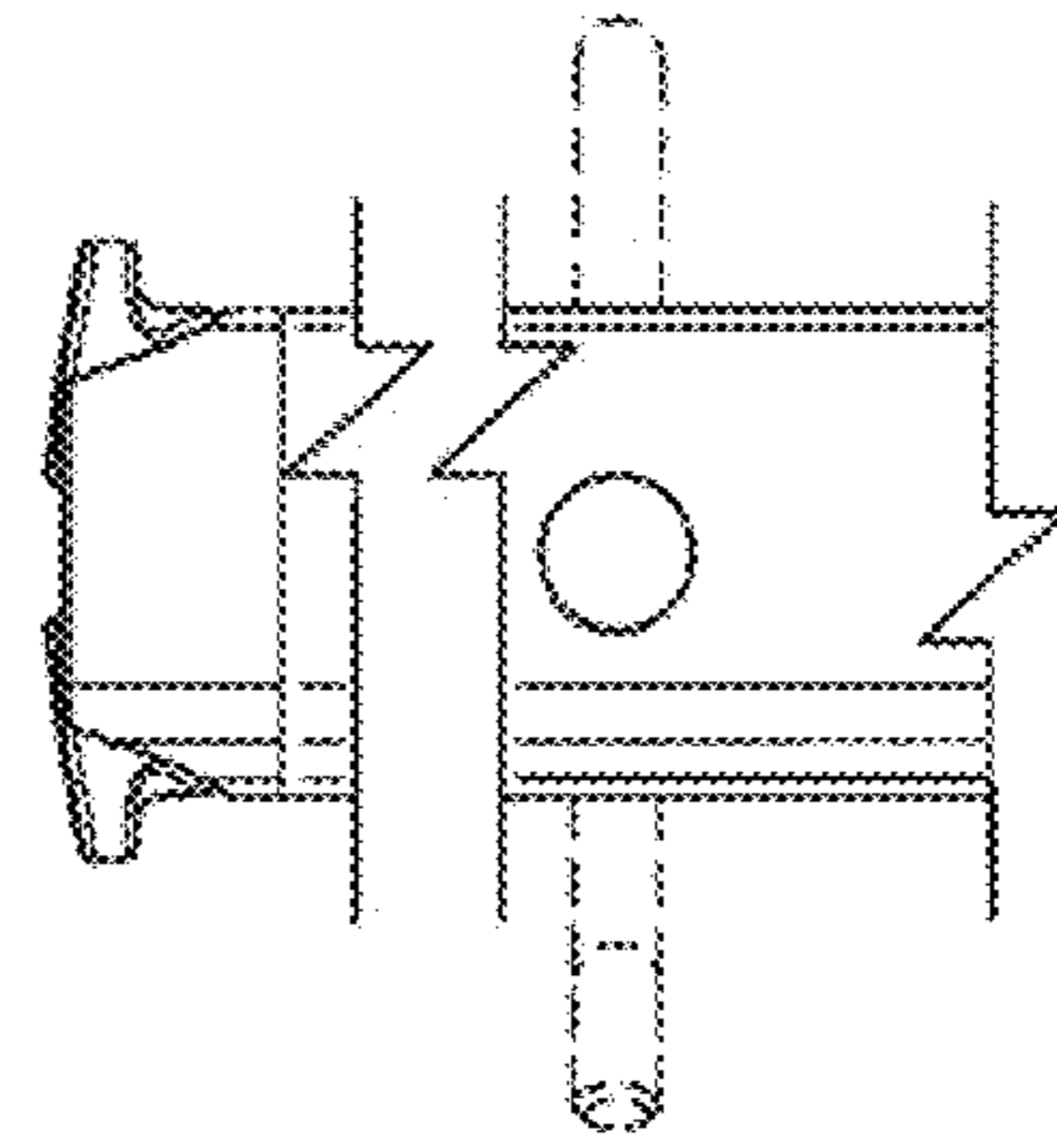


FIG. 3

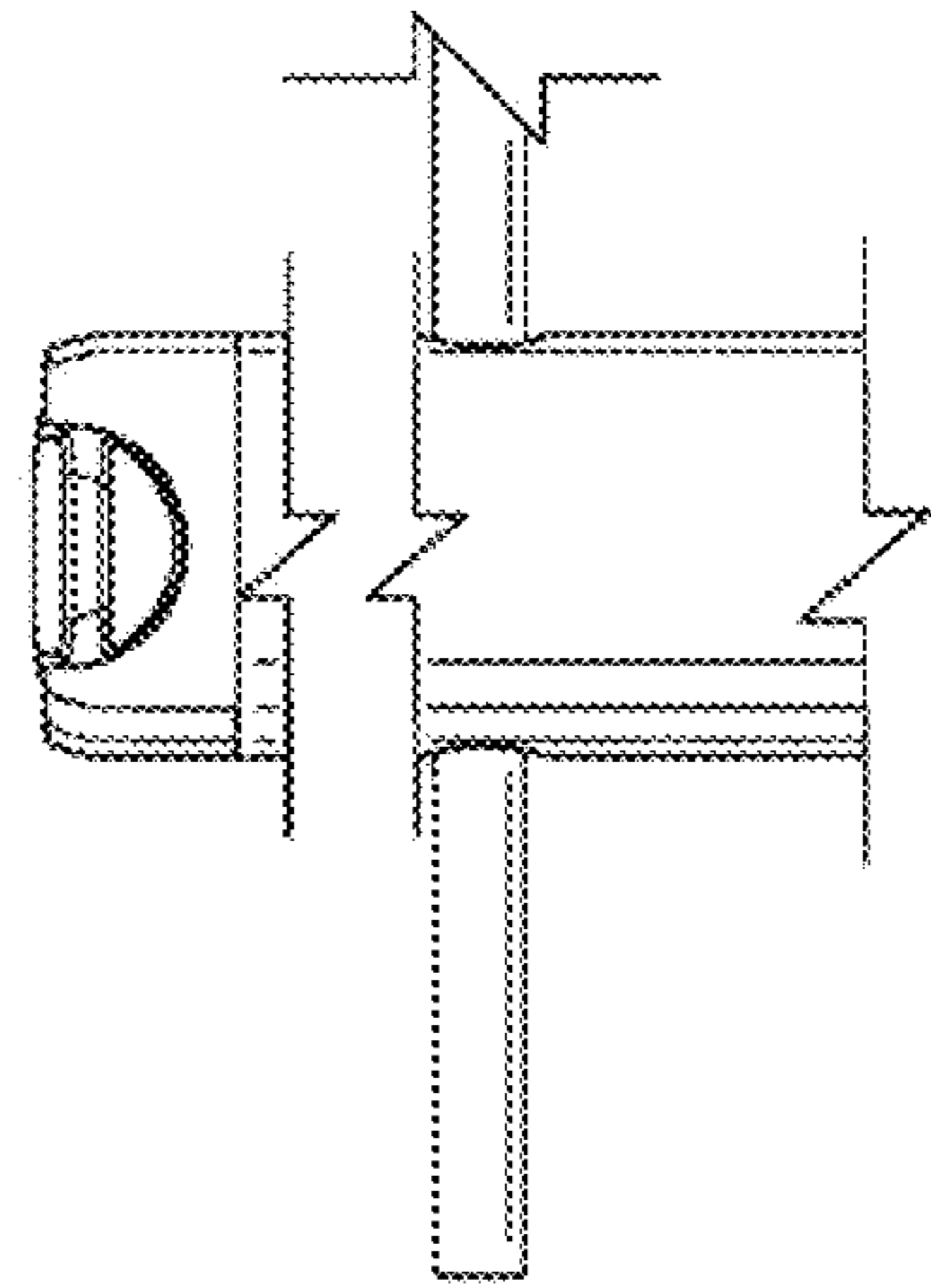


FIG. 4

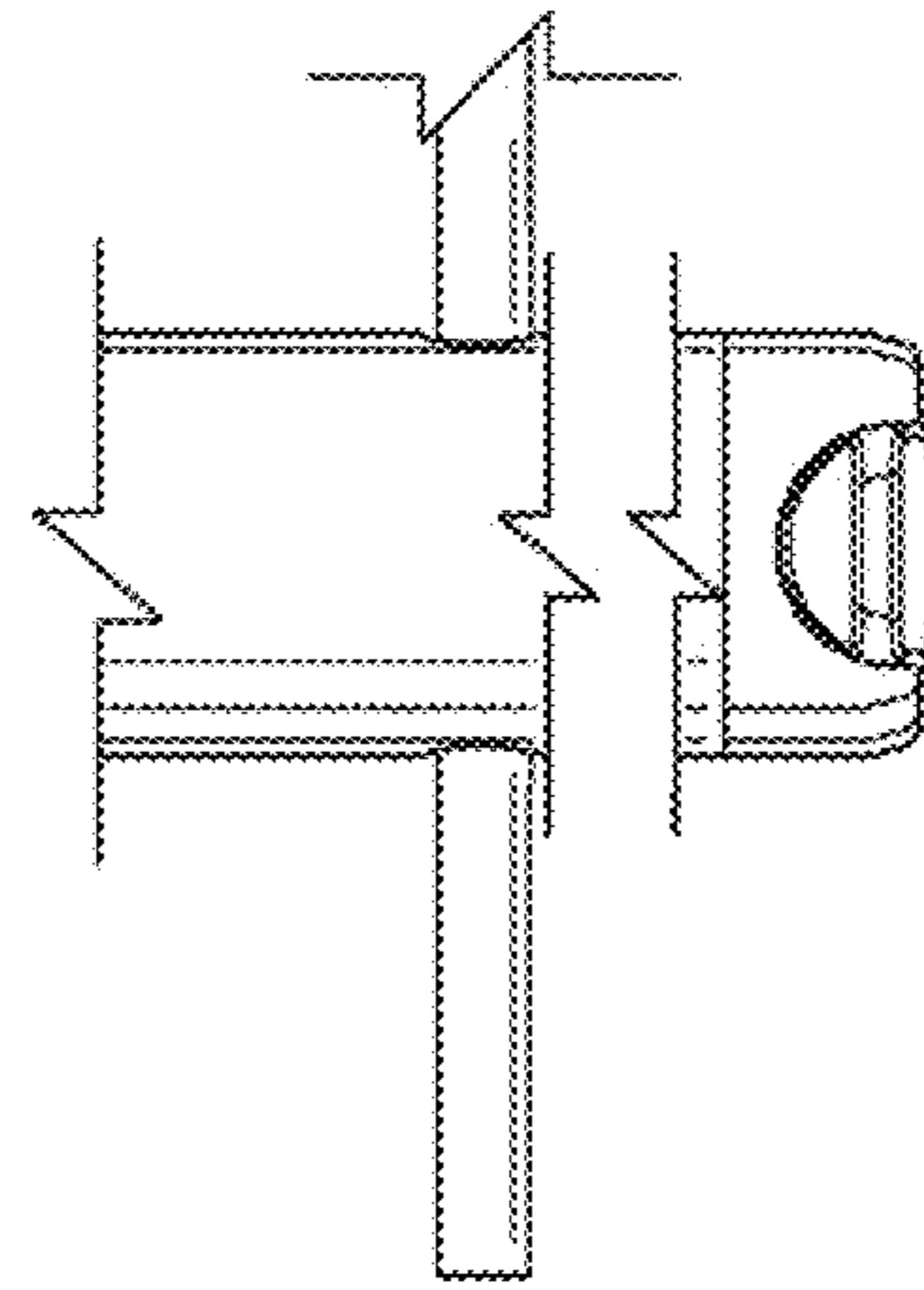


FIG. 5

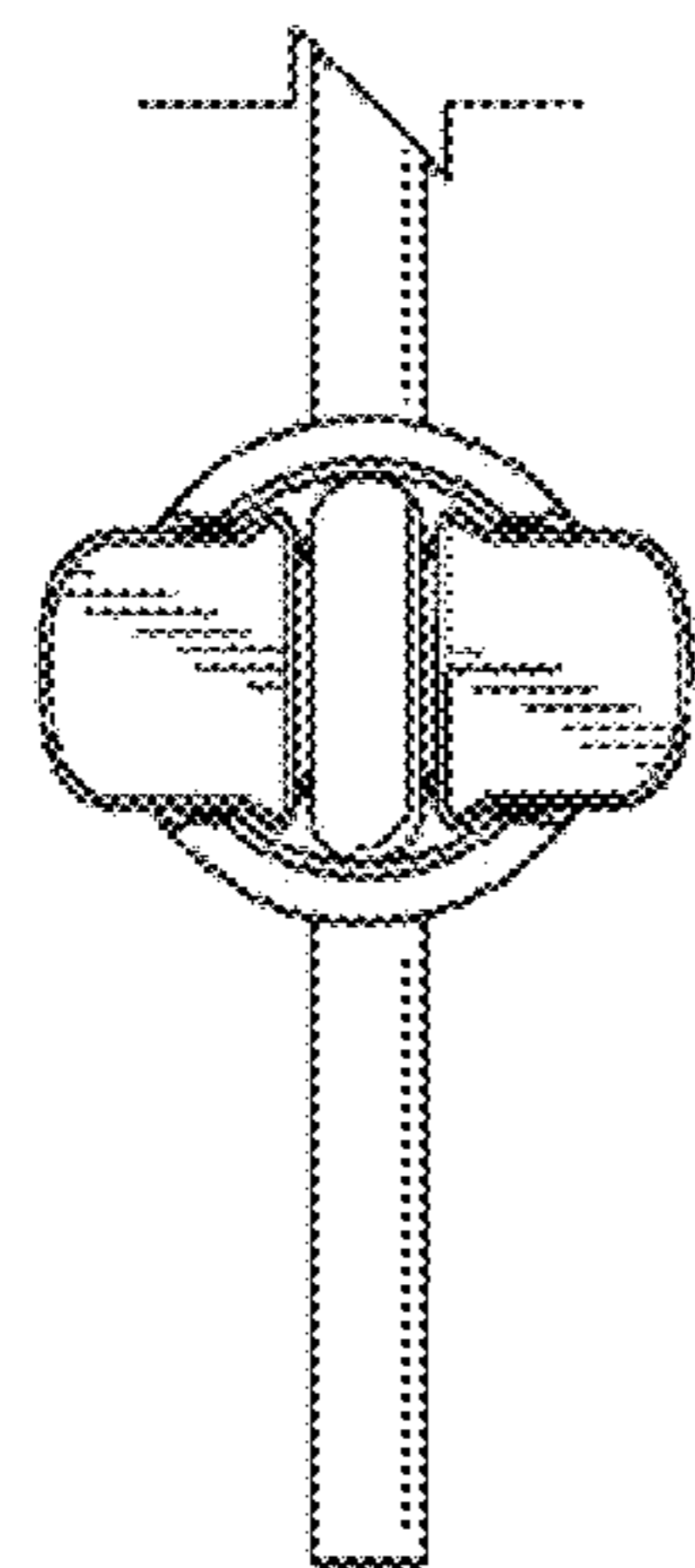


FIG. 6

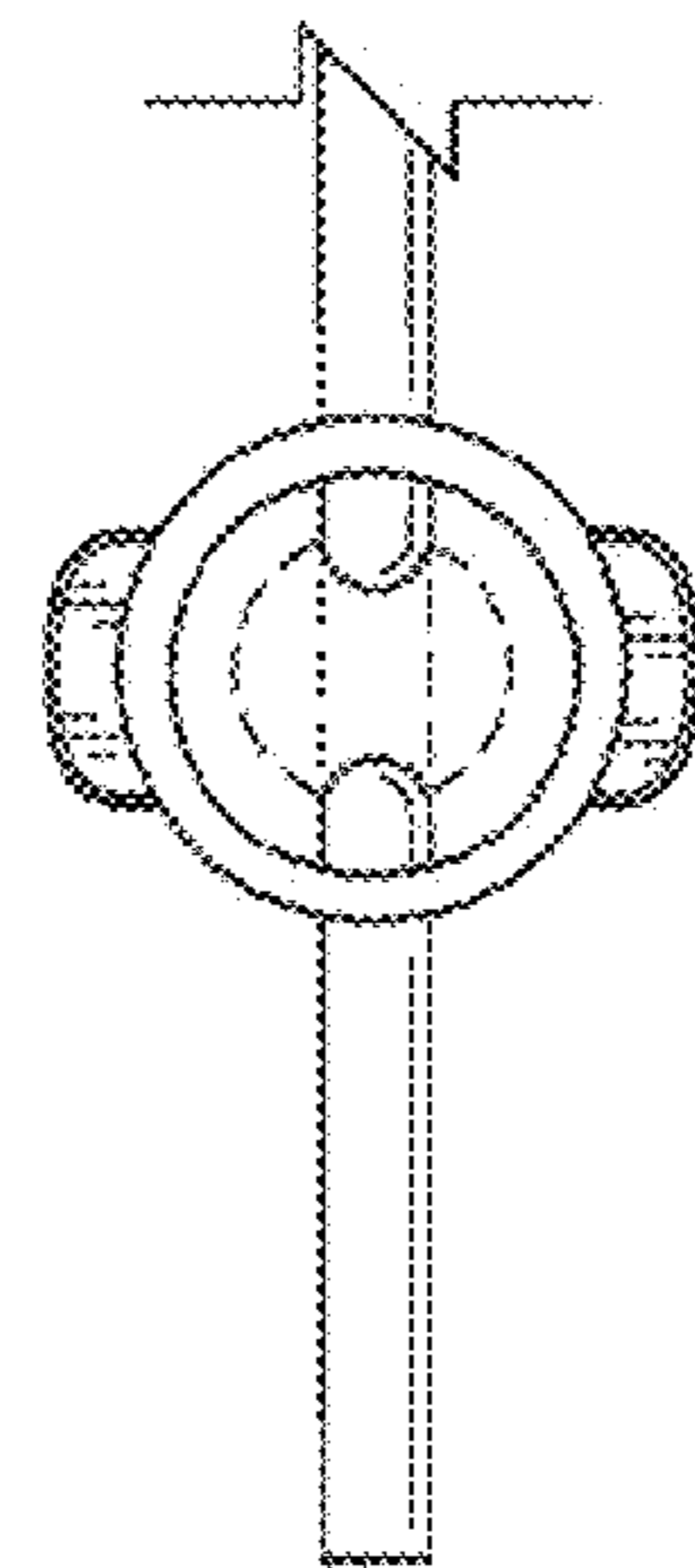


FIG. 7