



US00D634184S

(12) **United States Design Patent**
Koehn

(10) **Patent No.:** **US D634,184 S**
(45) **Date of Patent:** **** Mar. 15, 2011**

(54) **WIRE POWER TOOL HANGER**

(75) Inventor: **Vincent G. Koehn**, Montezuma, KS
(US)

(73) Assignee: **Montezuma Mfg., Inc.**, Montezuma, KS
(US)

(**) Term: **14 Years**

(21) Appl. No.: **29/359,396**

(22) Filed: **Apr. 9, 2010**

(51) **LOC (9) Cl.** **08-05**

(52) **U.S. Cl.** **D8/373; D8/370**

(58) **Field of Classification Search** **D8/370,**
D8/373; 248/301–304, 309.1, 339
See application file for complete search history.

(56) **References Cited**

U.S. PATENT DOCUMENTS

D283,786 S *	5/1986	Chap	D8/370
D367,000 S *	2/1996	Martin	D8/370
D476,847 S *	7/2003	Kingsley et al.	D7/388
D498,411 S *	11/2004	Randall	D8/370
D626,404 S *	11/2010	Koehn	D8/373

* cited by examiner

Primary Examiner — Holly H Baynham

(74) *Attorney, Agent, or Firm* — Shook, Hardy & Bacon
L.L.P.

(57) **CLAIM**

The ornamental design for a wire power tool hanger, as shown
and described.

DESCRIPTION

FIG. 1 is a perspective view of a wire power tool hanger of the
present invention;

FIG. 2 is a front elevation view thereof;

FIG. 3 is a right side elevation view thereof with a left side
elevation view being a mirror image;

FIG. 4 is a bottom plan view thereof;

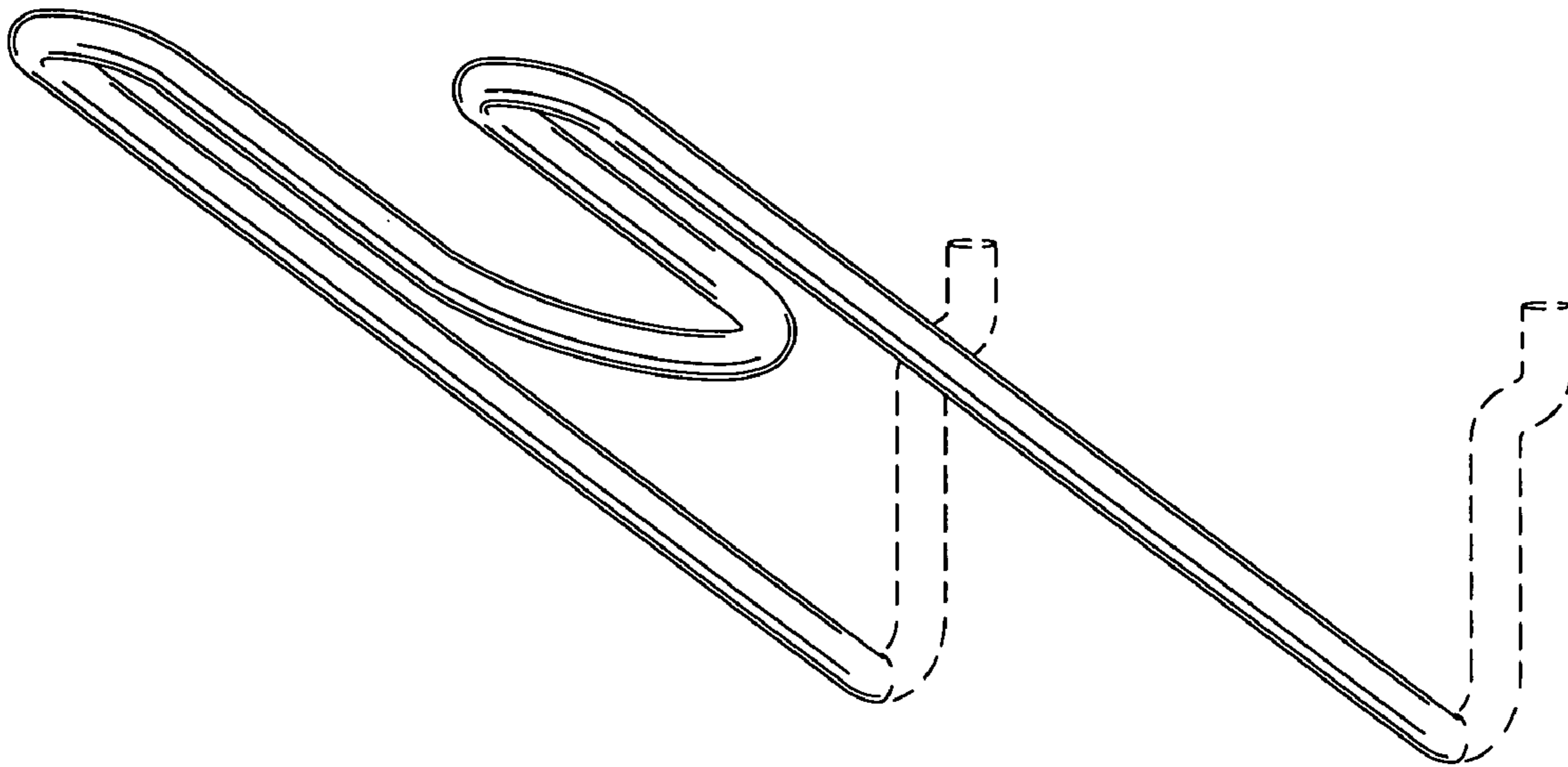
FIG. 5 is a rear elevation view thereof;

FIG. 6 is a top plan view thereof; and,

FIG. 7 is a reduced scale perspective view of the wire power
tool hanger of the present invention in a possible use environ-
ment.

The broken lines immediately adjacent the shaded areas rep-
resent the bounds of the claim and all other broken lines are
for the purposes of illustrating environment only. None of the
broken lines form a part of the claimed design.

1 Claim, 3 Drawing Sheets



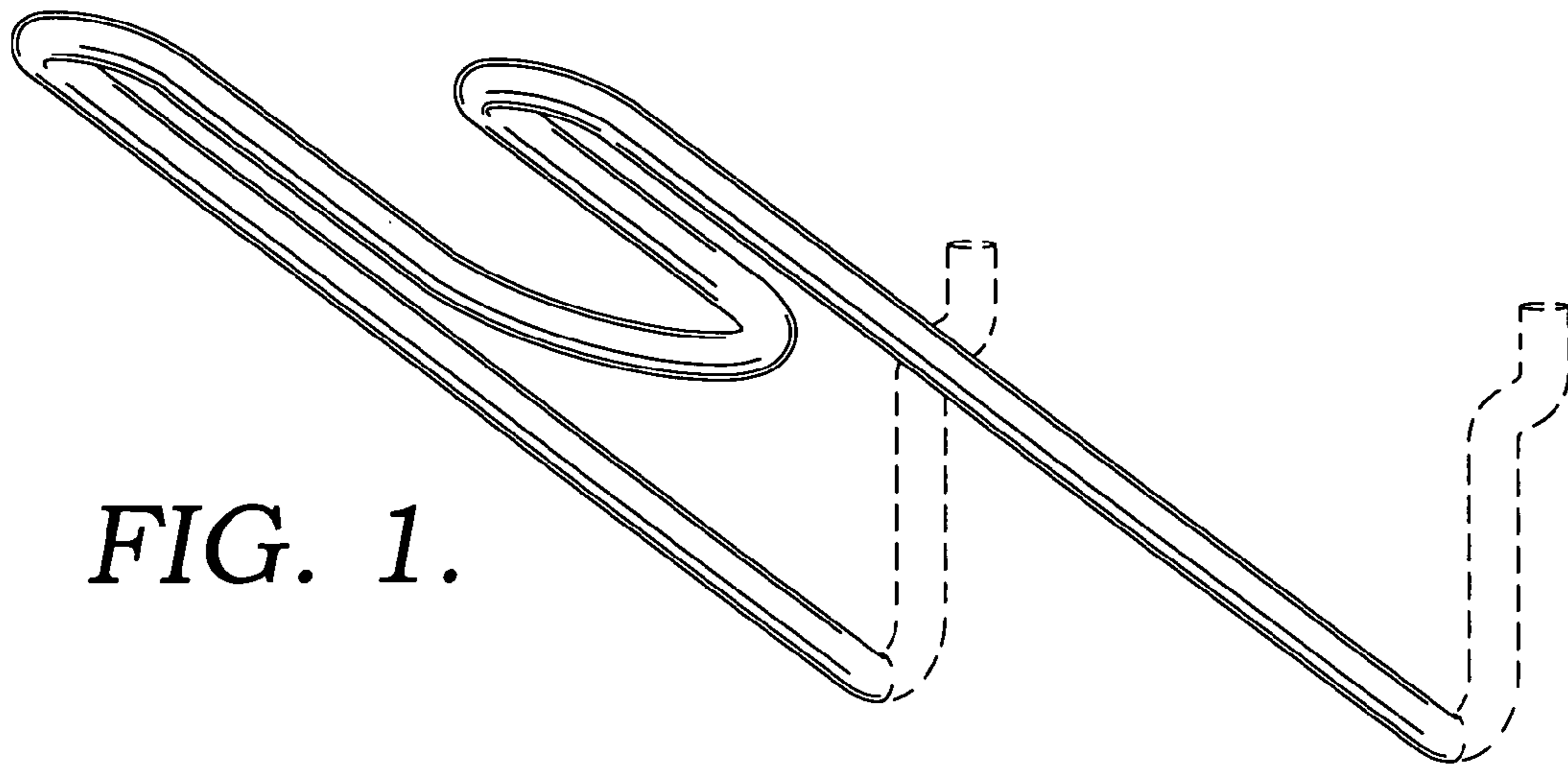


FIG. 1.

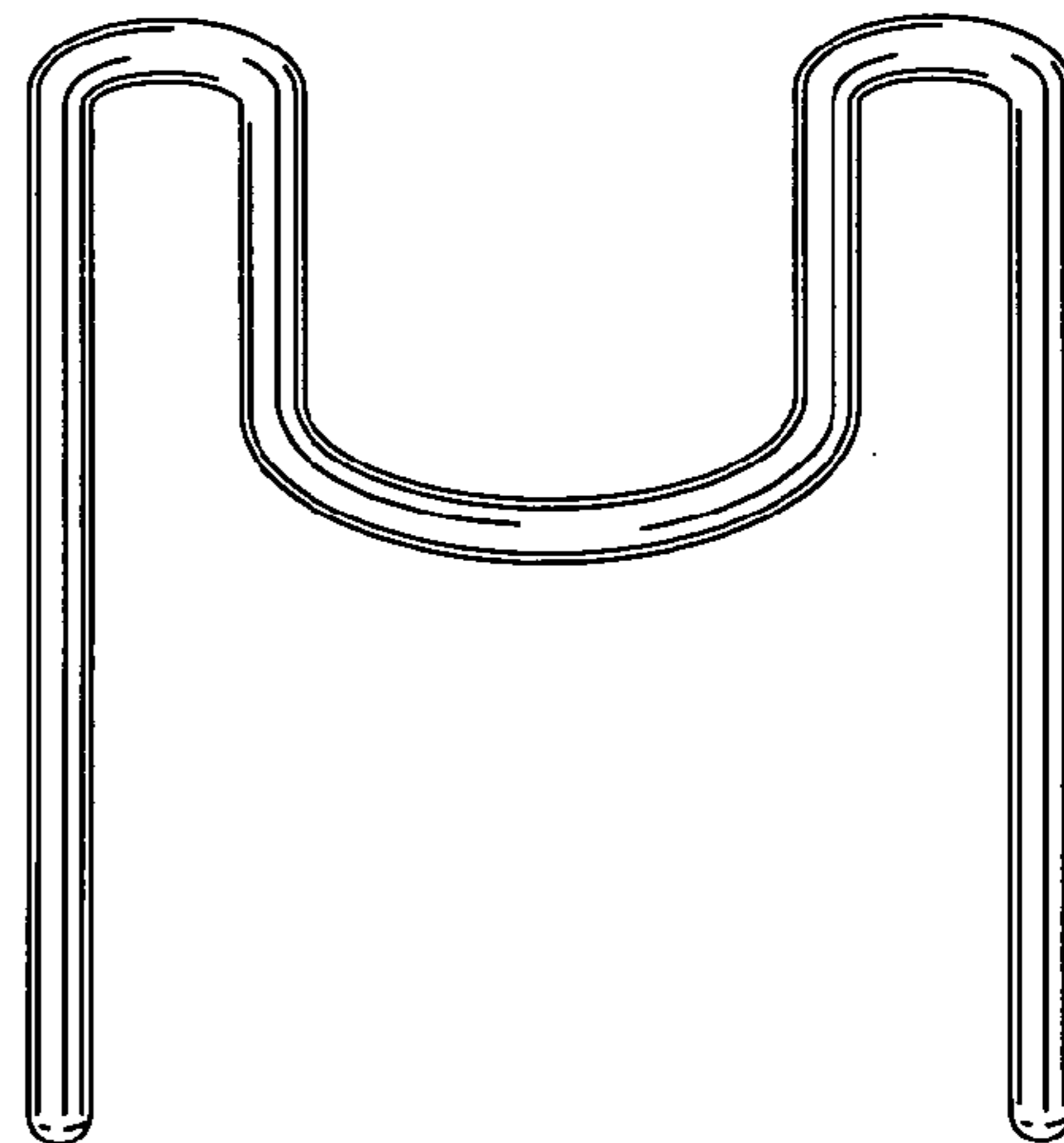


FIG. 2.

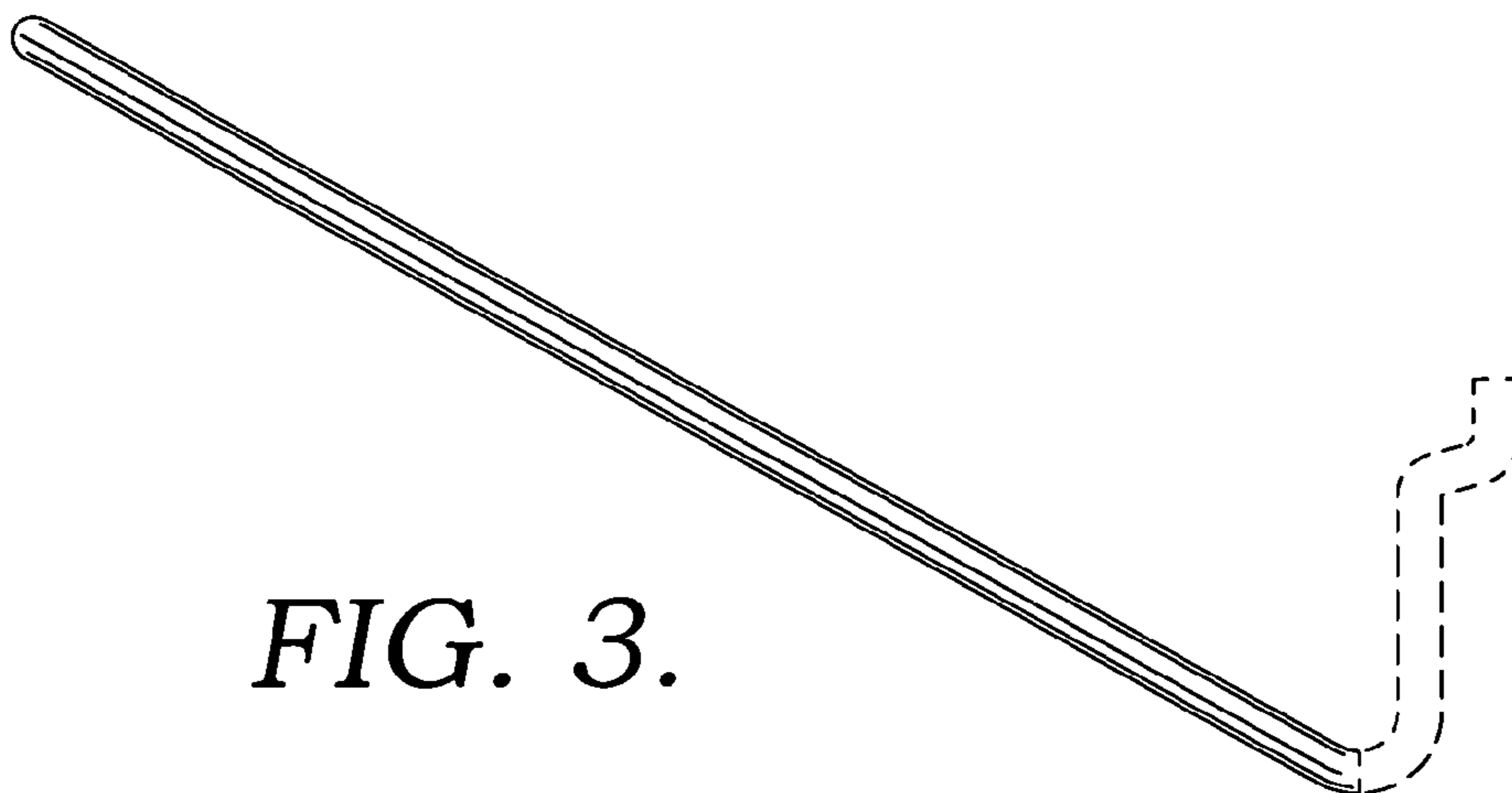


FIG. 3.

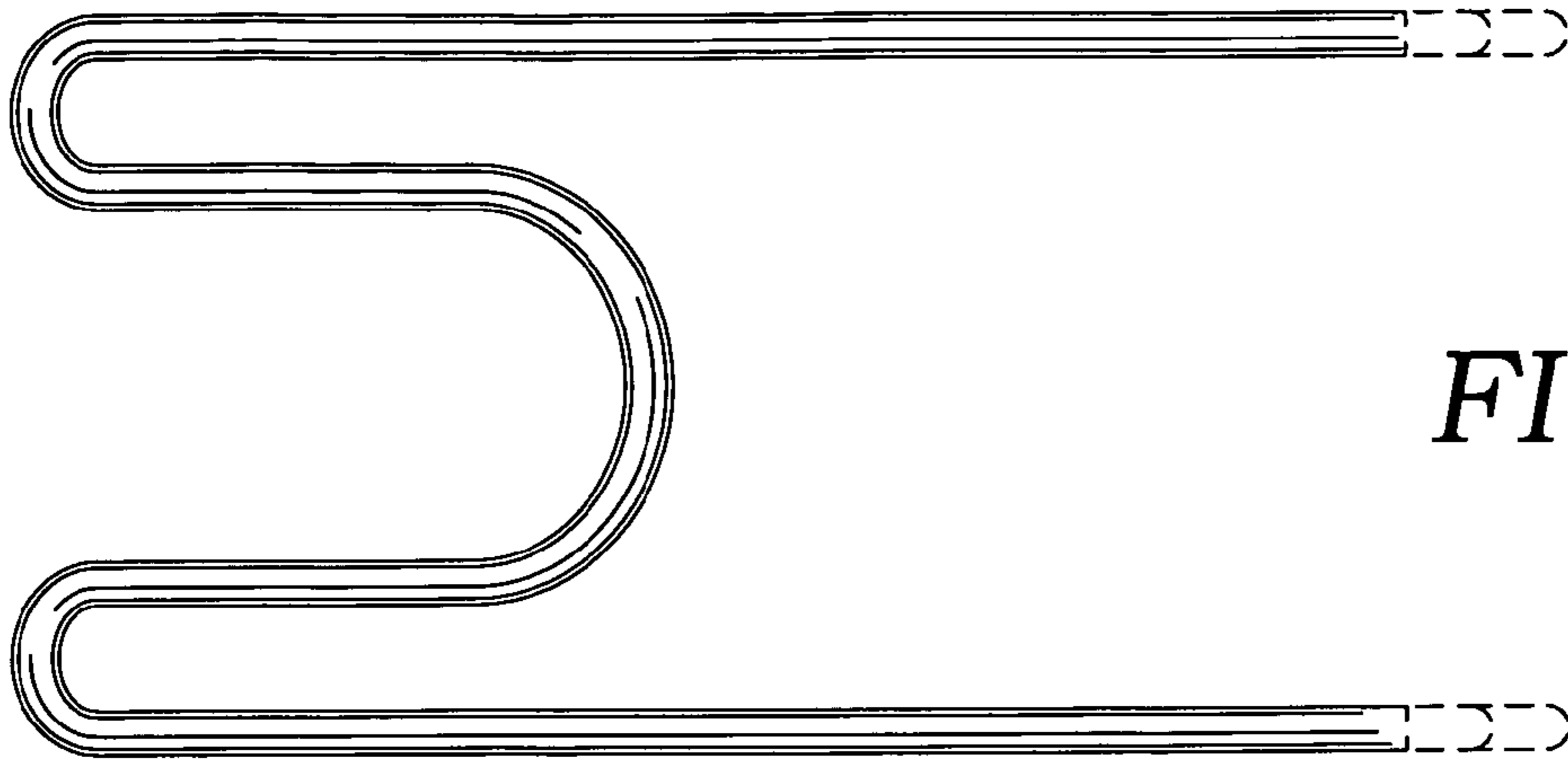


FIG. 4.

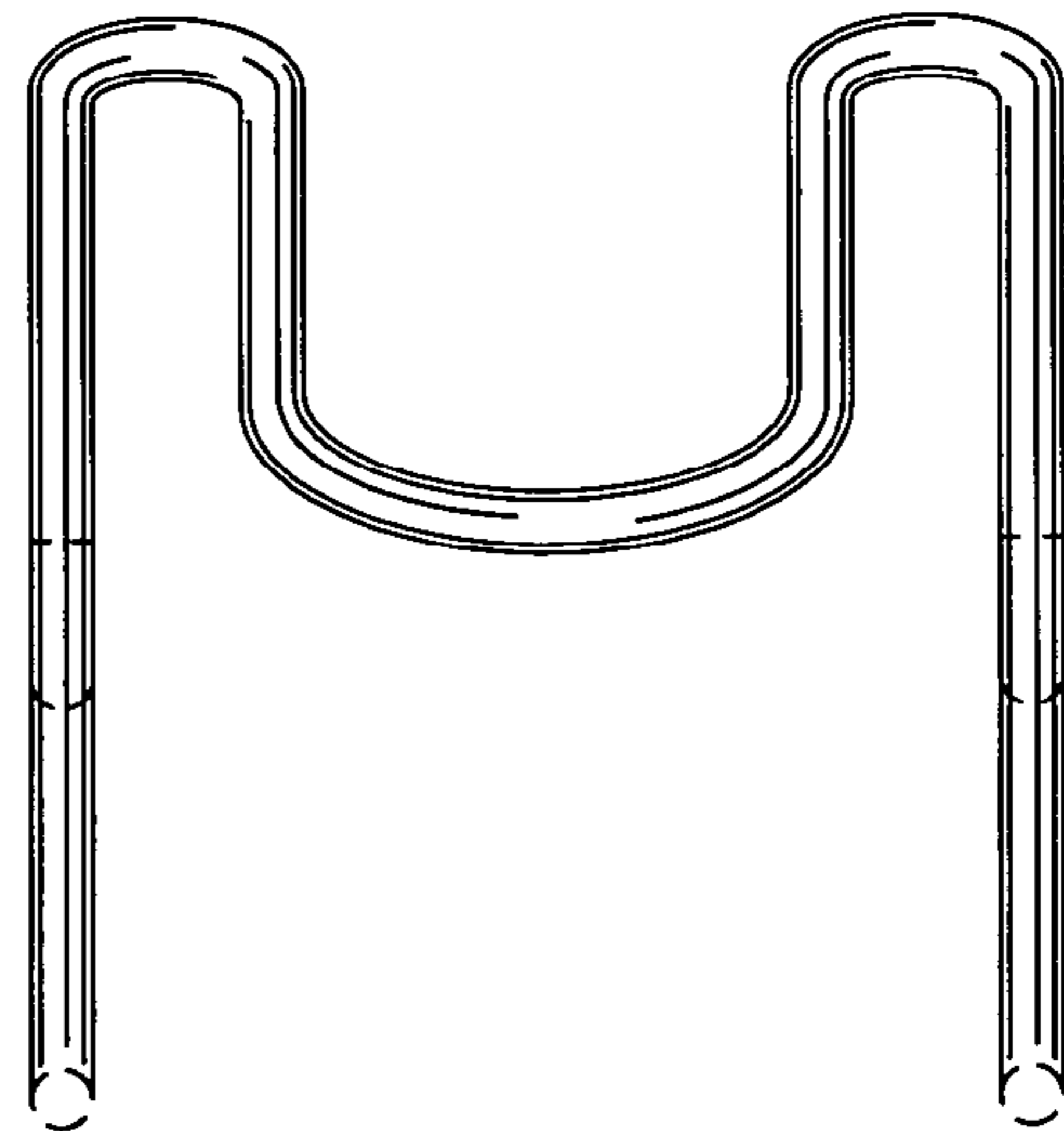


FIG. 5.

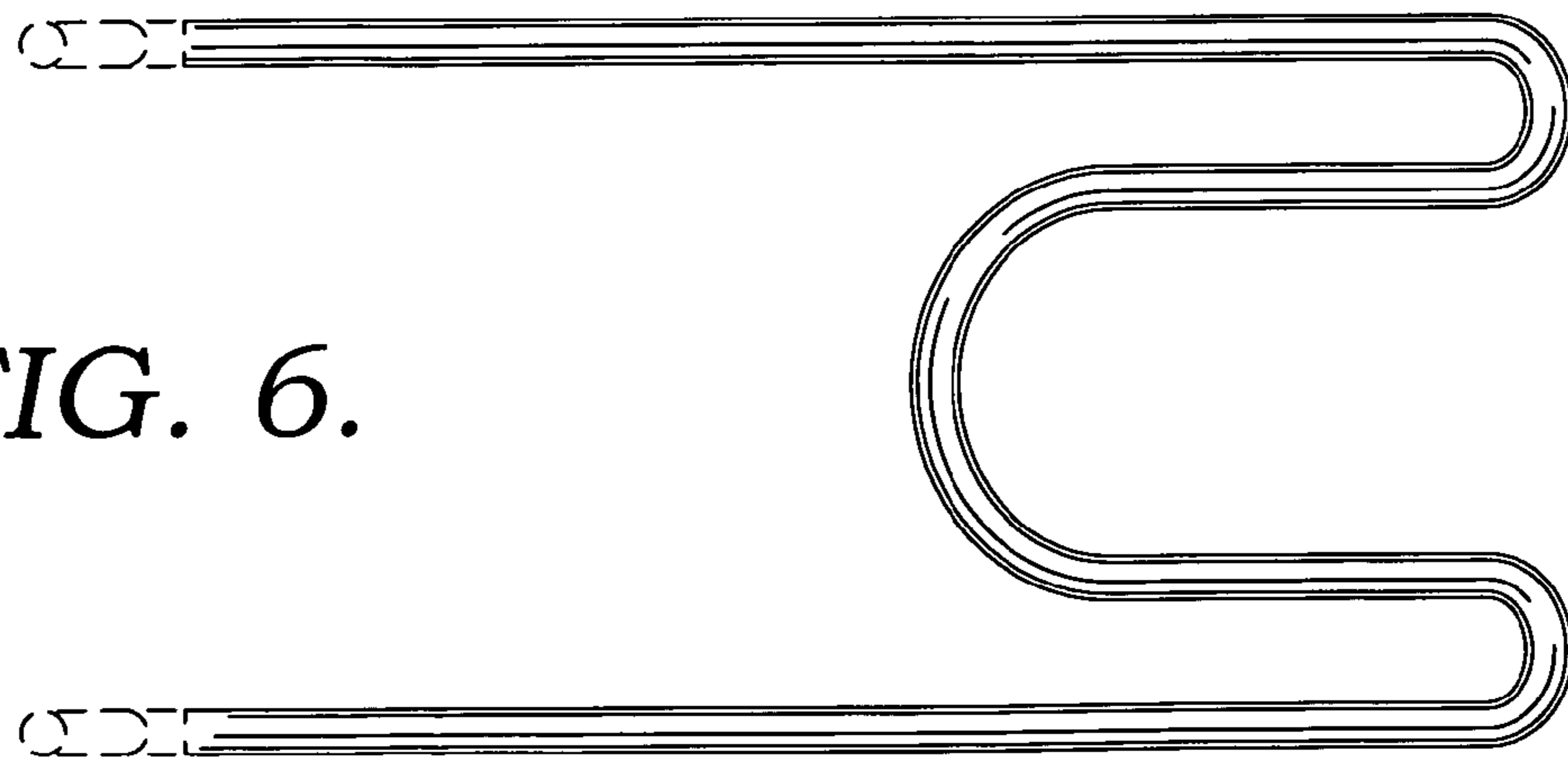


FIG. 6.

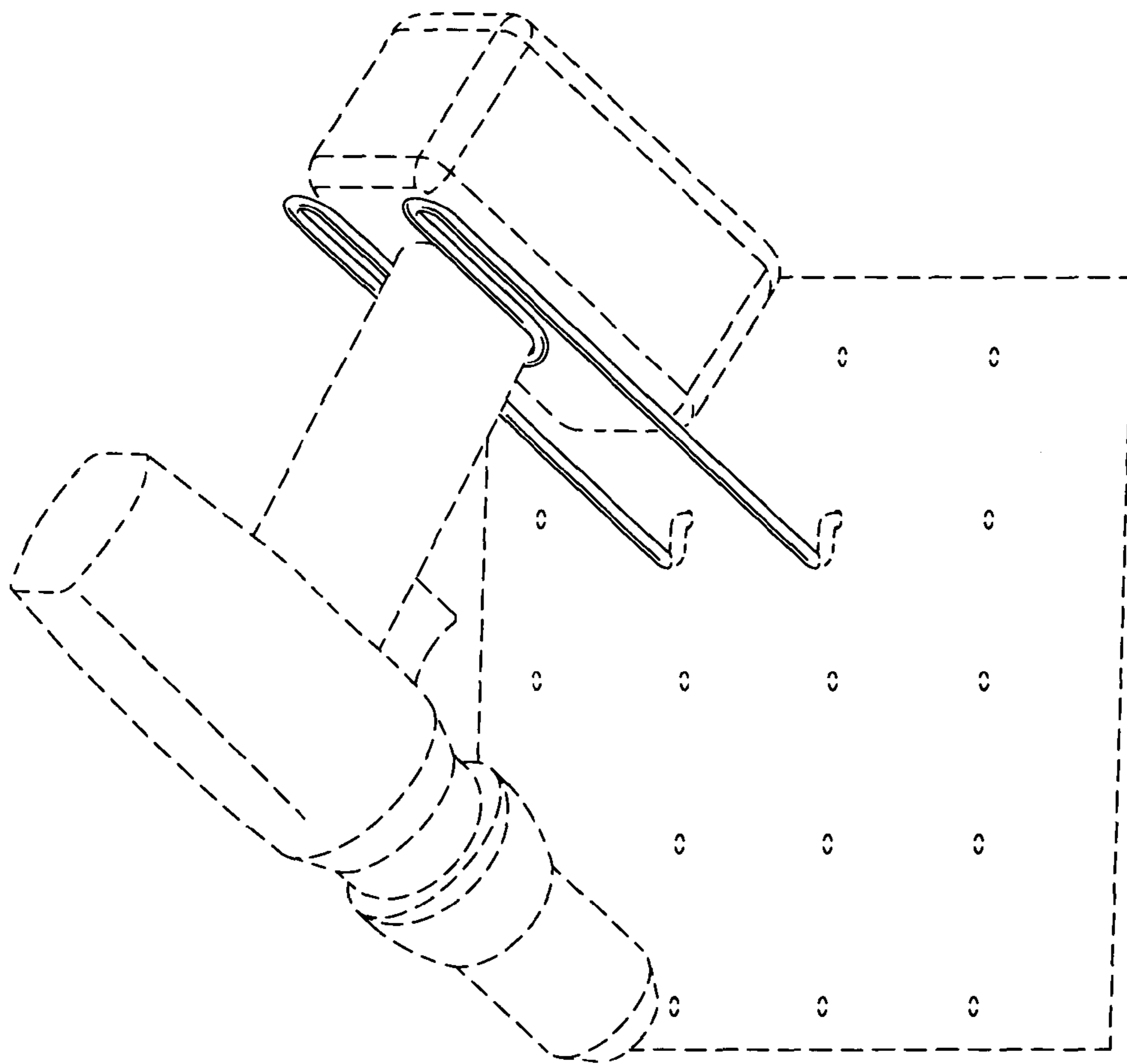


FIG. 7.