



US00D634182S

(12) **United States Design Patent**
Kang

(10) **Patent No.:** **US D634,182 S**
(45) **Date of Patent:** **** Mar. 15, 2011**

(54) **ESCUTCHEON PLATE FOR AN ENCLOSURE**

(75) Inventor: **Donwoong Kang**, Camillus, NY (US)

(73) Assignee: **John D. Brush & Co., Inc.**, Rochester, NY (US)

(**) Term: **14 Years**

(21) Appl. No.: **29/375,393**

(22) Filed: **Sep. 22, 2010**

(51) **LOC (9) Cl.** **11-05**

(52) **U.S. Cl.** **D8/350; D8/330**

(58) **Field of Classification Search** D8/350-353,
D8/301, 330, 331; D23/254; 70/449, 450,
70/452, 119, 207; 292/357

See application file for complete search history.

(56) **References Cited**

U.S. PATENT DOCUMENTS

D411,732 S	*	6/1999	Chamberlain	D8/350
D435,288 S	*	12/2000	Milrud et al.	D23/254
D443,038 S	*	5/2001	Burns et al.	D23/254
D443,039 S	*	5/2001	Burns et al.	D23/254
D493,694 S	*	8/2004	Spangler	D8/352
D514,430 S		2/2006	Osiecki et al.		
D527,615 S		9/2006	Osiecki et al.		
D578,866 S	*	10/2008	Kim	D8/353

OTHER PUBLICATIONS

Kang, Donwoong, "Escutcheon Plate for an Enclosure," U.S. Appl. No. 29/375,394, filed Sep. 22, 2010.

* cited by examiner

Primary Examiner — Mark A Goodwin

(74) *Attorney, Agent, or Firm* — Woods Oviatt Gilman LLP

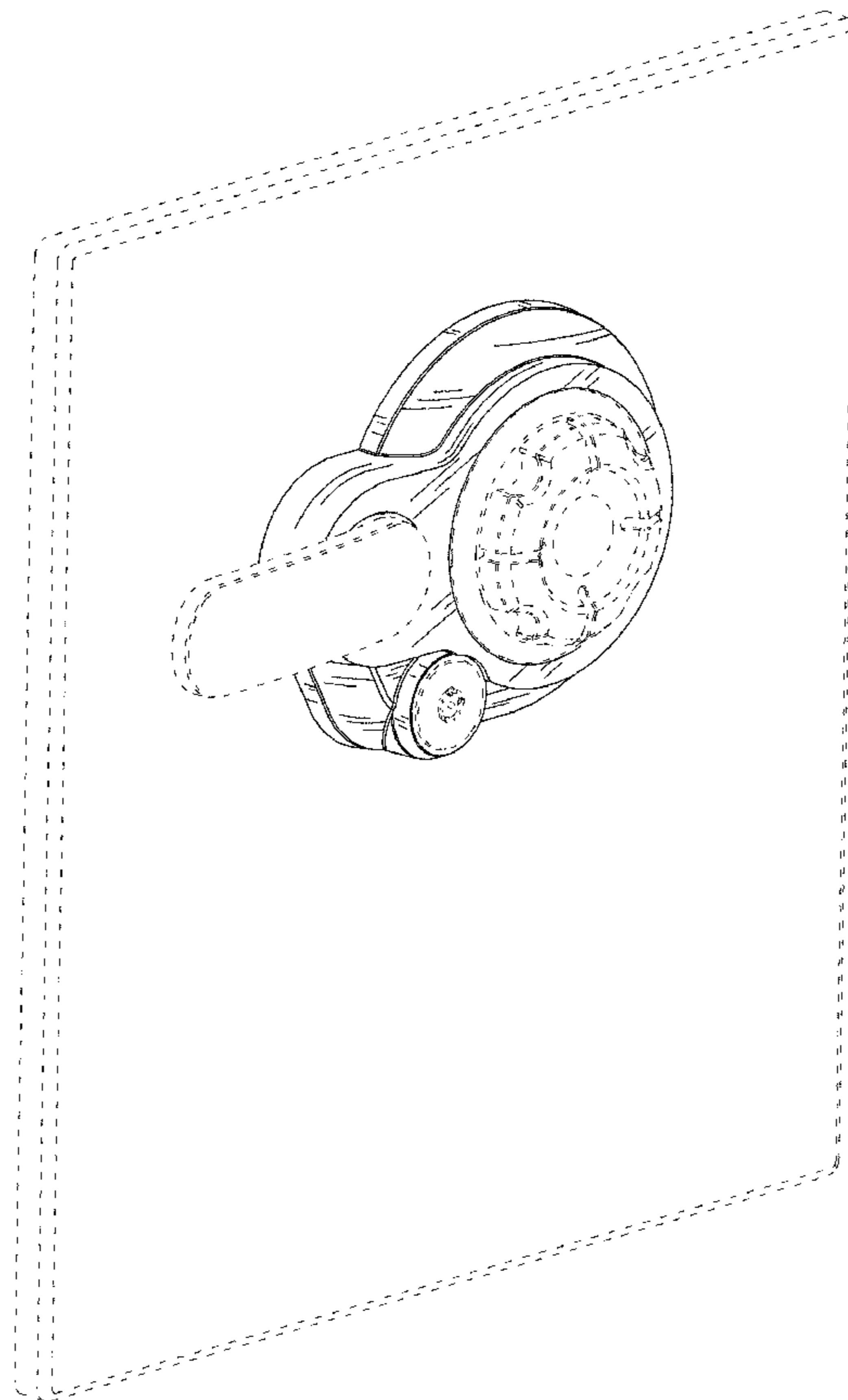
(57) **CLAIM**

The ornamental design for an escutcheon plate for an enclosure, as shown and described.

DESCRIPTION

FIG. 1 is a left front perspective view of an escutcheon plate for an enclosure showing my new design;
FIG. 2 is a front view thereof;
FIG. 3 is a right side view thereof;
FIG. 4 is a left side view thereof;
FIG. 5 is a top view thereof; and,
FIG. 6 is a bottom view thereof.
The portions of the drawings shown in broken lines represent environmental structure and form no part of the claimed design.

1 Claim, 6 Drawing Sheets



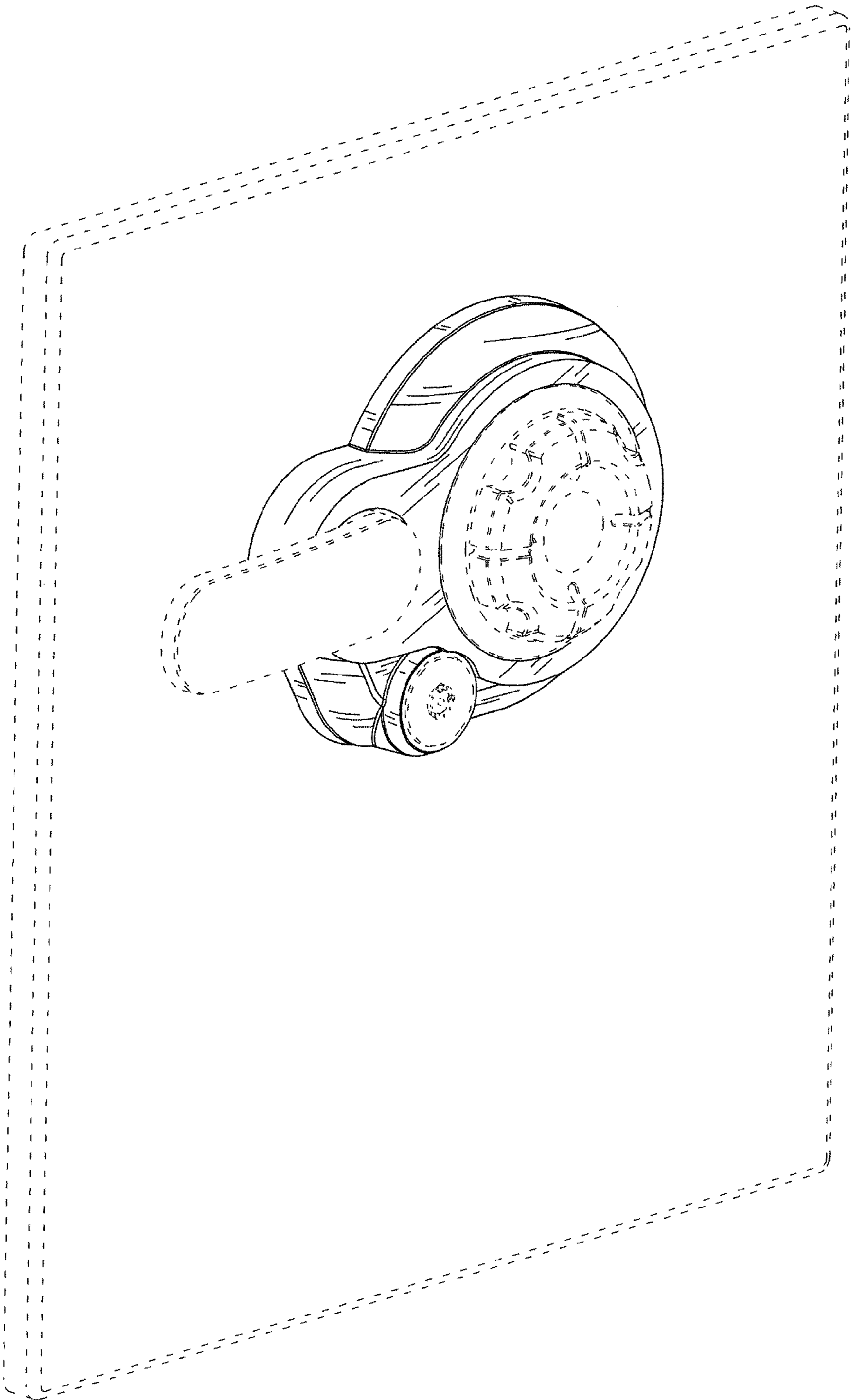


FIG. 1

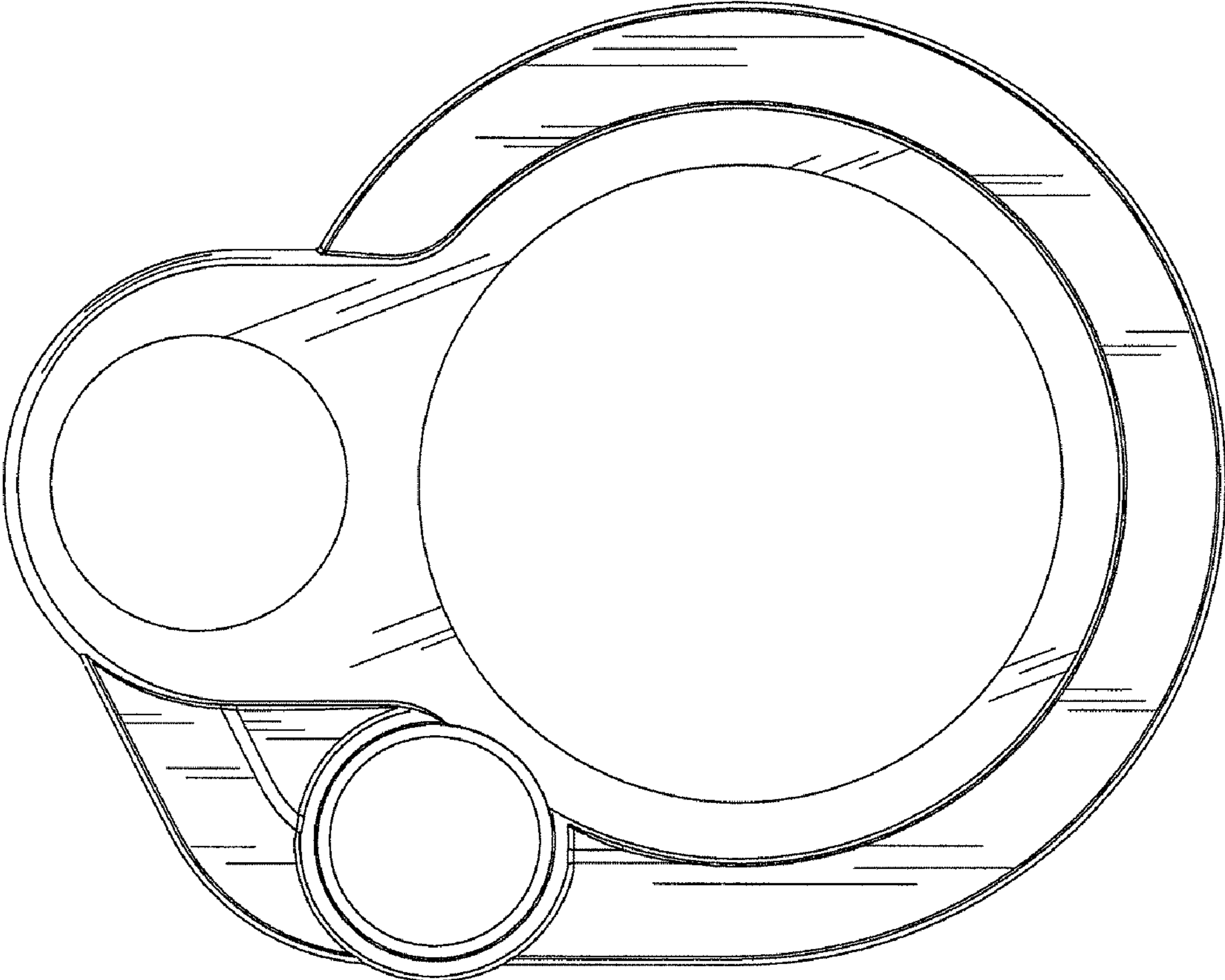


FIG. 2

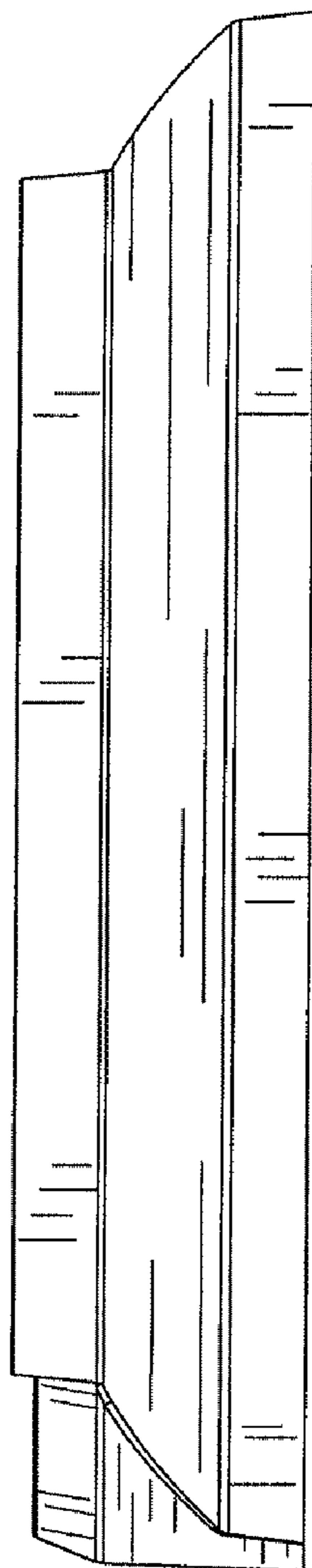


FIG. 3

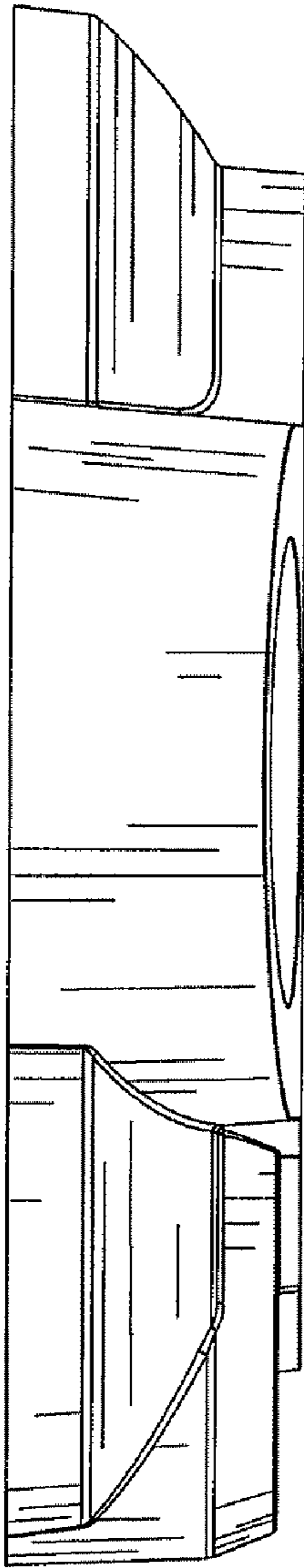


FIG. 4

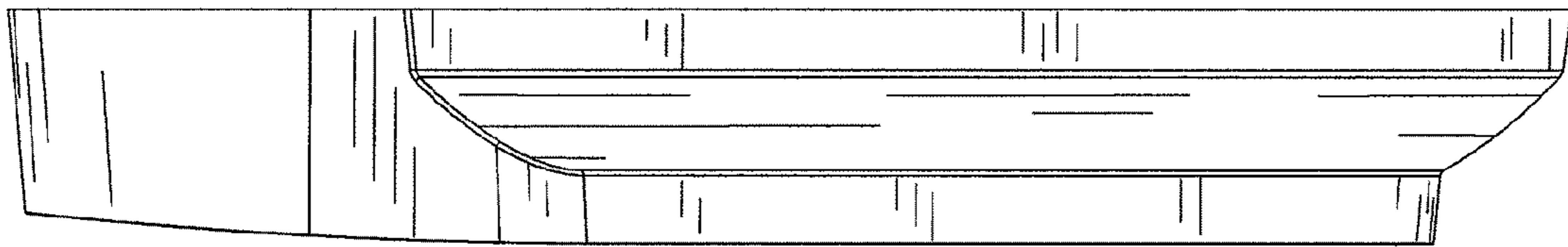


FIG. 5

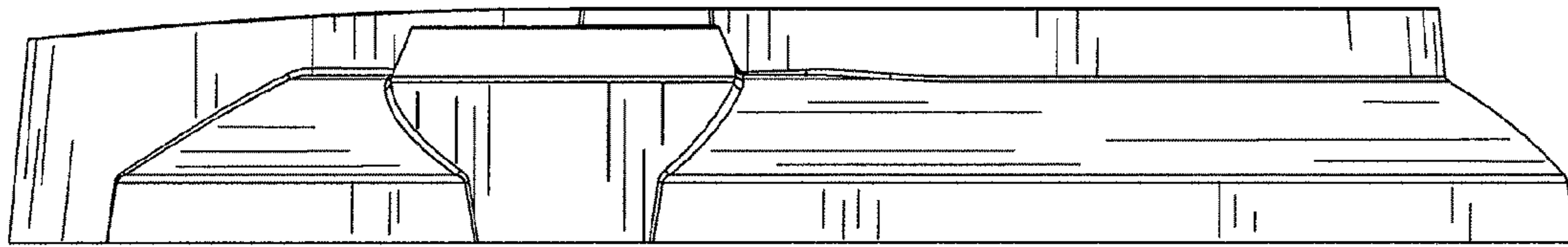


FIG. 6