



US00D634180S

(12) **United States Design Patent**  
**Stuckey**

(10) **Patent No.:** **US D634,180 S**  
(45) **Date of Patent:** **\*\* Mar. 15, 2011**

(54) **HANDLE**

(75) Inventor: **David Martin Stuckey**, Eaglemont (AU)

(73) Assignee: **David Stuckey Investments Pty Ltd**  
(AU)

(\*\*) Term: **14 Years**

(21) Appl. No.: **29/355,849**

(22) Filed: **Feb. 16, 2010**

(30) **Foreign Application Priority Data**

Aug. 31, 2009 (AU) ..... 13332/2009

(51) **LOC (9) Cl.** ..... **08-06**

(52) **U.S. Cl.** ..... **D8/321**

(58) **Field of Classification Search** ..... D8/49,  
D8/50, 300-313, 315-322, 330, 331, 336,  
D8/338, 341, 345, 400; D7/393, 394; D23/250,  
D23/251, 252, 253, 254; 16/110 R, 111 R,  
16/414-420, 443-446; 70/208, 215, 448,  
70/451; 211/16, 182; 220/752, 753, 754  
See application file for complete search history.

(56) **References Cited**

**U.S. PATENT DOCUMENTS**

D191,921 S \* 12/1961 Sierra et al. .... D8/302  
D340,847 S \* 11/1993 Bain et al. .... D8/50  
D451,781 S \* 12/2001 Vande Steeg et al. .... D8/309  
D459,982 S \* 7/2002 Vande Steeg et al. .... D8/400

D461,391 S \* 8/2002 Houdek et al. .... D8/320  
D487,012 S \* 2/2004 Stoll et al. .... D8/337  
D491,039 S \* 6/2004 Denys ..... D8/320  
D524,139 S \* 7/2006 Burns et al. .... D8/302  
D543,825 S \* 6/2007 Witte ..... D8/302  
7,272,964 B2 \* 9/2007 Graham et al. .... 70/208  
D585,264 S 1/2009 Stuckey  
D593,397 S 6/2009 Stuckey

\* cited by examiner

*Primary Examiner* — Stella M Reid

*Assistant Examiner* — Derrick Holland

(74) *Attorney, Agent, or Firm* — Craig A. Fieschko, Esq.;  
DeWitt Ross & Stevens S.C.

(57) **CLAIM**

I claim the ornamental design for a handle, as shown and described.

**DESCRIPTION**

FIG. 1 is a front perspective view of a handle from above, showing my design;

FIG. 2 is a rear perspective view of the handle from beneath;

FIG. 3 is a right side elevational view of the handle, the left side elevational view being a mirror image;

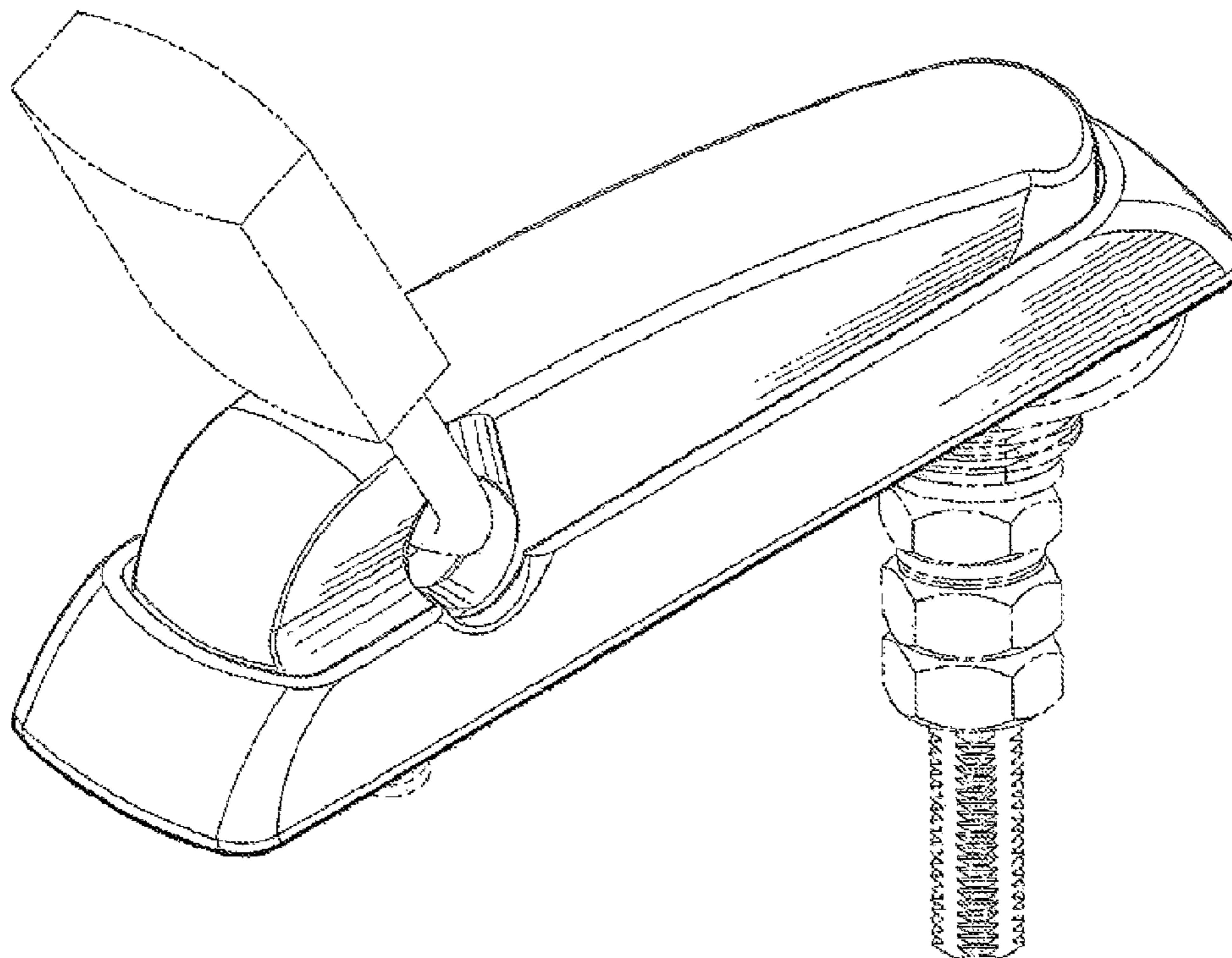
FIG. 4 is a front elevational view of the handle;

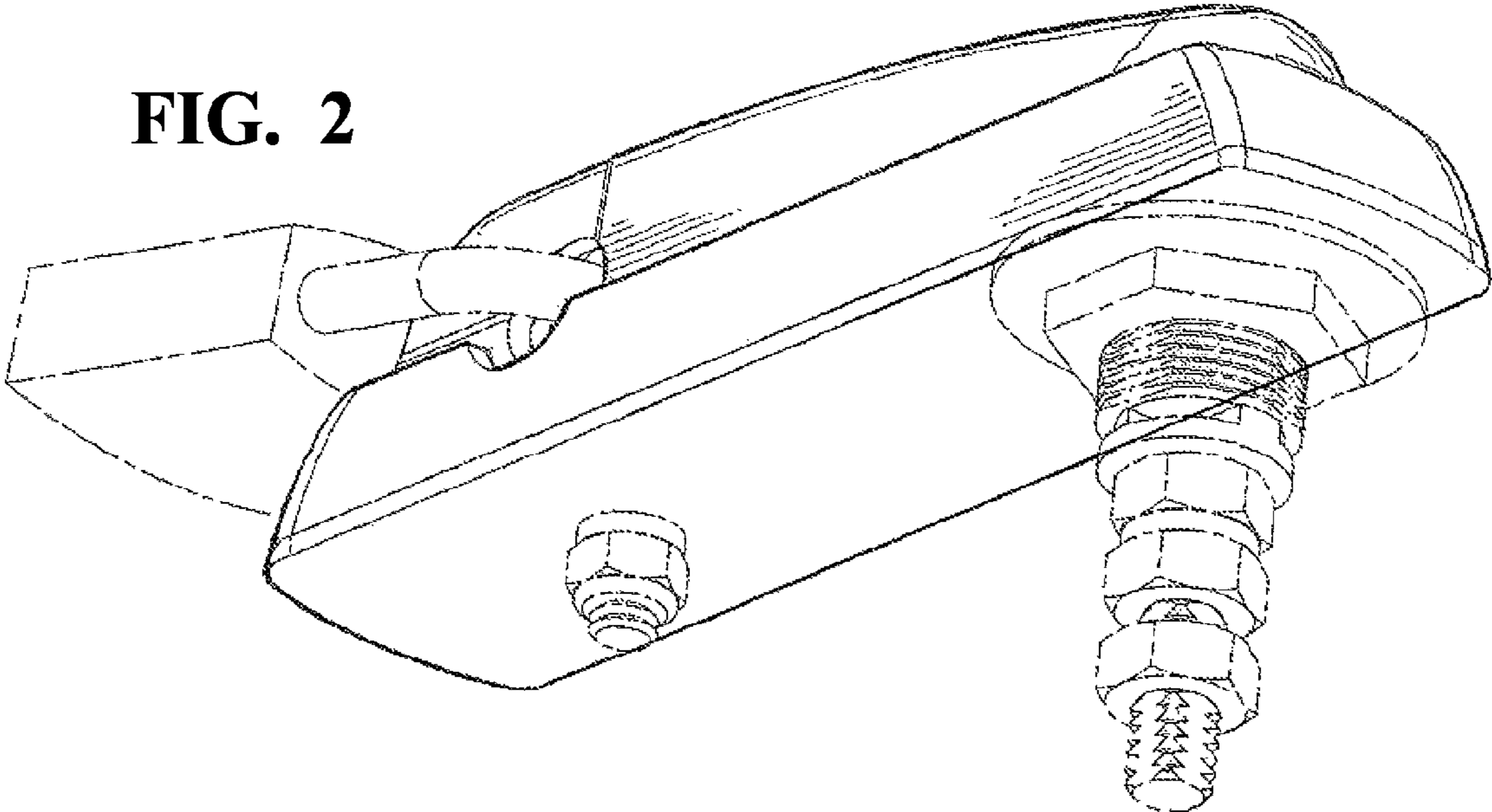
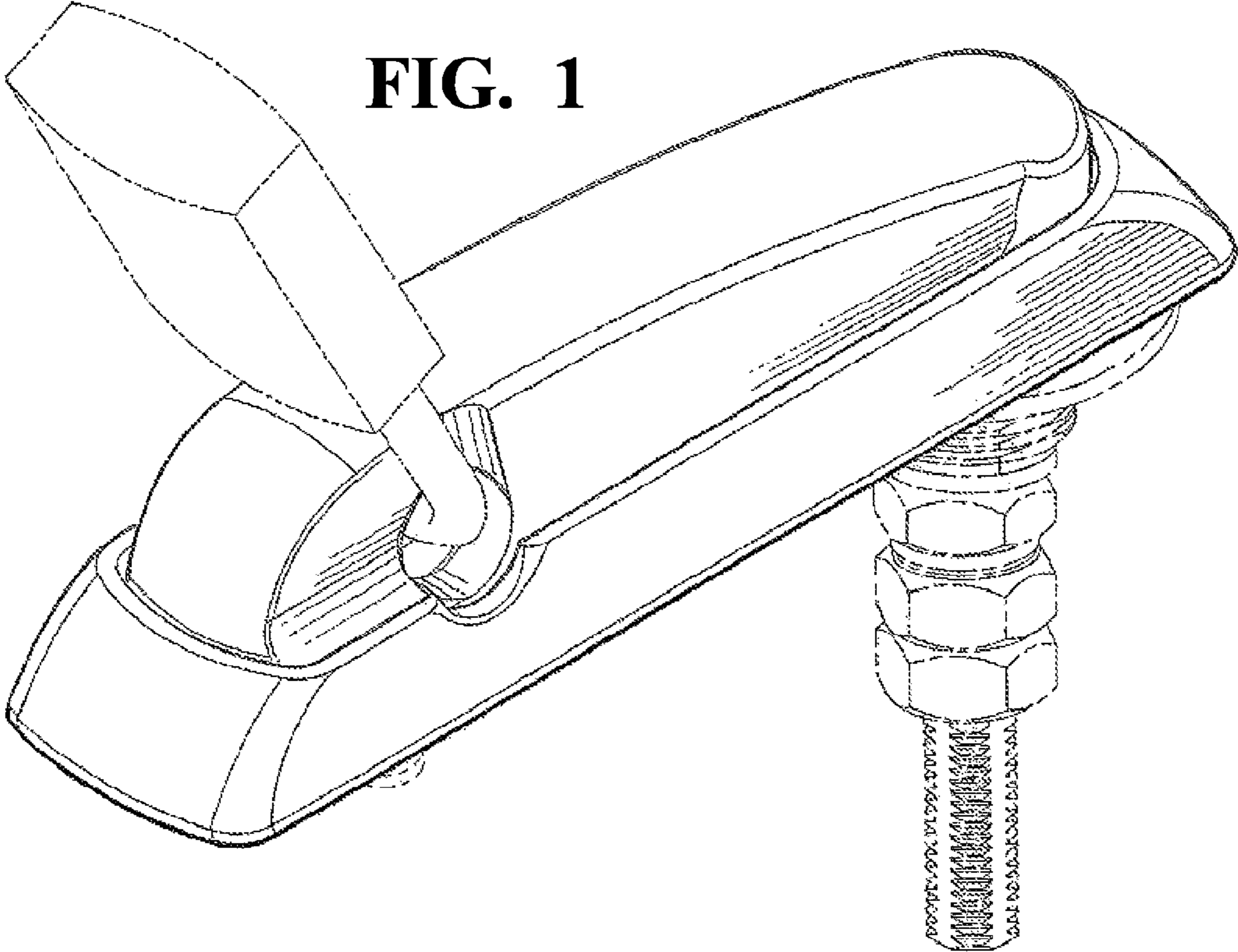
FIG. 5 is a rear elevational view of the handle; and,

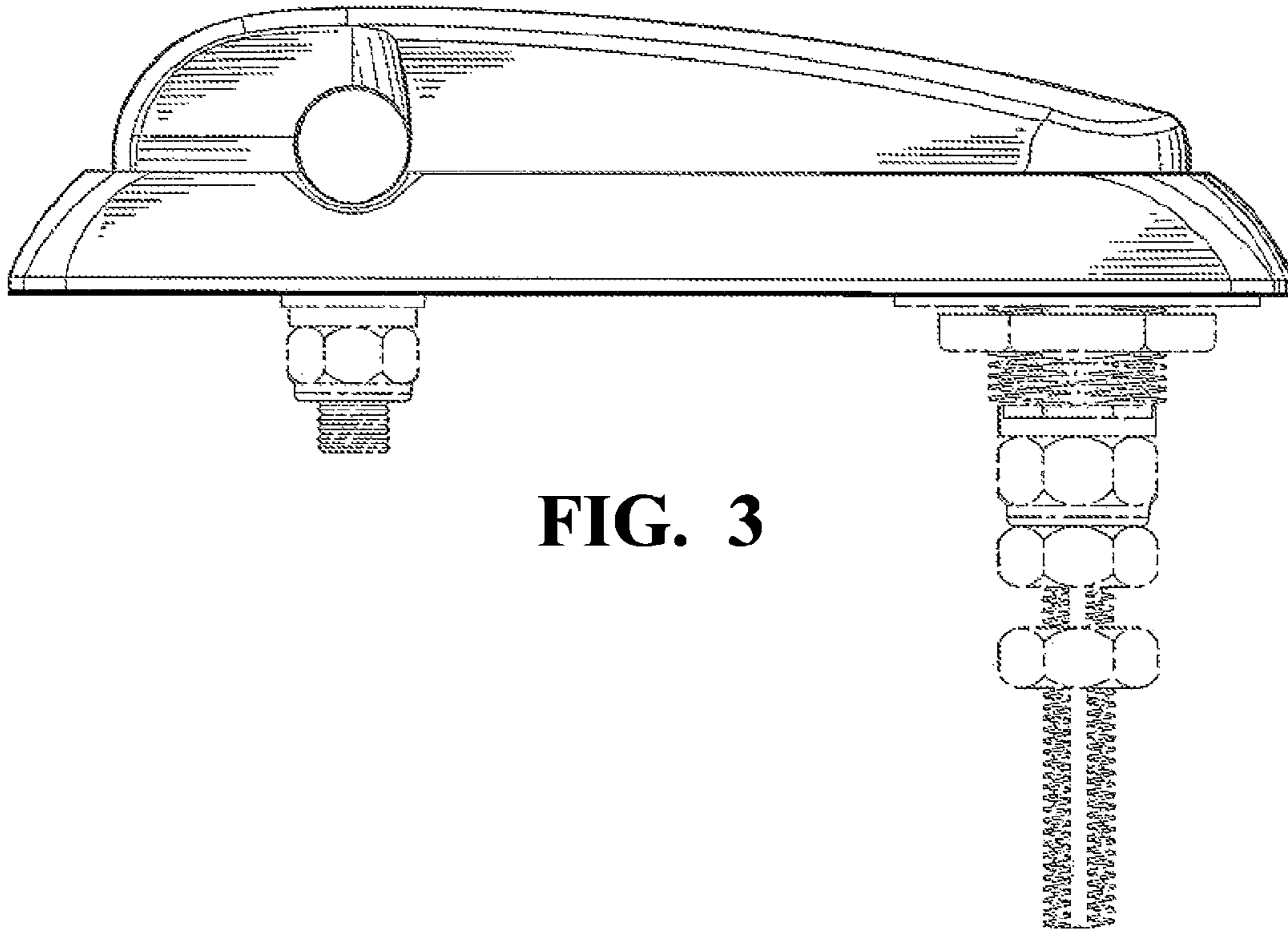
FIG. 6 is a top plan view of the handle.

The broken line drawing of the padlock in FIGS. 1-2, and of the bolt, nuts, and washers in FIGS. 1-6, is for illustrative purposes only and forms no part of the claimed design.

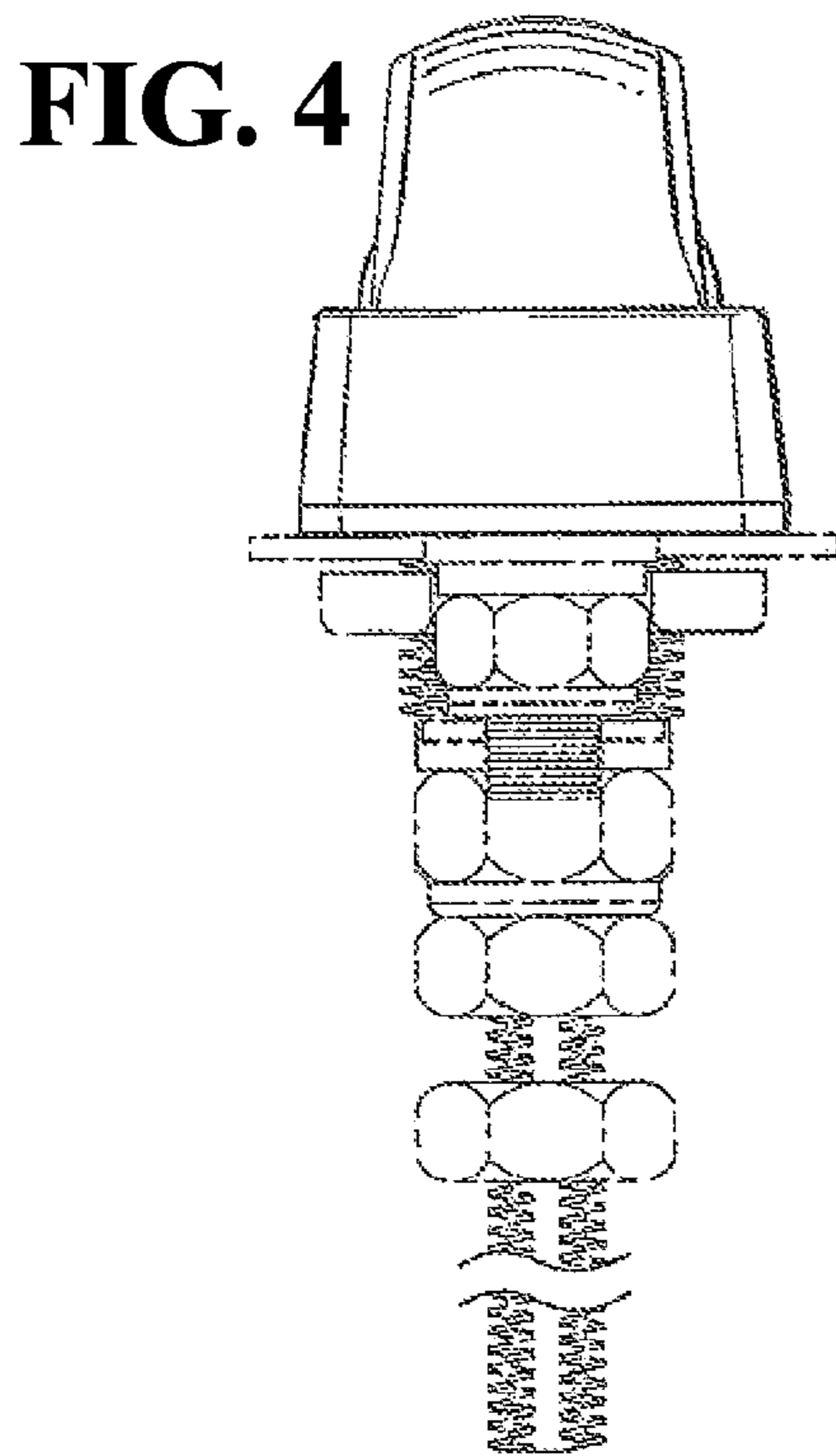
**1 Claim, 3 Drawing Sheets**



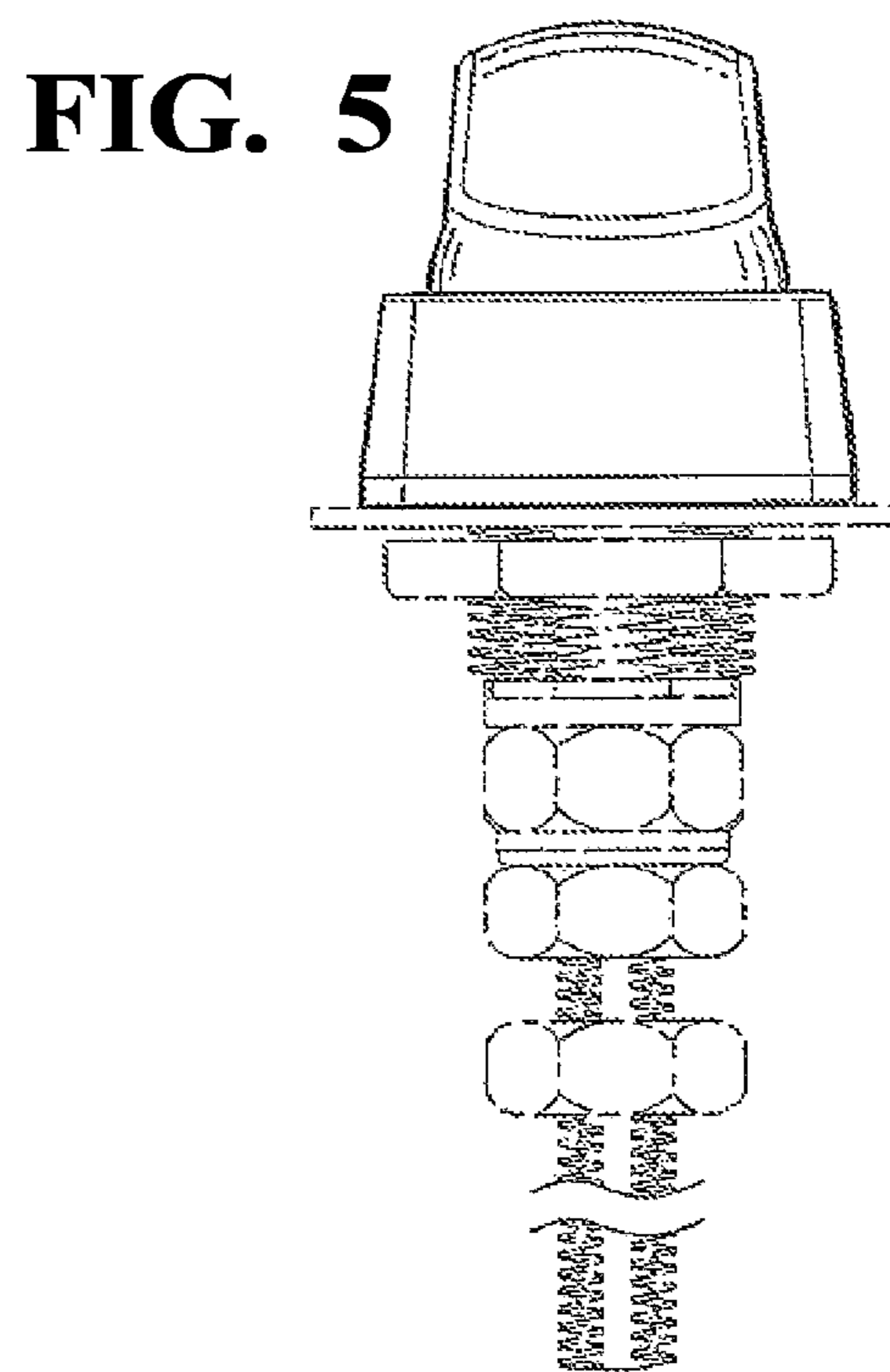




**FIG. 3**



**FIG. 4**



**FIG. 5**

FIG. 6

