

US00D634176S

(12) **United States Design Patent**  
**Owens**

(10) **Patent No.:** **US D634,176 S**

(45) **Date of Patent:** **\*\* Mar. 15, 2011**

(54) **CABINET KNOB**

(75) Inventor: **Ashley Marie Owens**, Bossier City, LA (US)

(73) Assignee: **Hardware Resources, Inc.**, Bossier City, LA (US)

(\*\*) Term: **14 Years**

(21) Appl. No.: **29/370,225**

(22) Filed: **Jun. 17, 2010**

(51) **LOC (9) Cl.** ..... **08-06**

(52) **U.S. Cl.** ..... **D8/307**

(58) **Field of Classification Search** ..... D8/310,  
D8/300, 301, 302, 303, 305, 307, 312, 317,  
D8/318, 319, 320; D6/491, 550; D7/393,  
D7/396; D11/95; D21/385, 386; 16/110.1,  
16/412, 414, 415, 417, 433, 441, 442; 292/347,  
292/348, 349, 350, 355, 356, 357

See application file for complete search history.

(56) **References Cited**

**U.S. PATENT DOCUMENTS**

2,993,720 A \* 7/1961 Russell ..... 292/347  
D355,834 S \* 2/1995 Chieda ..... D8/305

D371,062 S \* 6/1996 Ainscough ..... D8/307  
D540,141 S \* 4/2007 Berberet ..... D8/307  
D542,622 S \* 5/2007 Ricereto ..... D8/307  
D550,535 S \* 9/2007 Hoernig ..... D8/310  
D577,982 S \* 10/2008 Thompson ..... D8/301  
D580,252 S \* 11/2008 Hoernig ..... D8/310

\* cited by examiner

*Primary Examiner* — Prabhakar Deshmukh

*Assistant Examiner* — Derrick Holland

(74) *Attorney, Agent, or Firm* — Schultz & Associates, P.C.

(57) **CLAIM**

The ornamental design for a cabinet knob, as shown and described.

**DESCRIPTION**

FIG. 1 is a perspective view of a cabinet knob showing my new design;

FIG. 2 is a first side elevation view thereof;

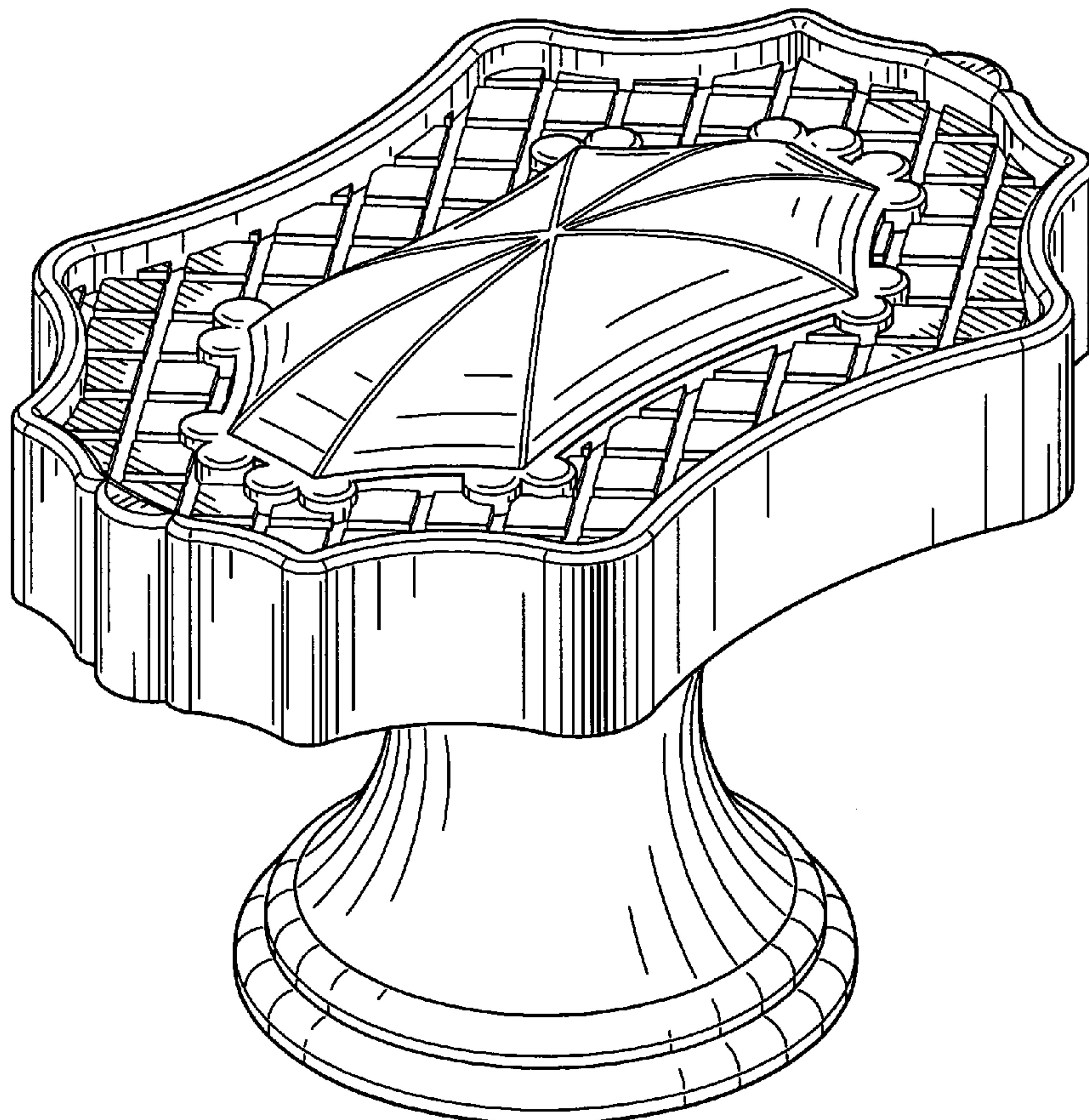
FIG. 3 is a top plan view thereof;

FIG. 4 is a second side elevation view thereof; and,

FIG. 5 is a bottom plan view thereof.

The broken lines shown represent unclaimed subject matter and form no part of the claimed design.

**1 Claim, 3 Drawing Sheets**



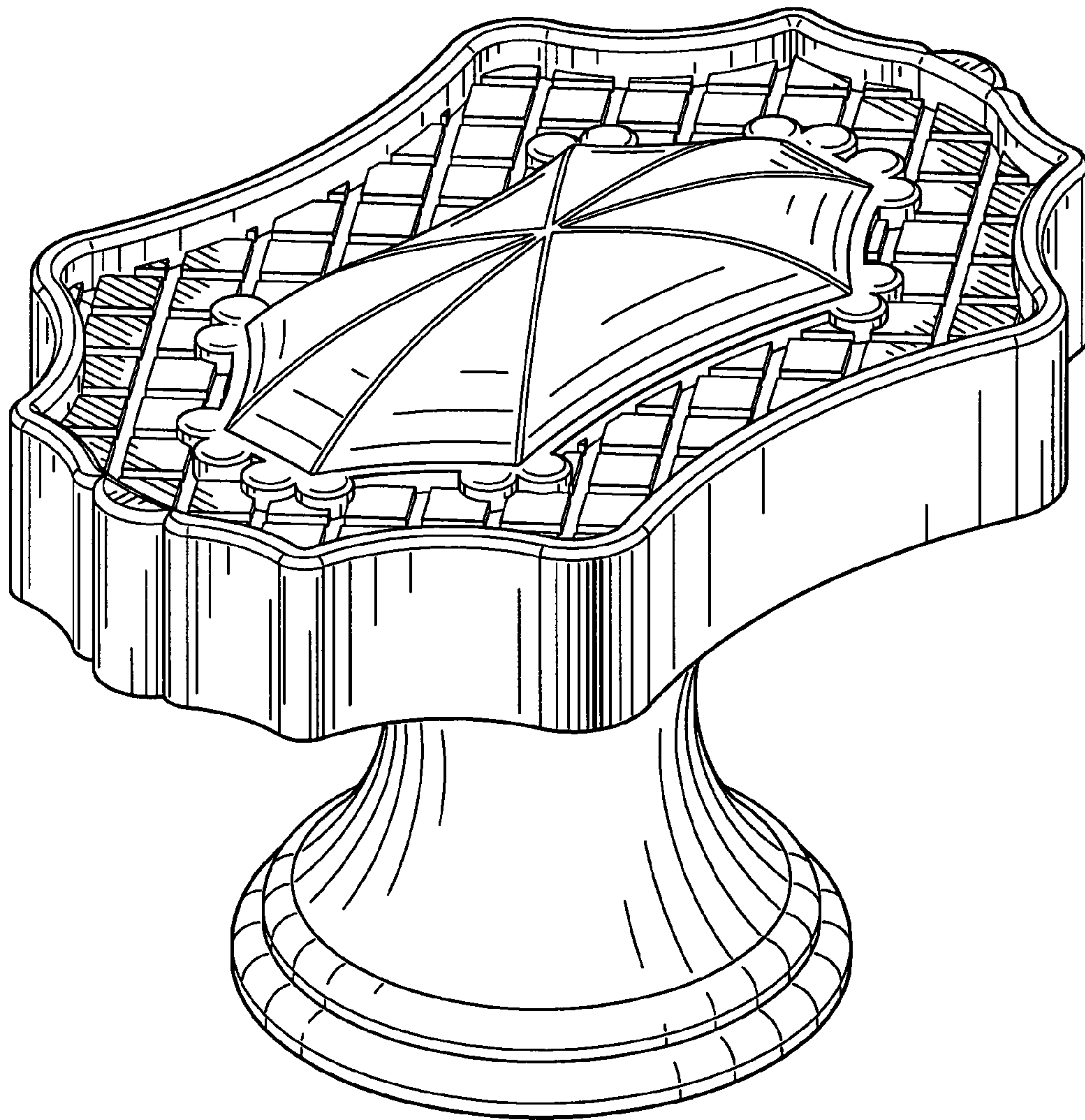


FIG. 1



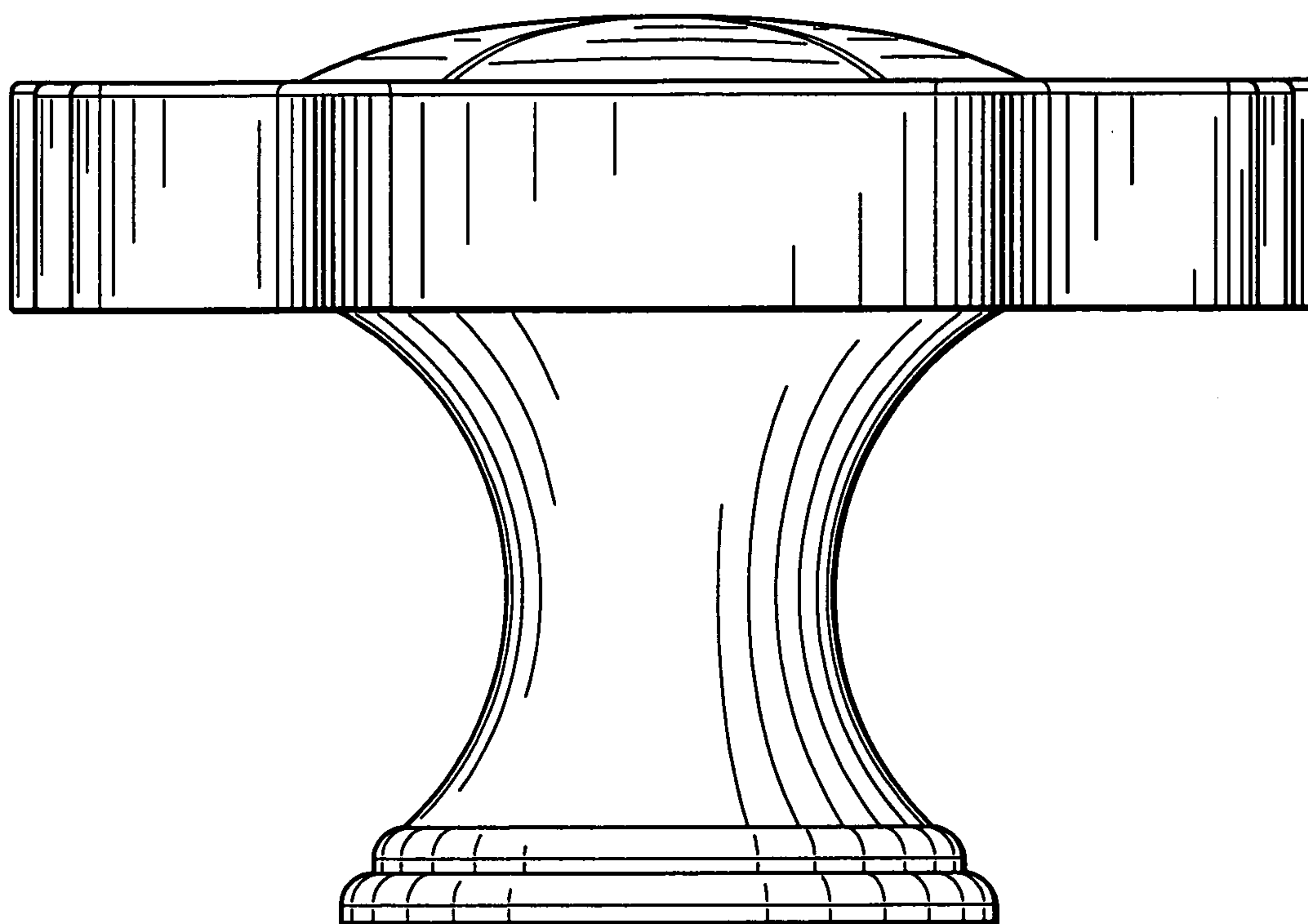


FIG. 2

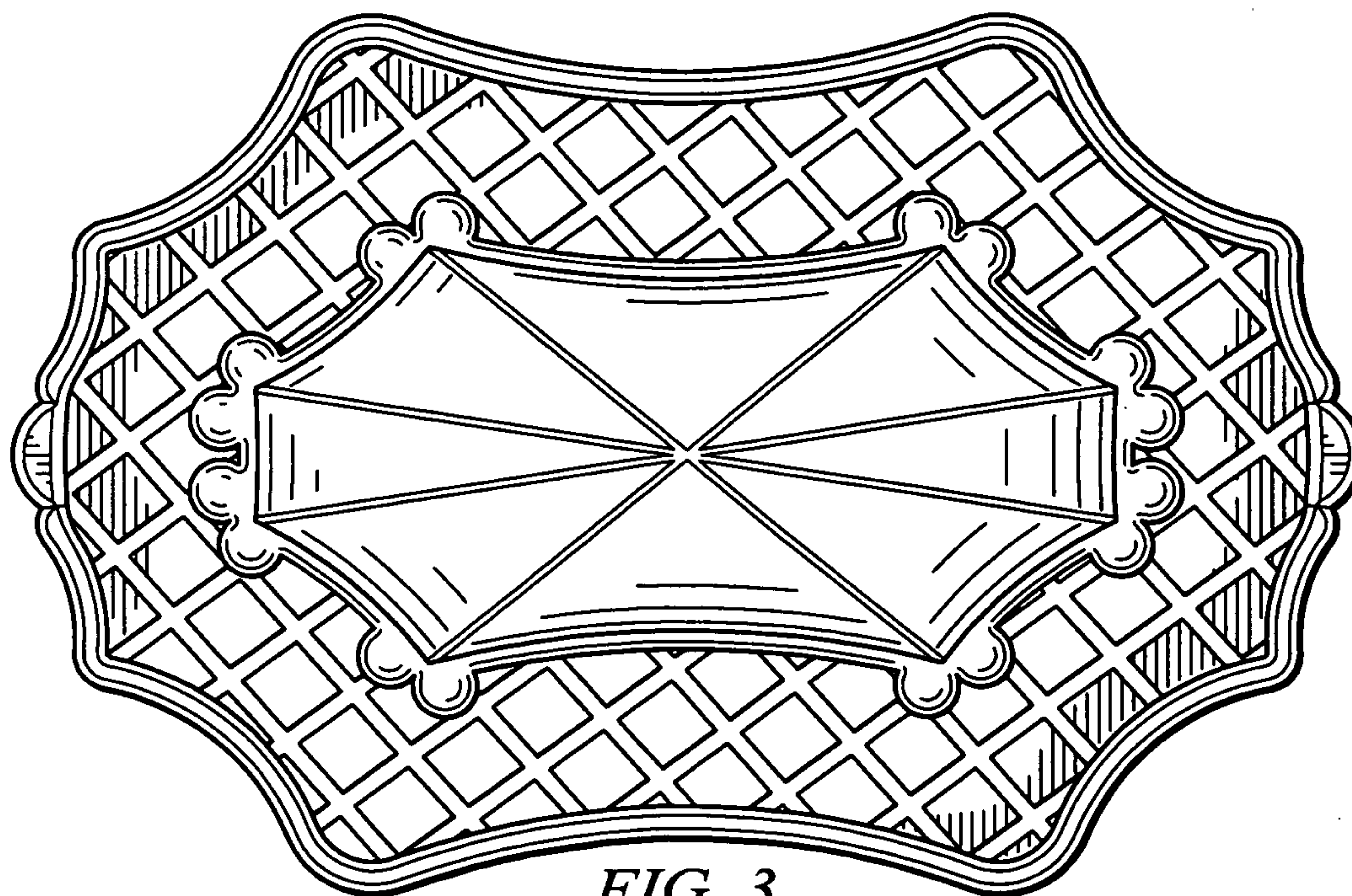
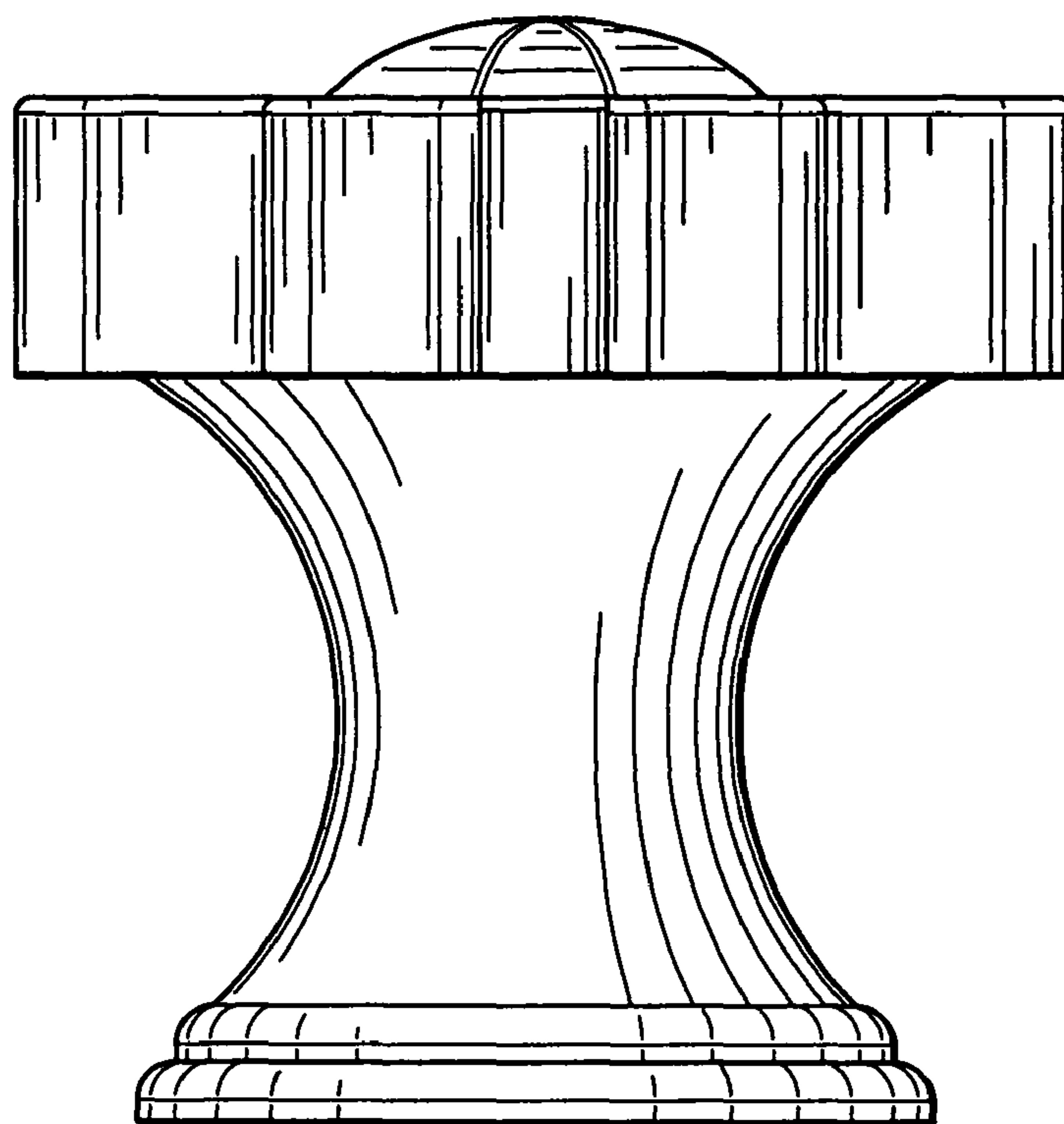
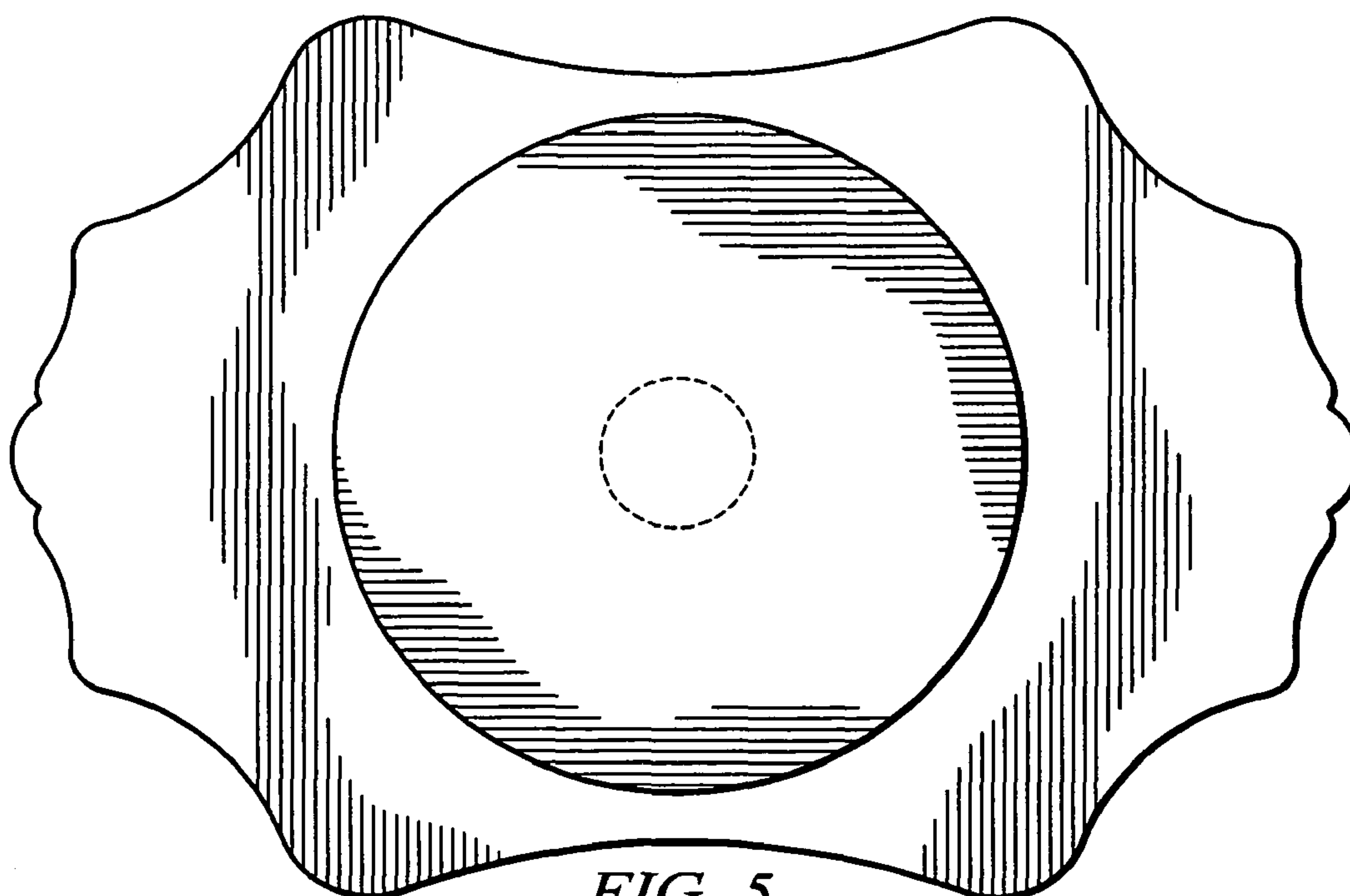


FIG. 3



*FIG. 4*



*FIG. 5*