



US00D634172S

(12) **United States Design Patent**  
**Robinson et al.**

(10) **Patent No.:** **US D634,172 S**  
(45) **Date of Patent:** **\*\* Mar. 15, 2011**

(54) **SCREWDRIVER HANDLE**

(75) Inventors: **Glenn Robinson**, Coral Springs, FL  
(US); **Michael Garcia**, Coral Springs,  
FL (US)

(73) Assignee: **IBT Holdings, LLC**, Deerfield Beach,  
FL (US)

(\*\*) Term: **14 Years**

(21) Appl. No.: **29/370,173**

(22) Filed: **Jun. 14, 2010**

(51) **LOC (9) Cl.** ..... **08-04**

(52) **U.S. Cl.** ..... **D8/83**

(58) **Field of Classification Search** ..... D8/25,  
D8/82-85, 87, 107; 16/110.1; 81/177.1,  
81/177.4, 436-440, 489

See application file for complete search history.

(56) **References Cited**

**U.S. PATENT DOCUMENTS**

D33,589	S	*	11/1900	Higgins	.....	D8/107
1,632,227	A	*	6/1927	Halsey	.....	16/421
2,815,837	A	*	12/1957	Morgan	.....	192/44
4,273,173	A	*	6/1981	Smith et al.	.....	81/177.4
D261,979	S	*	11/1981	Smith et al.	.....	D8/82
D278,593	S	*	4/1985	MacGregor	.....	D8/83
D288,656	S	*	3/1987	Smith	.....	D8/82
D309,246	S	*	7/1990	Cascio et al.	.....	D8/82
D387,964	S	*	12/1997	Urvoy	.....	D8/82
D401,493	S	*	11/1998	Lin	.....	D8/107

D468,183	S	*	1/2003	Hu	.....	D8/83
D470,369	S	*	2/2003	Byram et al.	.....	D8/25
D494,829	S	*	8/2004	Lin	.....	D8/83
D497,668	S	*	10/2004	Bogazzi	.....	D24/133
D510,247	S	*	10/2005	White	.....	D8/68
7,069,823	B1	*	7/2006	Howell	.....	81/177.1
D534,052	S	*	12/2006	Lin	.....	D8/107
D616,718	S	*	6/2010	van der Lande	.....	D8/85
D622,564	S	*	8/2010	Huang	.....	D8/25
D622,565	S	*	8/2010	Huang	.....	D8/25

\* cited by examiner

*Primary Examiner* — Philip S Hyder

*Assistant Examiner* — Roselynn Cody

(74) *Attorney, Agent, or Firm* — Dan De La Rosa

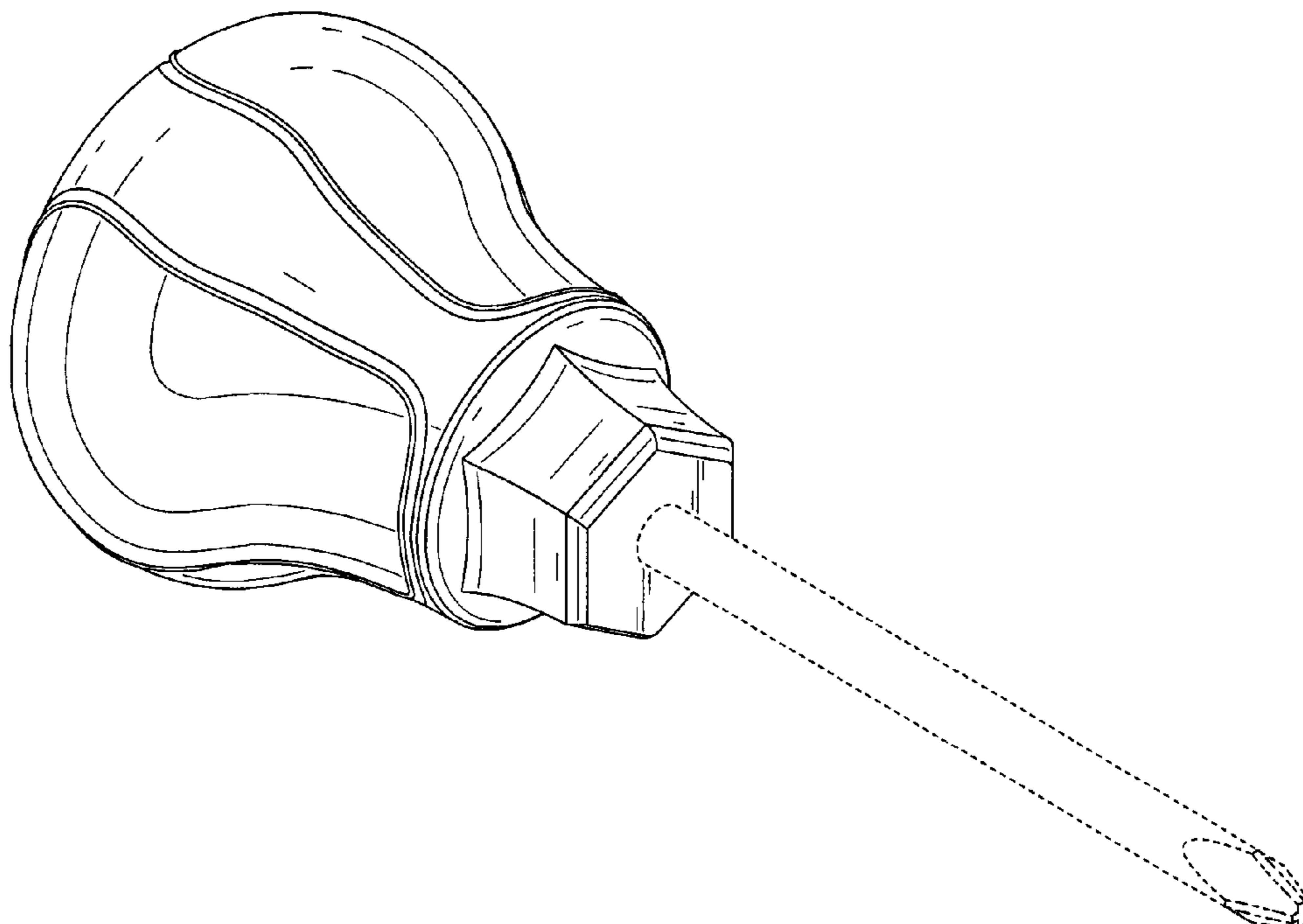
(57) **CLAIM**

The ornamental design for a screwdriver handle, as shown and described.

**DESCRIPTION**

FIG. 1 is a front perspective view of the screwdriver handle of the present invention showing my new design; FIG. 2 is a front side elevational view thereof; FIG. 3 is a back side elevational view thereof; FIG. 4 is a side elevational view thereof; FIG. 5 is another side elevational view thereof; FIG. 6 is a top plan view thereof; and, FIG. 7 is a bottom plan view thereof. The broken lines in the drawings illustrate a feature that forms no part of the claimed design.

**1 Claim, 4 Drawing Sheets**



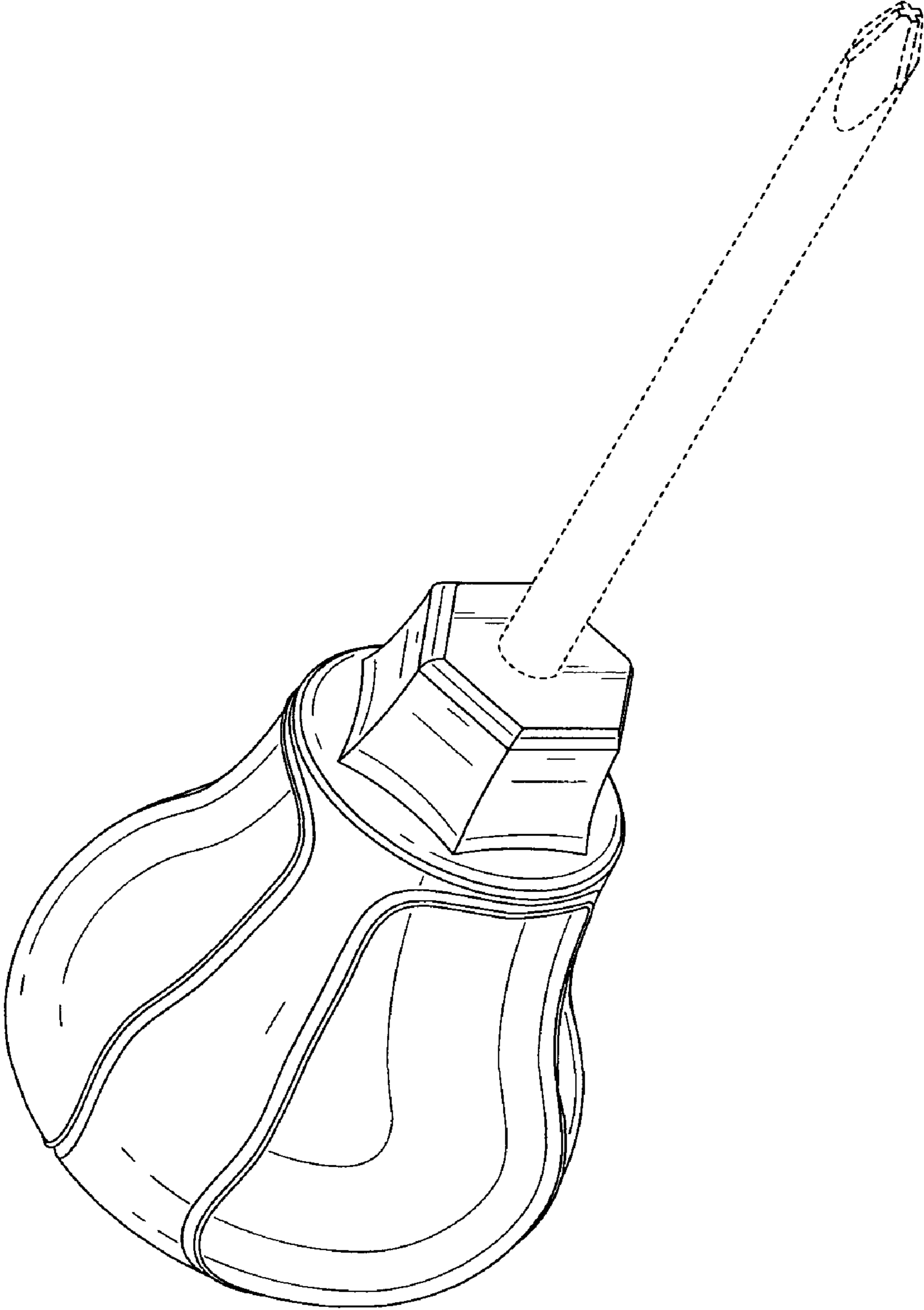


FIG. 1

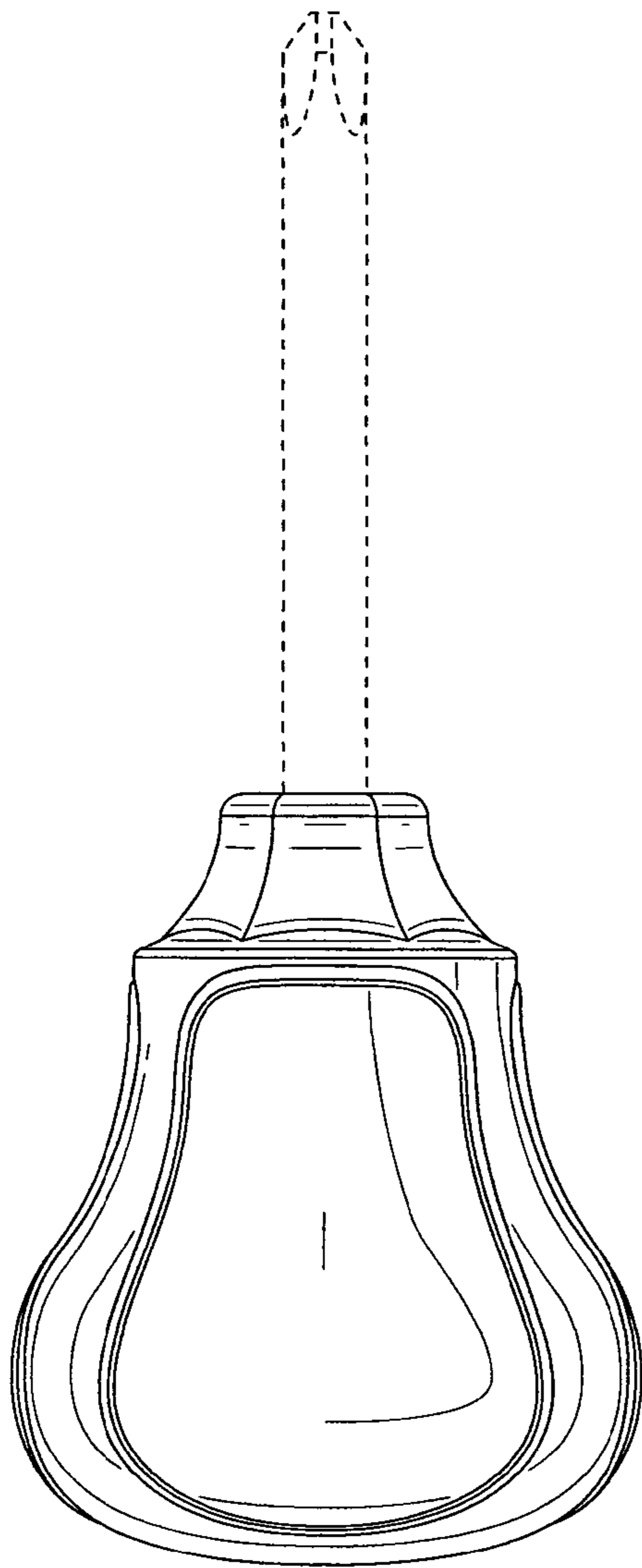


FIG. 2

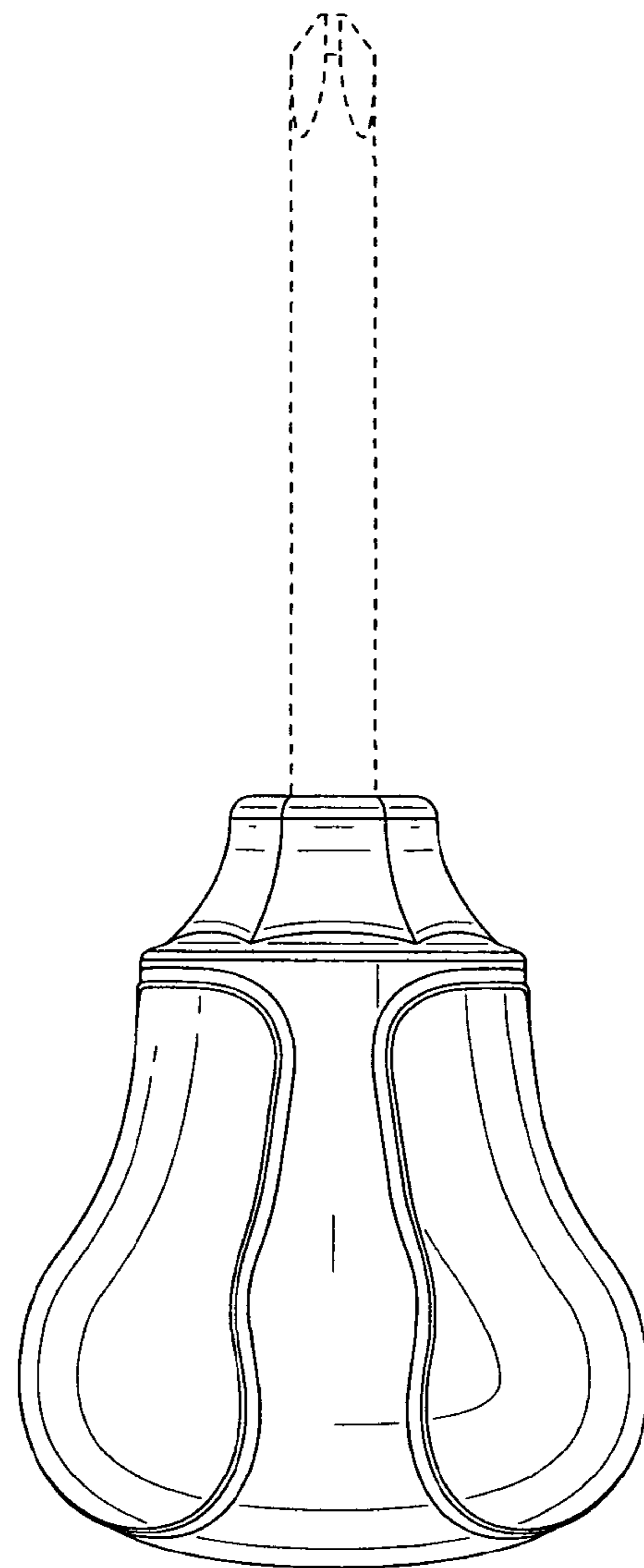


FIG. 3

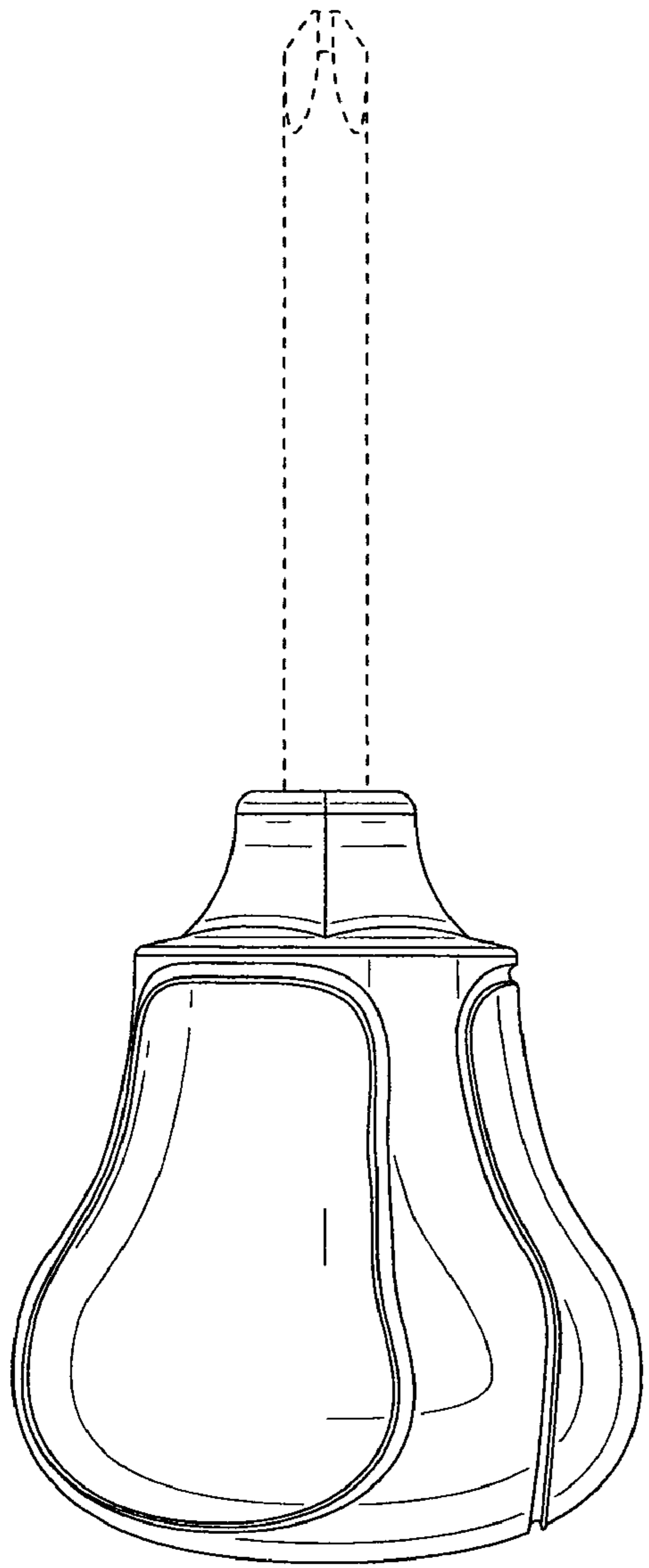


FIG. 4

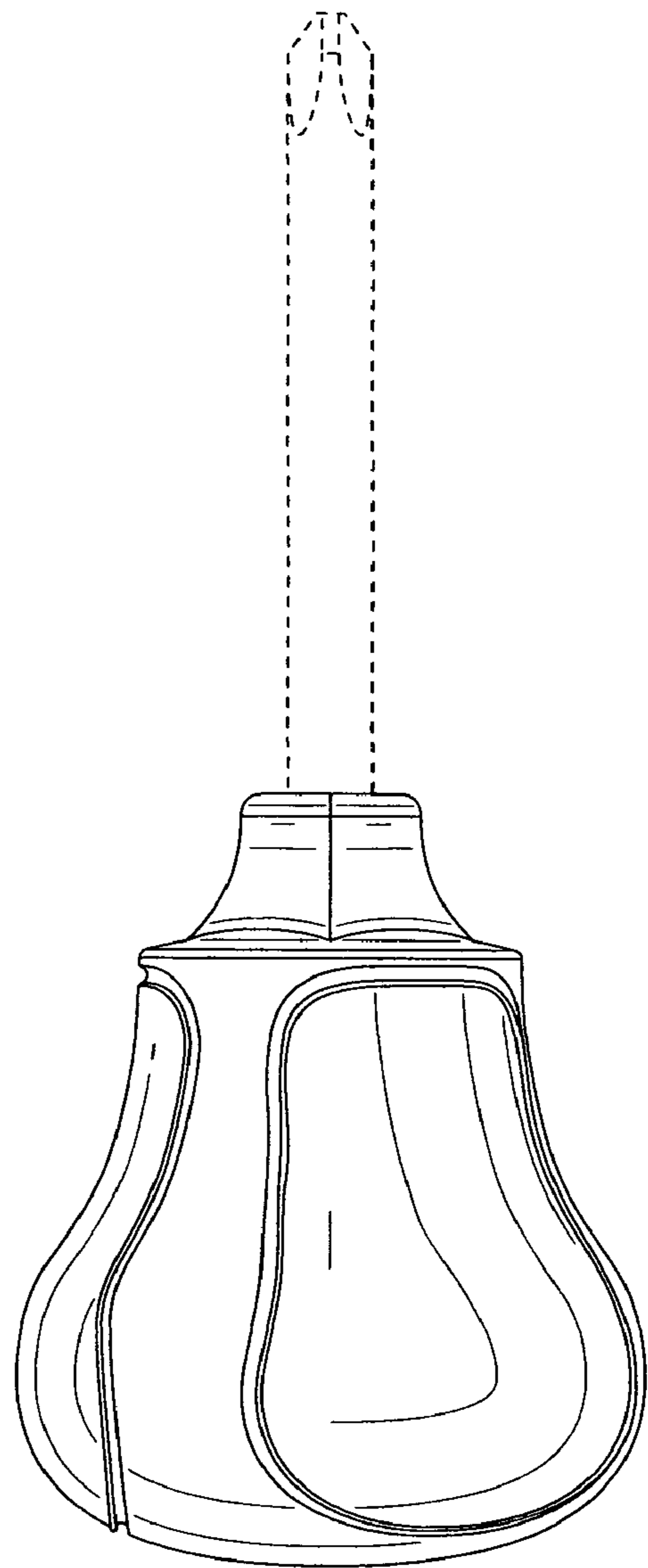


FIG. 5

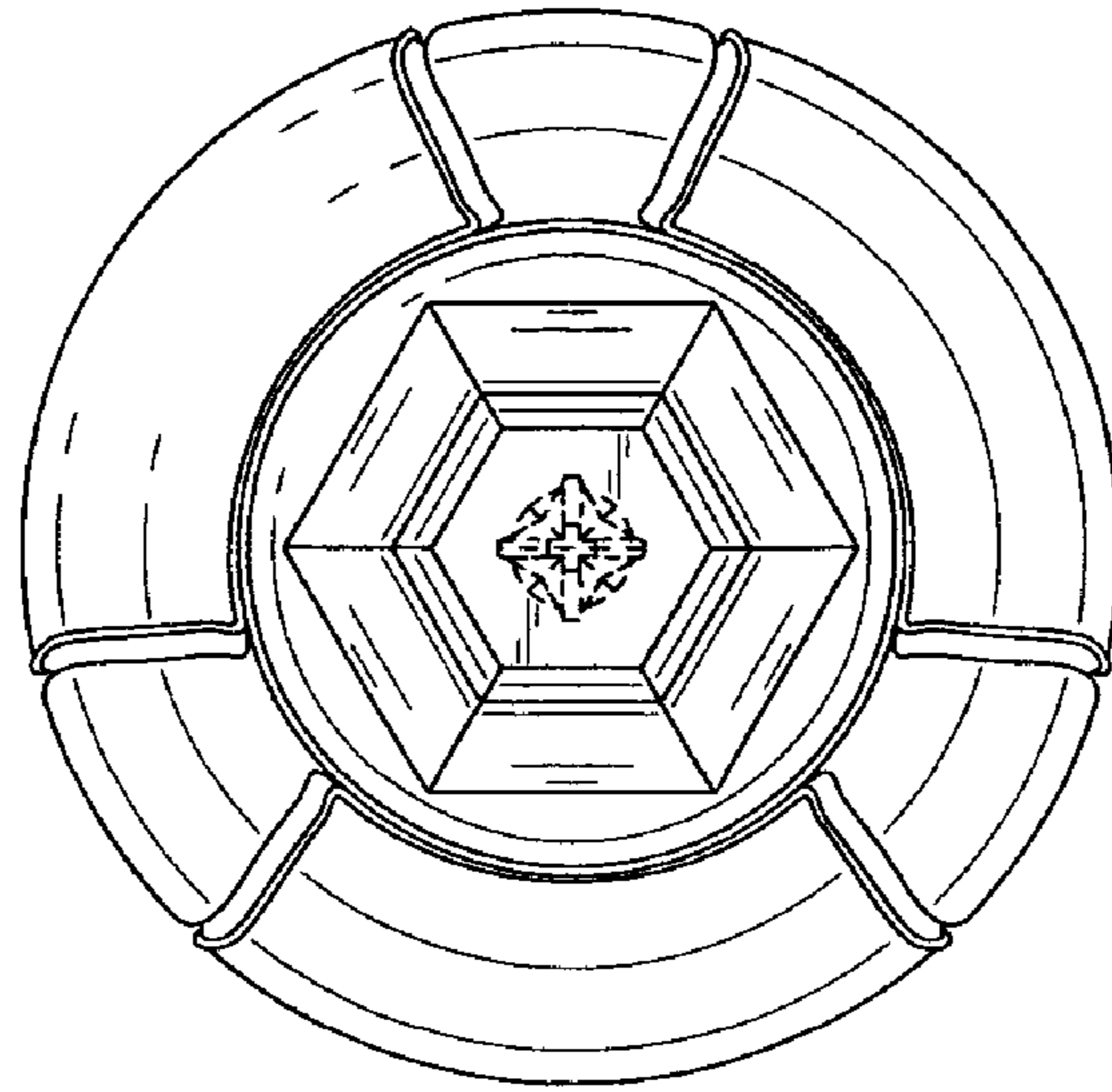


FIG. 6

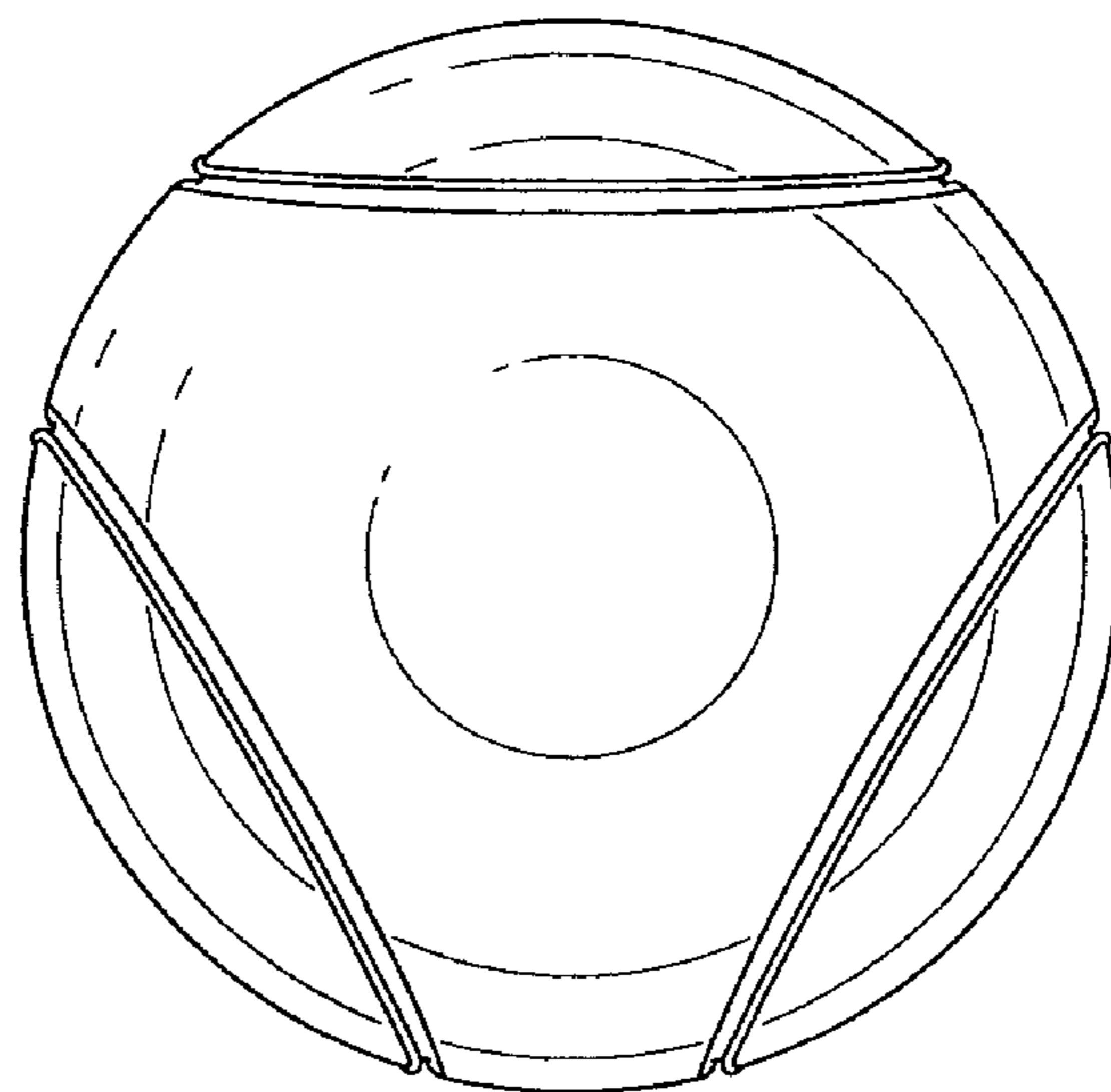


FIG. 7