



US00D634171S

(12) **United States Design Patent**
Hayakawa et al.

(10) **Patent No.:** **US D634,171 S**
(45) **Date of Patent:** **** Mar. 15, 2011**

(54) **PORTABLE ELECTRIC JIGSAW**
(75) Inventors: **Naohiro Hayakawa**, Anjo (JP); **Qi Bin Zhao**, Jiangsu (CN)
(73) Assignee: **Makita Corporation**, Anjo (JP)
(**) Term: **14 Years**
(21) Appl. No.: **29/347,732**
(22) Filed: **Apr. 28, 2010**

D476,871 S *	7/2003	Santarsiero et al.	D8/64
D484,381 S *	12/2003	Yamada et al.	D8/64
D486,711 S *	2/2004	Tam et al.	D8/64
D519,804 S *	5/2006	Wu	D8/64
D521,335 S *	5/2006	Parel et al.	D8/64
D525,097 S *	7/2006	Tsang et al.	D8/64
D560,455 S *	1/2008	Yamamoto et al.	D8/64
D560,989 S *	2/2008	Yamamoto et al.	D8/64
D566,504 S *	4/2008	Hayakawa et al.	
D572,555 S *	7/2008	Baumgaertner	D8/64
D573,858 S *	7/2008	Van Wambeke	D8/64
D574,687 S *	8/2008	Van Wambeke	D8/64
D578,366 S *	10/2008	Van Wambeke	D8/64
2002/0124419 A1 *	9/2002	Hirabayashi	30/329
2003/0167641 A1 *	9/2003	Teng	30/337

(30) **Foreign Application Priority Data**
Nov. 9, 2009 (JP) 2009-26055
(51) **LOC (9) Cl.** **08-03**
(52) **U.S. Cl.** **D8/64**
(58) **Field of Classification Search** D8/69,
D8/68, 67, 66, 64, 61; 83/747, 699.21; 310/50;
30/394, 393, 392, 391, 390, 377, 376; 173/216,
173/217; 89/40.06, 41.19, 37.04, 33.04,
89/191.01, 200-204; 124/67, 66, 74
See application file for complete search history.

* cited by examiner
Primary Examiner — Austin Murphy
(74) *Attorney, Agent, or Firm* — Oliff & Berridge, PLC

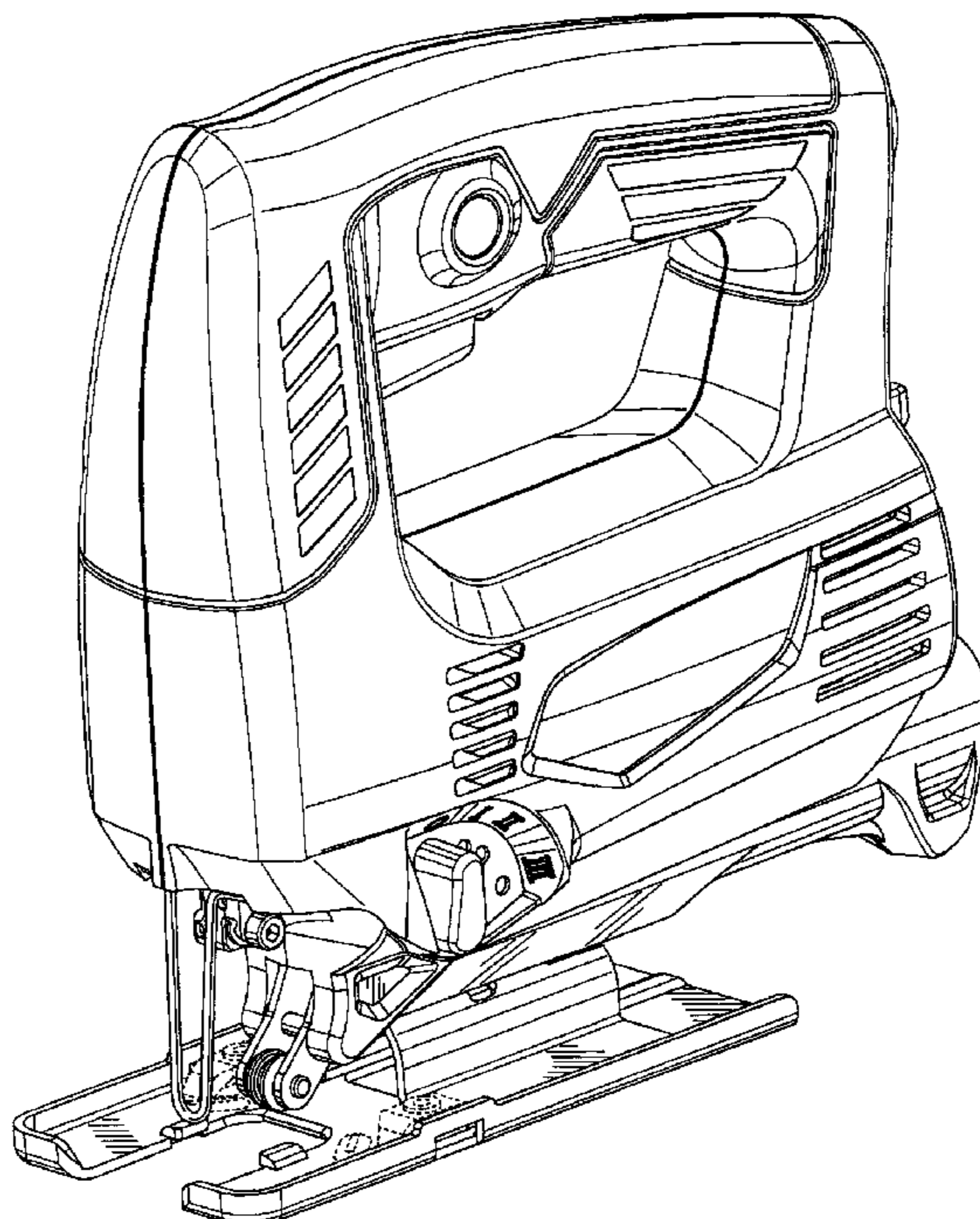
(56) **References Cited**
U.S. PATENT DOCUMENTS
D339,276 S * 9/1993 Matsuoka et al. D8/64
D404,274 S * 1/1999 Ogasawara et al. D8/64
D409,469 S * 5/1999 Niwa et al. D8/69
D414,094 S * 9/1999 Heun D8/64
D440,474 S * 4/2001 Heun D8/64
D451,356 S * 12/2001 Pretzell D8/64
D463,963 S * 10/2002 Metaxatos et al. D8/64
D474,384 S * 5/2003 Andriolo D8/64

(57) **CLAIM**
The ornamental design for a portable electric jigsaw, as shown and described.

DESCRIPTION

FIG. 1 is a perspective view of a portable electric jigsaw showing our new design;
FIG. 2 is a front elevation view thereof;
FIG. 3 is a rear elevation view thereof;
FIG. 4 is a left side elevation view thereof;
FIG. 5 is a right side elevation view thereof;
FIG. 6 is a top plan view thereof; and,
FIG. 7 is a bottom plan view thereof.
The broken lines depict unclaimed portions of the portable electric jigsaw only and form no part of the claimed design.

1 Claim, 5 Drawing Sheets



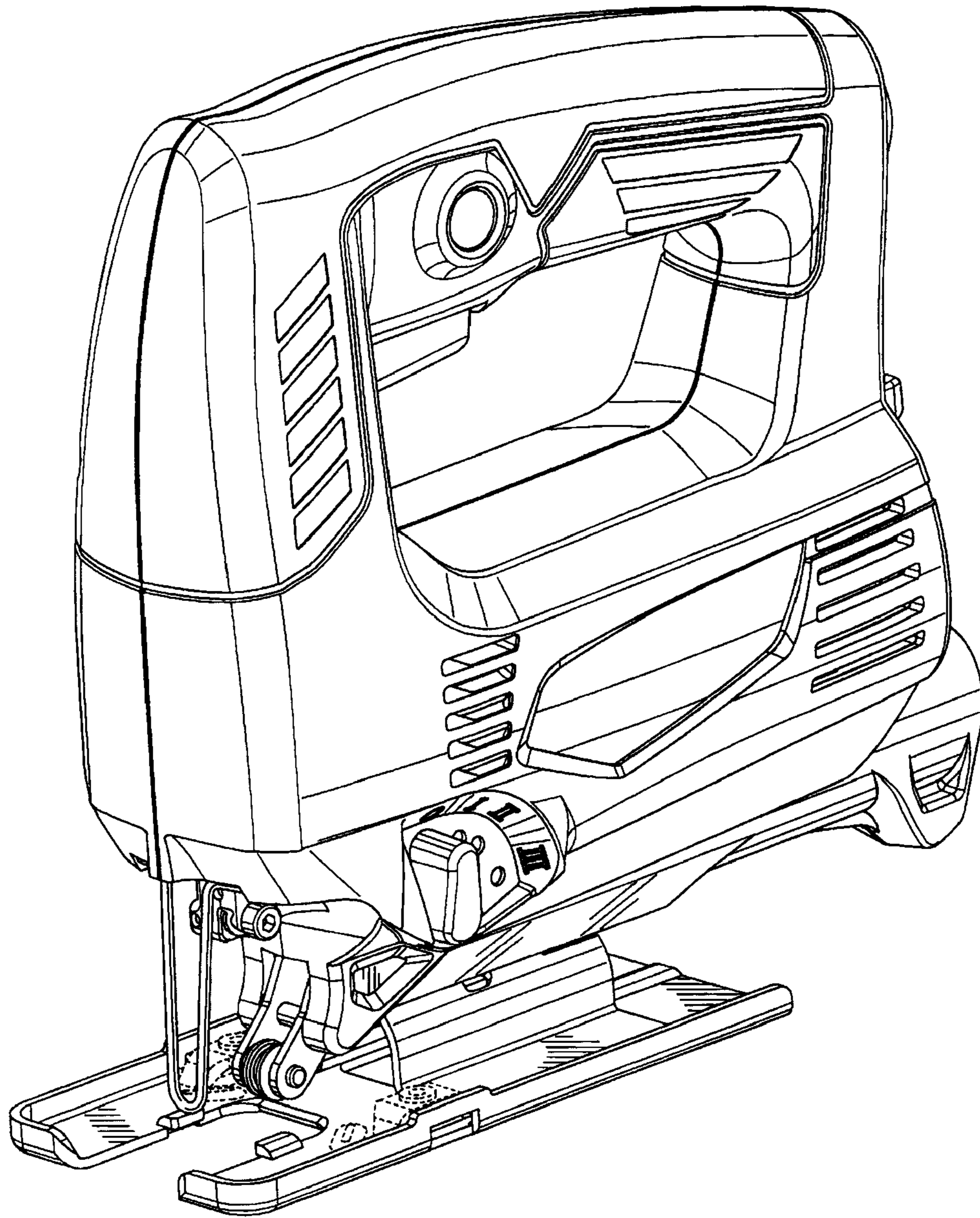


FIG. 1

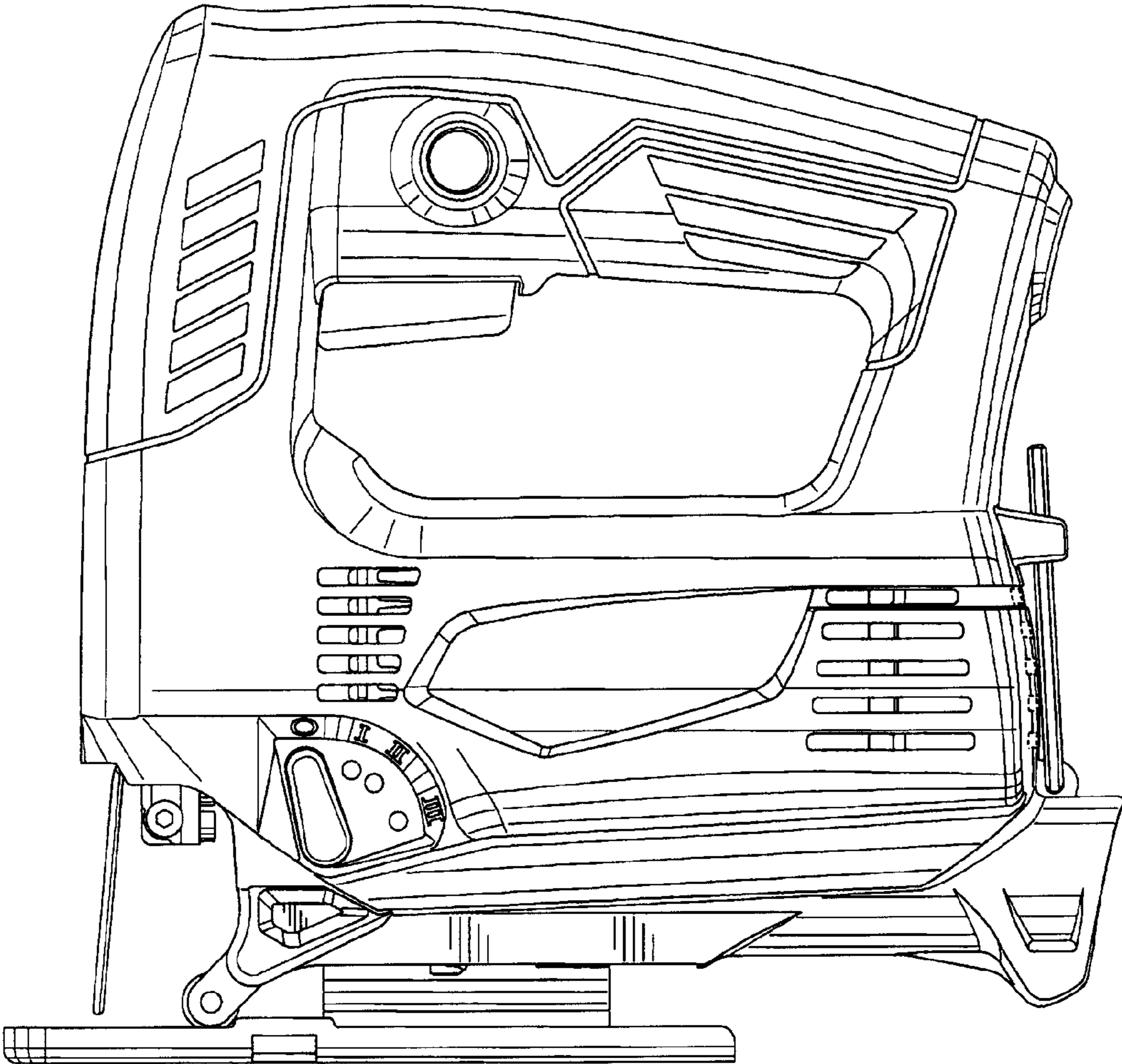


FIG. 2

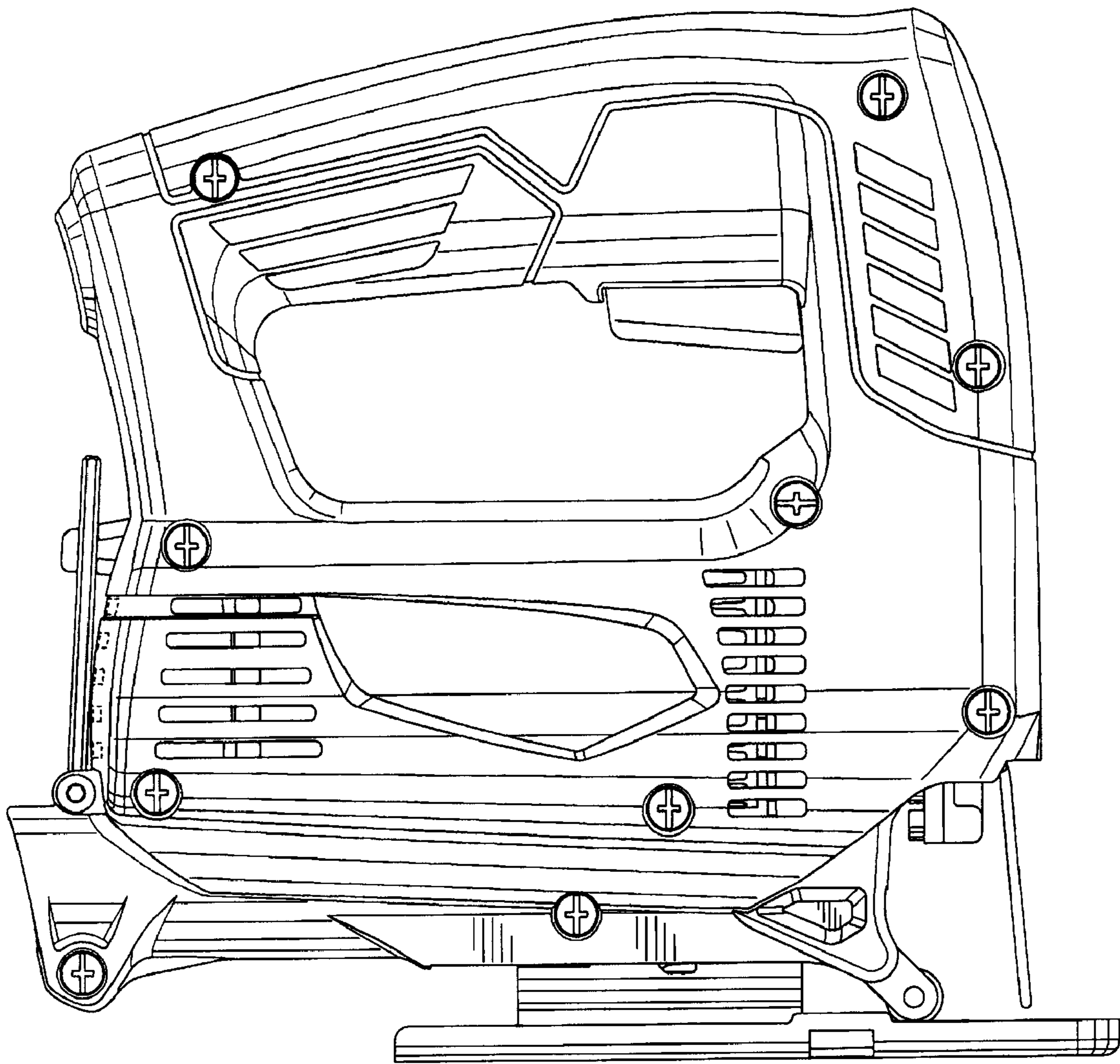


FIG. 3

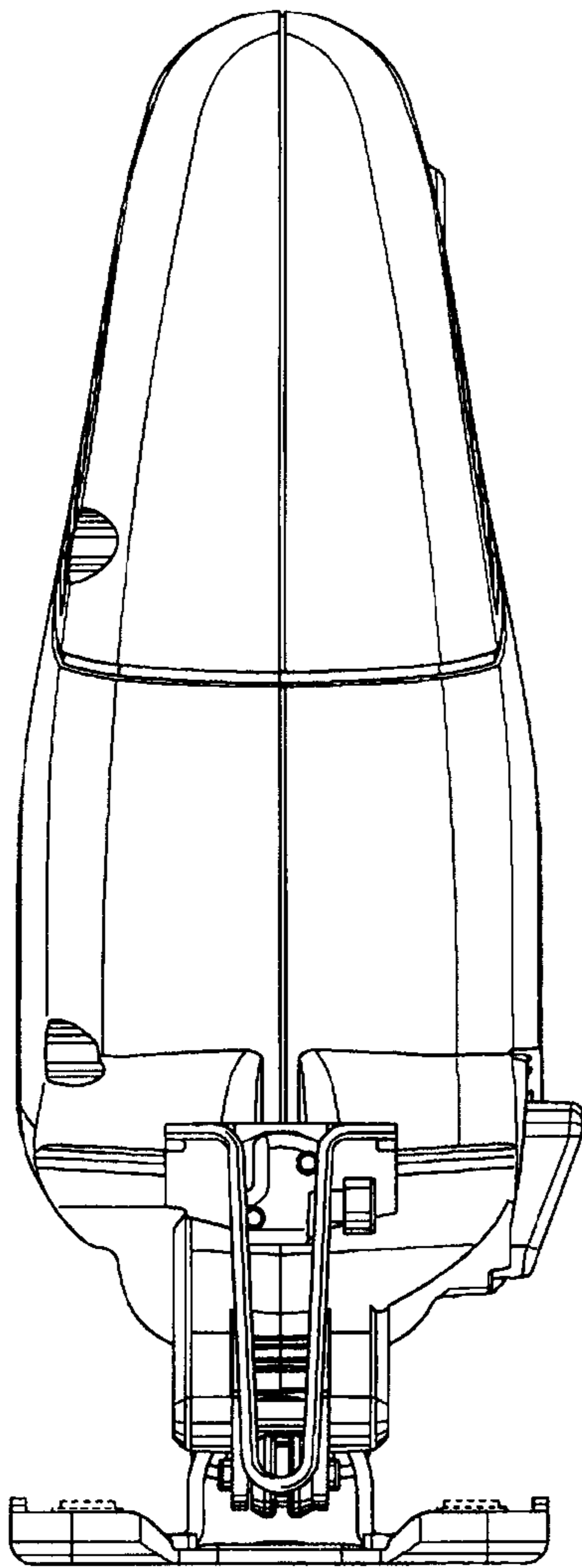


FIG. 4

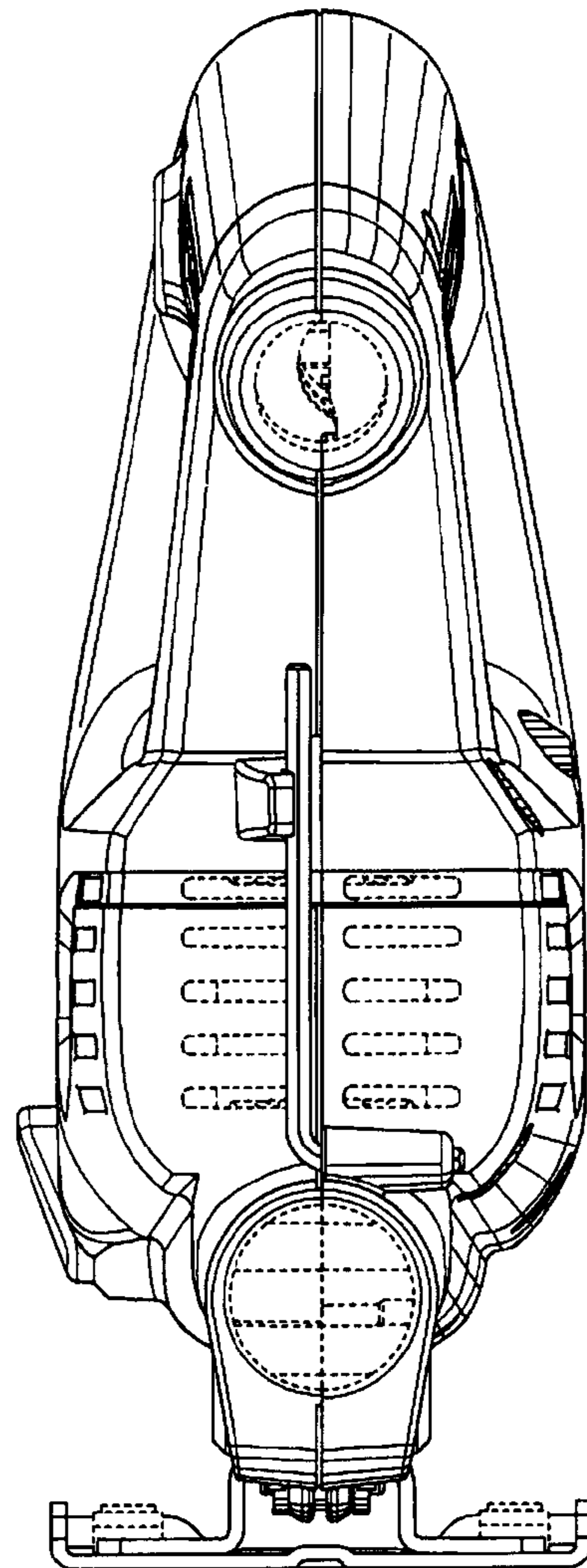


FIG. 5

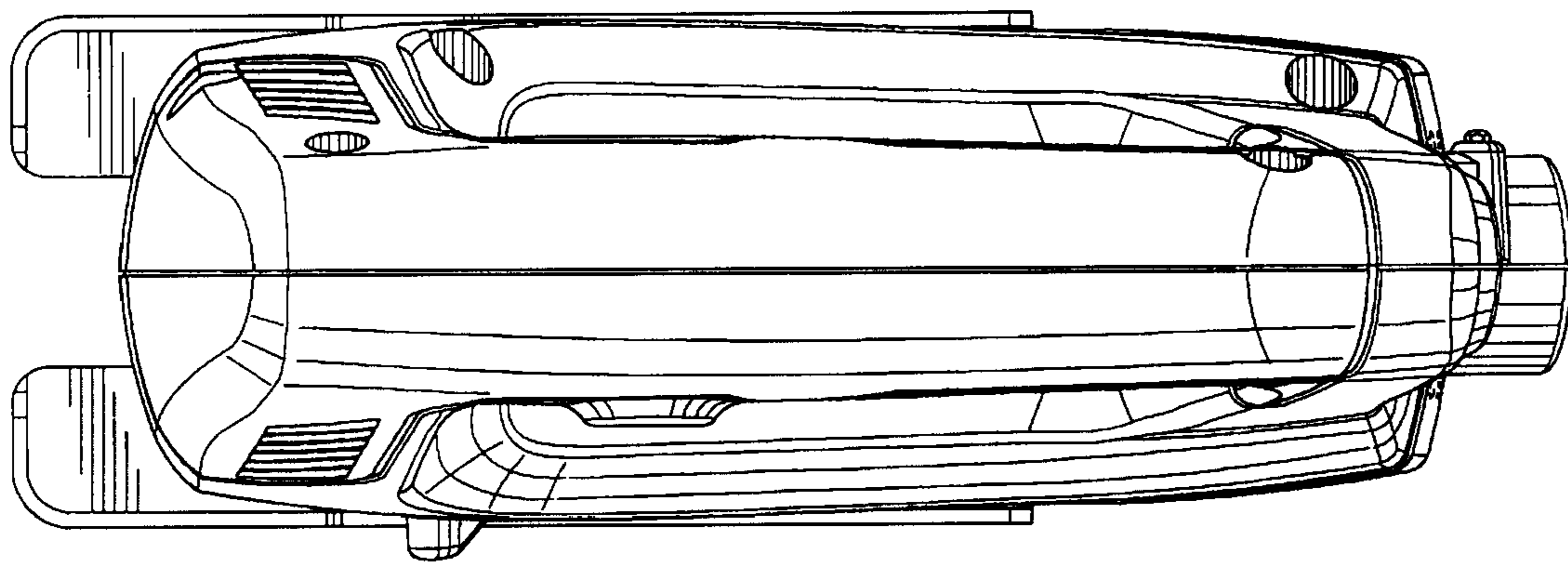


FIG. 6

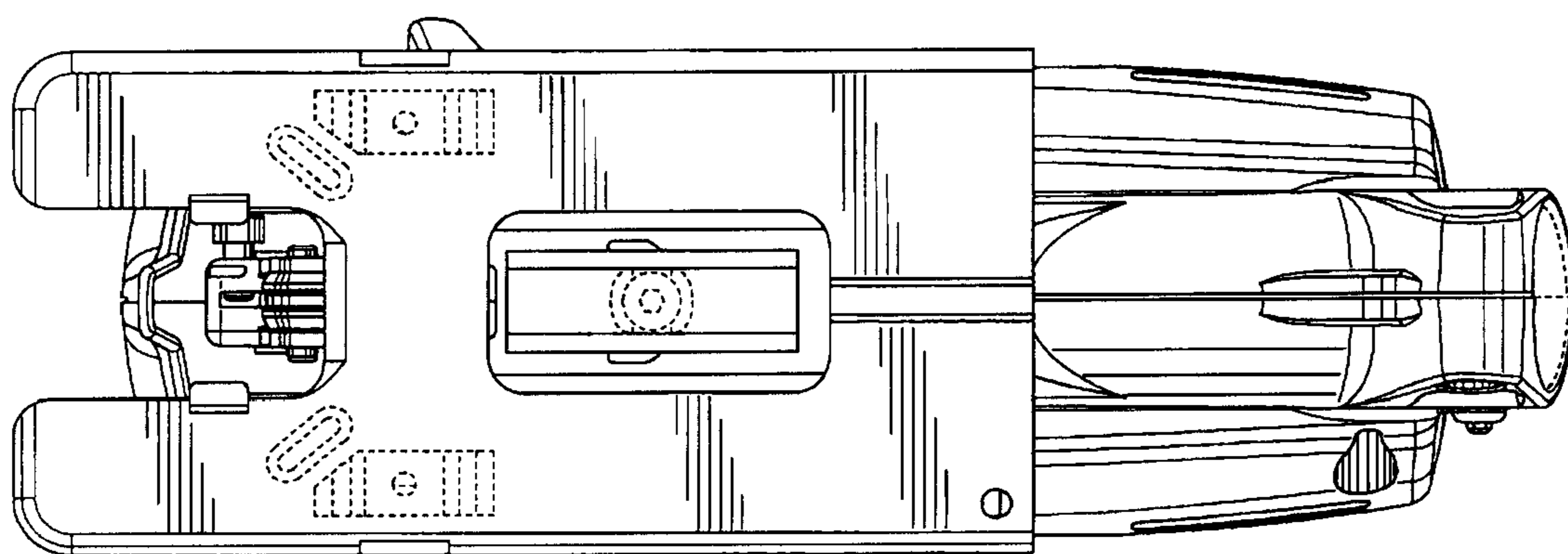


FIG. 7