



US00D634168S

(12) **United States Design Patent**
Ghatikar et al.

(10) **Patent No.:** **US D634,168 S**
(45) **Date of Patent:** **** *Mar. 15, 2011**

(54) **COMBINED PRESSURE FIT BASE AND STEM FOR MODULAR PANEL MOUNTING SYSTEMS**

4,819,817 A 4/1989 Mar
5,095,862 A 3/1992 Murphy
5,148,928 A 9/1992 Arnold
D347,382 S 5/1994 Carruthers
5,540,514 A 7/1996 Demars et al.
5,558,501 A 9/1996 Wang et al.

(75) Inventors: **Venugopal R. Ghatikar**, Salt Lake City, UT (US); **William Gatti**, Sandy, UT (US); **Michael Damen**, Rochetoirin (FR); **Guillaume Martin**, Rochetoirin (FR)

(Continued)

(73) Assignee: **3form, Inc.**, Salt Lake City, UT (US)

(**) Term: **14 Years**

(21) Appl. No.: **29/339,982**

(22) Filed: **Jul. 10, 2009**

OTHER PUBLICATIONS

Office Action mailed Oct. 19, 2010, U.S. Appl. No. 12/028,584, filed Feb. 8, 2008 (5 pages).

(Continued)

Primary Examiner — Holly H Baynham

Assistant Examiner — Sheryl Lane

(74) *Attorney, Agent, or Firm* — Workman Nydegger

Related U.S. Application Data

(63) Continuation of application No. 12/028,584, filed on Feb. 8, 2008.

(51) **LOC (9) Cl.** **08-01**

(52) **U.S. Cl.** **D8/10**

(58) **Field of Classification Search** D8/382,
D8/349, 354, 387; 211/187; 52/208, 204.7,
52/286.1

See application file for complete search history.

CLAIM

The ornamental design for a combined pressure fit base and stem for modular panel mounting systems, as shown and described.

DESCRIPTION

FIG. 1 is an exploded perspective view of a combined pressure fit base and stem for modular panel mounting systems according to one example;

FIG. 2 is an assembled perspective view thereof;

FIG. 3 is a bottom plan view thereof;

FIG. 4 is a front elevation view thereof;

FIG. 5 is a front elevation view of the combined pressure fit base and stem for modular panel mounting systems in an alternate orientation;

FIG. 6 is a top plan view of the combined pressure fit base and stem for modular panel mounting systems in the orientation of FIG. 1; and,

FIG. 7 is a perspective view of the combined pressure fit base and stem for modular panel mounting systems in the orientation shown in FIG. 1 in an exemplary environment.

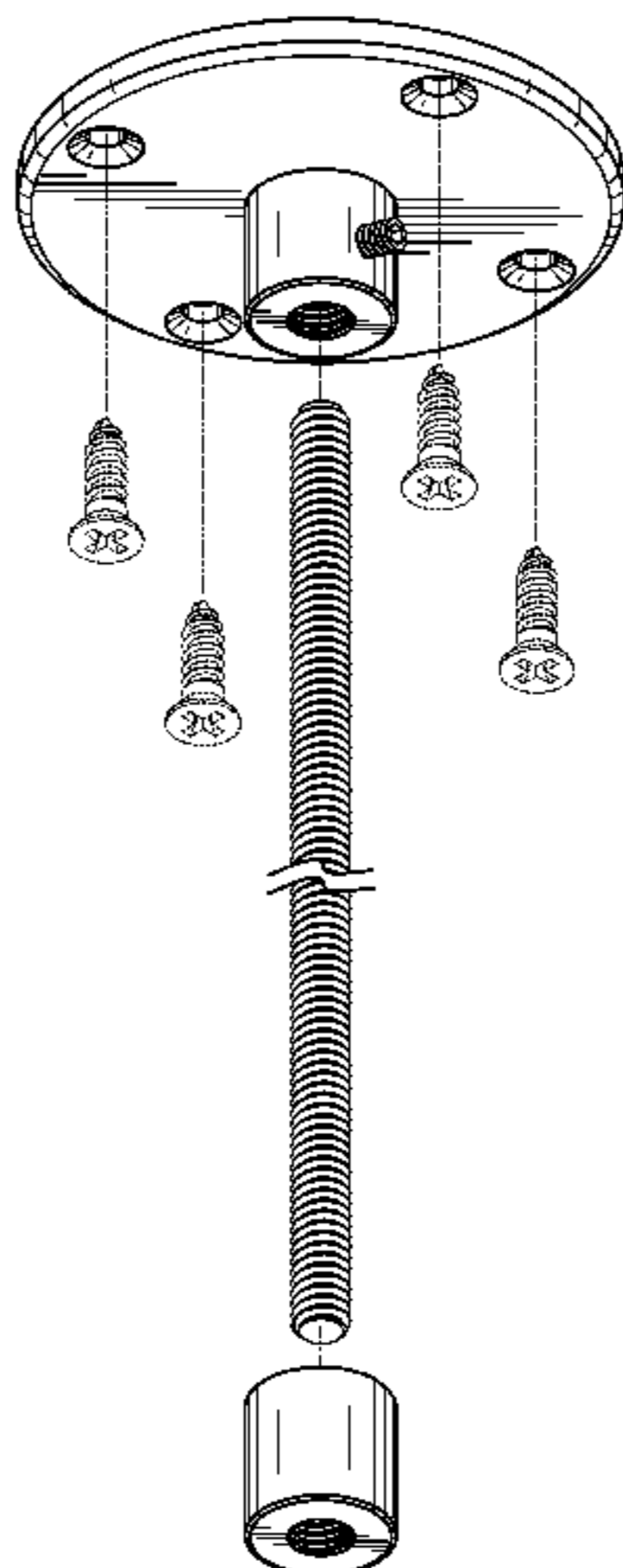
The broken lines in the figures are included for environmental or illustrative purposes only and form no part of the claimed design.

(56) **References Cited**

U.S. PATENT DOCUMENTS

1,382,505 A	6/1921	Hargey
D58,666 S	8/1921	Eustis
2,180,633 A	11/1939	Holt
2,903,227 A	9/1959	Key
3,221,678 A	12/1965	Doherty
3,762,116 A	10/1973	Anderson
3,771,466 A	11/1973	Ferdinand et al.
4,145,849 A	3/1979	Shindoll et al.
4,187,892 A	2/1980	Simmons
4,188,758 A	2/1980	Swann
4,516,619 A	5/1985	Hasbrouck
4,648,766 A	3/1987	Wollar
D298,736 S	11/1988	Shiraishi
D298,801 S	12/1988	Satoh

1 Claim, 5 Drawing Sheets



US D634,168 S

Page 2

U.S. PATENT DOCUMENTS

5,826,847 A 10/1998 Warner et al.
5,924,469 A 7/1999 Whittemore
D421,896 S * 3/2000 Hamernik D8/382
D426,146 S 6/2000 Bruns et al.
6,241,108 B1 6/2001 Nakatani et al.
6,254,397 B1 7/2001 Elmer
6,430,894 B1 8/2002 Chae et al.
6,443,319 B1 * 9/2002 Sander 211/187
6,467,225 B1 10/2002 Shimomura
6,688,238 B1 2/2004 Alexiou
D491,451 S * 6/2004 Jien D8/382
7,165,690 B2 1/2007 Wu
D553,478 S * 10/2007 Liao D8/354
7,293,667 B2 11/2007 Flynn
D563,216 S 3/2008 Suehiro et al.
D590,702 S * 4/2009 Giddings D8/382
D590,703 S 4/2009 Suehiro et al.

D592,043 S 5/2009 Suehiro et al.
D593,850 S 6/2009 Kullman
D594,735 S * 6/2009 Hofer D8/349
D596,926 S * 7/2009 Venkateraman et al. D8/354
D604,614 S 11/2009 Janboecke
D611,800 S * 3/2010 Ghatikar D8/354
D612,713 S 3/2010 Konecnik
D623,506 S 9/2010 Ghatikar et al.
2004/0173551 A1 9/2004 Wu
2004/0226903 A1 11/2004 Wang

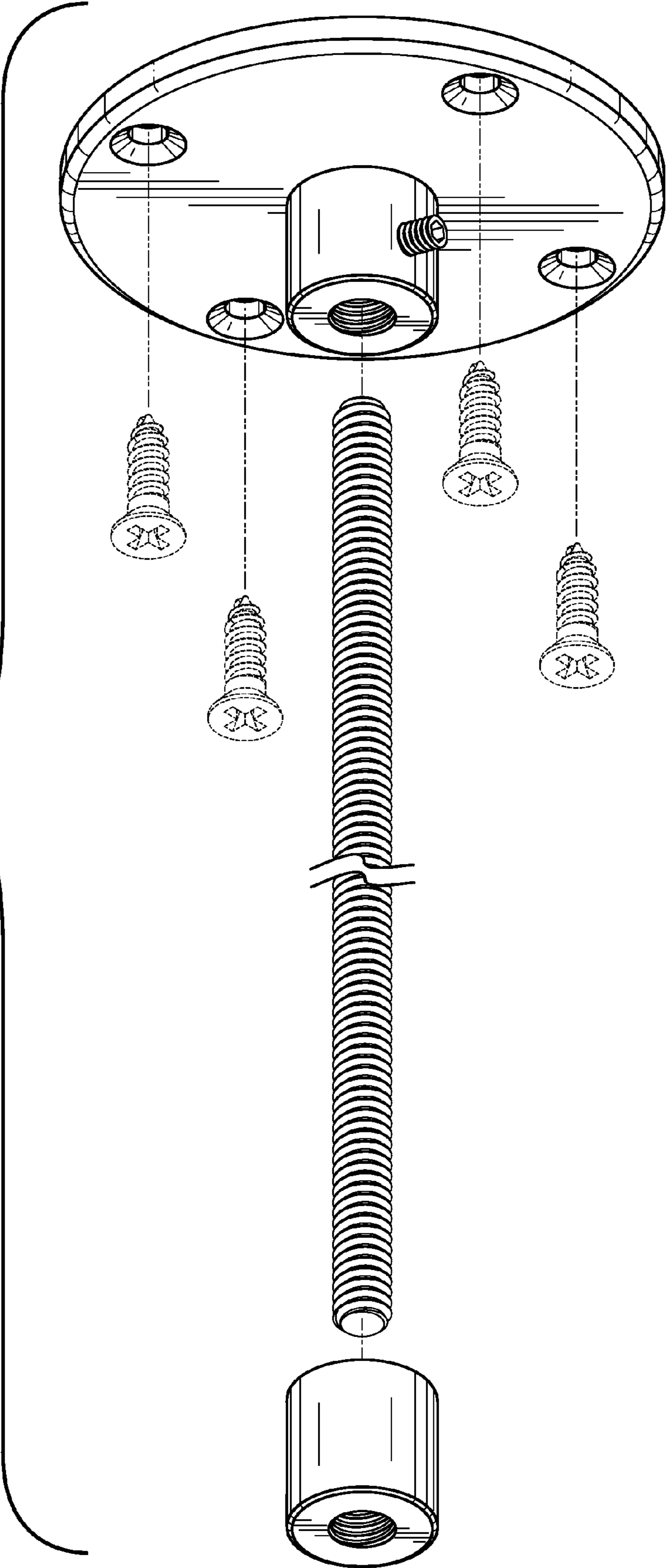
OTHER PUBLICATIONS

Office Action mailed Nov. 10, 2010, U.S. Appl. No. 29/364,970, filed Jun. 30, 2010 (6 pages).

Office Action mailed May 7, 2010, U.S. Appl. No. 29/339,988, filed Jul. 10, 2006 (5 pages).

* cited by examiner

Figure 1



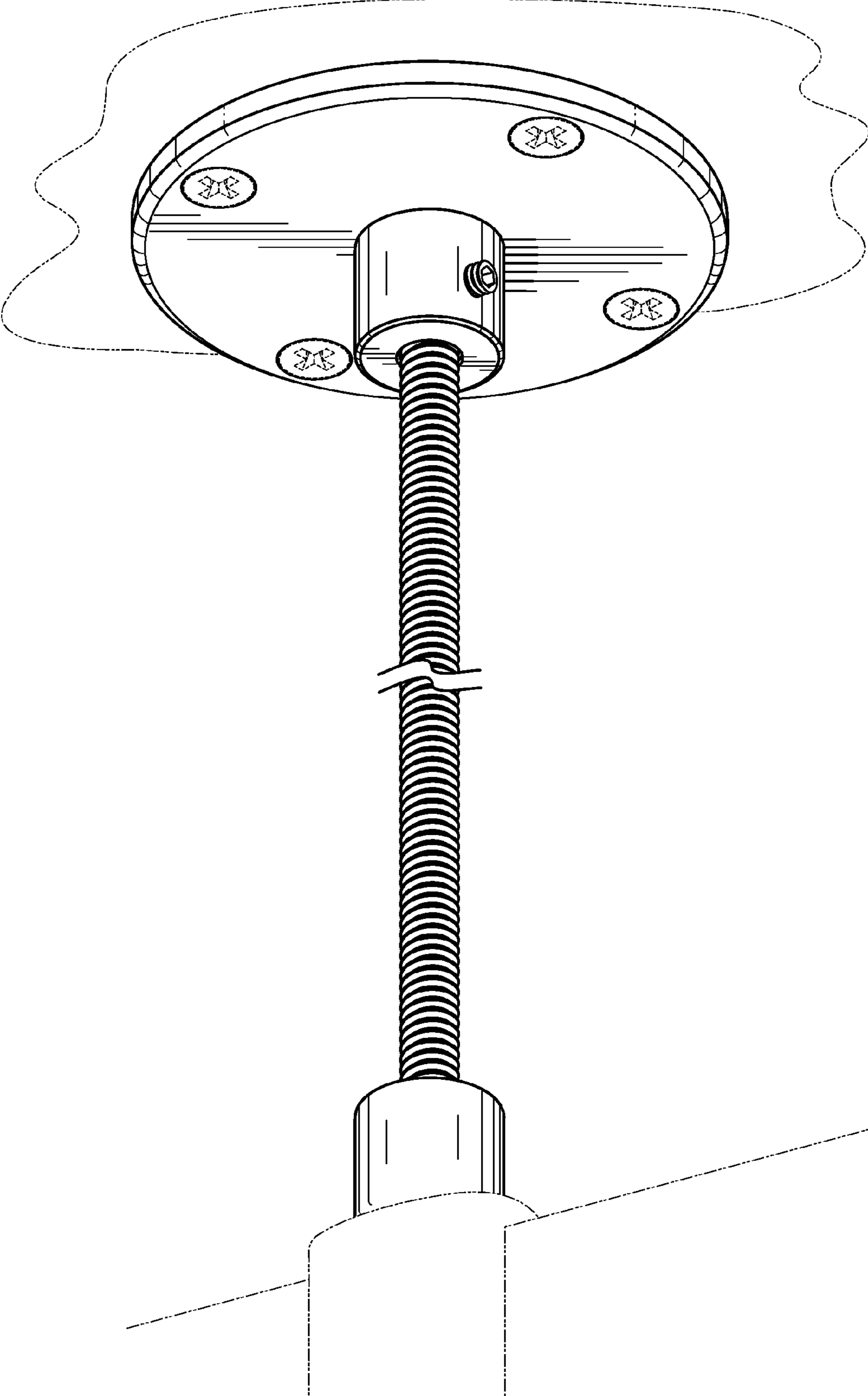


Figure 2

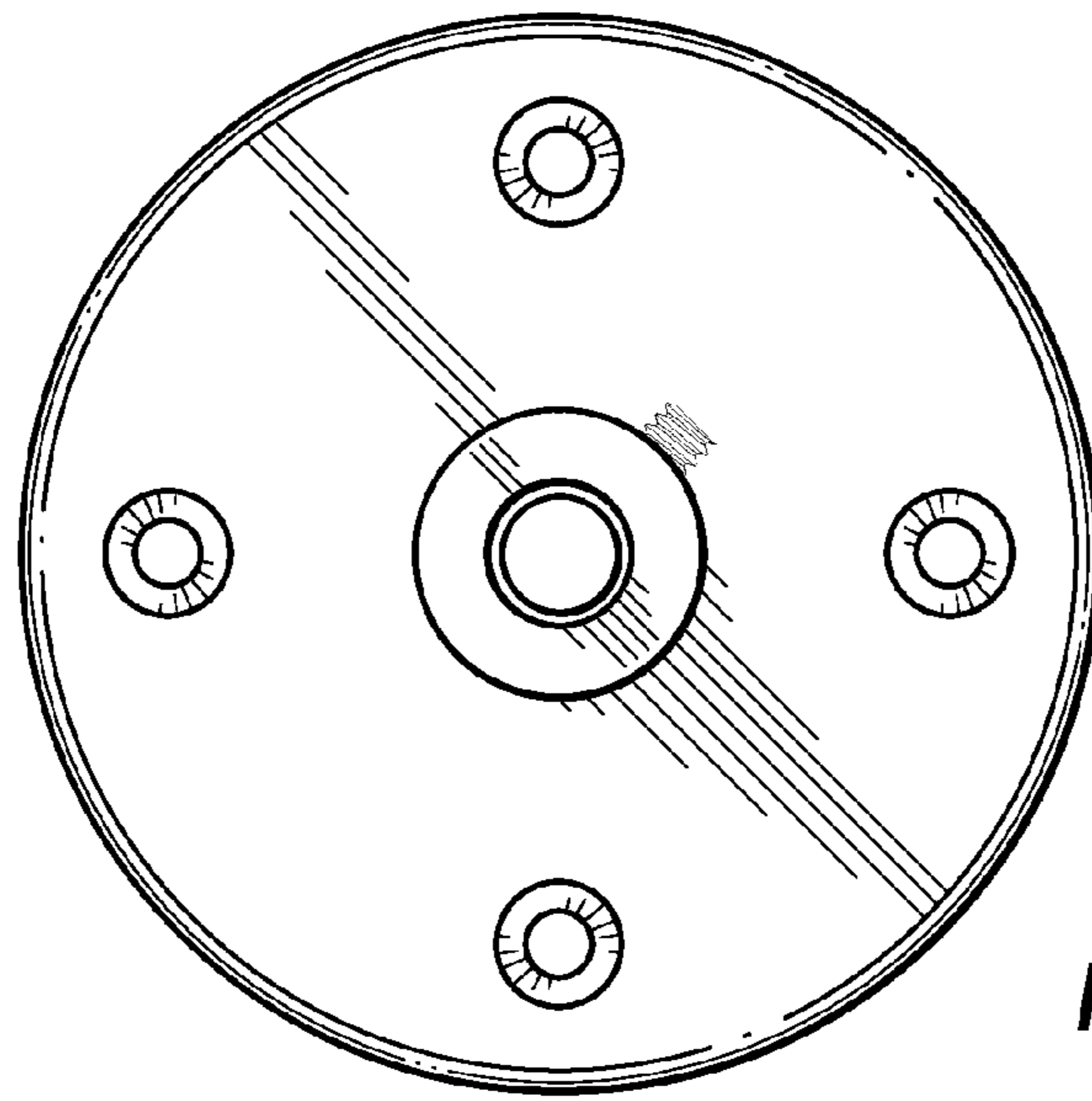


Figure 3

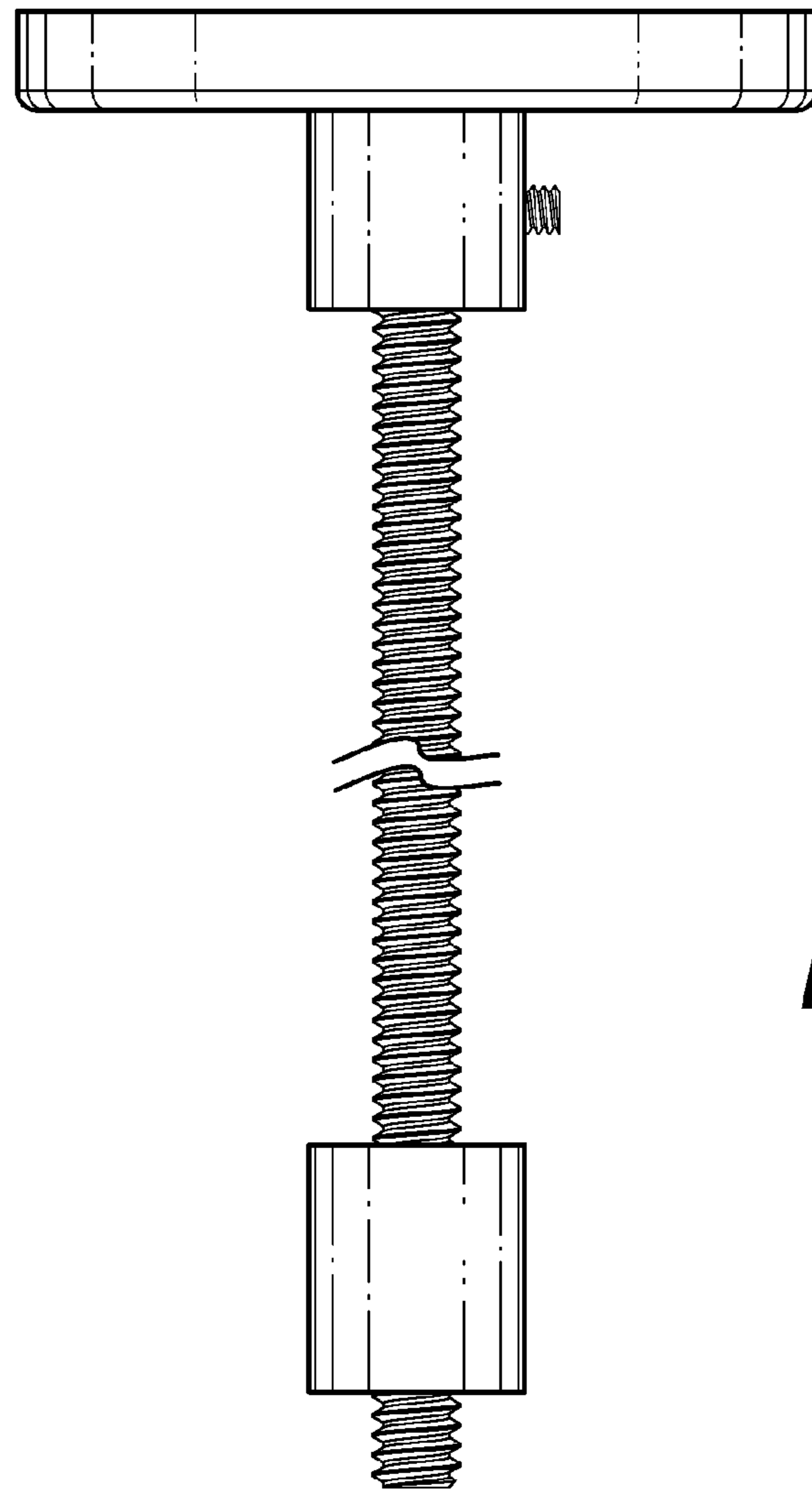


Figure 4

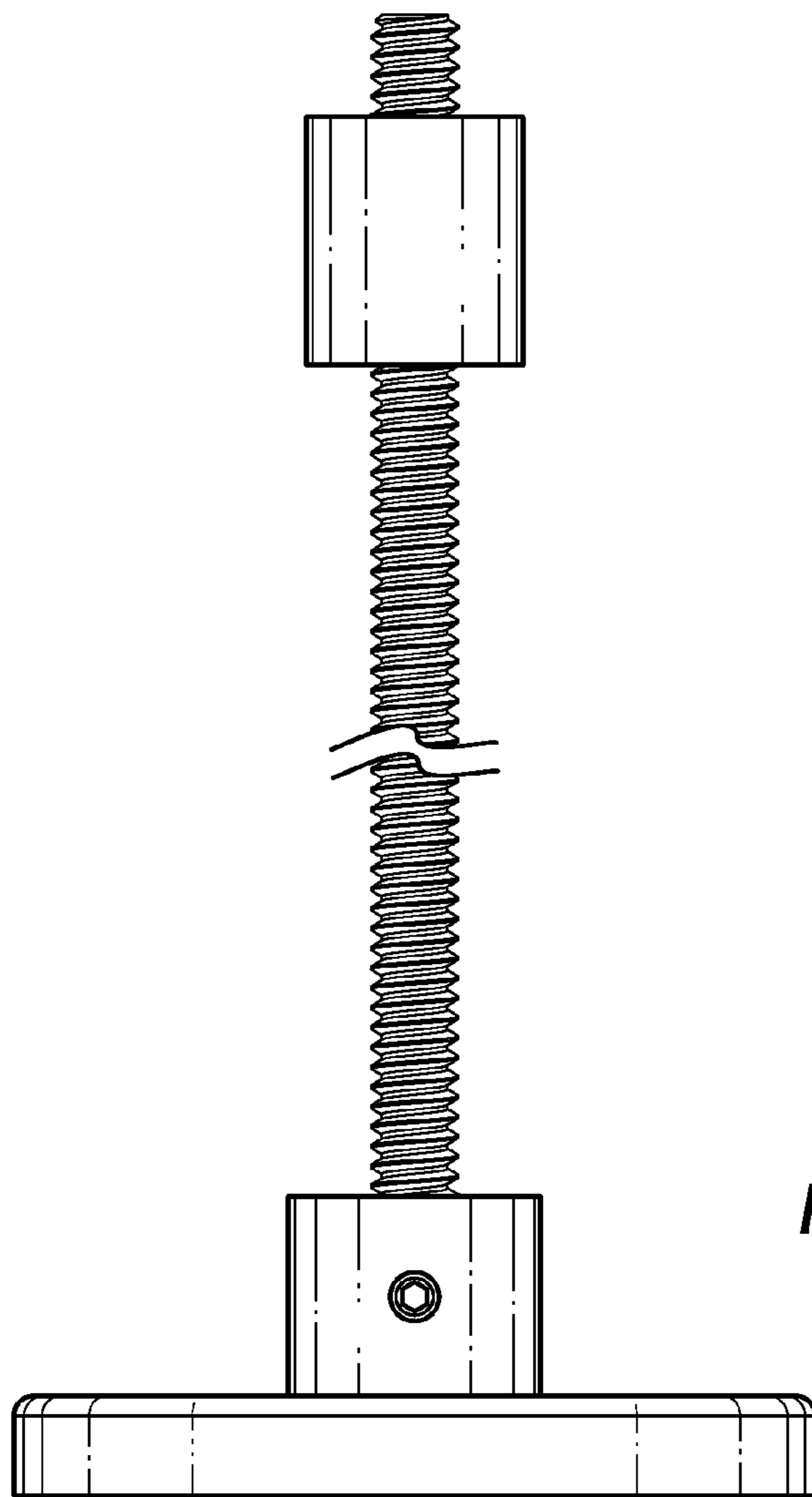


Figure 5

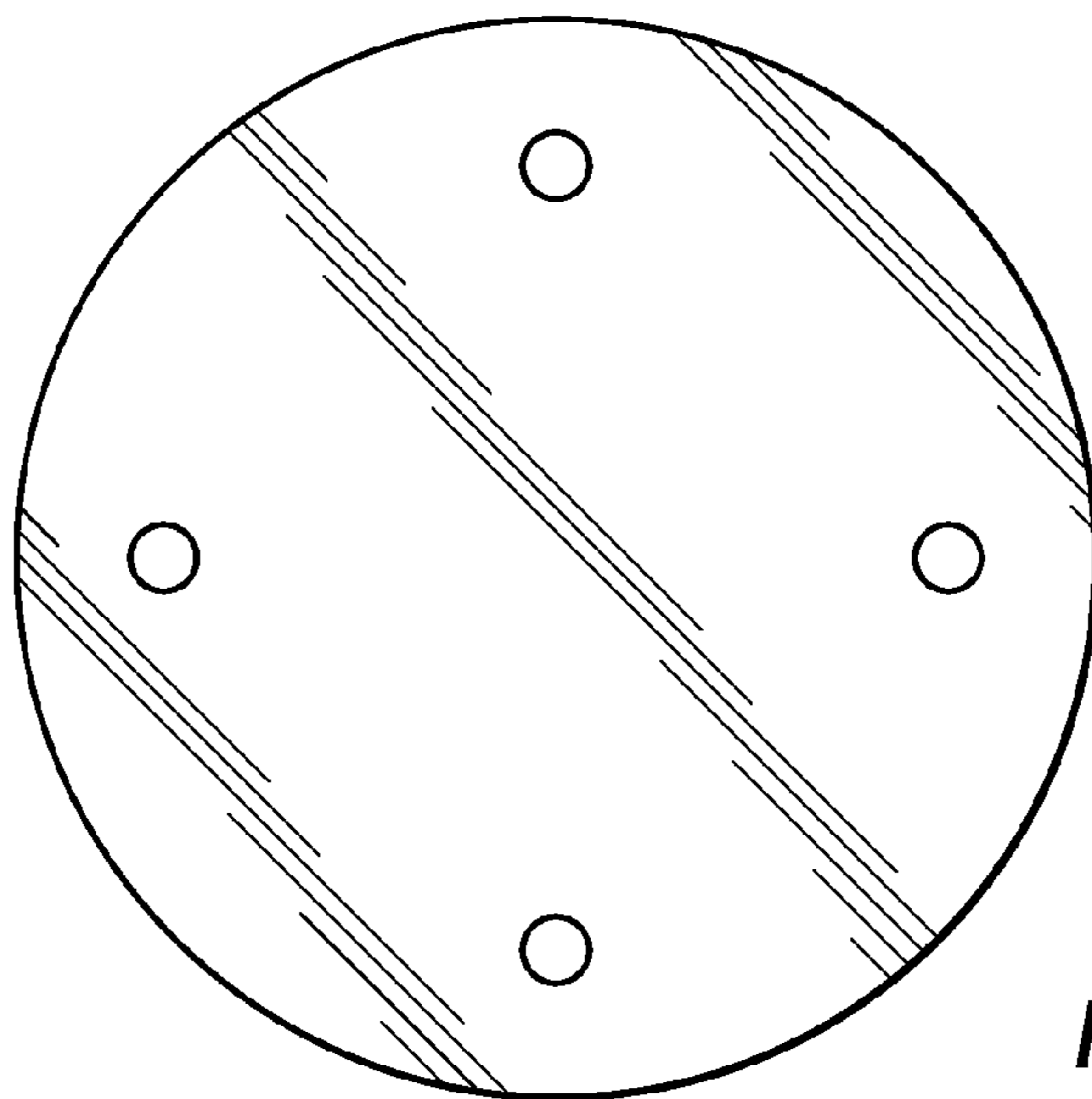


Figure 6

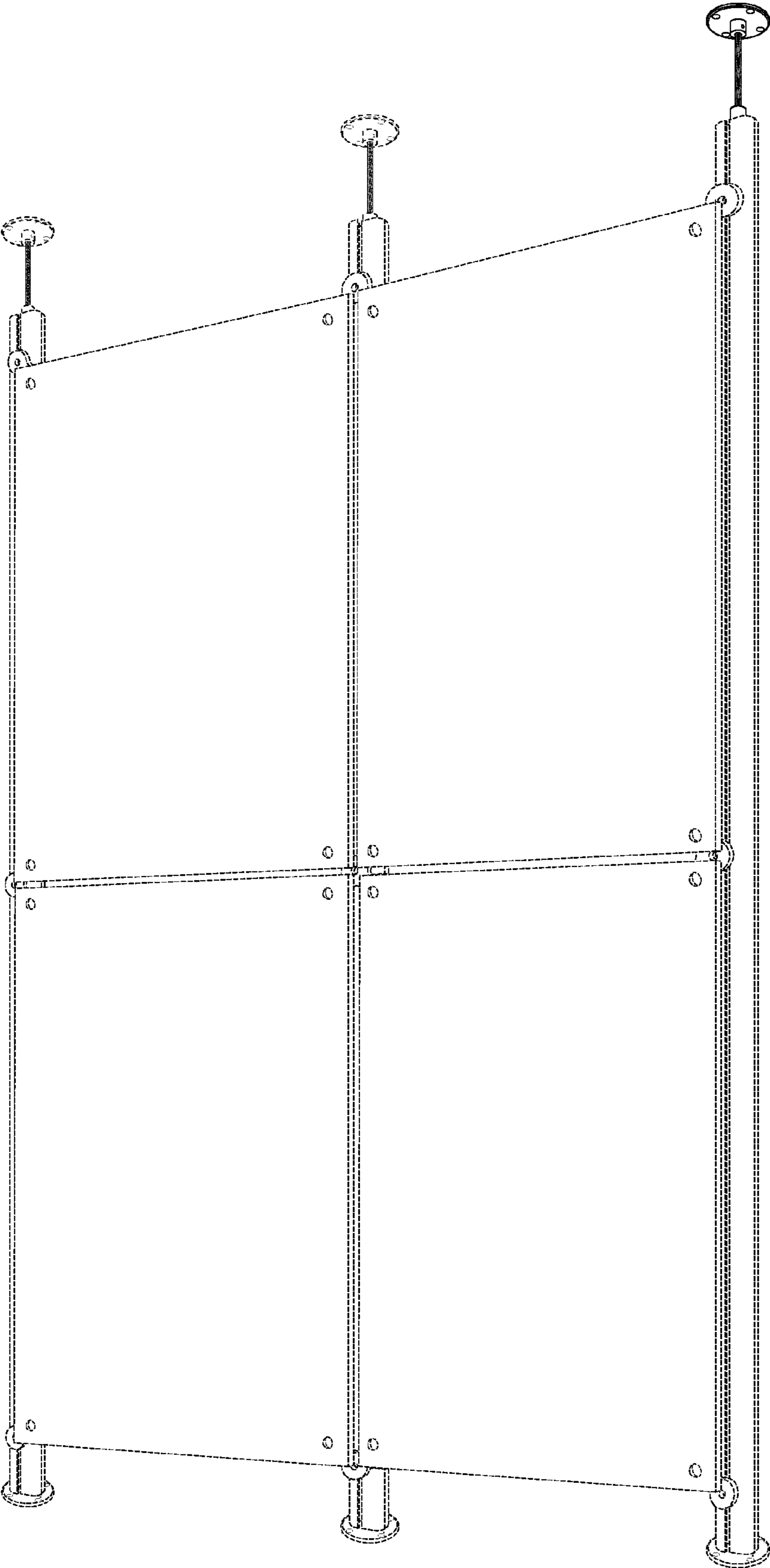


Figure 7