



US00D634167S

(12) **United States Design Patent**  
**Foster**

(10) **Patent No.:** **US D634,167 S**  
(45) **Date of Patent:** **\*\* Mar. 15, 2011**

(54) **FUNNEL WITH SELF SUPPORTING LEGS**

(76) Inventor: **Edward R. Foster**, Roscoe, IL (US)

(\*\*) Term: **14 Years**

(21) Appl. No.: **29/354,412**

(22) Filed: **Jan. 22, 2010**

(51) **LOC (9) Cl.** ..... **07-99**

(52) **U.S. Cl.** ..... **D7/700**

(58) **Field of Classification Search** ..... D7/700,  
D7/400, 368, 669; 141/95, 98, 297-300,  
141/331-345

See application file for complete search history.

(56) **References Cited**

**U.S. PATENT DOCUMENTS**

D15,651 S	12/1884	Gill	
1,050,028 A	1/1913	Jarrall	
1,927,192 A *	9/1933	Werner	241/85
D147,737 S	10/1947	Stone	
D153,202 S *	3/1949	Beller	D7/700
2,835,191 A	5/1958	Clurman	
D185,115 S *	5/1959	Beerman	D7/700
2,897,970 A	8/1959	Schlumbohm	
D203,854 S	2/1966	Douglas	
3,334,574 A	8/1967	Douglas	
D229,530 S	12/1973	Simpson, Jr.	

D362,599 S *	9/1995	Hartman et al.	D7/700
D383,036 S	9/1997	Cohen	
6,035,908 A *	3/2000	Hoffmann	141/331
D499,616 S	12/2004	Sanders	
D521,329 S	5/2006	Bodum	
D524,599 S	7/2006	Bodum	
D564,832 S	3/2008	Bodum	
D577,965 S	10/2008	Blair	
2006/0054240 A1 *	3/2006	Perry	141/95

\* cited by examiner

*Primary Examiner* — Terry A Wallace

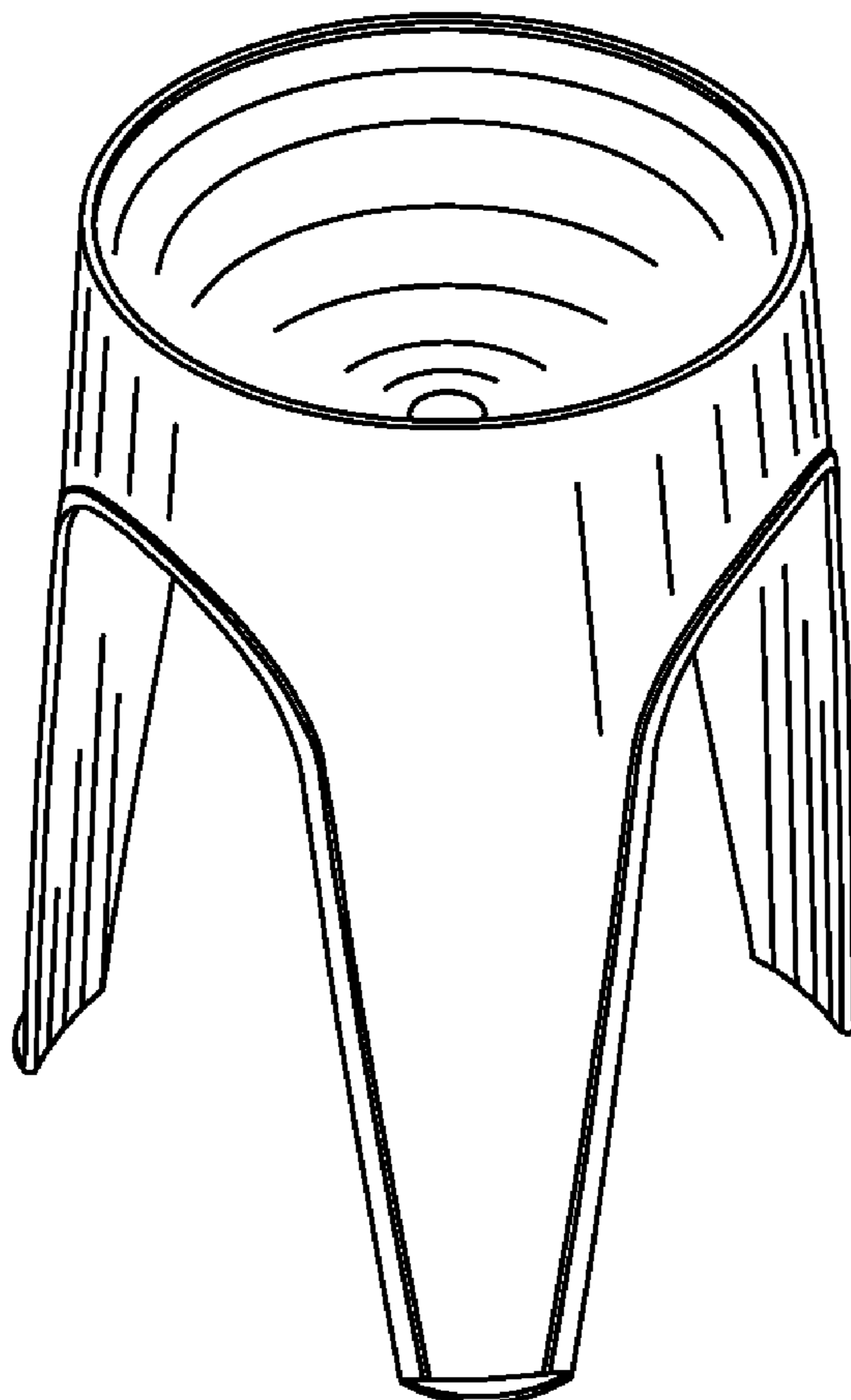
(57) **CLAIM**

The ornamental design for a funnel with self supporting legs, as shown and described.

**DESCRIPTION**

FIG. 1 is a perspective view of a funnel with self supporting legs, showing the new design;  
FIG. 2 is a front elevational view thereof;  
FIG. 3 is a rear elevational view thereof;  
FIG. 4 is a left-side elevational view thereof, the right-side elevational view being a mirror image thereof;  
FIG. 5 is a top plan view thereof;  
FIG. 6 is a bottom plan view thereof; and,  
FIG. 7 is a cross-sectional view thereof, taken generally along lines 7—7 of FIG. 5.

**1 Claim, 2 Drawing Sheets**



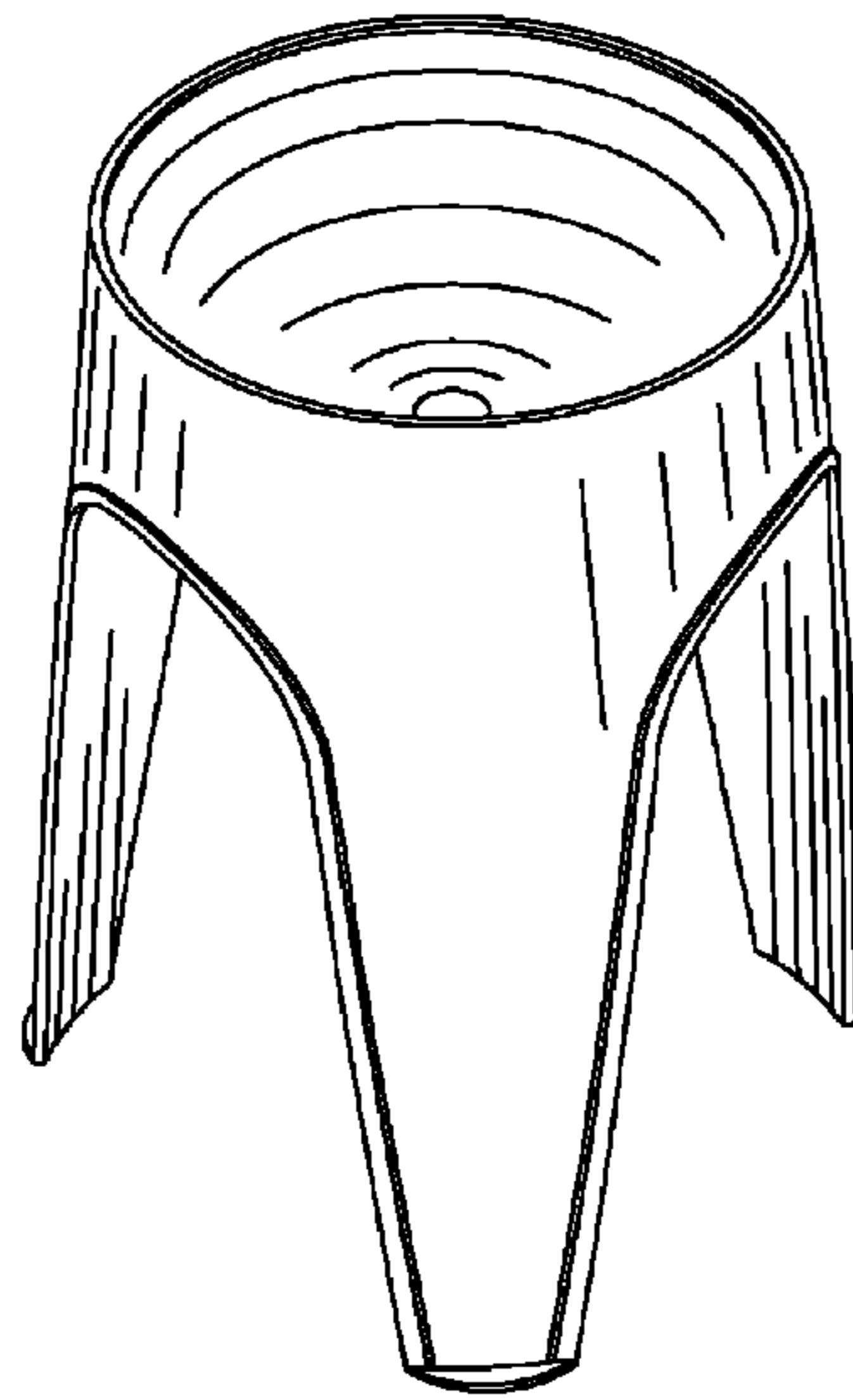


FIG. 1

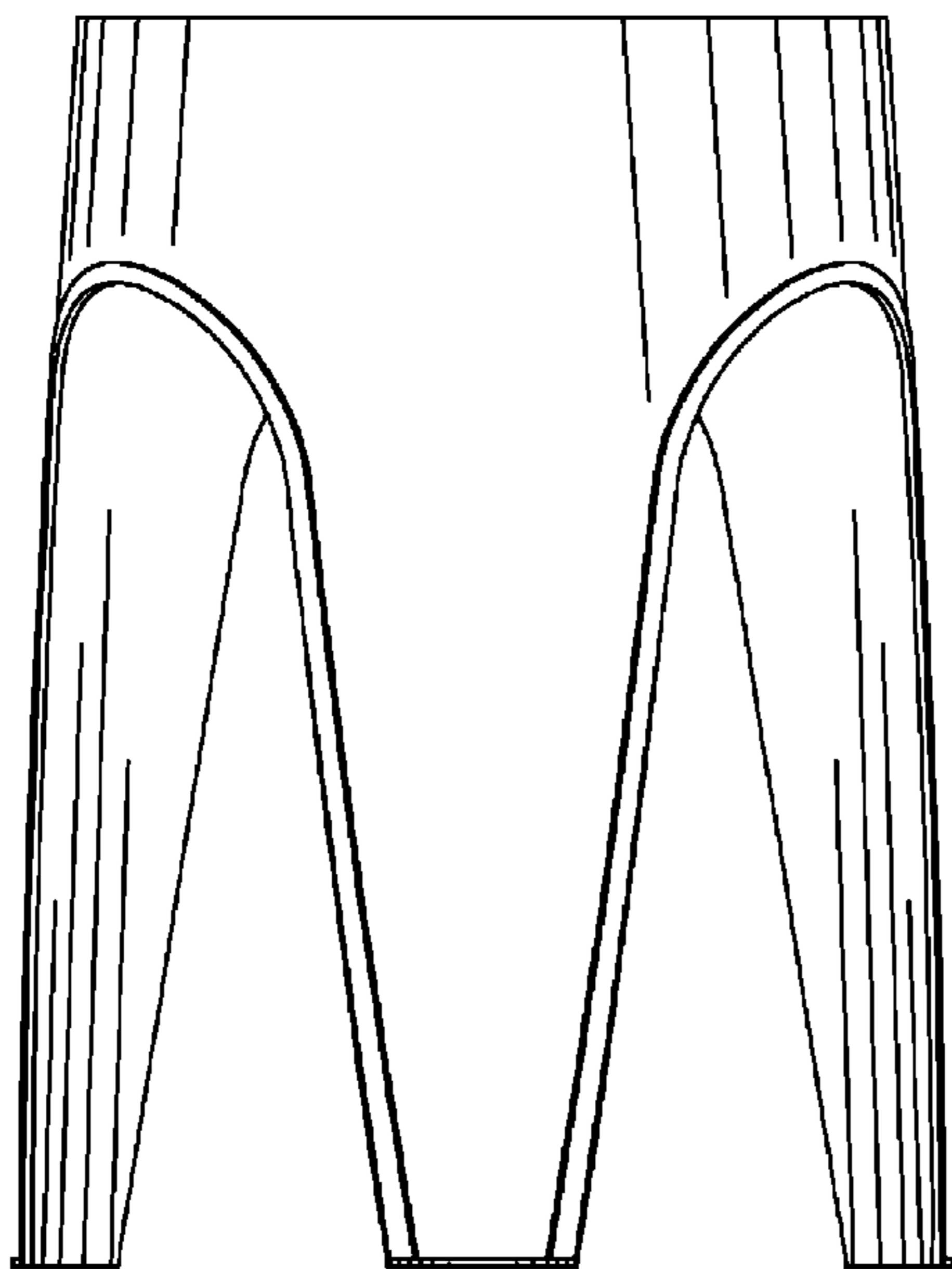


FIG. 2

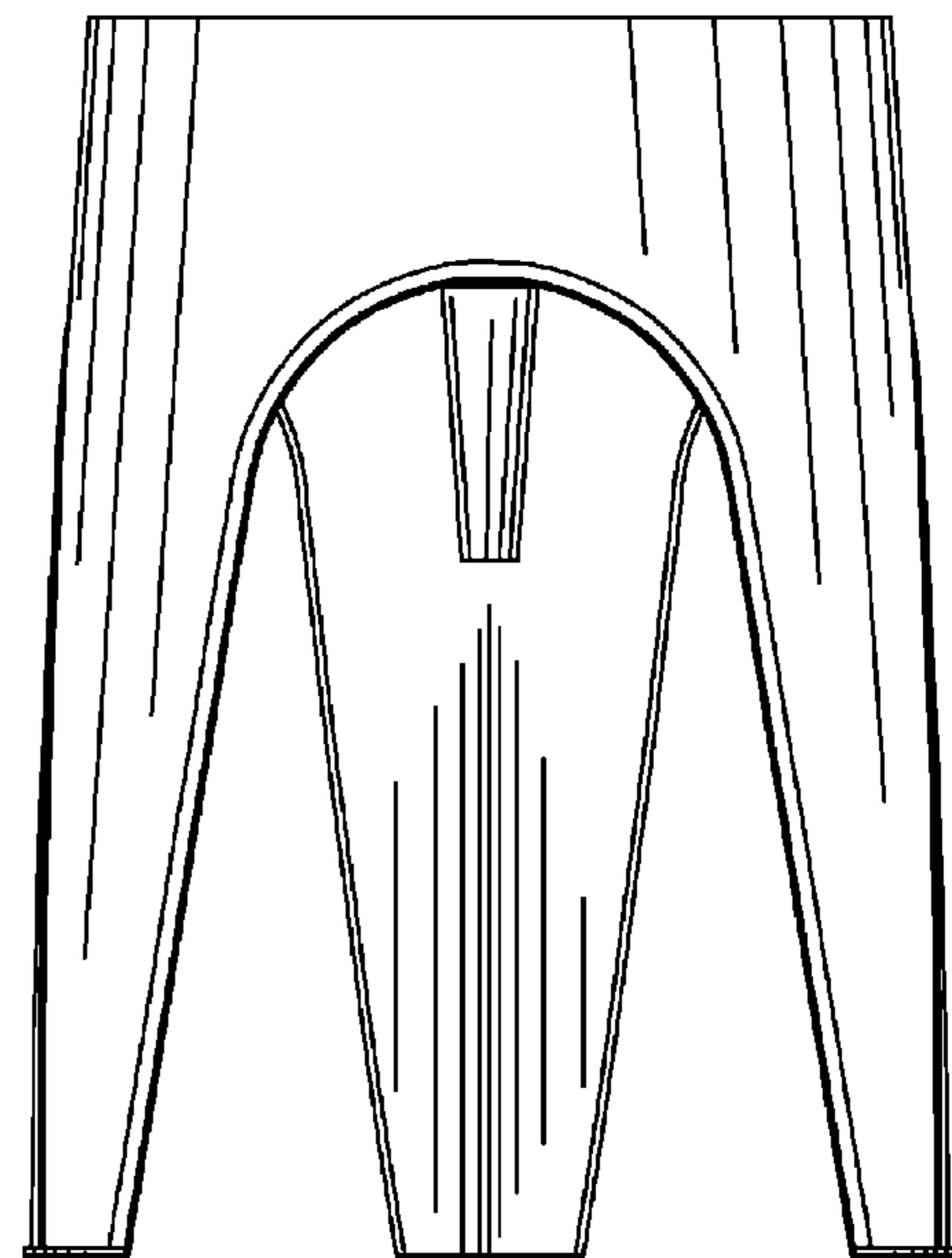


FIG. 3

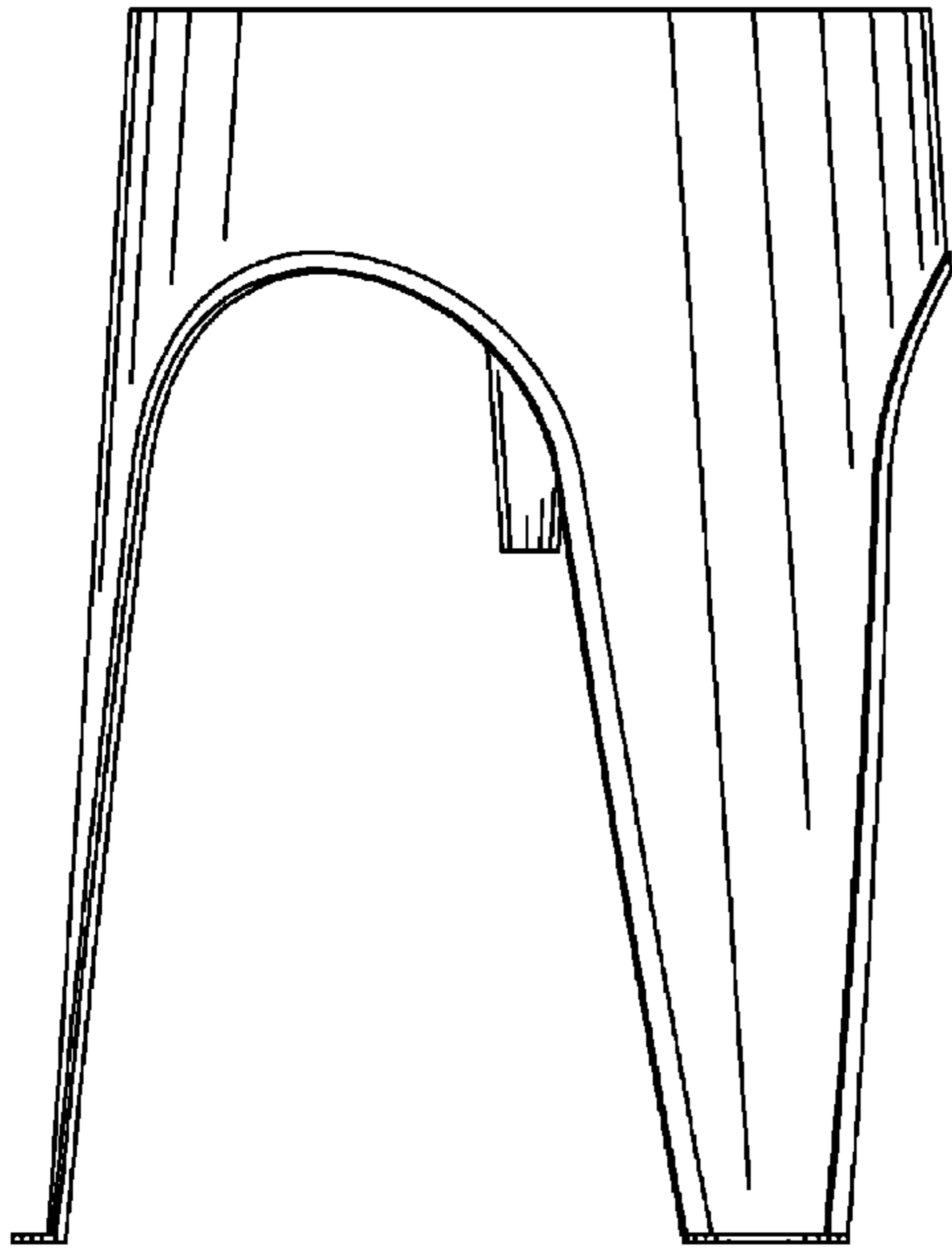


FIG. 4

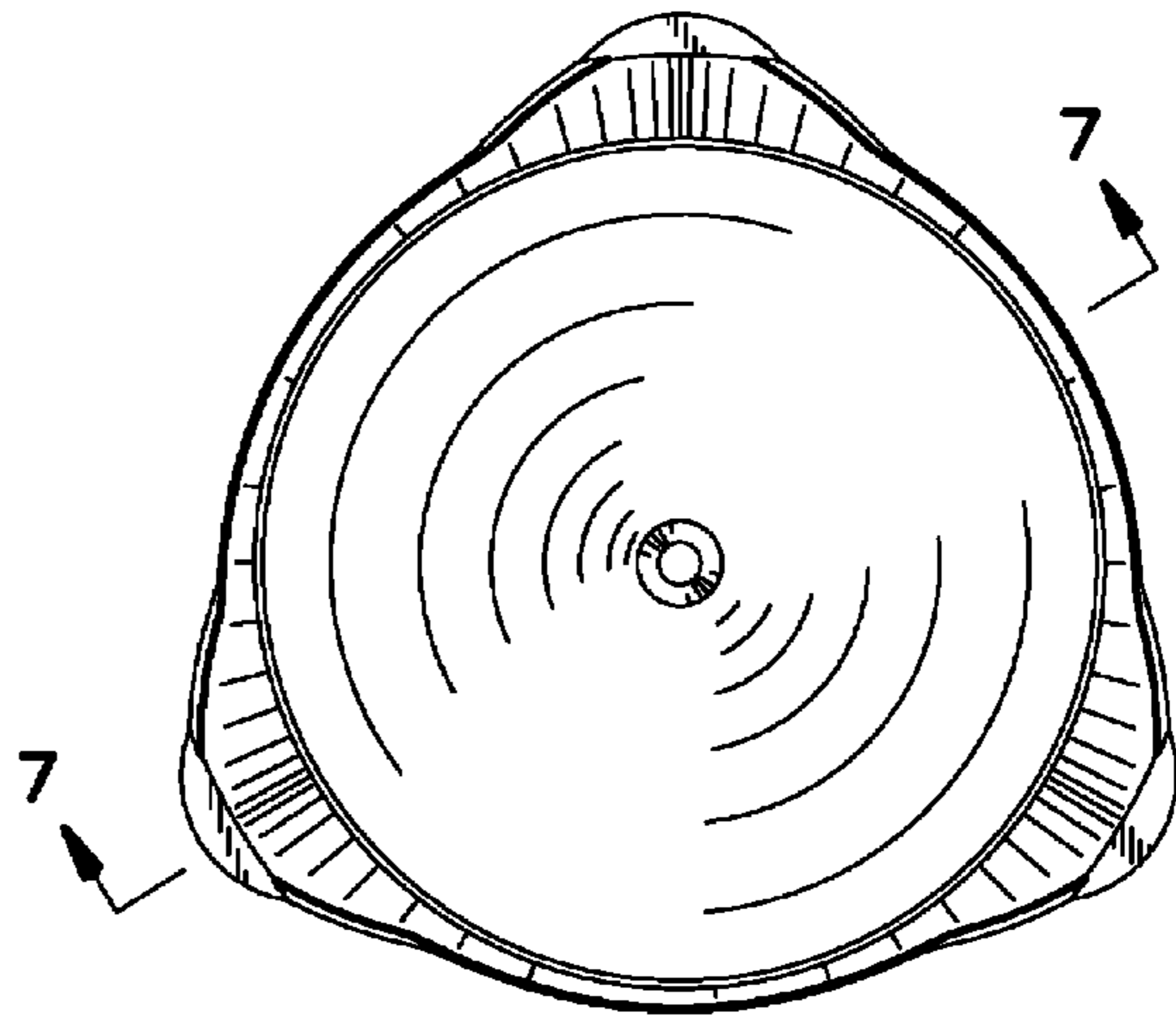


FIG. 5

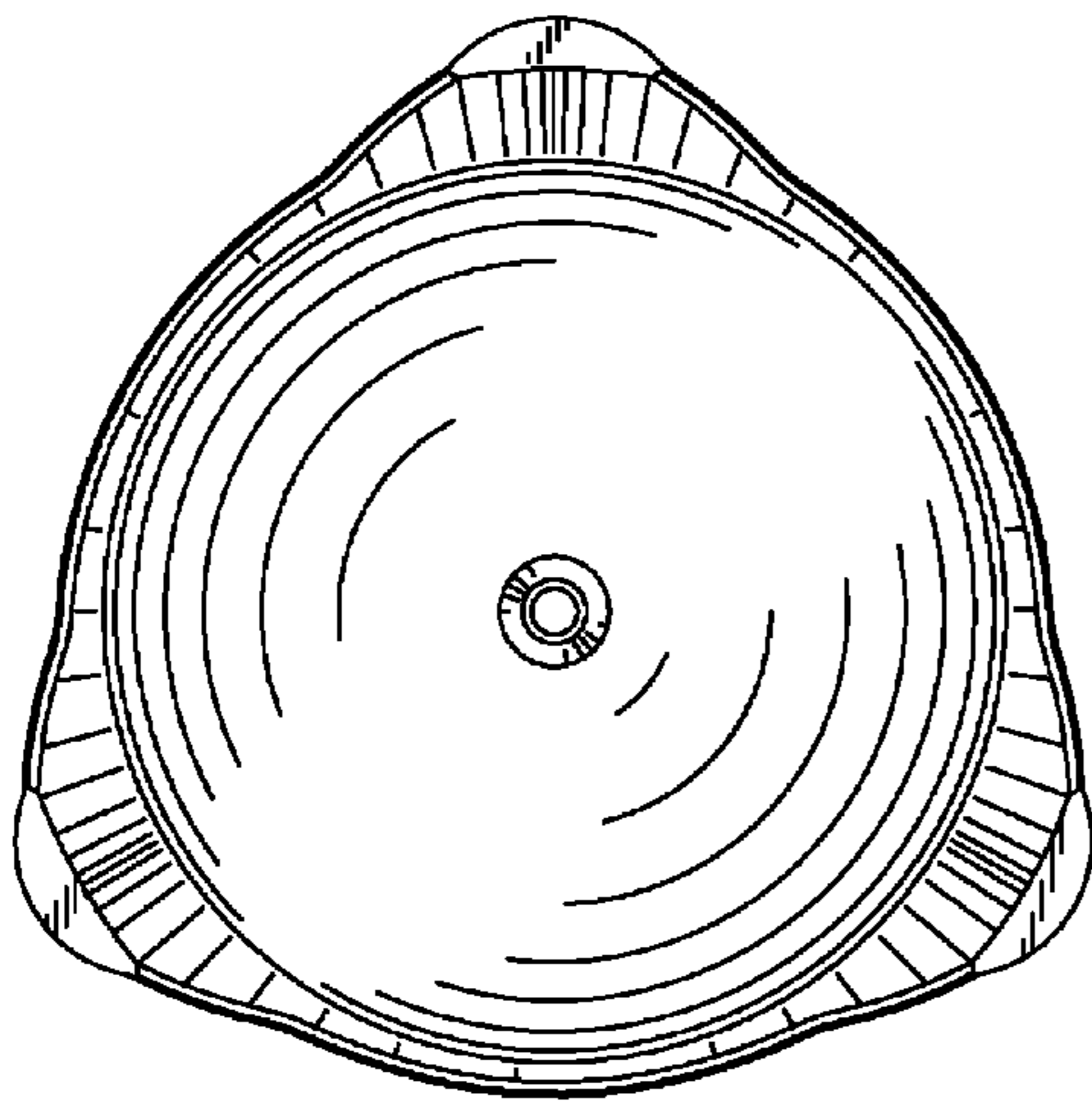


FIG. 6

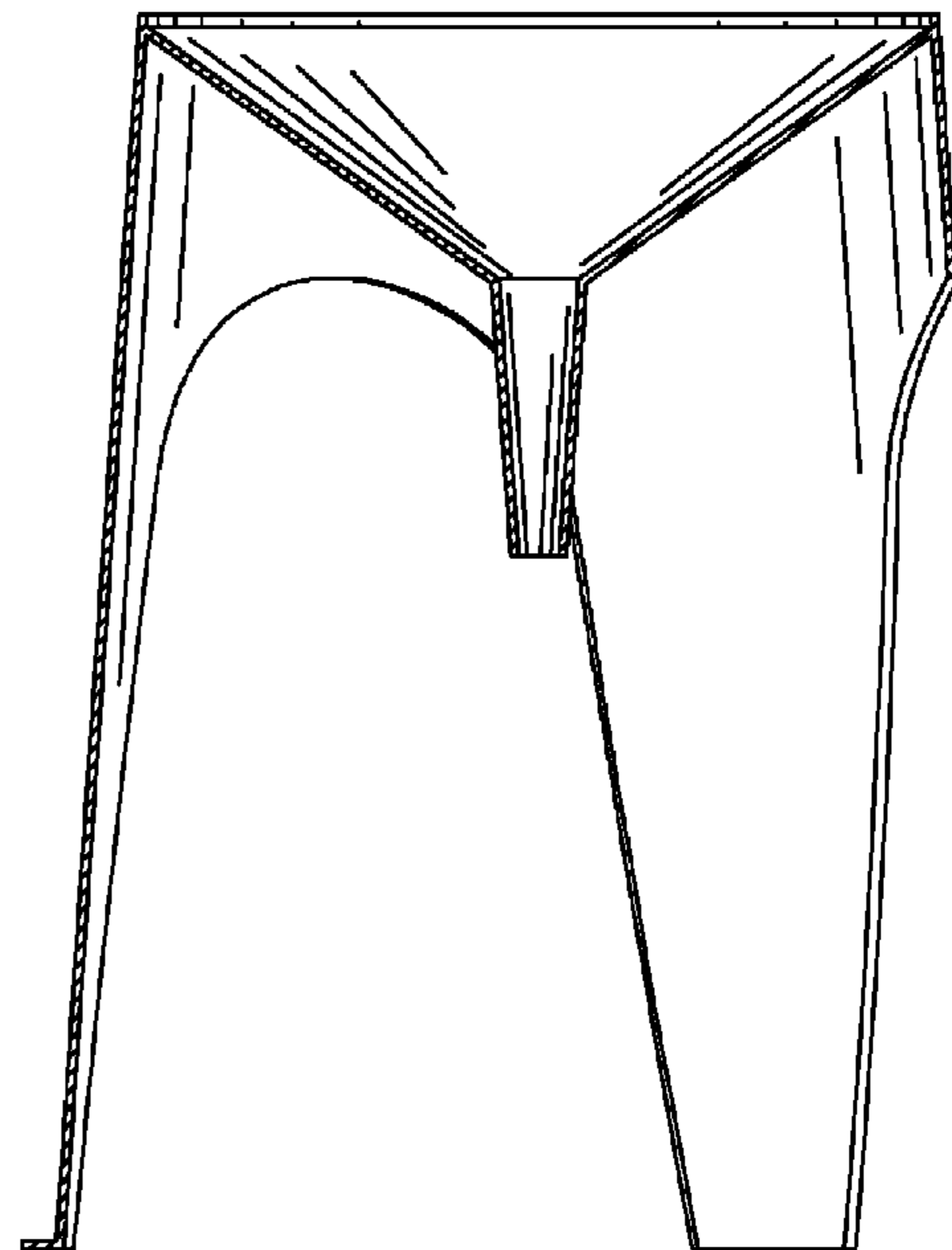


FIG. 7