



US00D634160S

(12) **United States Design Patent**  
**Cetera**

(10) **Patent No.:** **US D634,160 S**

(45) **Date of Patent:** **\*\* Mar. 15, 2011**

(54) **MUG**

(75) **Inventor:** **Carl Cetera**, Westfield, NJ (US)

(73) **Assignee:** **Cotapaxi Custom Design and Manufacturing LLC**, Carlstadt, NJ (US)

(\*\*) **Term:** **14 Years**

(21) **Appl. No.:** **29/349,916**

(22) **Filed:** **May 18, 2010**

(51) **LOC (9) Cl.** ..... **07-01**

(52) **U.S. Cl.** ..... **D7/510; D7/511; D7/531; D7/532**

(58) **Field of Classification Search** ..... **D7/510, D7/509, 511, 523, 392.1, 300.1, 531, 532; 220/714, 713, 662; 215/309**

See application file for complete search history.

(56) **References Cited**

**U.S. PATENT DOCUMENTS**

2,754,866 A \* 7/1956 Coltman, Jr. .... 220/254.3  
D345,673 S \* 4/1994 Dark ..... D7/392.1  
D410,174 S \* 5/1999 Sheu ..... D7/510  
D450,535 S \* 11/2001 McDonough et al. .... D7/510

D513,916 S \* 1/2006 Namee ..... D7/300.1  
7,204,386 B2 \* 4/2007 Hakim ..... 220/714  
D580,277 S \* 11/2008 Brady et al. .... D10/32  
D591,106 S \* 4/2009 Dominique et al. .... D7/507  
7,789,263 B2 \* 9/2010 Hakim ..... 220/714

\* cited by examiner

*Primary Examiner* — Marianne Pandozzi

(74) *Attorney, Agent, or Firm* — Steven E. Shapiro

(57) **CLAIM**

The ornamental design for a mug, as shown and described.

**DESCRIPTION**

FIG. 1 is a left-top perspective view of the mug;  
FIG. 2 is a right-top perspective view of the mug;  
FIG. 3 is a right-bottom perspective view of the mug;  
FIG. 4 is a frontal view of the mug;  
FIG. 5 is a right side view of the mug;  
FIG. 6 is a left side view of the mug;  
FIG. 7 is a rear view of the mug;  
FIG. 8 is an enlarged top plan view thereof; and,  
FIG. 9 is an enlarged bottom plan view.

**1 Claim, 9 Drawing Sheets**

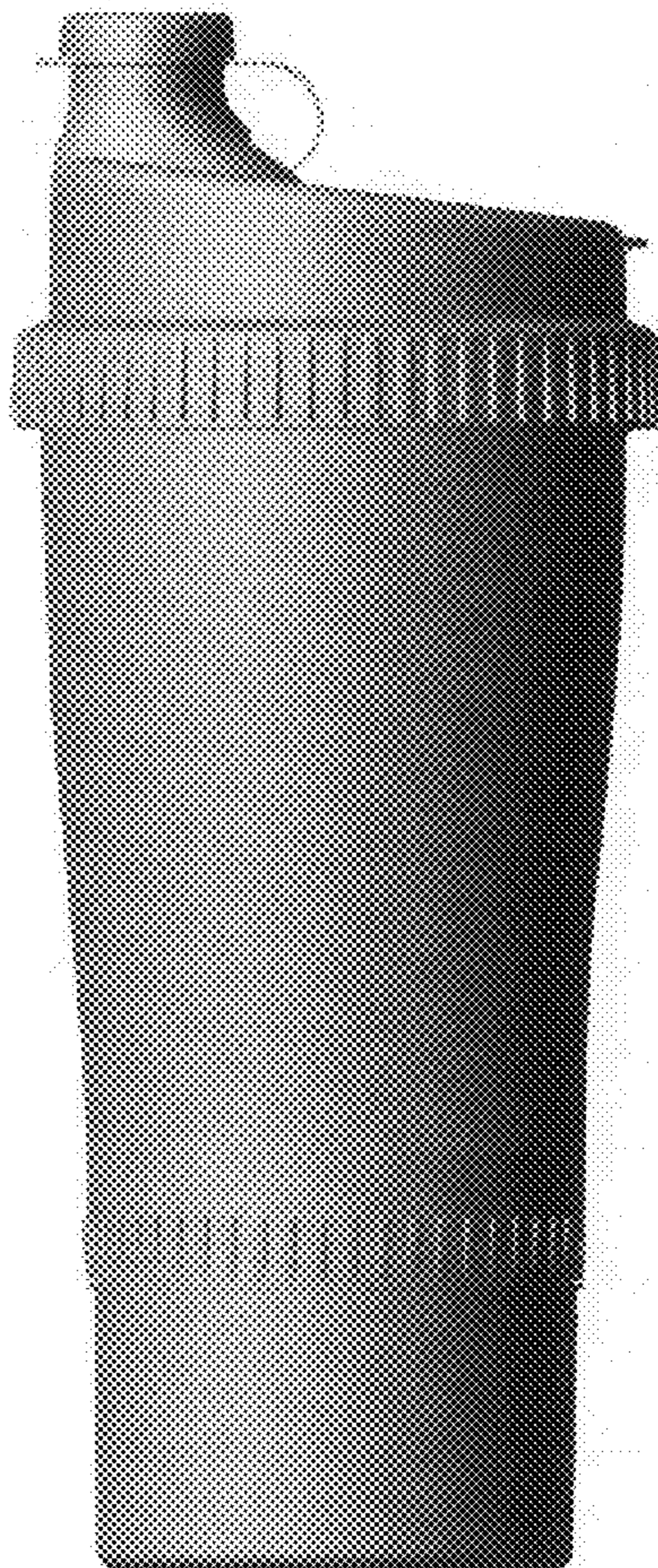




FIG. 1

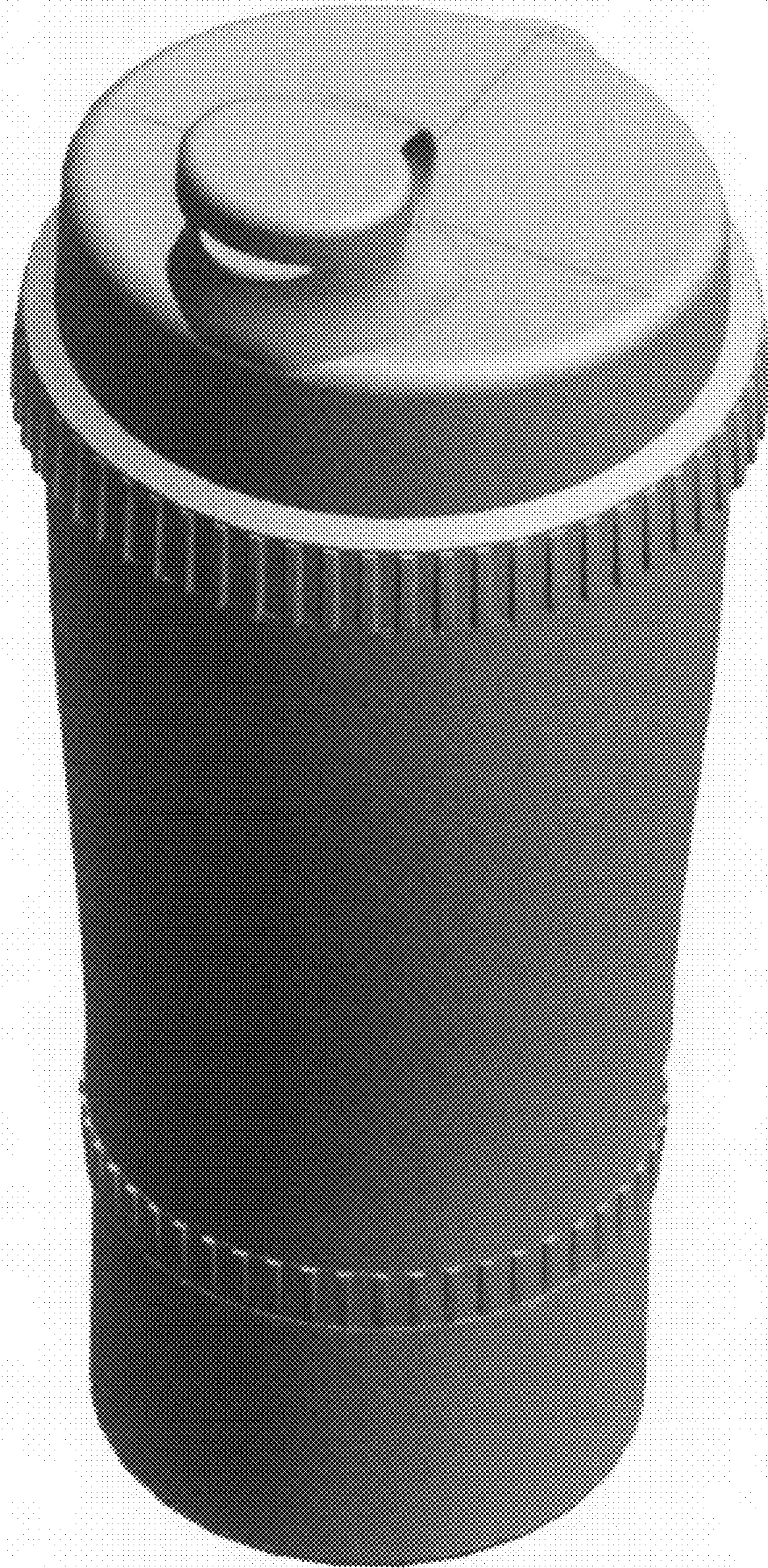


FIG. 2

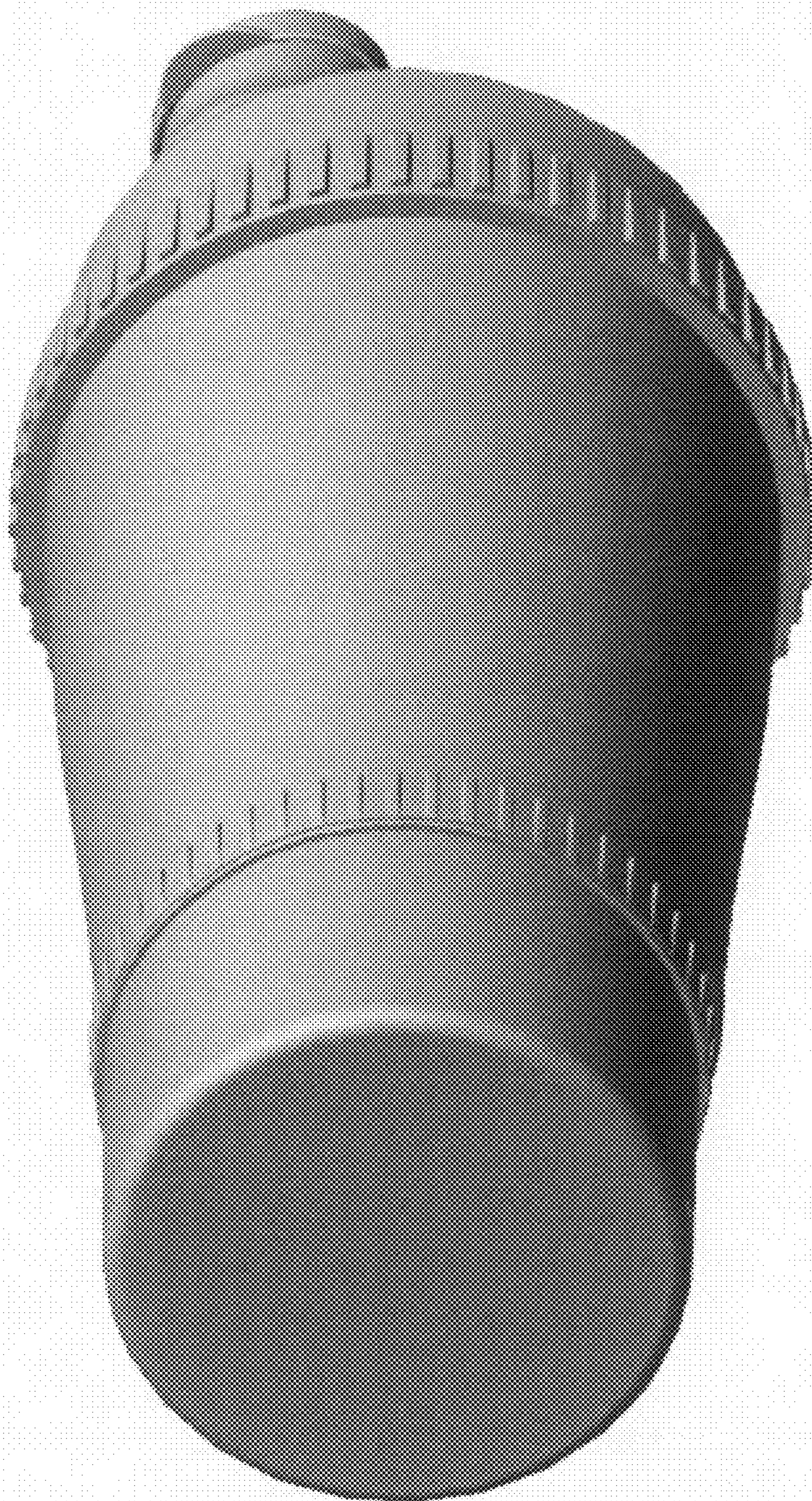


FIG. 3

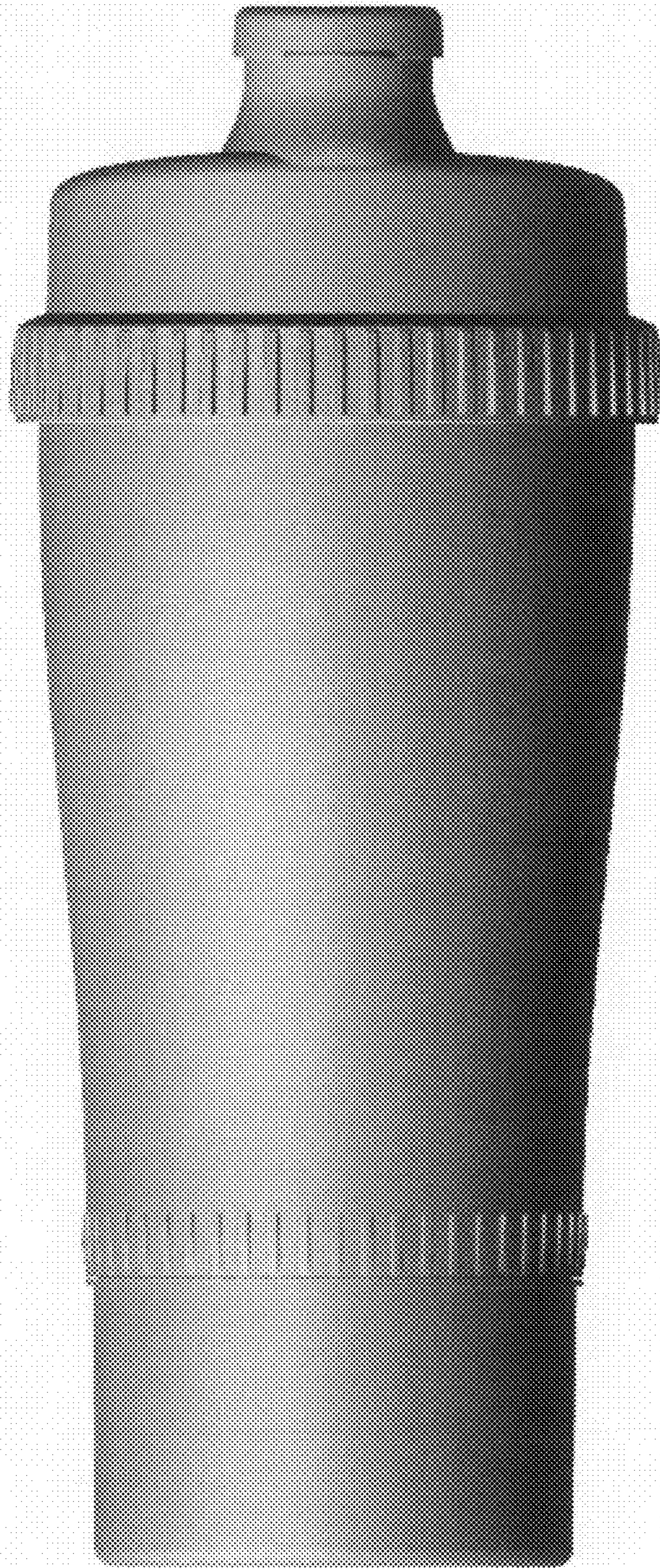


FIG. 4

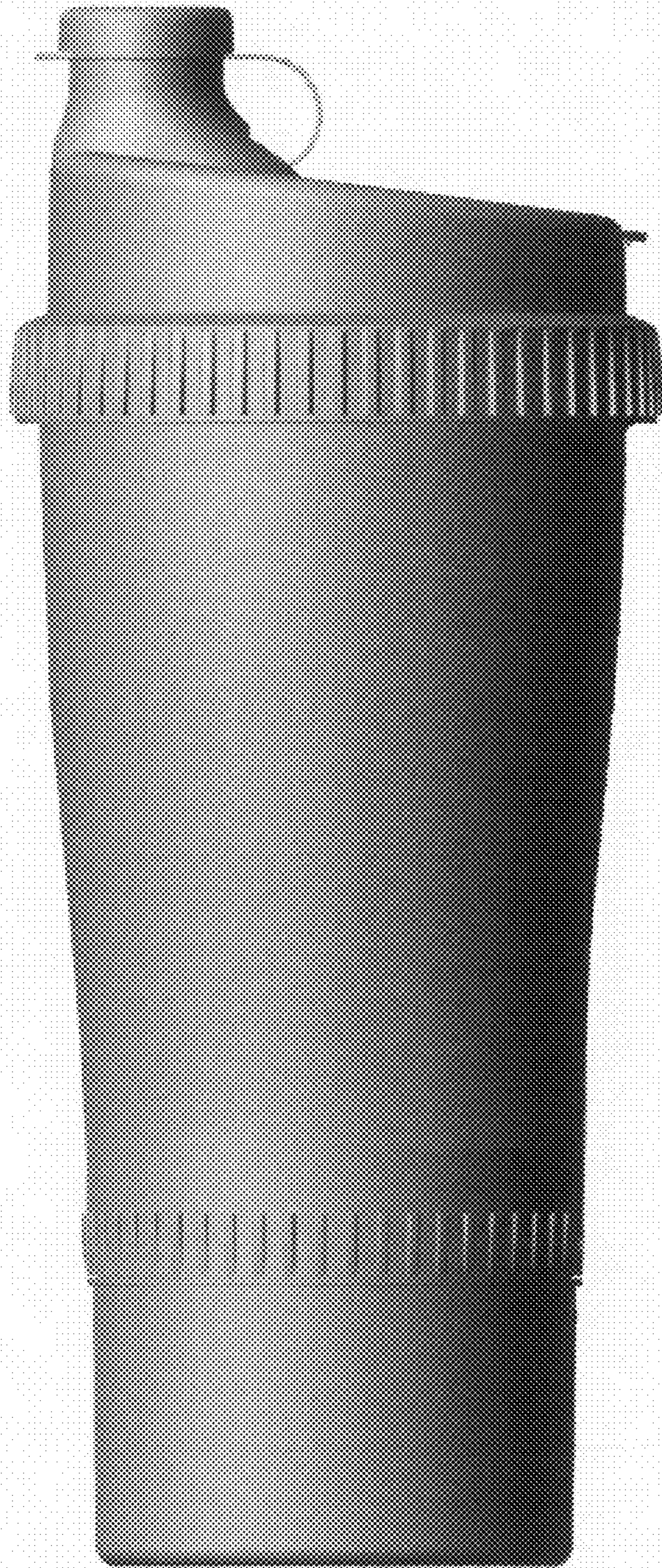


FIG. 5

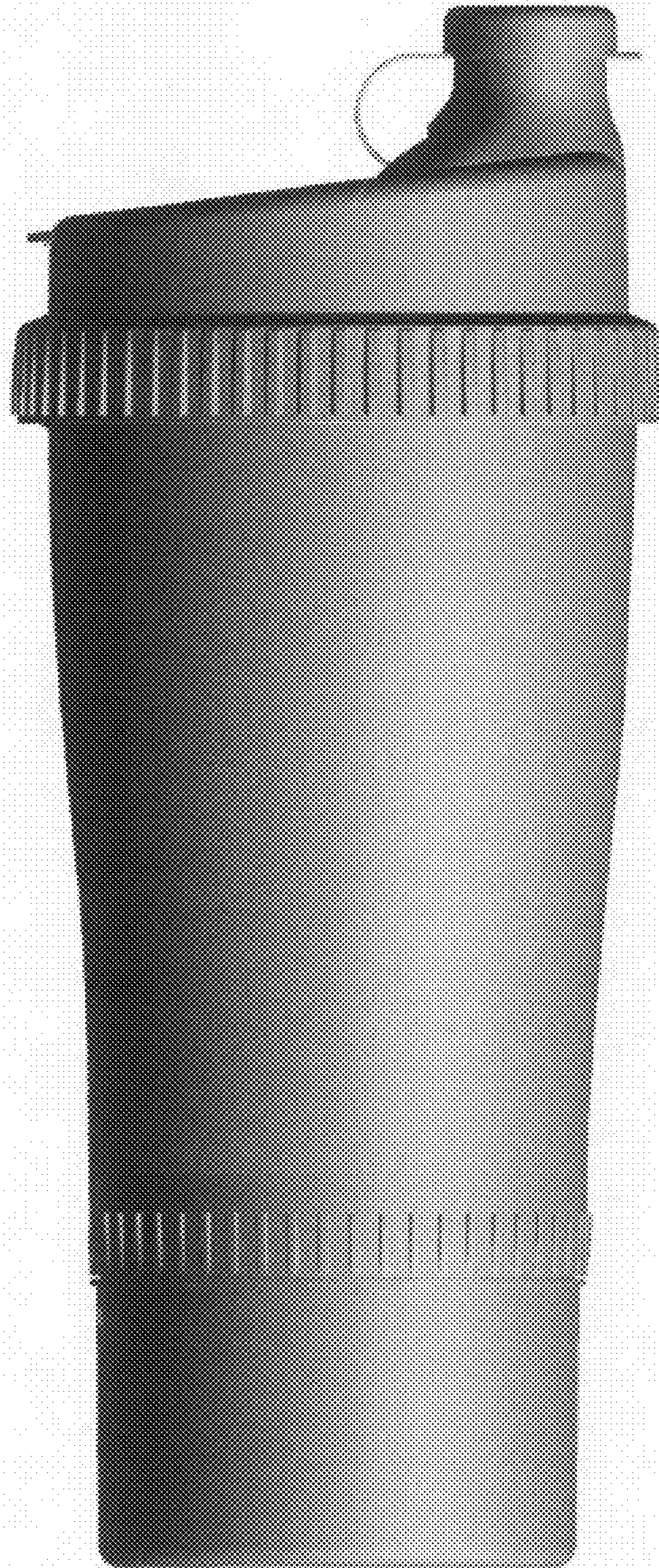


FIG. 6

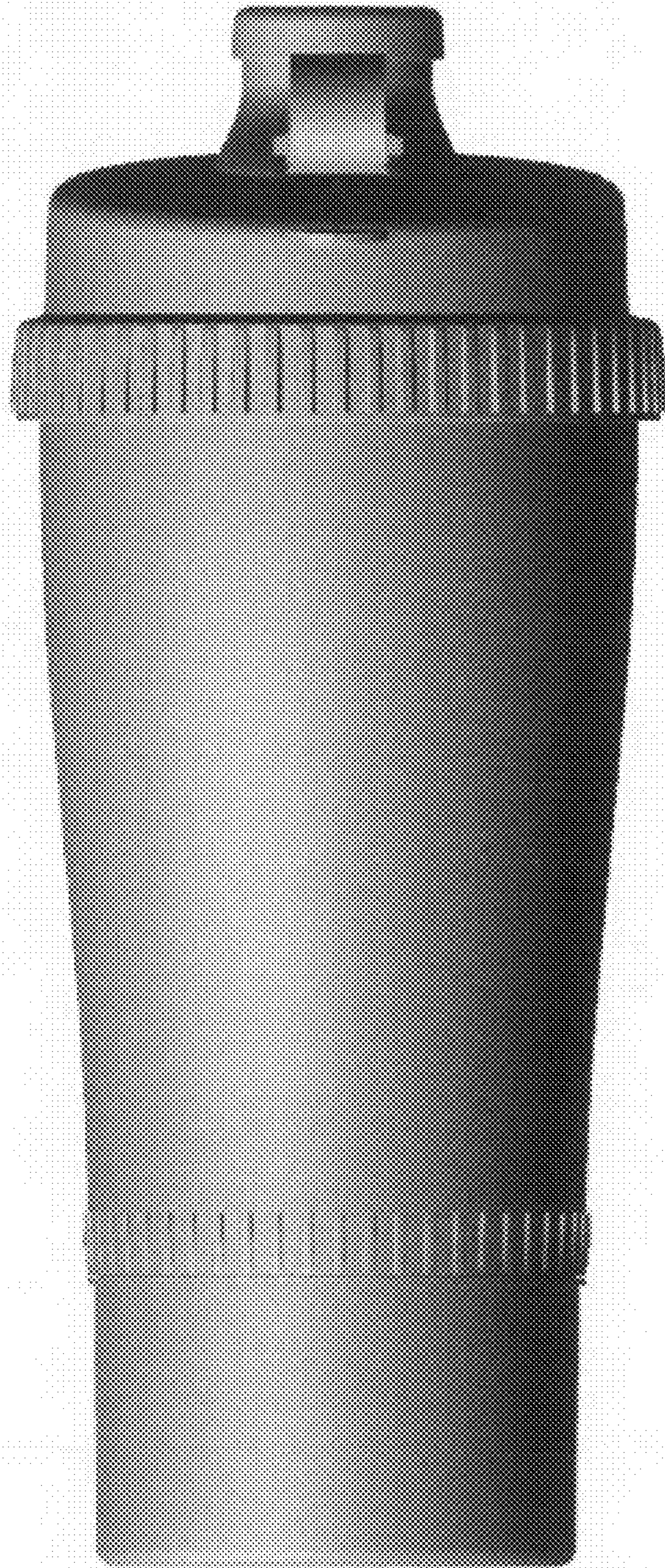


FIG. 7



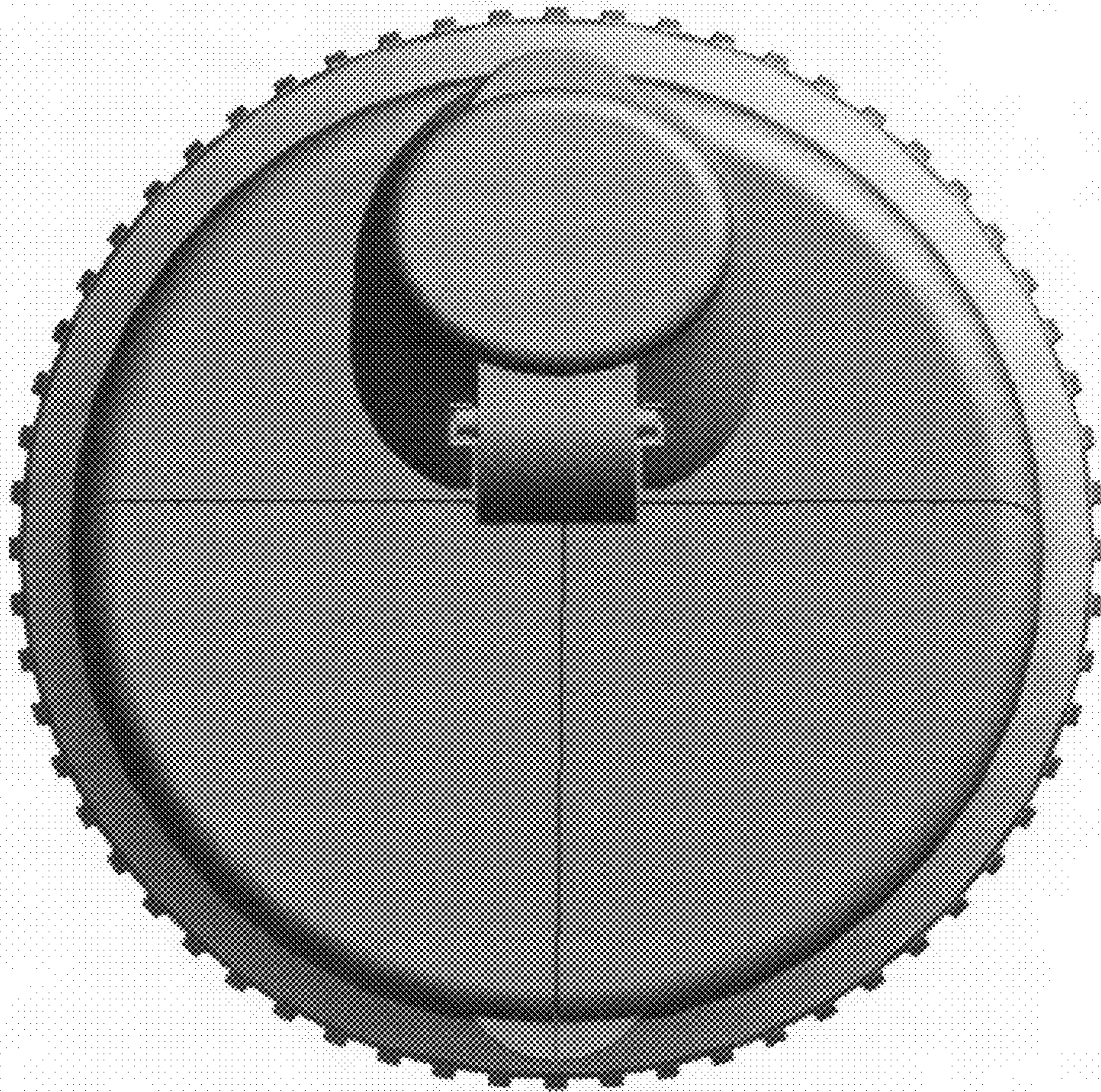


FIG. 8

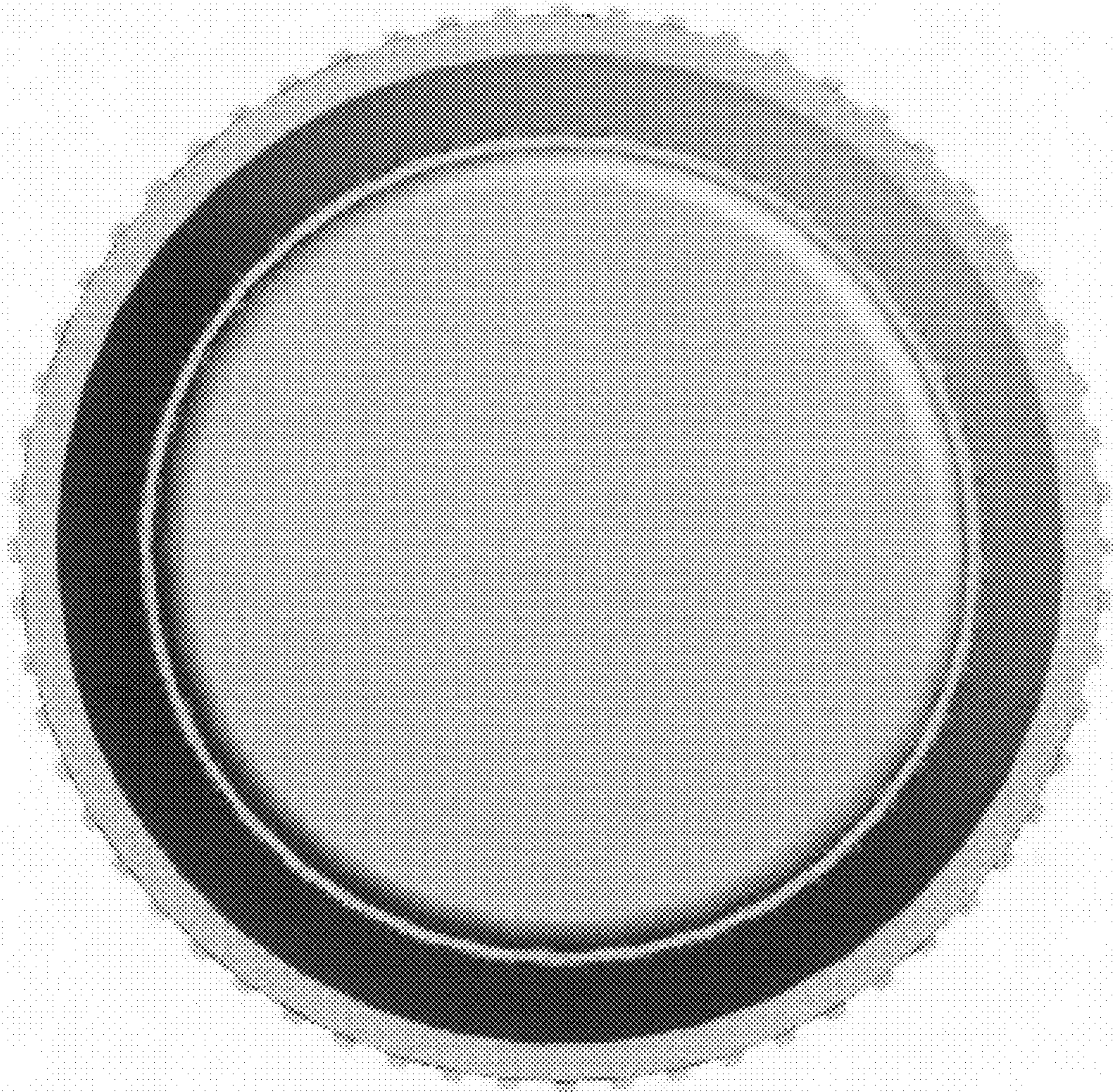


FIG. 9