



US00D634157S

(12) **United States Design Patent**  
**Hoff et al.**

(10) **Patent No.:** **US D634,157 S**  
(45) **Date of Patent:** **\*\* Mar. 15, 2011**

(54) **HANDLE FOR COOKING VESSEL LID**  
(75) Inventors: **Susan K. Hoff**, Belmont, MI (US); **Steve O. Mork**, Lowell, MI (US); **Mark C. Smith**, Rockford, MI (US)

(73) Assignee: **Access Business Group International LLC**, Ada, MI (US)

(\*\*) Term: **14 Years**

(21) Appl. No.: **29/365,255**

(22) Filed: **Jul. 7, 2010**

(51) **LOC (9) Cl.** ..... **07-02**

(52) **U.S. Cl.** ..... **D7/393**

(58) **Field of Classification Search** ..... D7/354-361, D7/387, 391, 393, 402, 405, 406, 682; D8/107, D8/307, 300, 302, 310, 311; D23/245, 254; 16/110 R, 114 R, 118, 121, 309, 311, 312, 16/315, 320, 430, 431, 441; 74/548, 553, 74/558.5; 200/18, 61.8, 336-338, 564-570; 220/573.1-573.5, 752, 753, 755, 912; D9/439  
See application file for complete search history.

(56) **References Cited**

**U.S. PATENT DOCUMENTS**

D110,995 S \* 8/1938 Bellem, Jr. .... D8/310  
D206,522 S \* 12/1966 Stephenson et al. .... D8/307  
D261,349 S \* 10/1981 Ryser ..... D7/393  
D267,194 S \* 12/1982 Baker ..... D8/300

D284,444 S \* 7/1986 Baumgarten ..... D7/393  
D286,065 S \* 10/1986 Joeger ..... D23/245  
D287,162 S \* 12/1986 Piesco ..... D23/254  
D298,506 S \* 11/1988 Lee ..... D7/393  
D305,493 S \* 1/1990 Ryser ..... D7/391  
D348,590 S \* 7/1994 Scott ..... D7/682  
D411,707 S \* 6/1999 Horvat ..... D7/393  
D447,908 S \* 9/2001 Beck ..... D7/391  
D493,060 S \* 7/2004 Pippel et al. .... D7/393  
D560,964 S \* 2/2008 Hoff ..... D7/393  
D618,040 S 6/2010 Hoff et al.

\* cited by examiner

*Primary Examiner* — Cynthia M Chin

(74) *Attorney, Agent, or Firm* — Warner Norcross & Judd LLP

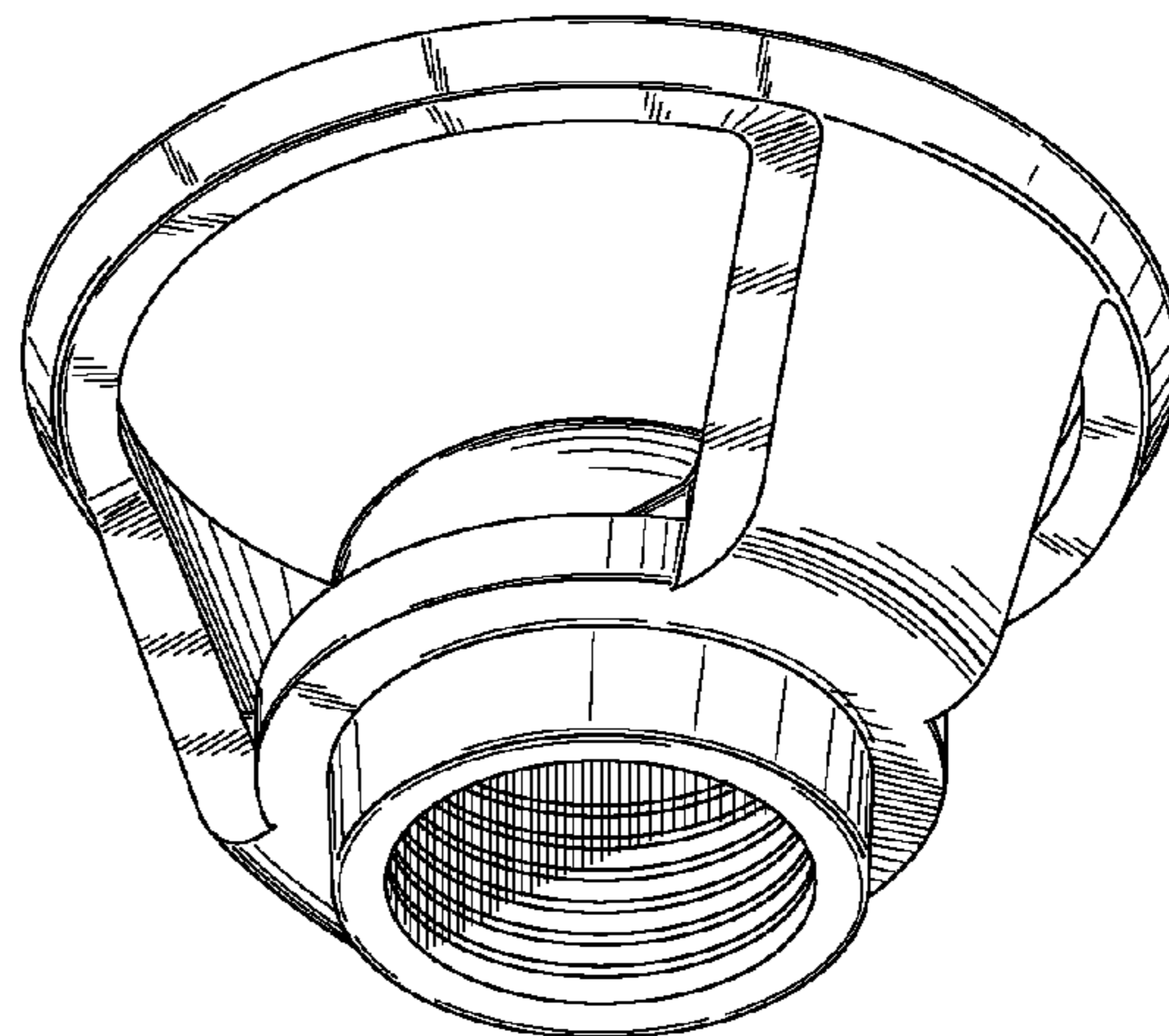
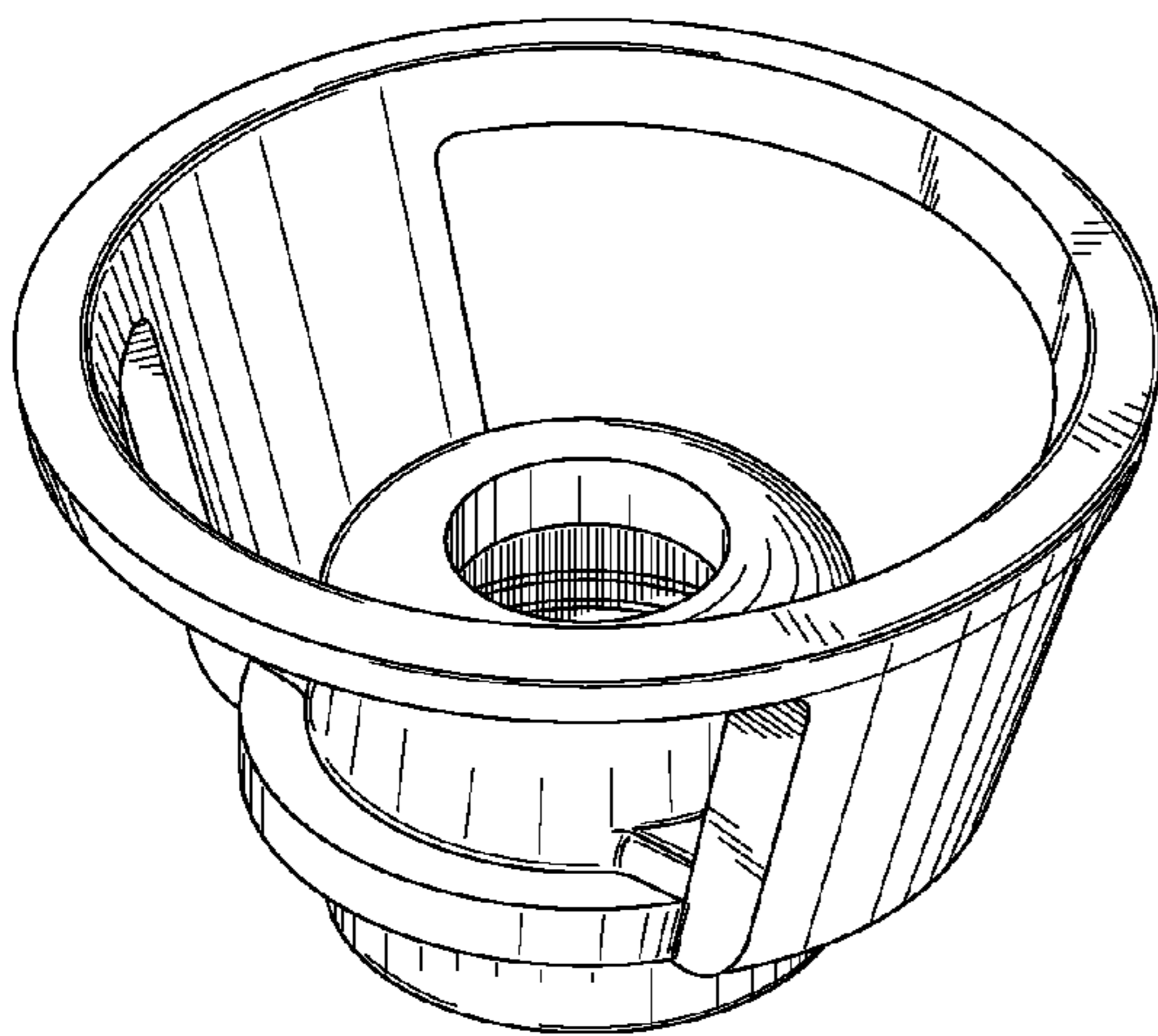
(57) **CLAIM**

The ornamental design for a handle for cooking vessel lid, as shown and described.

**DESCRIPTION**

FIG. 1 is a top perspective view of a handle for cooking vessel lid;  
FIG. 2 is a bottom perspective view thereof;  
FIG. 3 is a front view, the rear view being identical thereto;  
FIG. 4 is a right side view, the left side view being identical thereto;  
FIG. 5 is a top plan view thereof; and,  
FIG. 6 is a bottom plan view thereof.

**1 Claim, 3 Drawing Sheets**



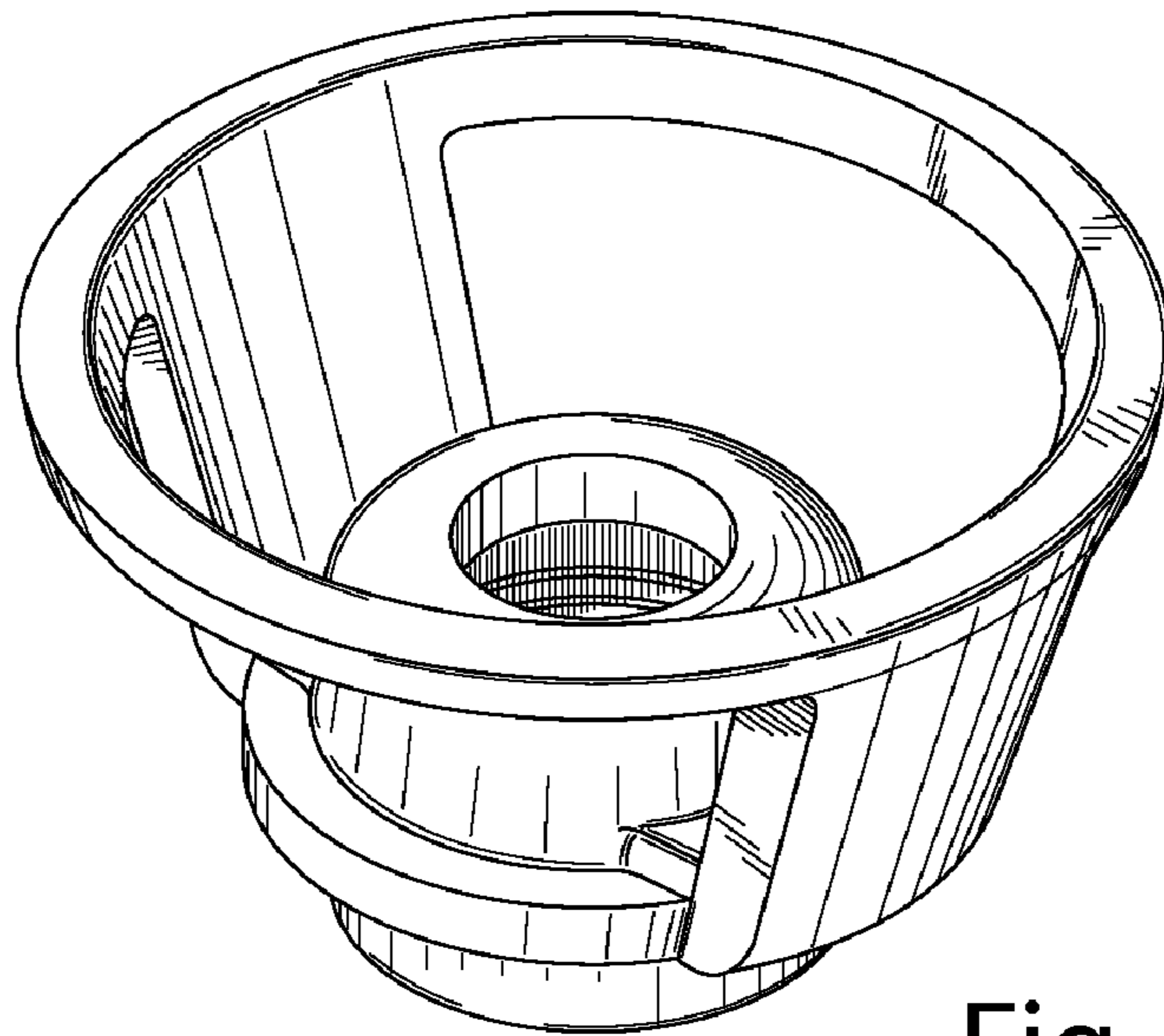


Fig. 1

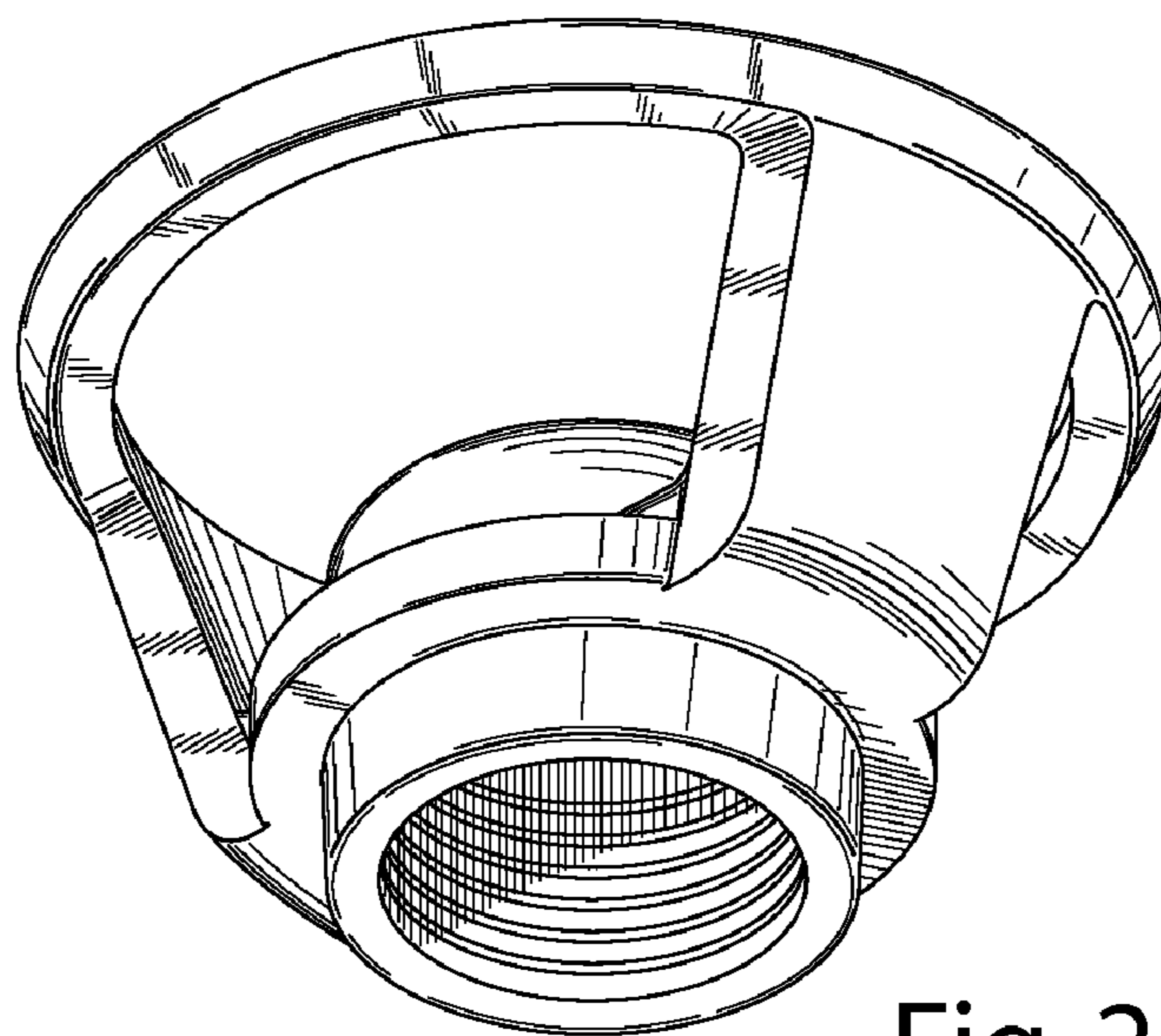


Fig. 2

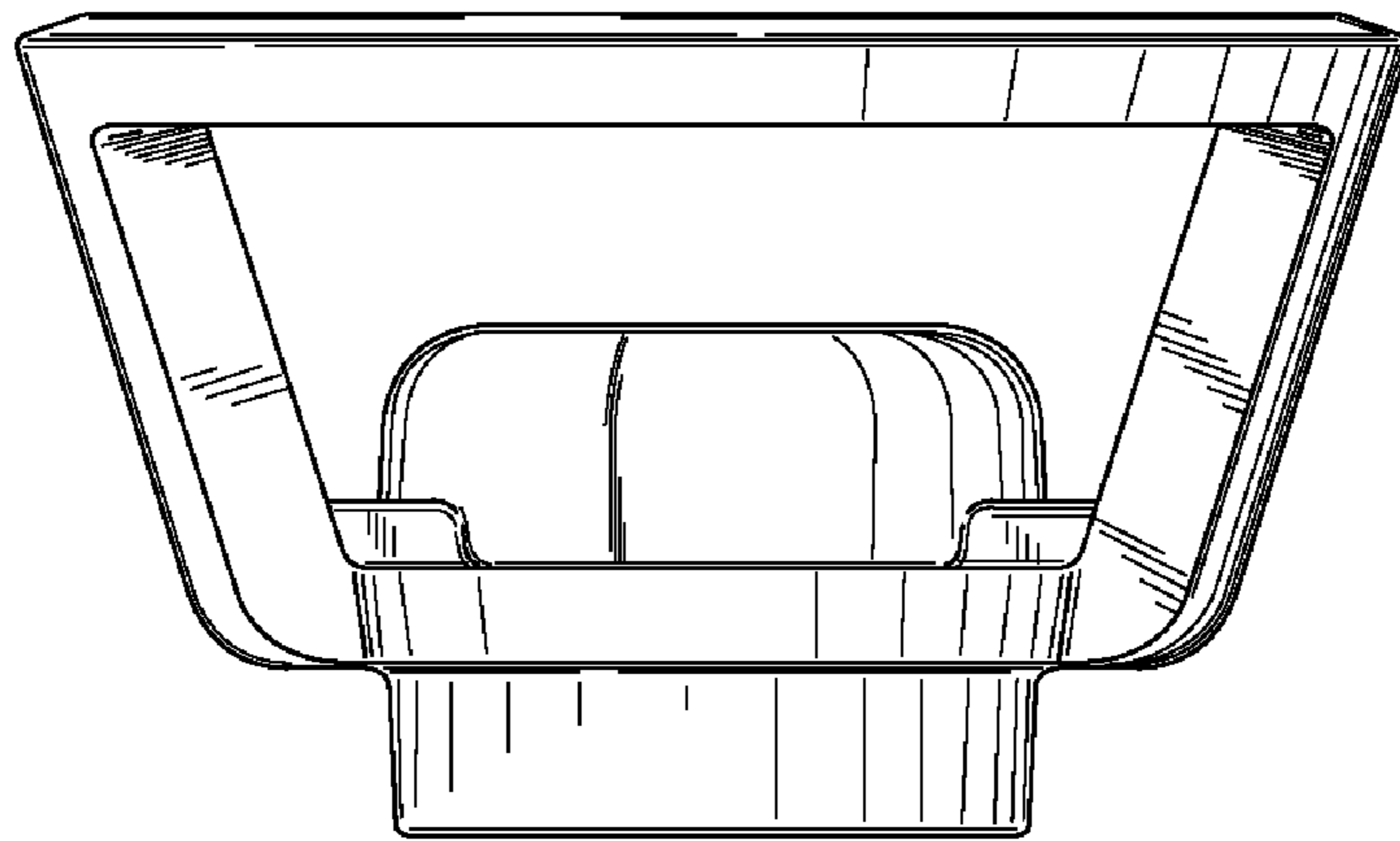


Fig. 3

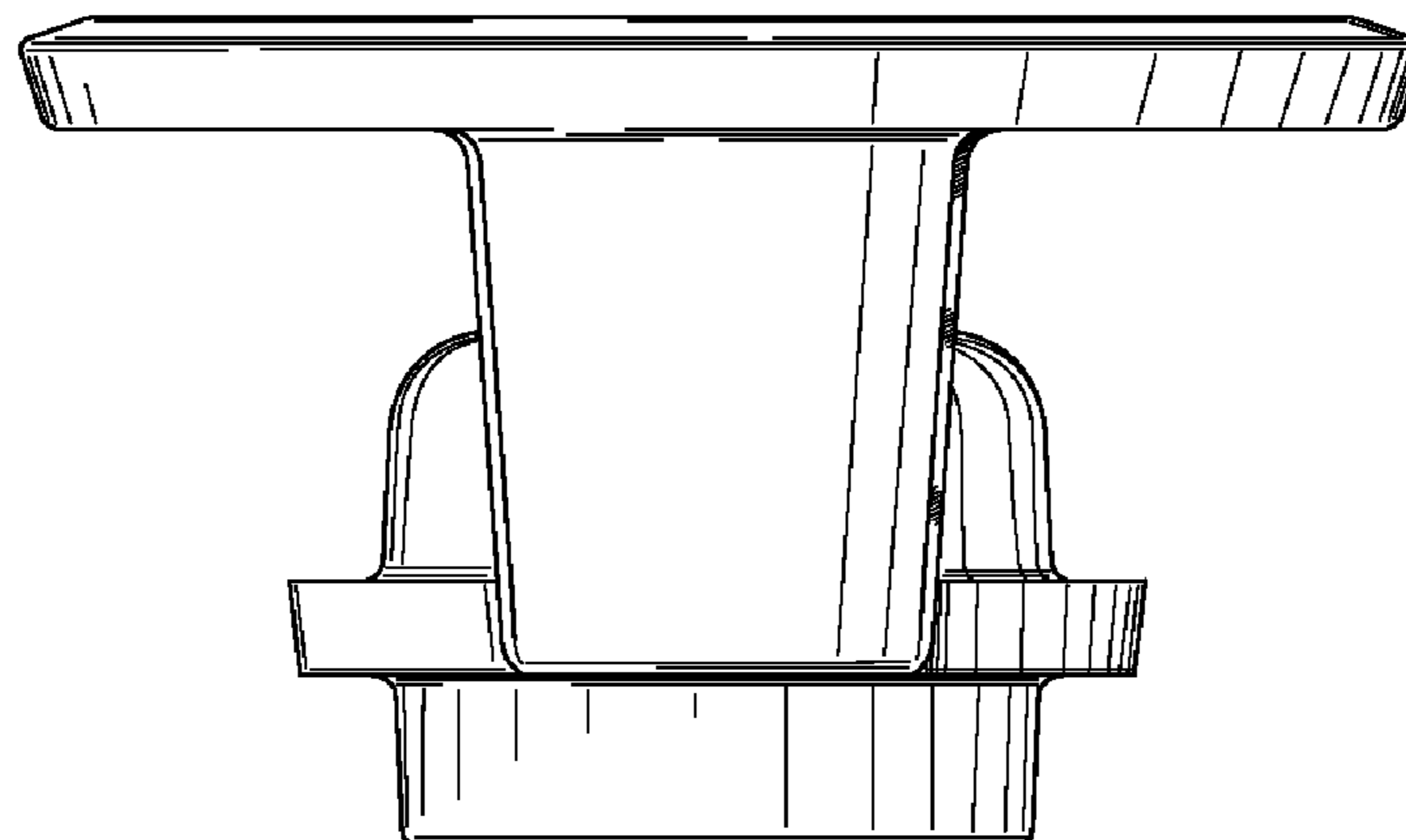


Fig. 4

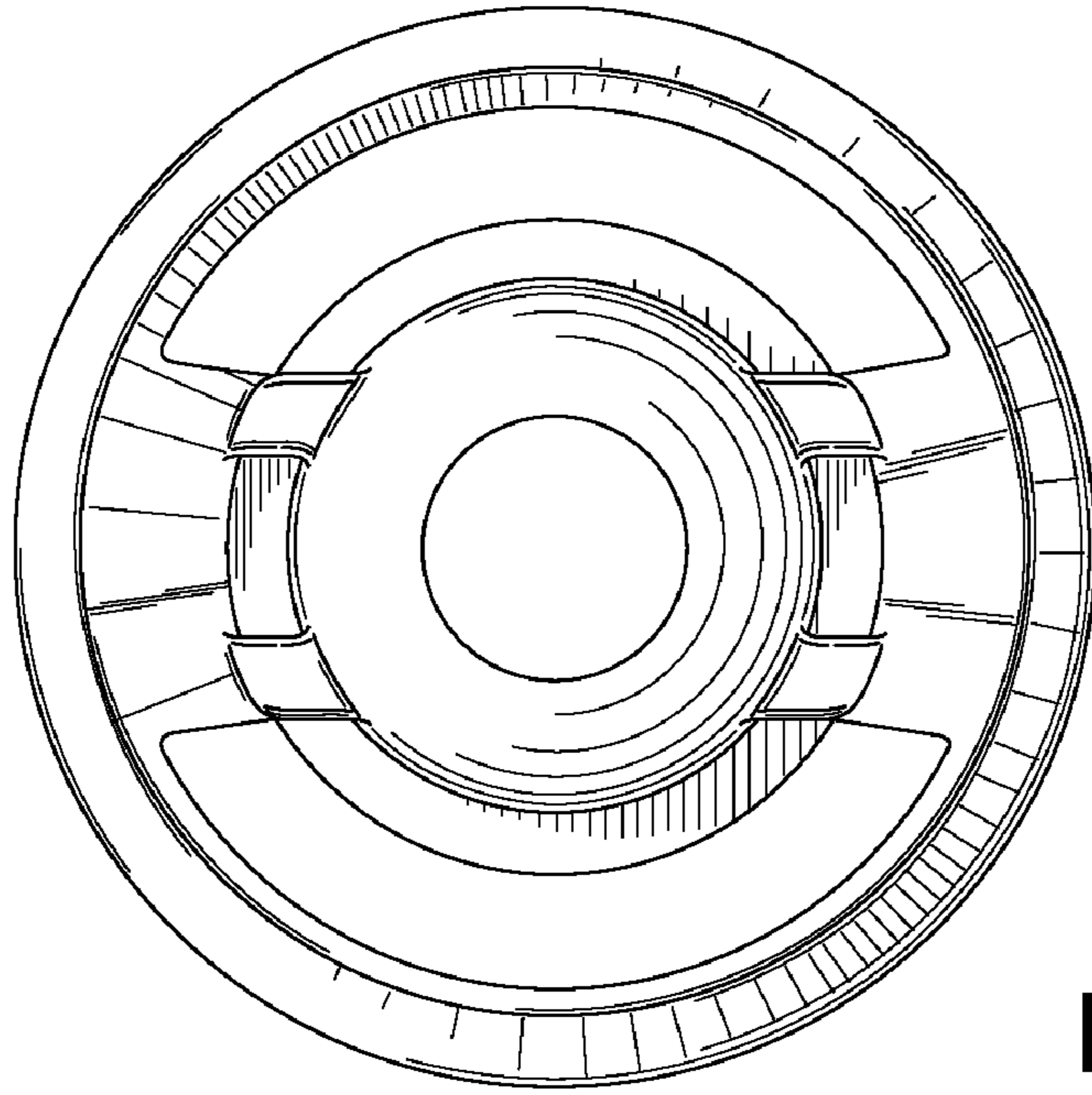


Fig. 5

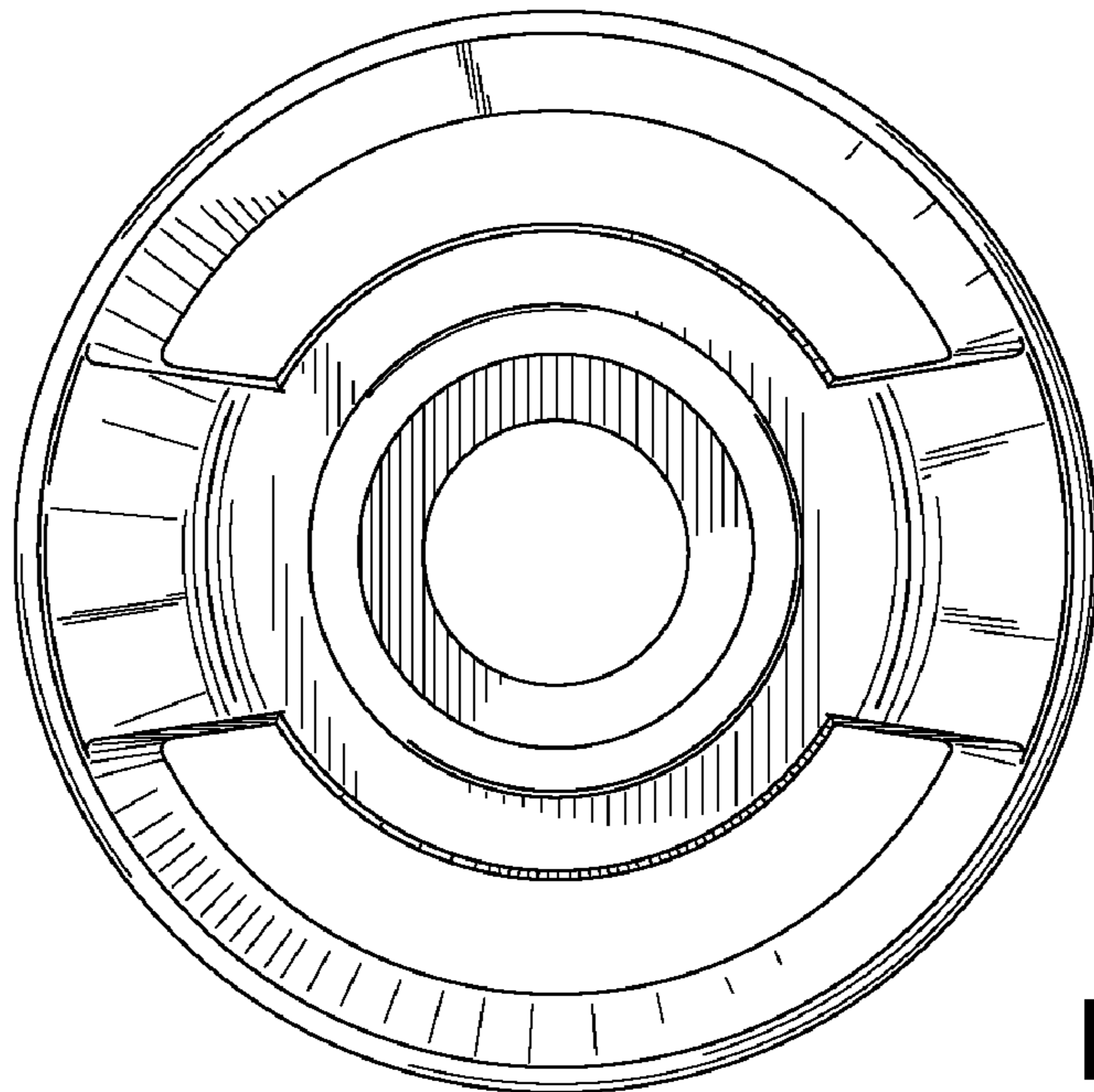


Fig. 6