



US00D634156S

(12) **United States Design Patent**
Fuller et al.

(10) **Patent No.:** **US D634,156 S**
(45) **Date of Patent:** **** Mar. 15, 2011**

(54) **COOKING KNOB**

(75) Inventors: **Mallory A. Fuller**, Benton Harbor, MI (US); **Jason S. Lind**, Benton Harbor, MI (US); **John W. McConnell**, Chicago, IL (US)

(73) Assignee: **Whirlpool Corporation**, Benton Harbor, MI (US)

(**) Term: **14 Years**

(21) Appl. No.: **29/340,993**

(22) Filed: **Jul. 29, 2009**

(51) **LOC (9) Cl.** **07-02**

(52) **U.S. Cl.** **D7/393**

(58) **Field of Classification Search** D7/354–358, D7/359–361, 391, 393, 402, 405, 406, 682; D8/107, 307, 300, 310, 311; D13/171, 174; 16/110 R, 114 R, 118, 121, 309, 311, 312, 16/315, 320, 430, 431, 441; 74/548, 553, 74/558.5; 200/18, 61.8, 336–338, 564–570; 220/573.1, 573.5, 752, 753, 755, 912; D9/439
See application file for complete search history.

(56) **References Cited**

U.S. PATENT DOCUMENTS

1,884,133	A	*	10/1932	Nero	200/336
D145,188	S	*	7/1946	Stewart	D8/311
2,537,782	A	*	1/1951	Meyers	16/309
D198,028	S	*	4/1964	Collins, Jr.	D8/311
D208,918	S	*	10/1967	Dole, Jr.	D8/311
D225,204	S	*	11/1972	Kendrick	D8/311
D400,778	S	*	11/1998	Holbrook, Jr.	D8/311
D443,496	S	*	6/2001	DeCosse	D8/300
D450,997	S	*	11/2001	Brady	D8/311

D498,657	S	*	11/2004	Milrud et al.	D8/311
D504,300	S	*	4/2005	Chen et al.	D8/310
D510,515	S	*	10/2005	Miller	D8/311
D511,669	S	*	11/2005	Miller	D8/300
D516,407	S	*	3/2006	Grutzke et al.	D8/311
D521,314	S	*	5/2006	Ball	D7/393
D525,518	S	*	7/2006	Baldwin	D8/310
D559,206	S	*	1/2008	Neveu	D13/174
D564,980	S	*	3/2008	Browne et al.	D13/174
D577,538	S	*	9/2008	Suh et al.	D7/393
D577,983	S	*	10/2008	Martin et al.	D8/311
2004/0107545	A1	*	6/2004	Worrell	16/441

* cited by examiner

Primary Examiner — Cynthia M Chin

(74) *Attorney, Agent, or Firm* — Tara M. Hartman; Barnes & Thornburg LLP

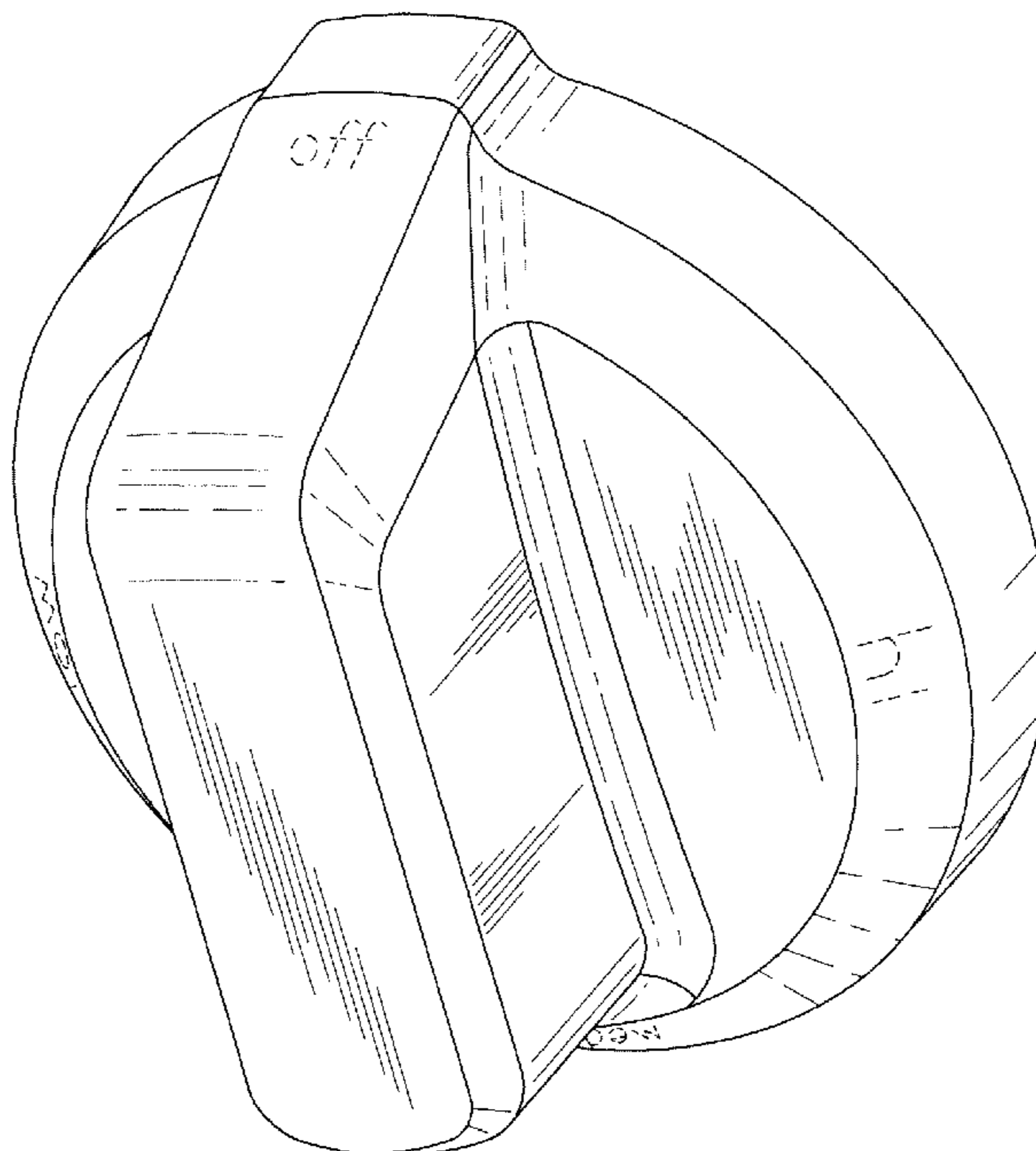
(57) **CLAIM**

We claim the ornamental design for a cooking knob, as shown and described.

DESCRIPTION

FIG. 1 is a front perspective view of the design of the cooking knob;
FIG. 2 is a front elevational view of the cooking knob of FIG. 1;
FIG. 3 is a first side elevational view of the cooking knob of FIG. 1, with the second side elevational view being a mirror image of FIG. 3;
FIG. 4 is a top plan view of the cooking knob of FIG. 1; and, FIG. 5 is a bottom plan view of the cooking knob of FIG. 1. The rear elevational view is not shown and forms no part of the claimed design. The portion shown in broken lines is for illustrative purposes only and forms no part of the claimed design.

1 Claim, 5 Drawing Sheets



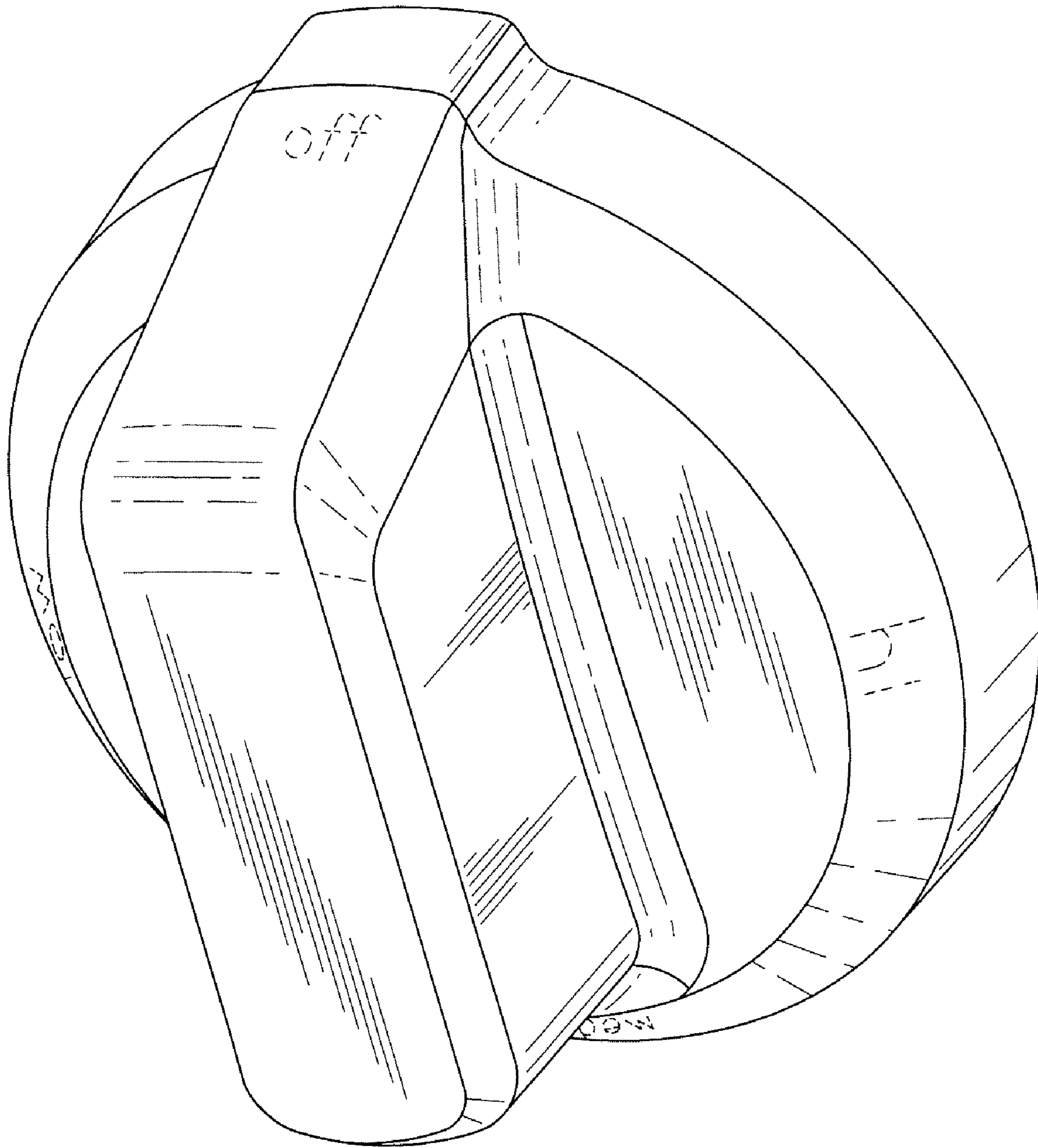


Fig. 1

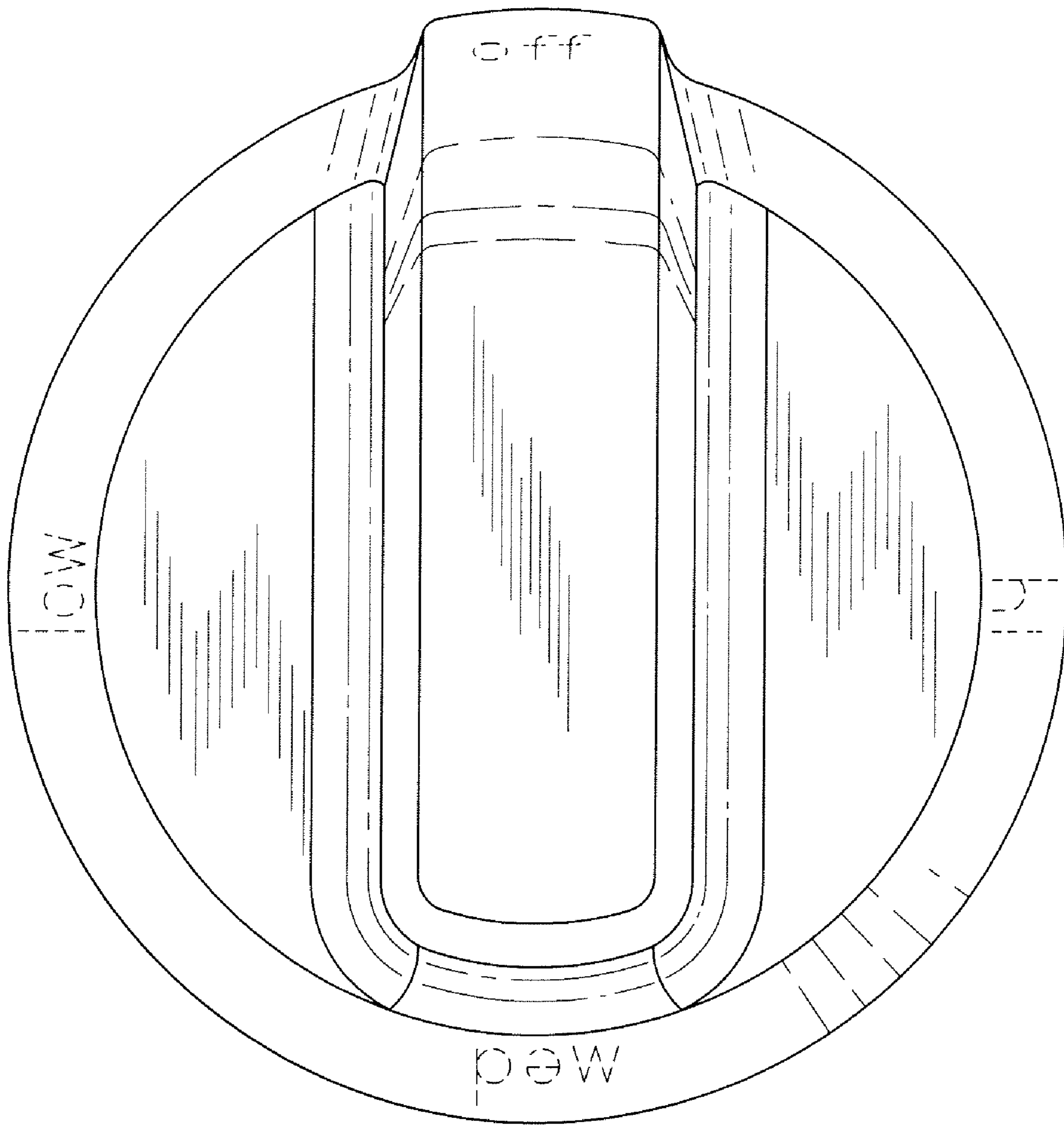


Fig. 2

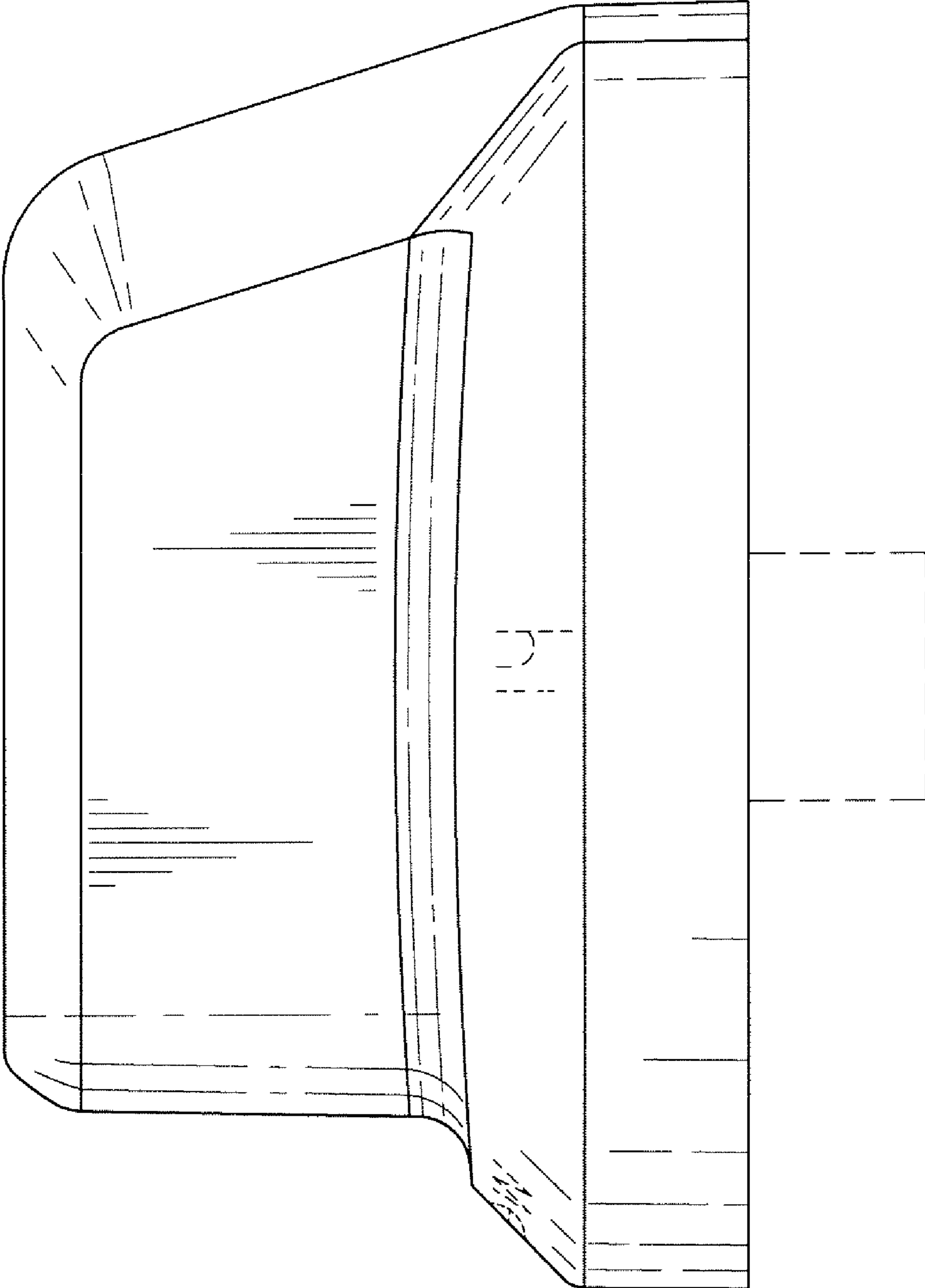


Fig. 3

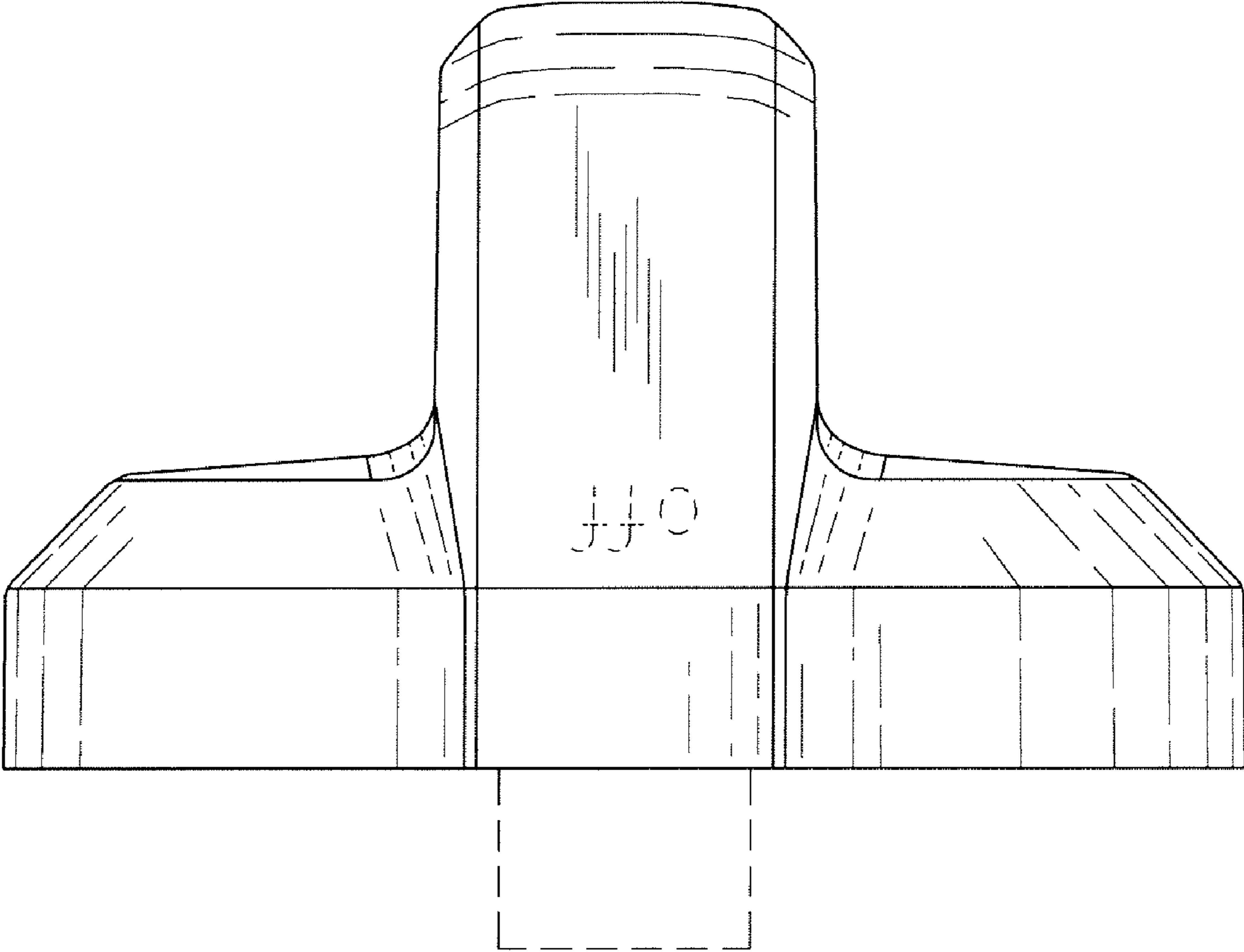


Fig. 4

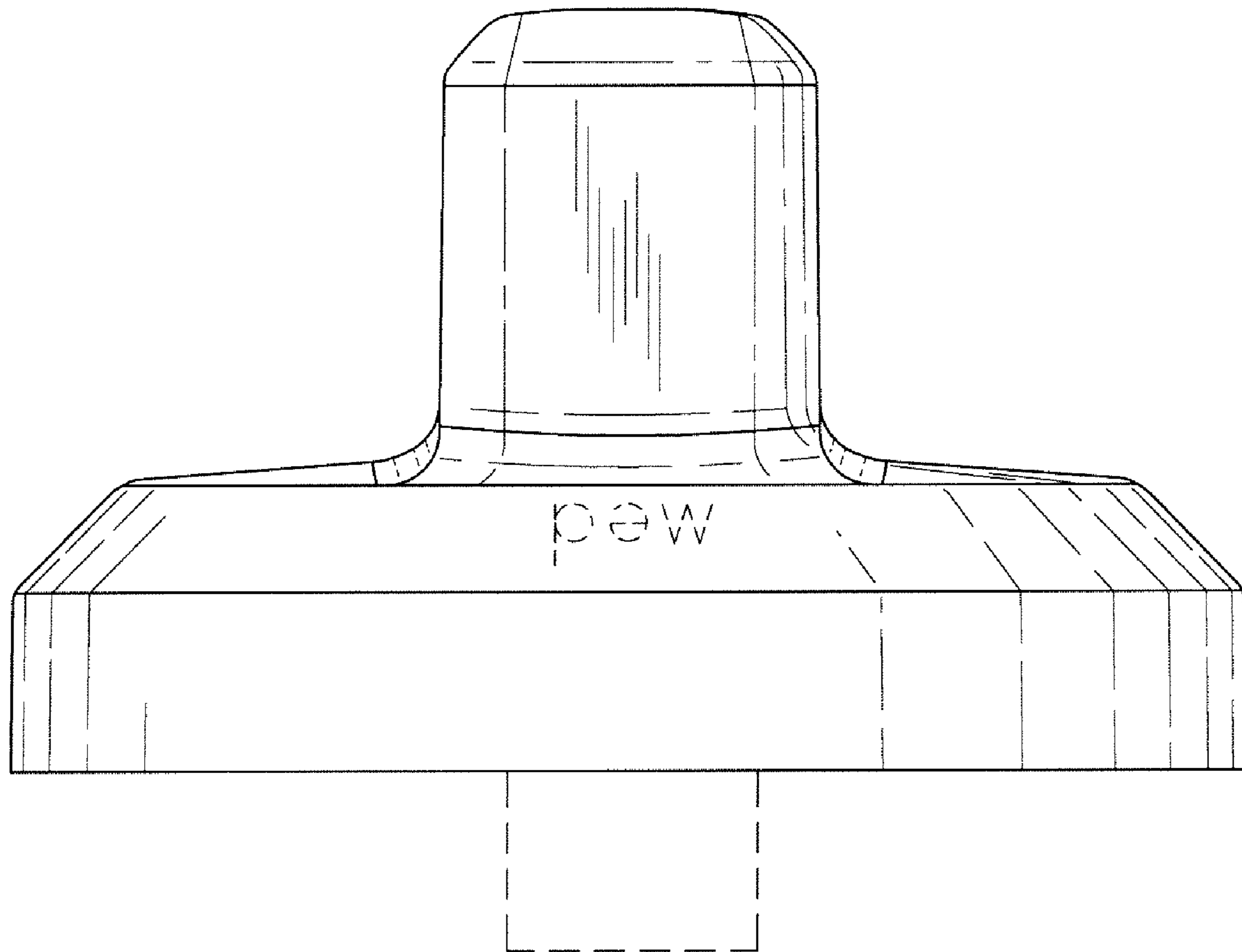


Fig. 5