



US00D634155S

(12) **United States Design Patent**
Duncan et al.

(10) **Patent No.:** **US D634,155 S**
(45) **Date of Patent:** **** Mar. 15, 2011**

(54) **COFFEE GRINDER**

(75) Inventors: **Terence M. Duncan**, Saint Joseph, MI (US); **Zachary A. Lownds**, Saint Joseph, MI (US)

(73) Assignee: **Whirlpool Corporation**, Benton Harbor, MI (US)

(**) Term: **14 Years**

(21) Appl. No.: **29/369,628**

(22) Filed: **Sep. 10, 2010**

(51) **LOC (9) Cl.** **31-00**

(52) **U.S. Cl.** **D7/373; D7/372; D7/376**

(58) **Field of Classification Search** D7/305-311, D7/317-318, 323, 372-386, 399-400, 401.1, D7/412-415, 665, 679; 99/286, 348, 509-511; 241/30-37.5, 101.01-101.2, 166-169.1, 241/277-280, 285.1-285.3, 291, 292.1; 366/64-67, 366/96-98, 142, 197-211, 241-254, 279-292, 366/341-347

See application file for complete search history.

(56) **References Cited**

U.S. PATENT DOCUMENTS

D212,260 S *	9/1968	Cabell	D7/373
D218,256 S *	8/1970	Rams	D7/373
D269,489 S *	6/1983	Akita	D7/372
D303,482 S *	9/1989	Barrault	D7/381
D320,326 S *	10/1991	Barrault	D7/384

D339,716 S *	9/1993	Barrault	D7/383
D346,526 S *	5/1994	Bannigan	D7/323
D366,595 S *	1/1996	Dobson et al.	D7/384
D372,835 S *	8/1996	Leverrier	D7/372
D390,745 S *	2/1998	Leverrier	D7/381
D617,603 S *	6/2010	Garman et al.	D7/373
D621,206 S *	8/2010	Matta et al.	D7/372
D622,095 S *	8/2010	Metaxatos et al.	D7/383

* cited by examiner

Primary Examiner — Ricky Pham

(74) *Attorney, Agent, or Firm* — Tara M. Hartman; Barnes & Thornburg LLP

(57) **CLAIM**

We claim the ornamental design for a coffee grinder, as shown and described.

DESCRIPTION

FIG. 1 is a front perspective view of the design of the coffee grinder;

FIG. 2 is a front elevation view of the coffee grinder of FIG. 1;

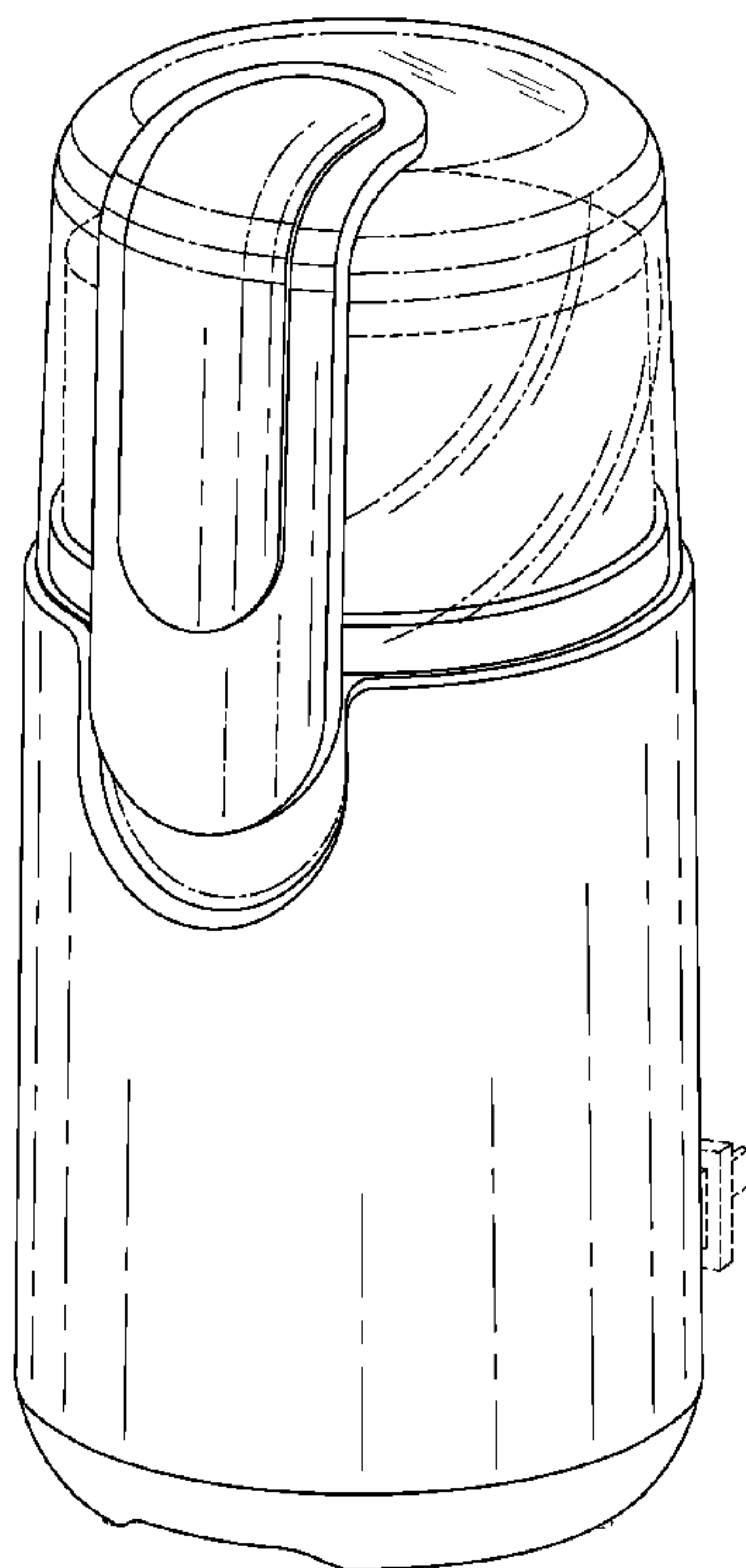
FIG. 3 is a first side elevation view of the coffee grinder of FIG. 1, with the second side elevation view being a mirror image of FIG. 3;

FIG. 4 is the rear elevation view of the coffee grinder of FIG. 1;

FIG. 5 is a top plan view of the coffee grinder of FIG. 1; and, FIG. 6 is the bottom plan view of the coffee grinder of FIG. 1.

The portion shown in broken lines is for illustrative purposes only and forms no part of the claimed design.

1 Claim, 6 Drawing Sheets



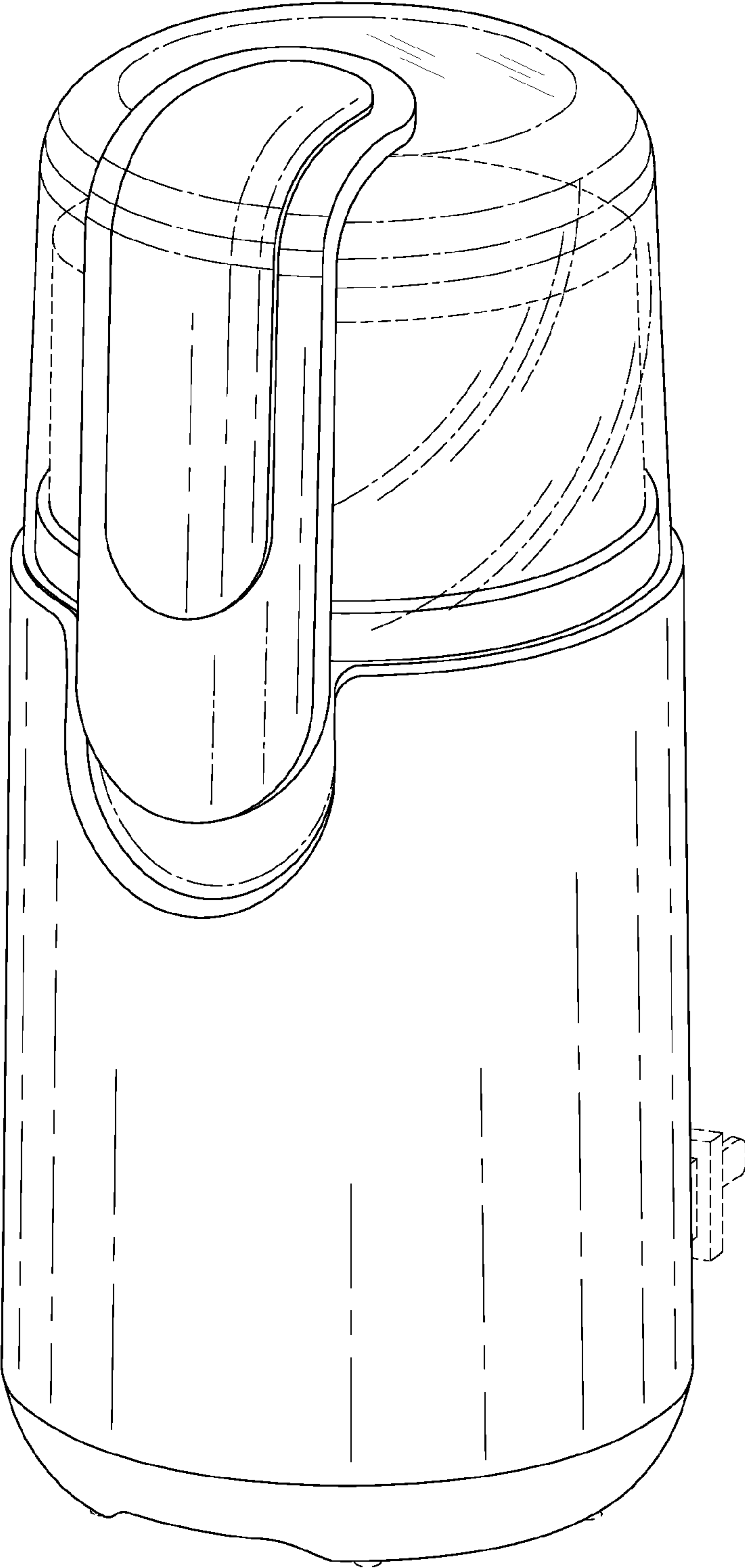


Fig. 1

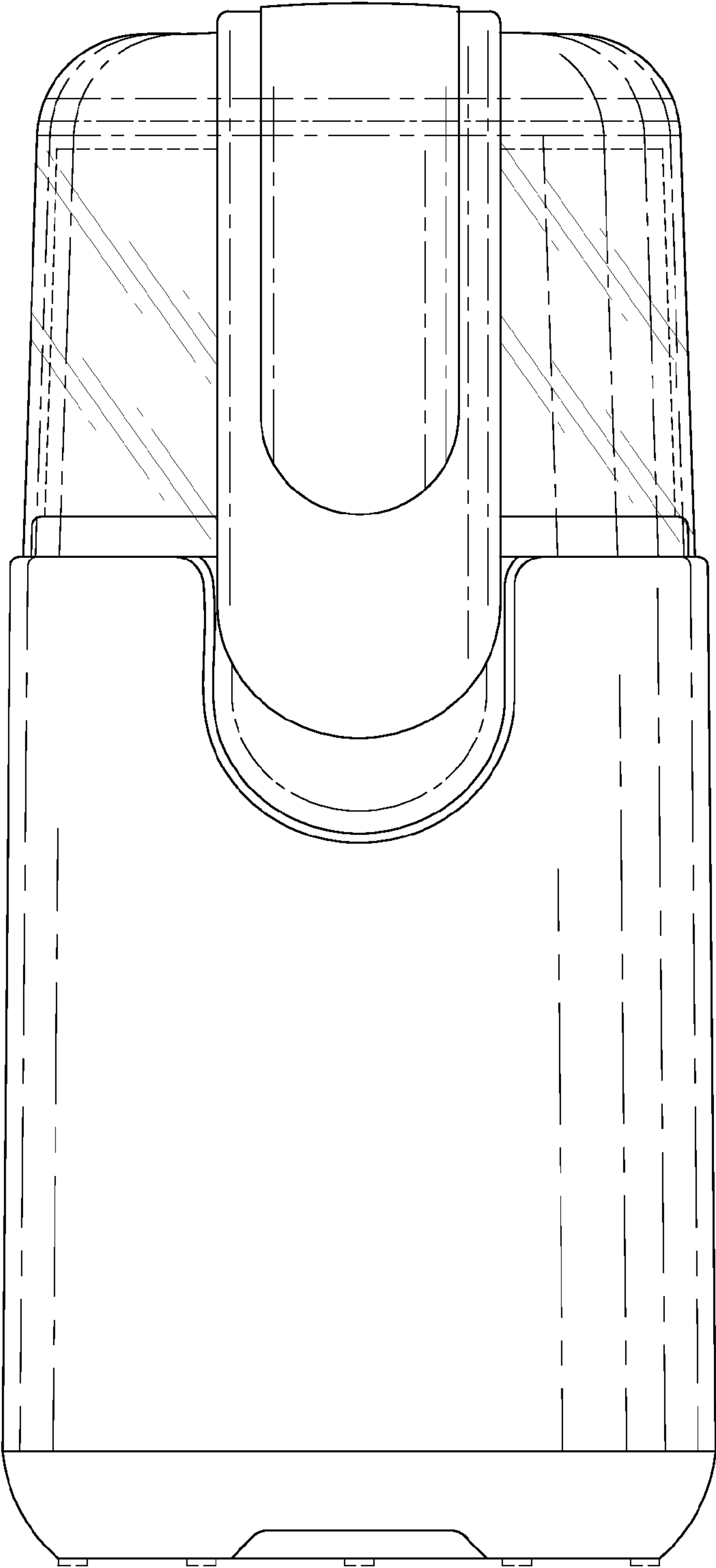


Fig. 2

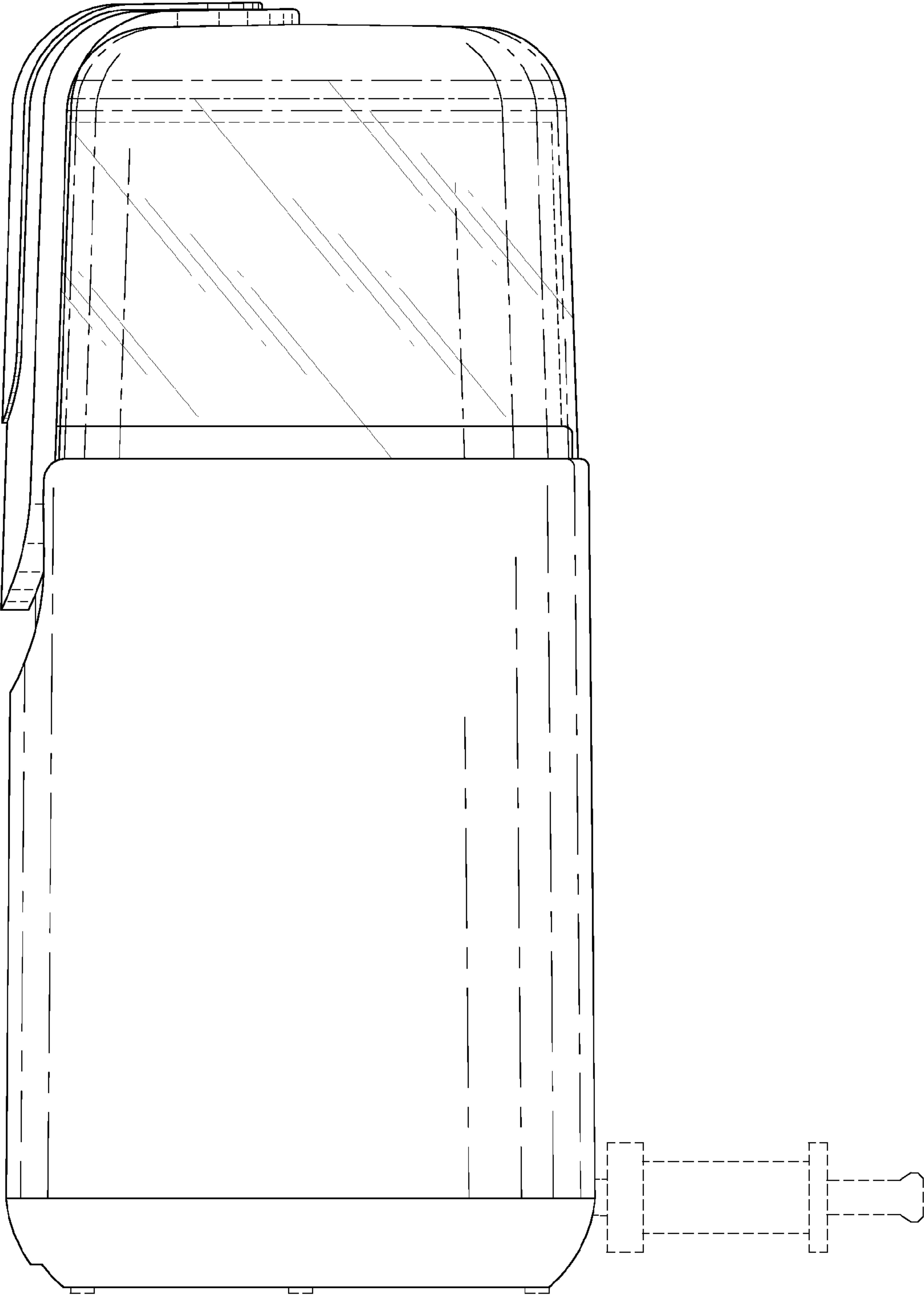


Fig. 3

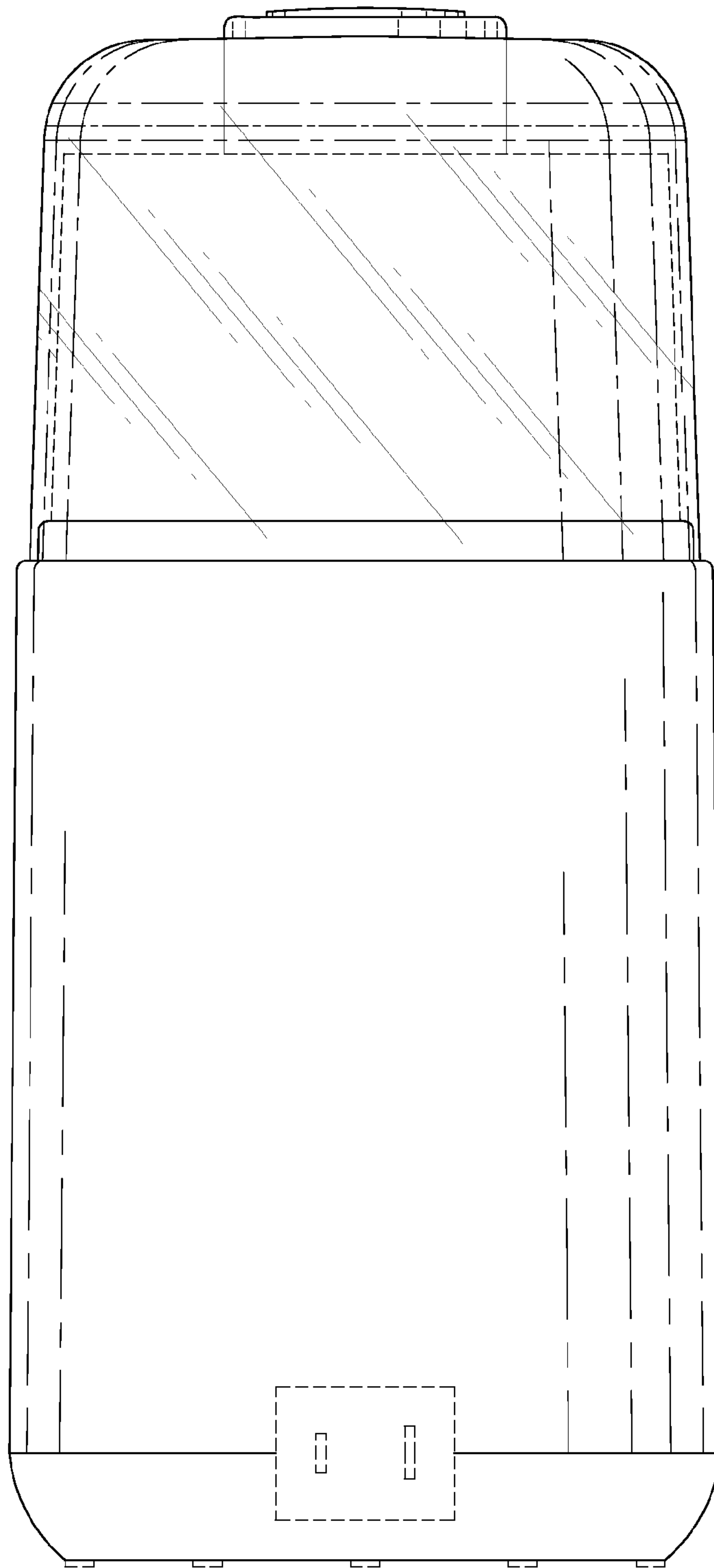


Fig. 4

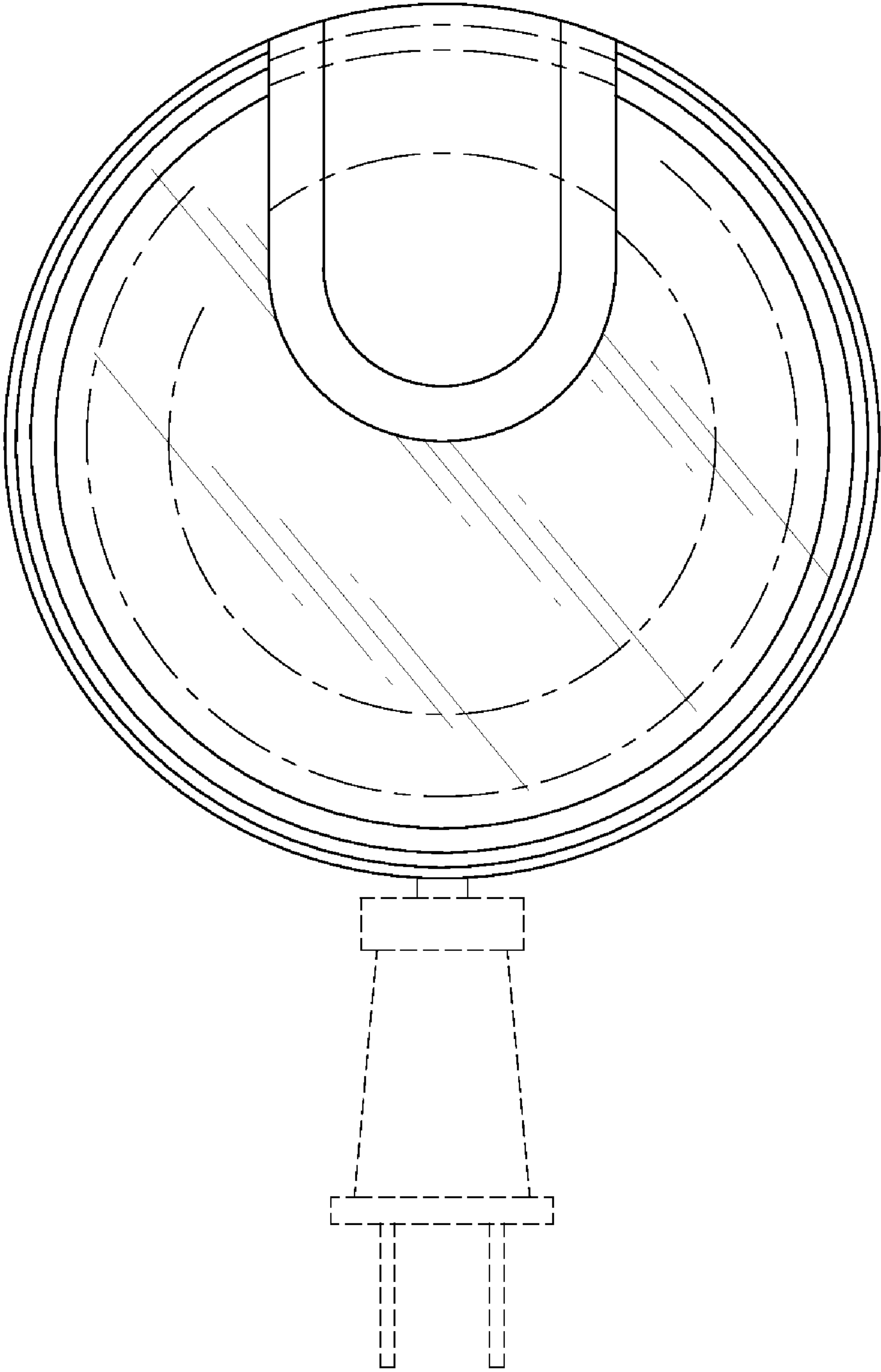


Fig. 5

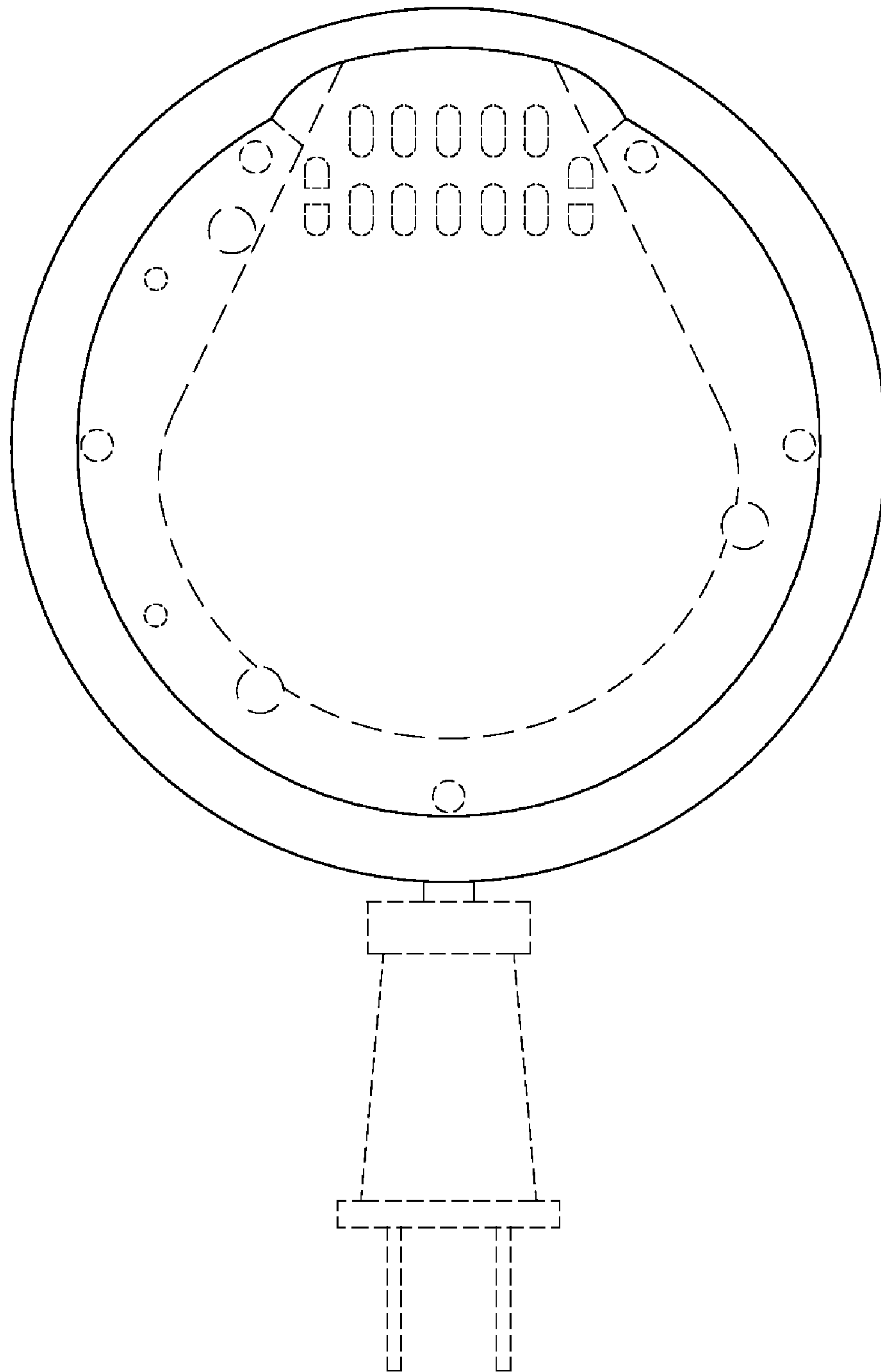


Fig. 6