



US00D634146S

(12) **United States Design Patent**
Kennett

(10) **Patent No.:** **US D634,146 S**
(45) **Date of Patent:** **** Mar. 15, 2011**

(54) **BED VALANCE**

(75) Inventor: **Rosemary Anne Kennett**, Burnside (AU)

(73) Assignee: **Intide Pty Ltd**, Burnside (AU)

(**) Term: **14 Years**

(21) Appl. No.: **29/336,762**

(22) Filed: **May 8, 2009**

(30) **Foreign Application Priority Data**

Nov. 12, 2008 (AU) 15334/2008

(51) **LOC (9) Cl.** **06-13**

(52) **U.S. Cl.** **D6/595**

(58) **Field of Classification Search** D6/595-600,
D6/602, 603, 606; 5/482, 485, 493, 494,
5/496, 497, 499; 156/66
See application file for complete search history.

(56) **References Cited**

U.S. PATENT DOCUMENTS

2,763,875	A *	9/1956	Piontkowski	5/493
3,144,666	A *	8/1964	Ragsdale Mazera et al.	5/403
4,141,097	A *	2/1979	Levinsohn et al.	5/493
5,479,664	A *	1/1996	Hollander	5/499
5,733,397	A *	3/1998	McDaniel	156/66

6,151,731	A *	11/2000	Saparow	5/493
6,912,745	B2 *	7/2005	Masoncup	5/493
7,281,281	B2 *	10/2007	Langenberger	5/493
2003/0028965	A1 *	2/2003	Wootten et al.	5/493
2004/0231053	A1 *	11/2004	Masoncup	5/493
2006/0143826	A1 *	7/2006	Barros	5/493
2009/0106901	A1 *	4/2009	Wootten, Jr.	5/497

* cited by examiner

Primary Examiner — Janice E Seeger

Assistant Examiner — Mary Ann Calabrese

(74) *Attorney, Agent, or Firm* — Young & Thompson

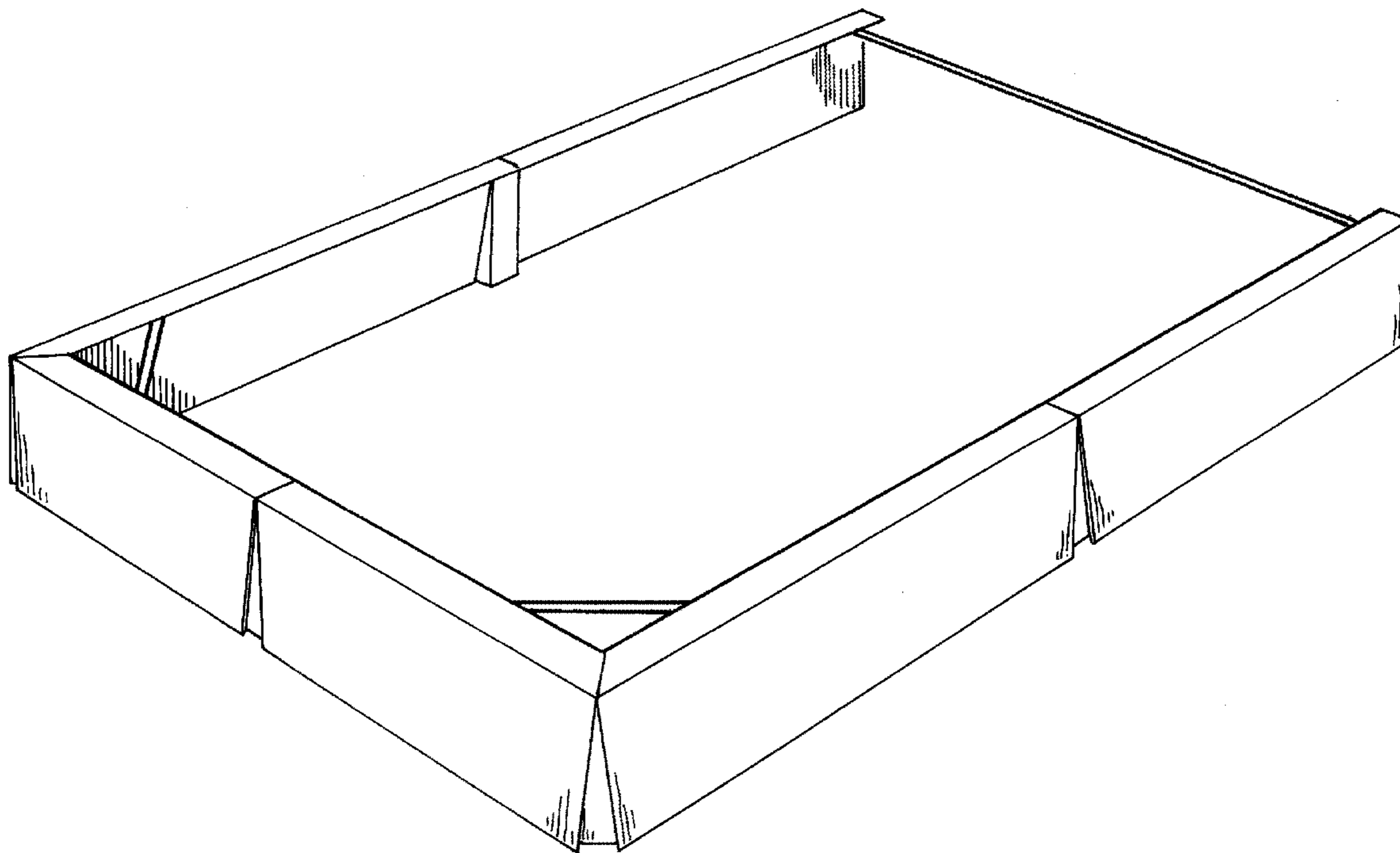
(57) **CLAIM**

The ornamental design for a bed valance, as shown and described.

DESCRIPTION

FIG. 1 is a rear, side and bottom perspective view of a bed valance showing my new design;
FIG. 2 is a front, top and side perspective view thereof;
FIG. 3 is a top plan view thereof;
FIG. 4 is a rear end view thereof;
FIG. 5 is a front end view thereof;
FIG. 6 is a bottom plan view thereof;
FIG. 7 is an elevational view thereof from the left of FIG. 5; and,
FIG. 8 is a side elevational view thereof from the right of FIG. 5.

1 Claim, 4 Drawing Sheets



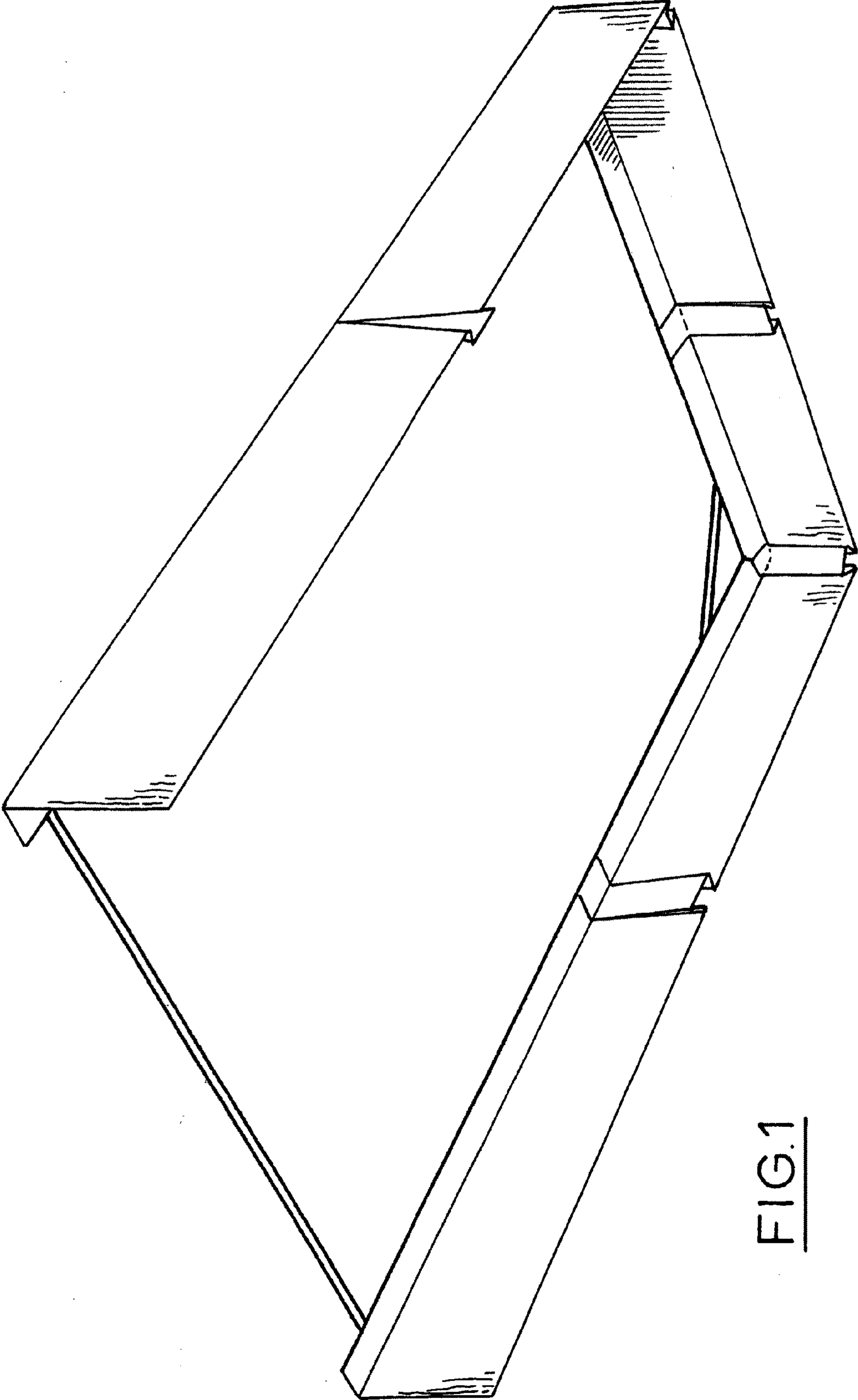


FIG.1

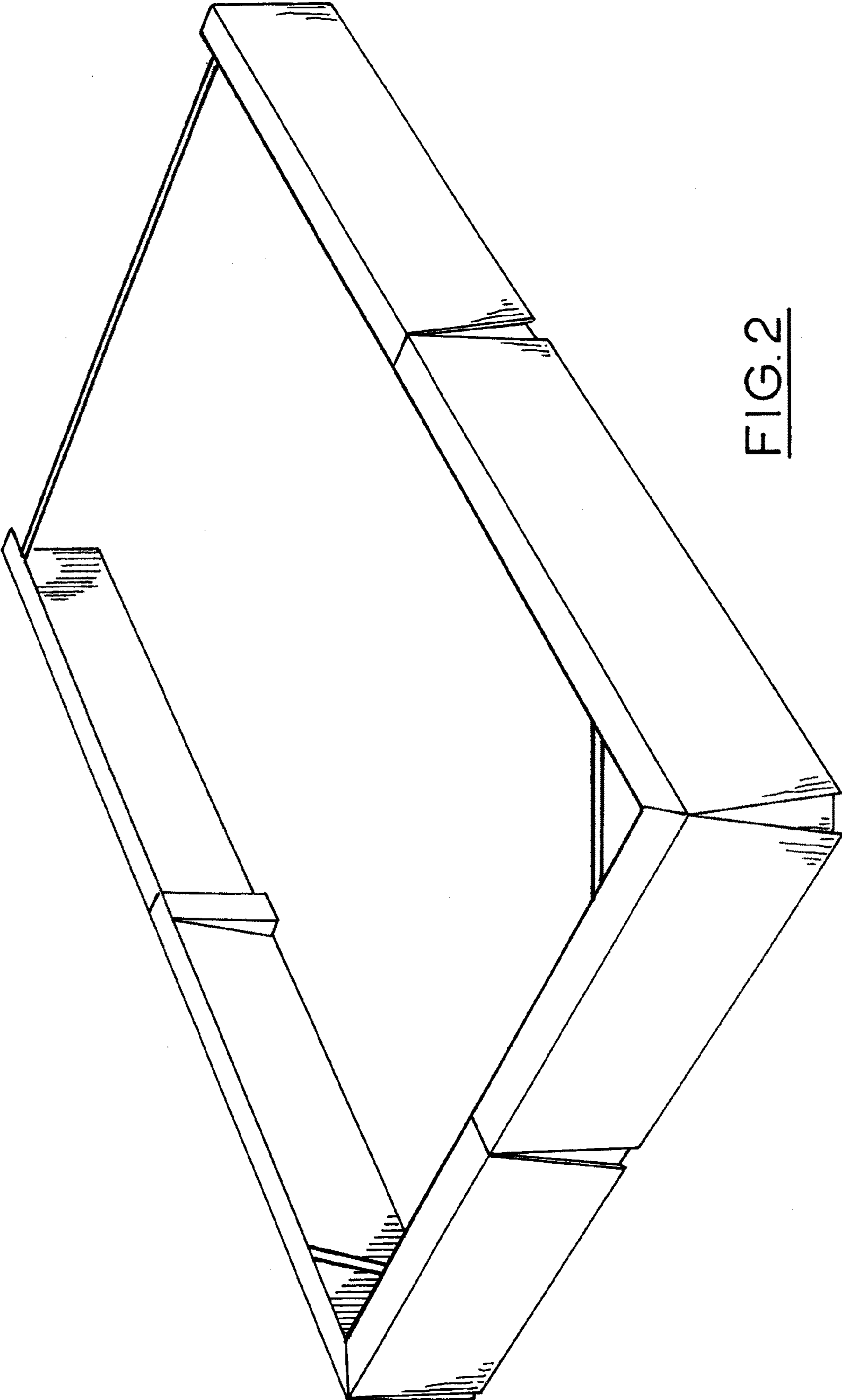


FIG. 2

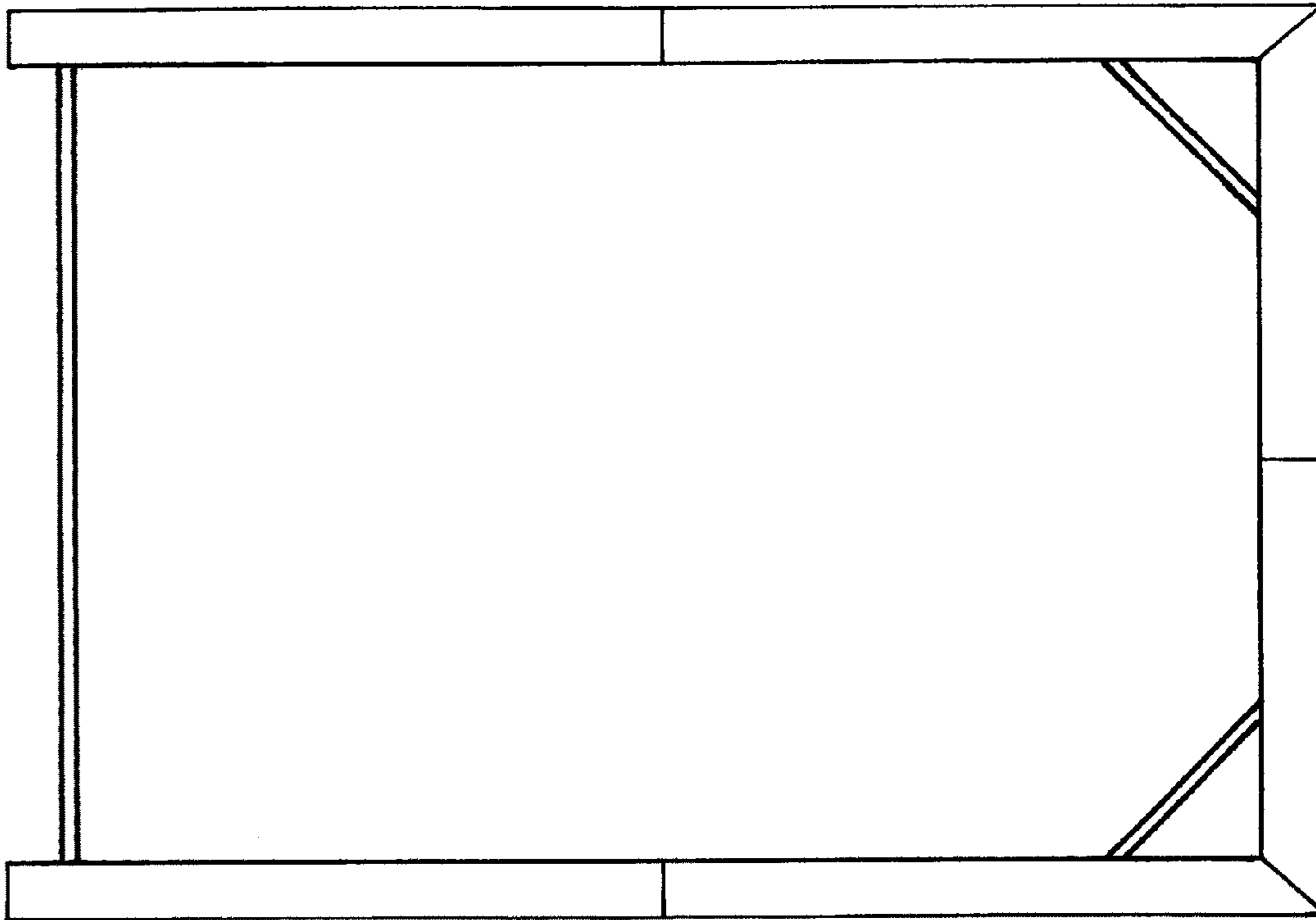


FIG. 3

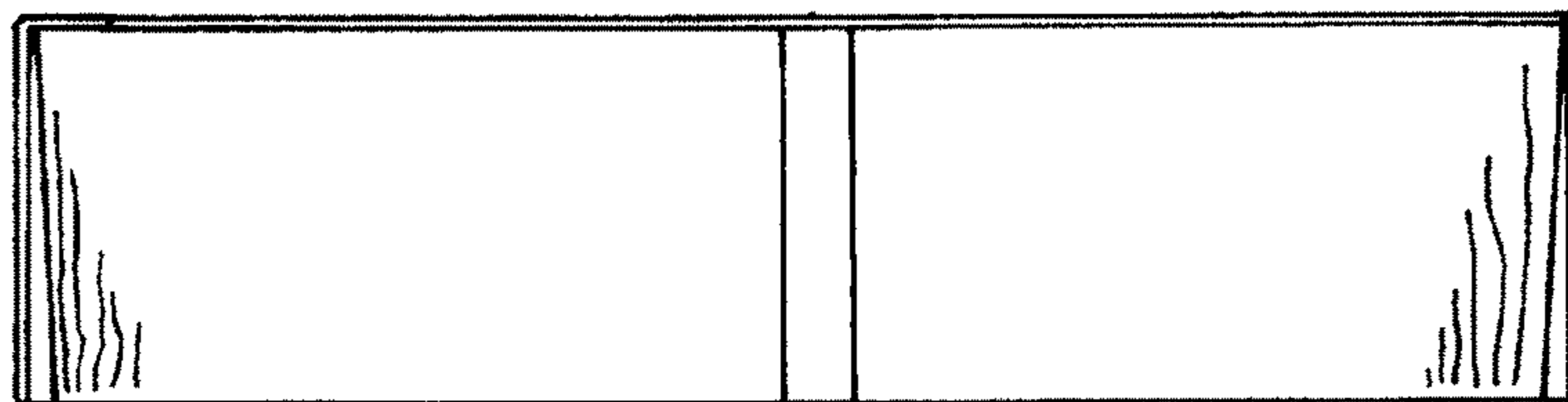


FIG. 4

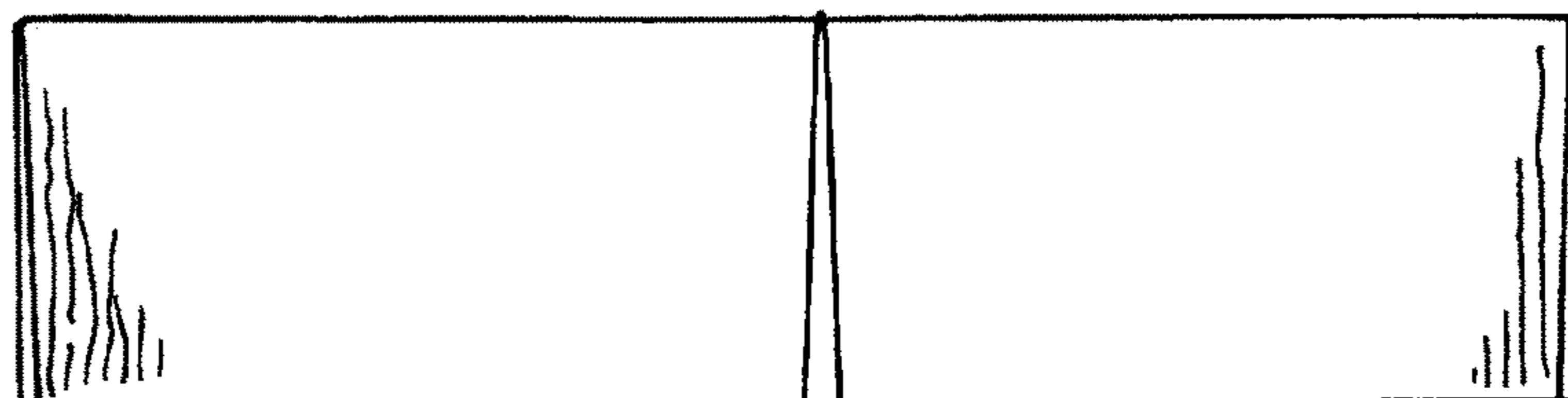


FIG. 5

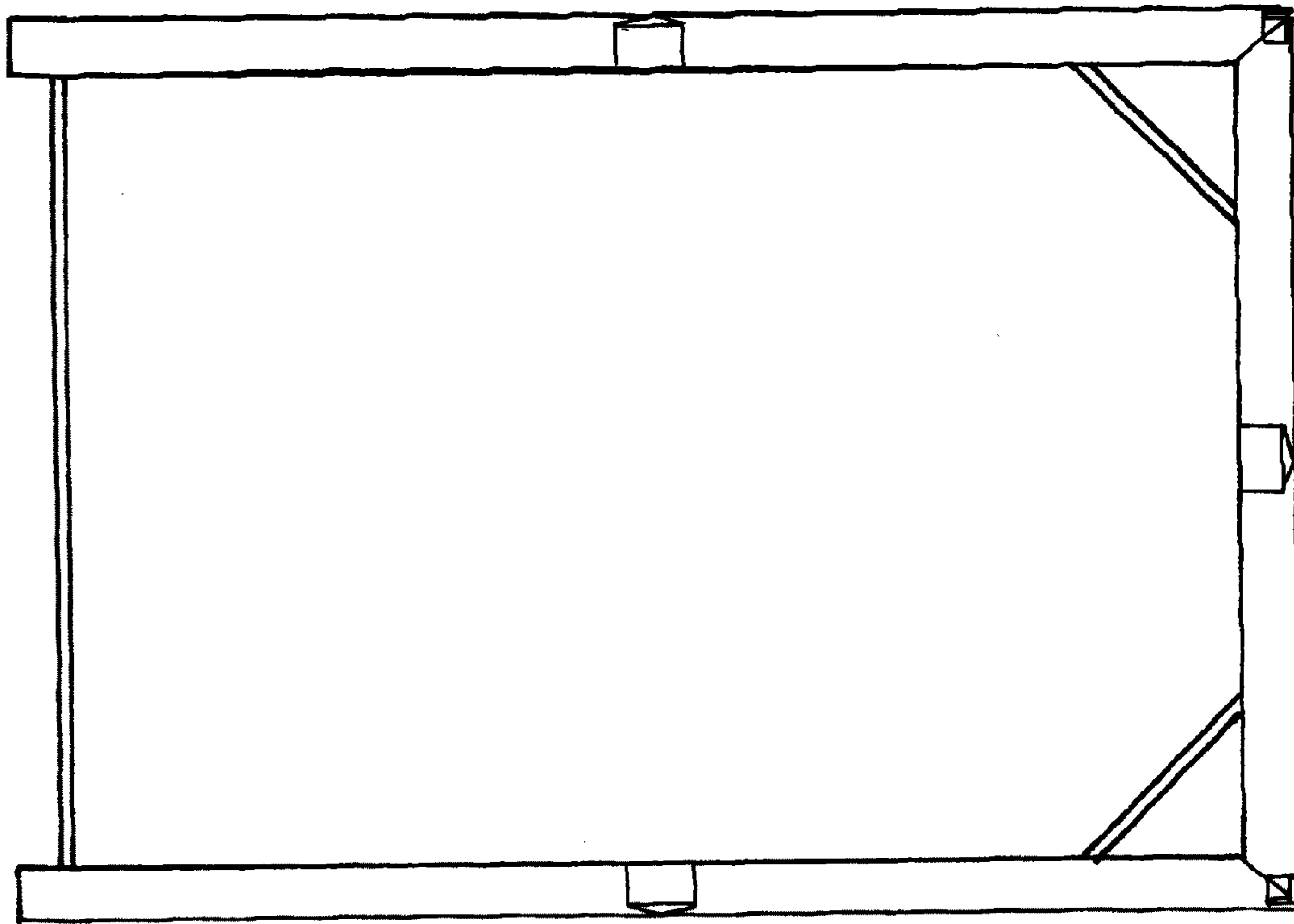


FIG. 6

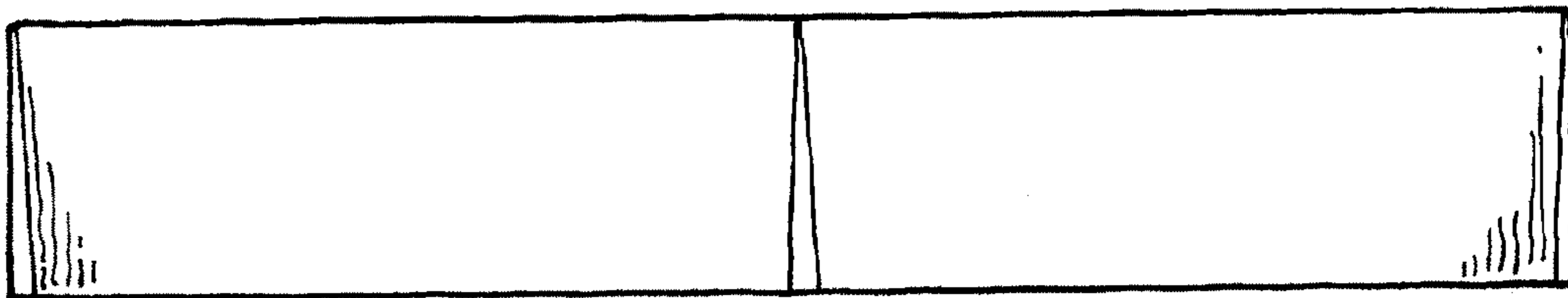


FIG. 7

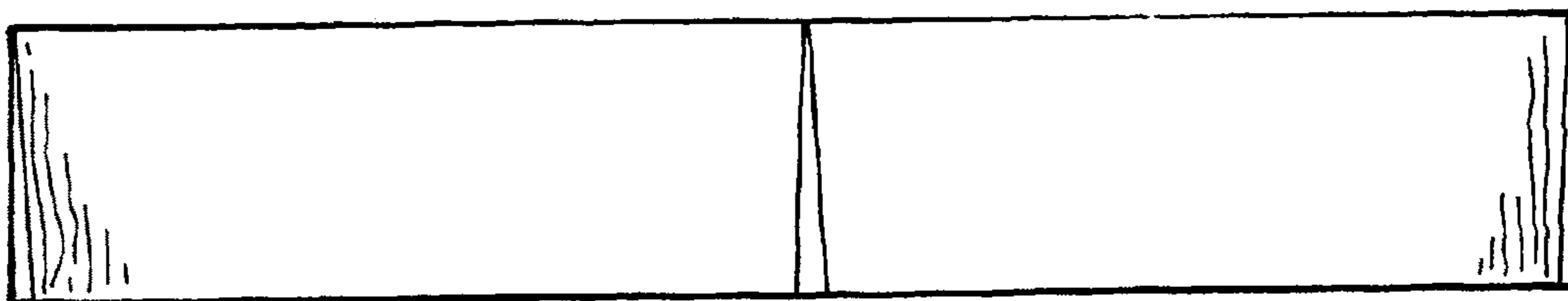


FIG. 8