



US00D634141S

(12) **United States Design Patent**  
**Volk**

(10) **Patent No.:** **US D634,141 S**  
(45) **Date of Patent:** **\*\* Mar. 15, 2011**

- (54) **TOOTHBRUSH HOLDER**
- (76) Inventor: **Donald J Volk**, Turlock, CA (US)
- (\*\*) Term: **14 Years**
- (21) Appl. No.: **29/377,998**
- (22) Filed: **Oct. 28, 2010**

D422,822 S	4/2000	Cayouette	
D439,781 S *	4/2001	Spore .....	D6/534
D539,582 S *	4/2007	Starck et al. ....	D6/534
D543,750 S *	6/2007	Hines .....	D6/534
D545,062 S *	6/2007	Nagoya .....	D6/534
7,228,976 B2	6/2007	Pretorius	
D567,558 S *	4/2008	Rubin .....	D6/534
D570,144 S	6/2008	Scofield	
D599,593 S	9/2009	Ghiorghie	
D604,975 S *	12/2009	Racanelli .....	D6/534
D609,950 S *	2/2010	Yang et al. ....	D6/528

**Related U.S. Application Data**

- (62) Division of application No. 29/356,031, filed on Feb. 18, 2010.
  - (51) **LOC (9) Cl.** ..... **23-02**
  - (52) **U.S. Cl.** ..... **D6/534**
  - (58) **Field of Classification Search** ..... D6/524, D6/526, 527, 528, 534; 206/208, 228, 209, 206/209.1, 361, 362, 362.1, 362.2, 362.3; 211/13.1, 66, 70.6, 86.01, 87.01
- See application file for complete search history.

\* cited by examiner

*Primary Examiner* — Brian N Vinson

(74) *Attorney, Agent, or Firm* — Smith Gambrell & Russell LLP

(57) **CLAIM**

The ornamental design for a toothbrush holder, as shown and described.

**DESCRIPTION**

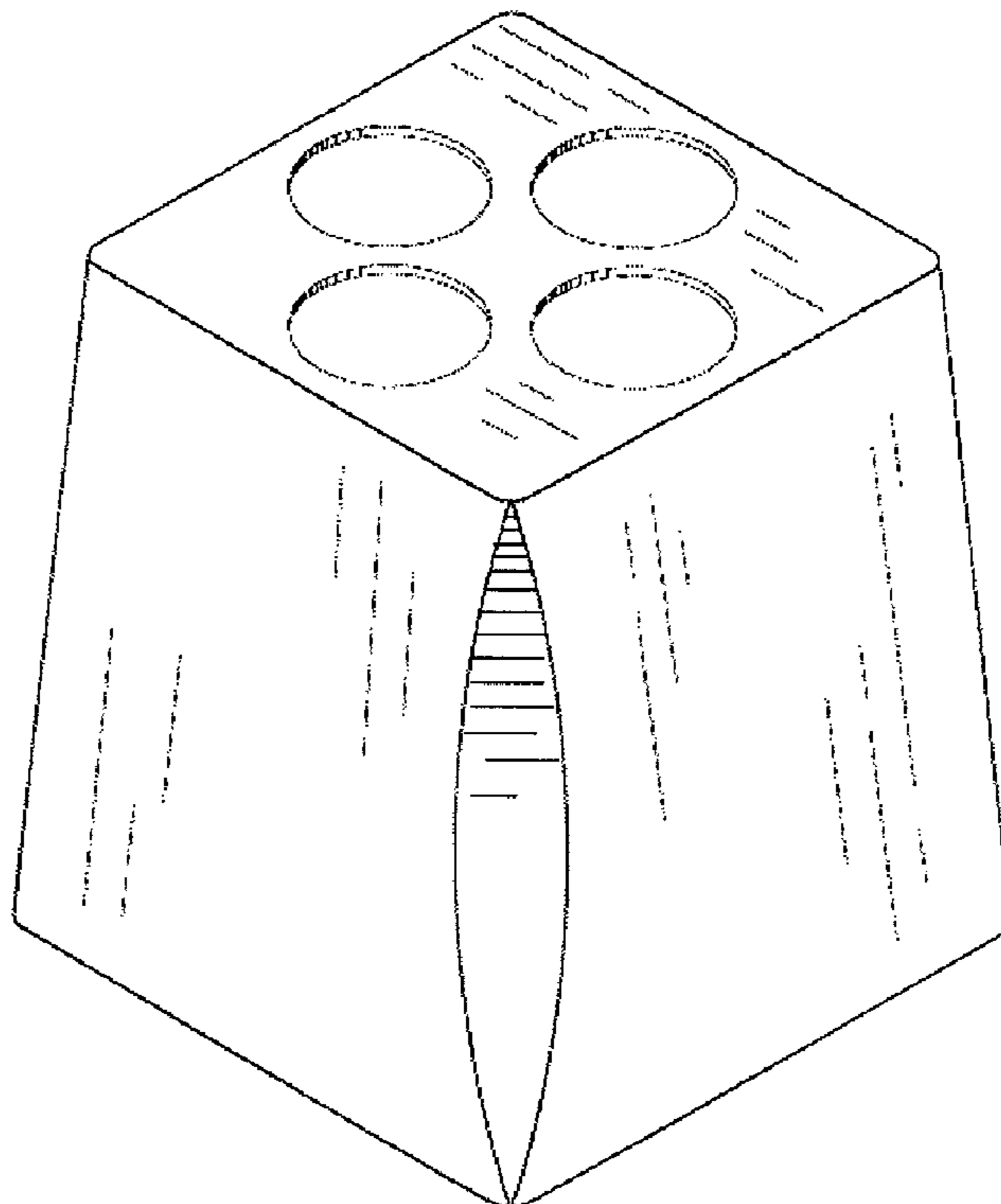
FIG. 1 is a top, front, and right side perspective view of a toothbrush holder showing my new design;  
 FIG. 2 is a top plan view thereof;  
 FIG. 3 is a front elevational view thereof;  
 FIG. 4 is a rear elevational view thereof;  
 FIG. 5 is a right side elevational view thereof;  
 FIG. 6 is a left side elevational view thereof; and,  
 FIG. 7 is a bottom plan view thereof.

(56) **References Cited**

U.S. PATENT DOCUMENTS

2,902,145 A	6/1958	Wagner	
3,233,743 A	2/1966	Di Tirro	
D241,200 S *	8/1976	Halstead .....	D6/534
D322,732 S *	12/1991	Stabe .....	D6/528
D323,090 S *	1/1992	Santarelli et al. ....	D6/534
D326,383 S	5/1992	Tapocik	
D362,383 S	9/1995	Boelling	
5,687,855 A	11/1997	Heller	

**1 Claim, 4 Drawing Sheets**



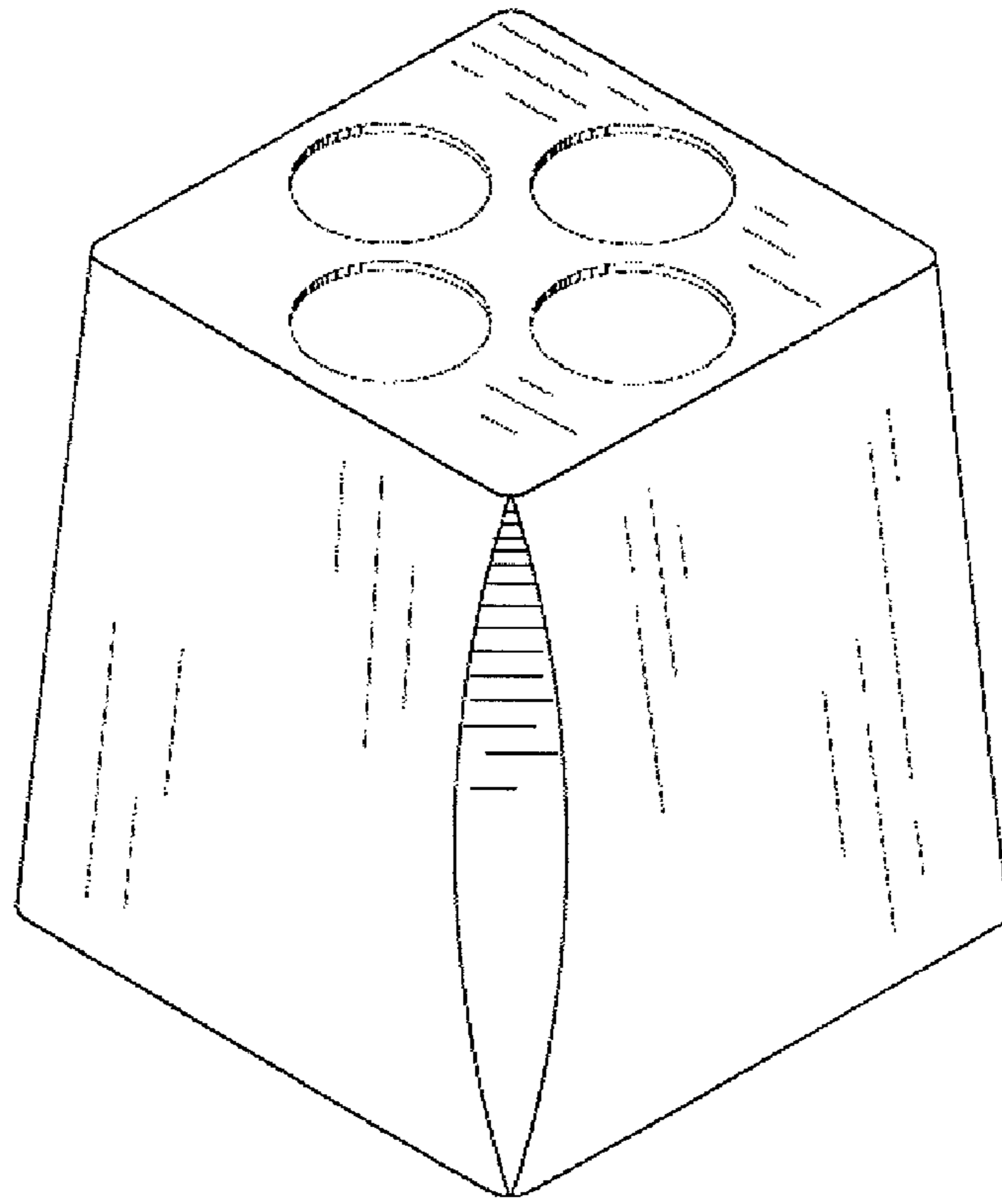


FIG. 1

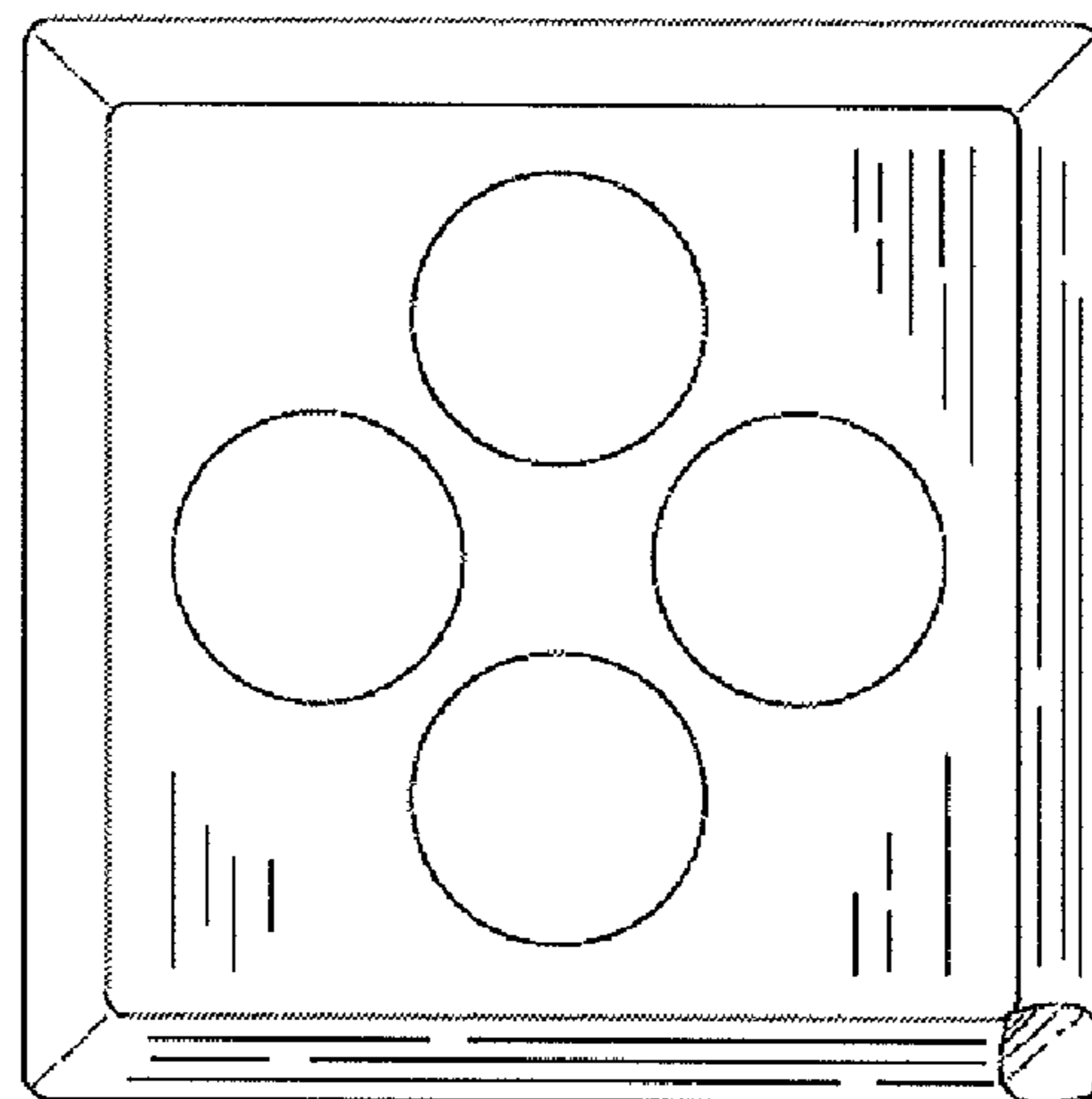


FIG. 2

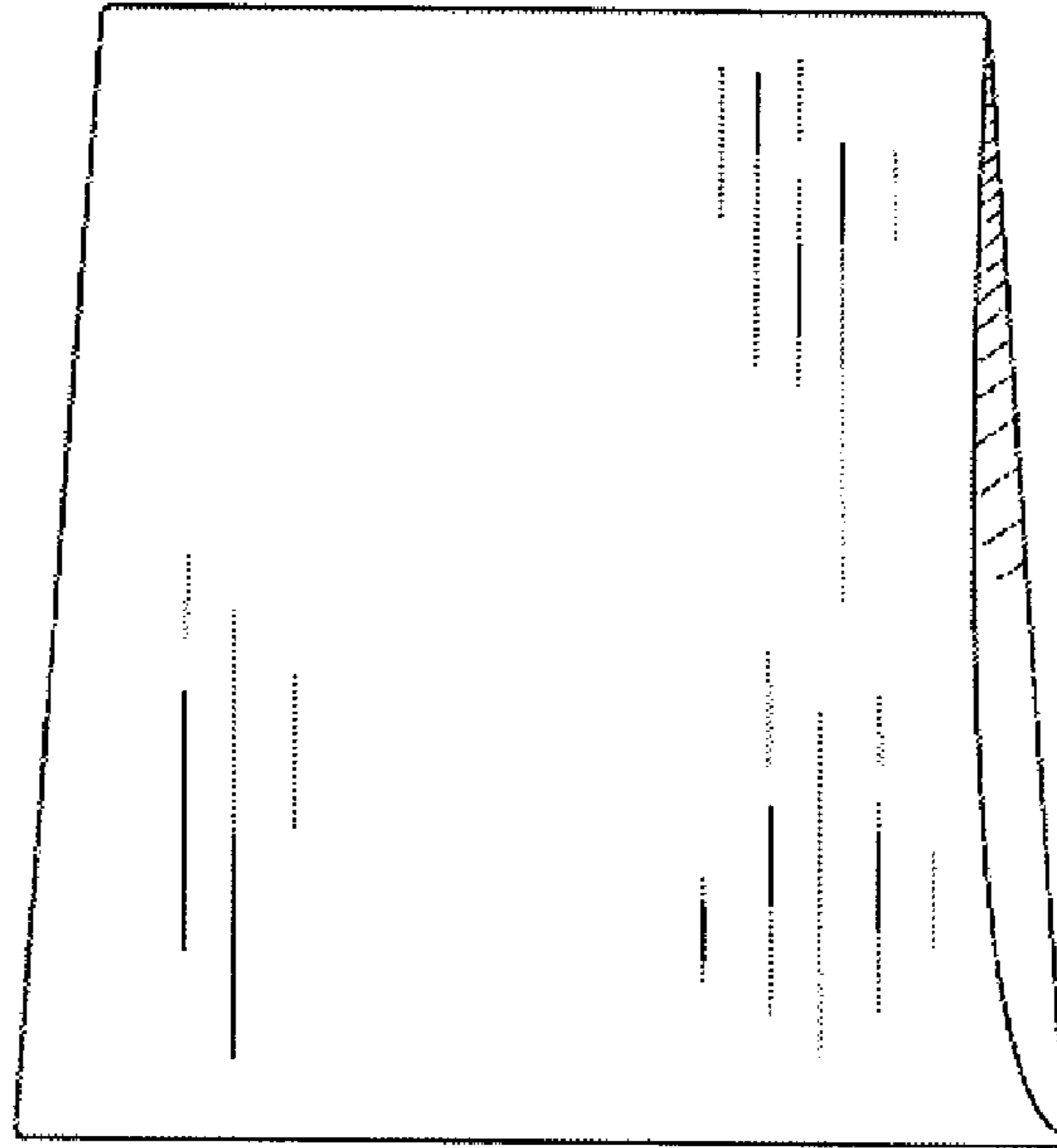


FIG. 3

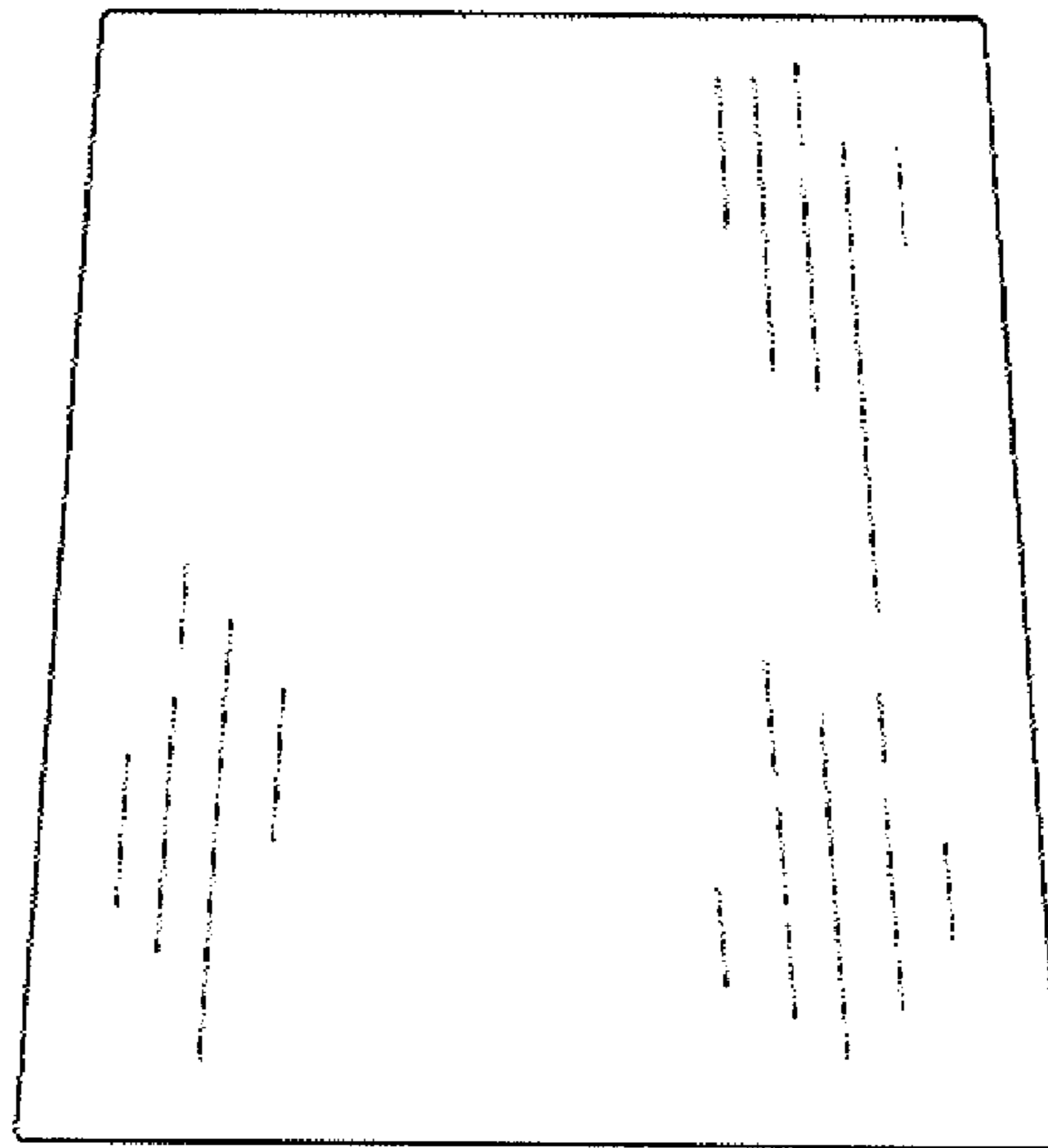


FIG. 4

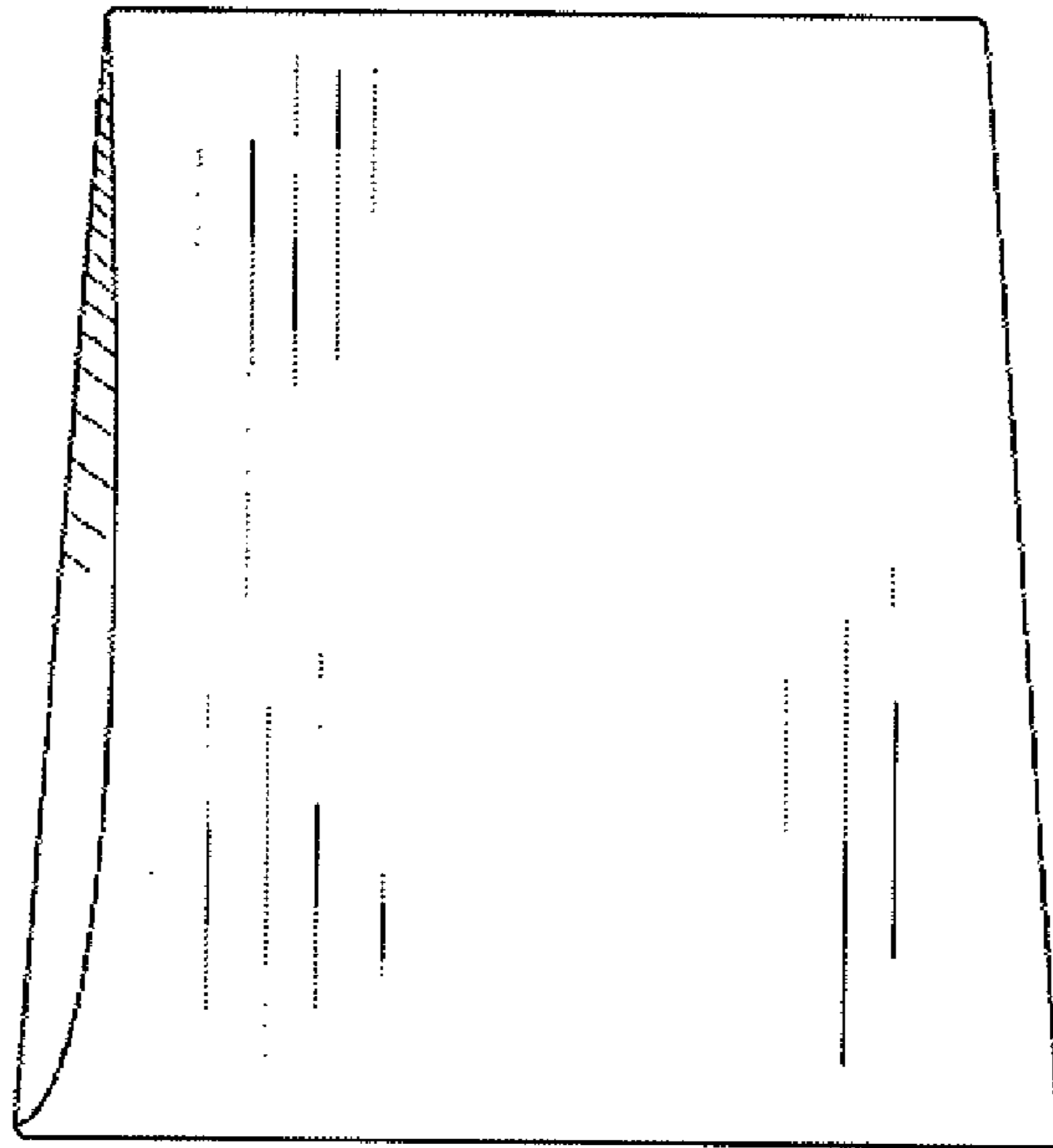


FIG. 5

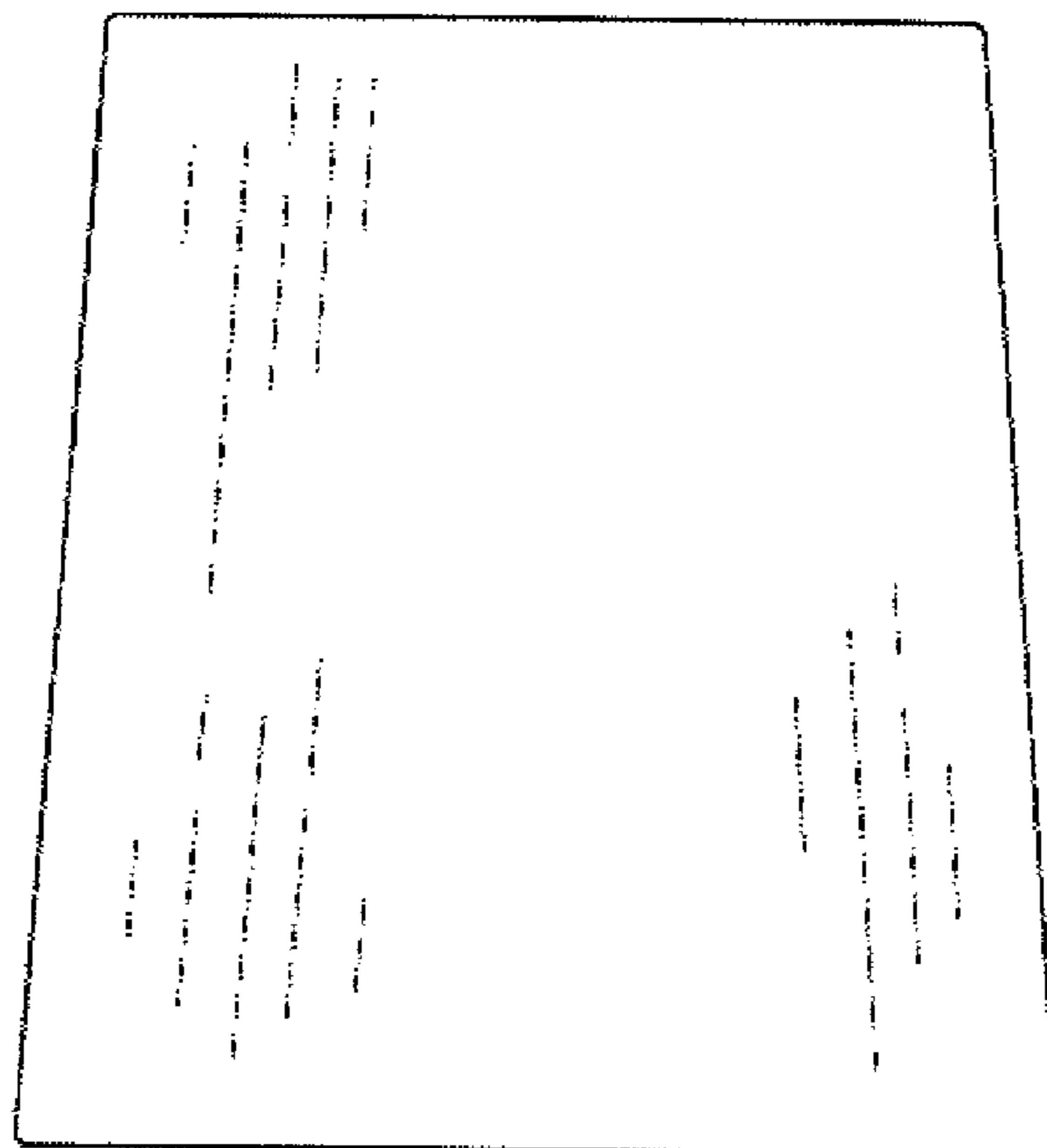


FIG. 6

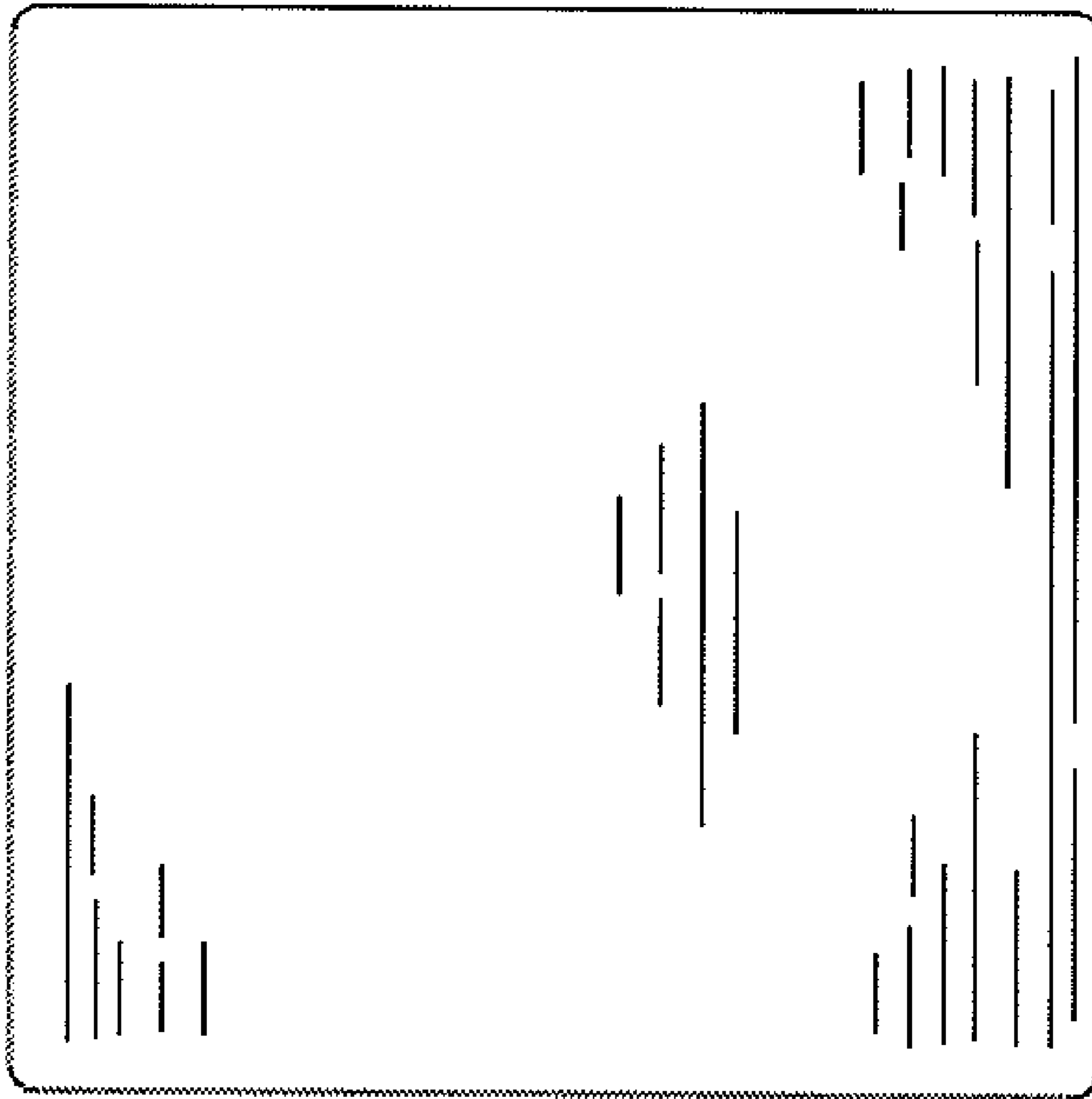


FIG. 7