



US00D634139S

(12) **United States Design Patent**
Volk

(10) **Patent No.:** **US D634,139 S**
(45) **Date of Patent:** **** Mar. 15, 2011**

(54) **TOOTHBRUSH HOLDER**

(76) Inventor: **Donald J. Volk**, Turlock, CA (US)

(**) Term: **14 Years**

(21) Appl. No.: **29/356,031**

(22) Filed: **Feb. 18, 2010**

(51) **LOC (9) Cl.** **23-02**

(52) **U.S. Cl.** **D6/534**

(58) **Field of Classification Search** D6/524,
D6/526, 527, 528, 534; 206/208, 228, 209,
206/209.1, 361, 362, 362.1, 362.2, 362.3;
211/13.1, 66, 70.6, 86.01, 87.01

See application file for complete search history.

(56) **References Cited**

U.S. PATENT DOCUMENTS

2,902,145	A	6/1958	Wagner	
3,233,743	A	2/1966	Di Tirro	
D241,200	S *	8/1976	Halsted	D6/534
D322,732	S *	12/1991	Stabe	D6/528
D323,090	S *	1/1992	Santarelli et al.	D6/534
D326,383	S *	5/1992	Tapocik	D6/534
D362,383	S *	9/1995	Boelling	D8/354
5,687,855	A	11/1997	Heller	
D422,822	S *	4/2000	Cayouette	D6/534
D439,781	S *	4/2001	Spore	D6/534
D539,582	S *	4/2007	Starck et al.	D6/534
D543,750	S *	6/2007	Hines	D6/534
D545,062	S *	6/2007	Nagoya	D6/534

7,228,976	B2	6/2007	Pretorius	
D567,558	S *	4/2008	Rubin	D6/534
D570,144	S *	6/2008	Scotfield	D6/534
D599,593	S *	9/2009	Ghiorghie	D6/534
D604,975	S *	12/2009	Racanelli	D6/534
D609,950	S *	2/2010	Yang et al.	D6/528

OTHER PUBLICATIONS

“Boutique Tissue Box” item 0481, The Carrousel Collection, Lenape Catalogue p. 2.*

* cited by examiner

Primary Examiner — Brian N Vinson

(74) *Attorney, Agent, or Firm* — Smith Gambrell & Russell LLP

(57) **CLAIM**

The ornamental design for a toothbrush holder, as shown and described.

DESCRIPTION

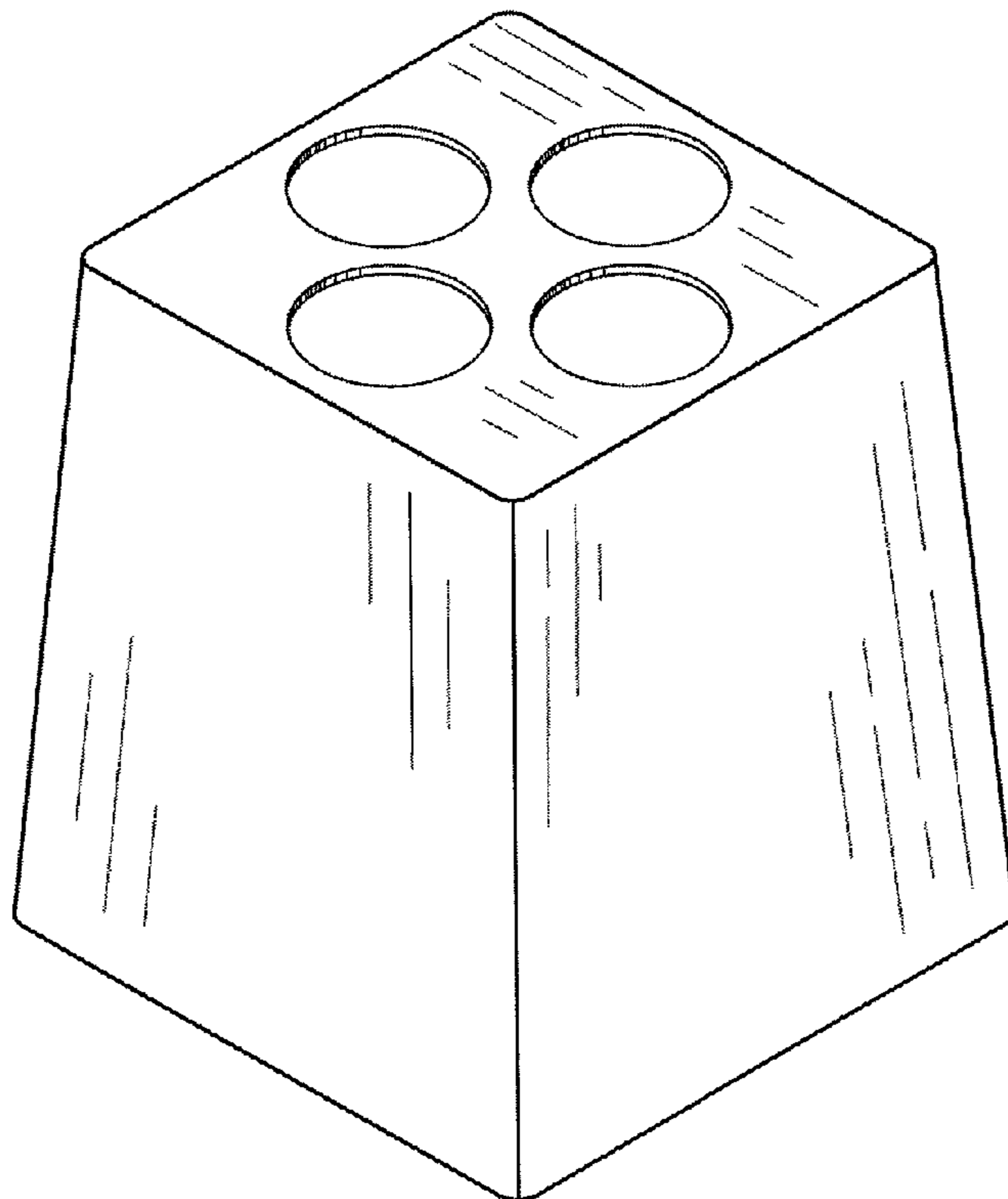
FIG. 1 is a perspective view of the toothbrush holder of the present design.

FIG. 2 is a top view of the toothbrush holder of the present design.

FIG. 3 is a side view of the toothbrush holder of the present design; and,

FIG. 4 is a bottom view of the toothbrush holder of the present design.

1 Claim, 3 Drawing Sheets



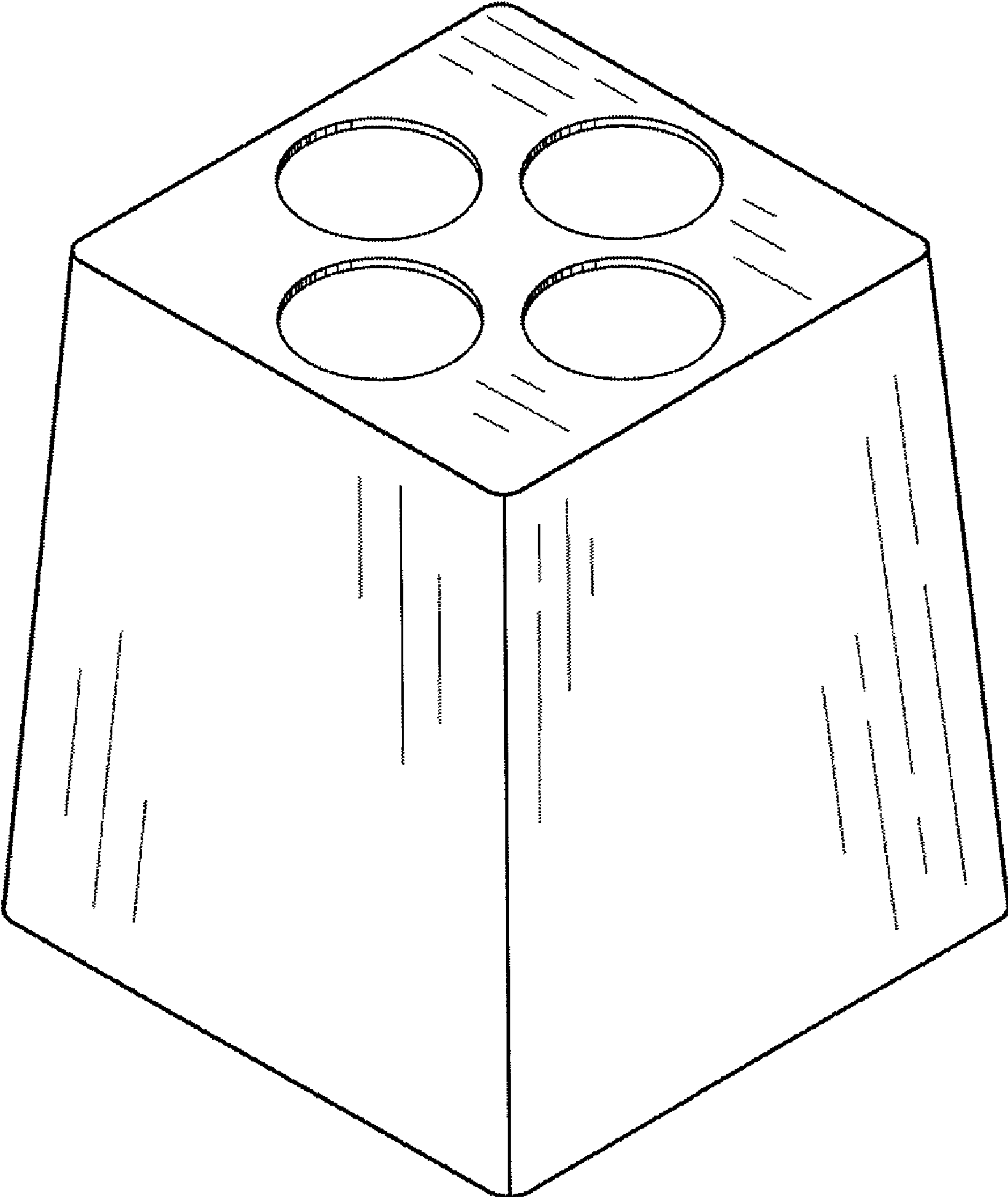


Fig. 1

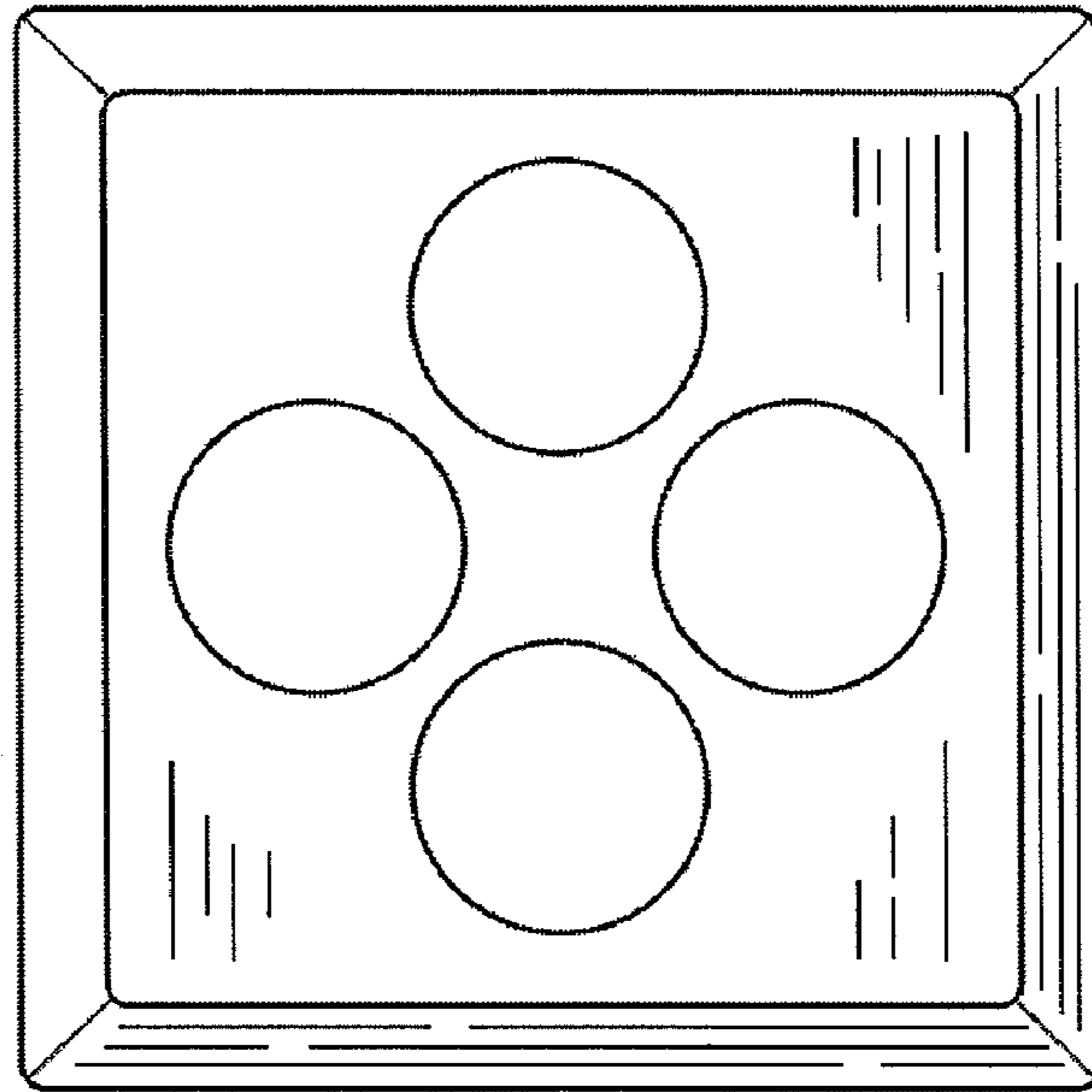


Fig. 2

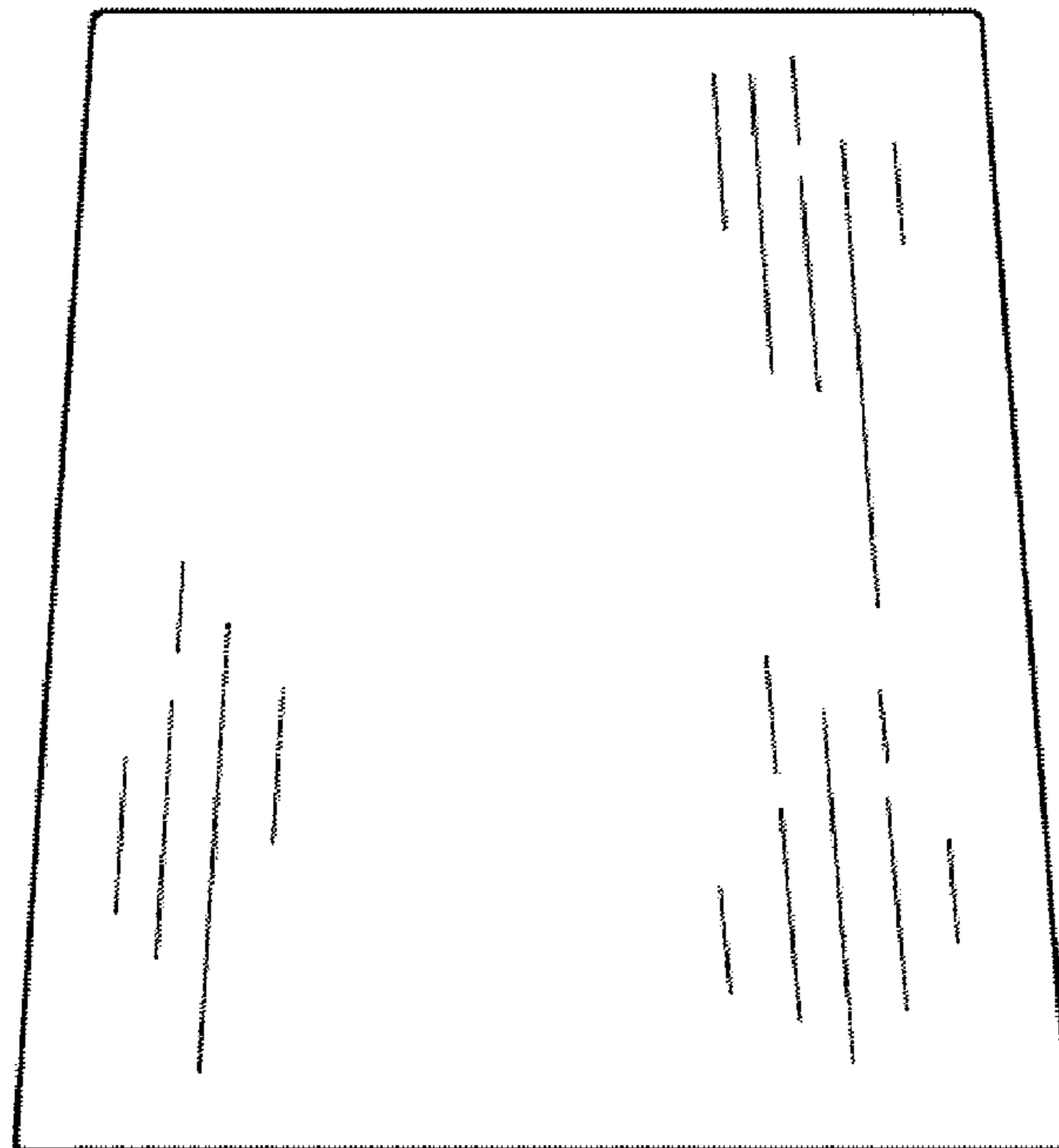


Fig. 3

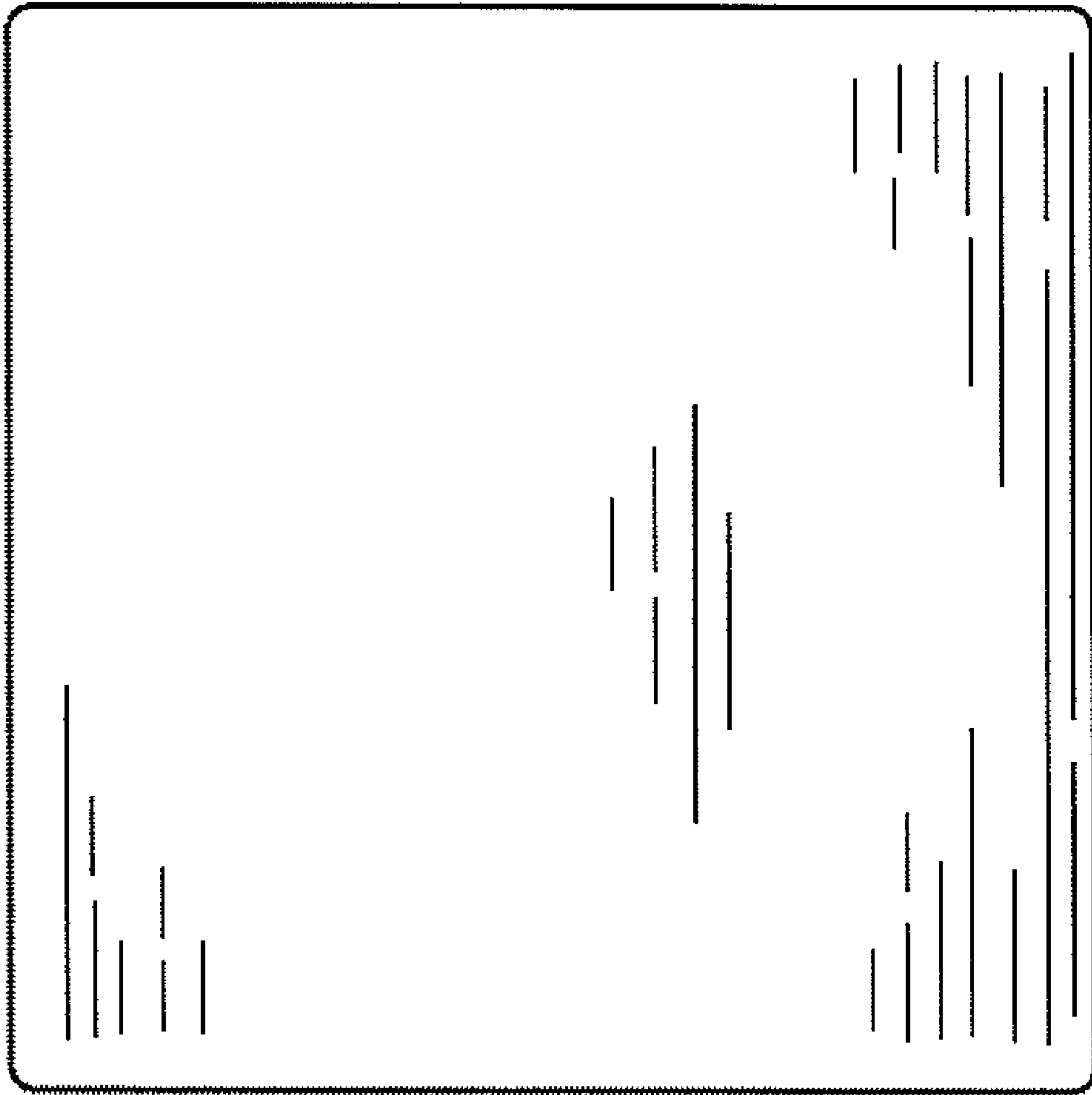


Fig. 4