



US00D634138S

(12) **United States Design Patent**
Wallace

(10) **Patent No.:** **US D634,138 S**

(45) **Date of Patent:** **** Mar. 15, 2011**

(54) **DISPENSER**

(76) Inventor: **Kathryn Wallace**, Avondale, AZ (US)

(**) Term: **14 Years**

(21) Appl. No.: **29/370,785**

(22) Filed: **Sep. 7, 2010**

(51) **LOC (9) Cl.** **20-02**

(52) **U.S. Cl.** **D6/518**

(58) **Field of Classification Search** D6/515-523;
206/225, 233, 389, 391; 211/13.1, 45; 242/570,
242/590; 248/309.1, 309.2, 905; 221/26,
221/33, 282-283; 222/173, 180

See application file for complete search history.

(56) **References Cited**

U.S. PATENT DOCUMENTS

D33,265 S	9/1900	Reeves	
D33,266 S	9/1900	Le Blanc	
3,837,595 A	9/1974	Boone	
D329,773 S *	9/1992	Addison et al.	D6/520
7,128,235 B2	10/2006	Haddad	
7,380,689 B2	6/2008	Parietti	
D600,959 S *	9/2009	Serfaty	D6/518
D609,039 S *	2/2010	Serfaty	D6/518

* cited by examiner

Primary Examiner — Brian N Vinson

(74) *Attorney, Agent, or Firm* — Paul R. Martin

(57) **CLAIM**

The ornamental design for a dispenser, as shown and described.

DESCRIPTION

FIG. 1 is a perspective view of my new design for a dispenser showing a lid for the wet section of the dispenser in open or raised position.

FIG. 2 is a perspective view of my new design for a dispenser showing a lid for the wet section in closed position.

FIG. 3 is a top plan view of the dispenser shown in FIG. 2.

FIG. 4 is a front elevational view of the dispenser shown in FIG. 2.

FIG. 5 is a bottom plan view of the dispenser shown in FIG. 2.

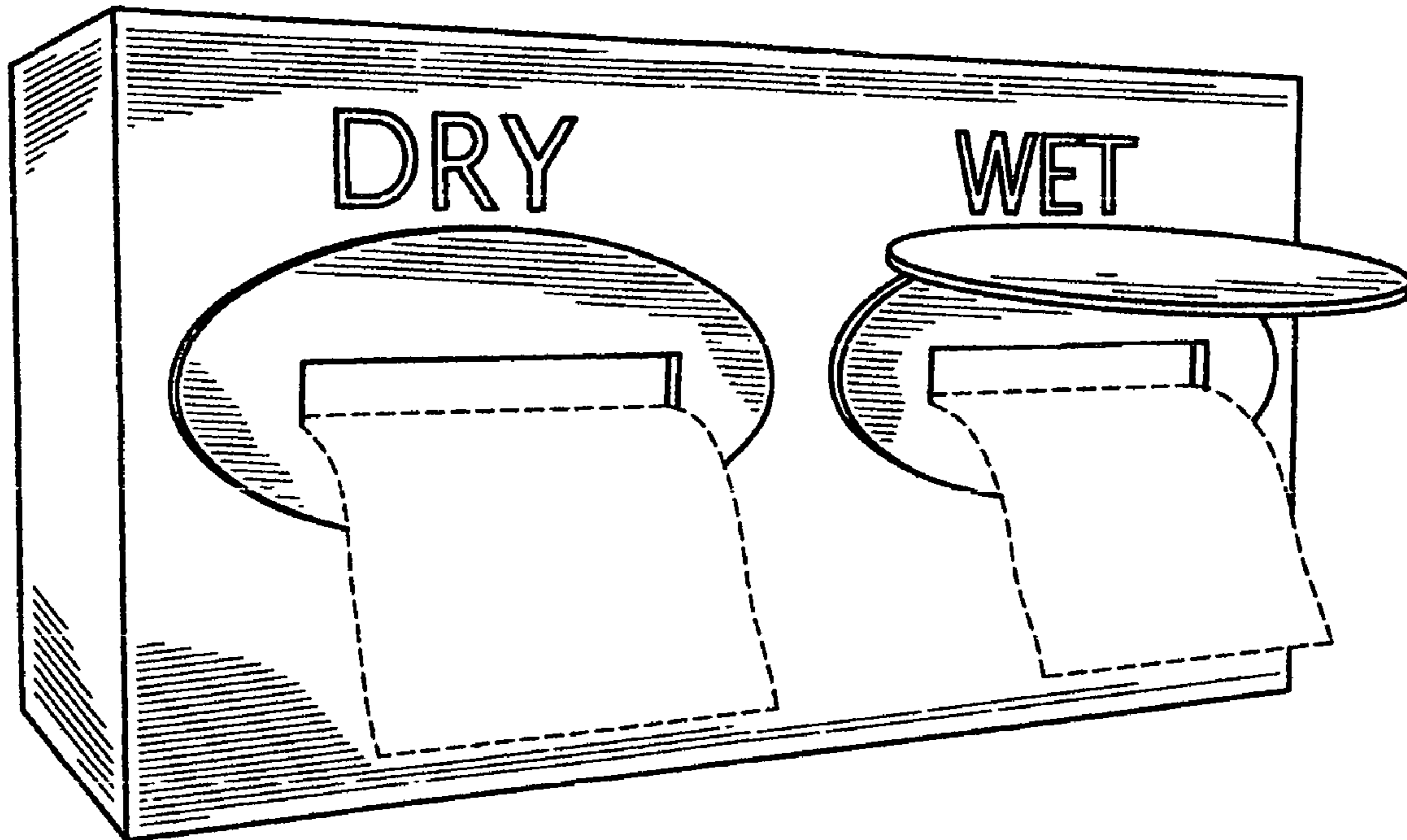
FIG. 6 is a left side elevational view of the dispenser shown in FIG. 2.

FIG. 7 is a right side elevational view of the dispenser shown in FIG. 2; and,

FIG. 8 is an elevational view of the back side of the dispenser shown in FIG. 2.

The broken line elements shown in FIG. 1, are environmental, and form no part of my new design.

1 Claim, 3 Drawing Sheets



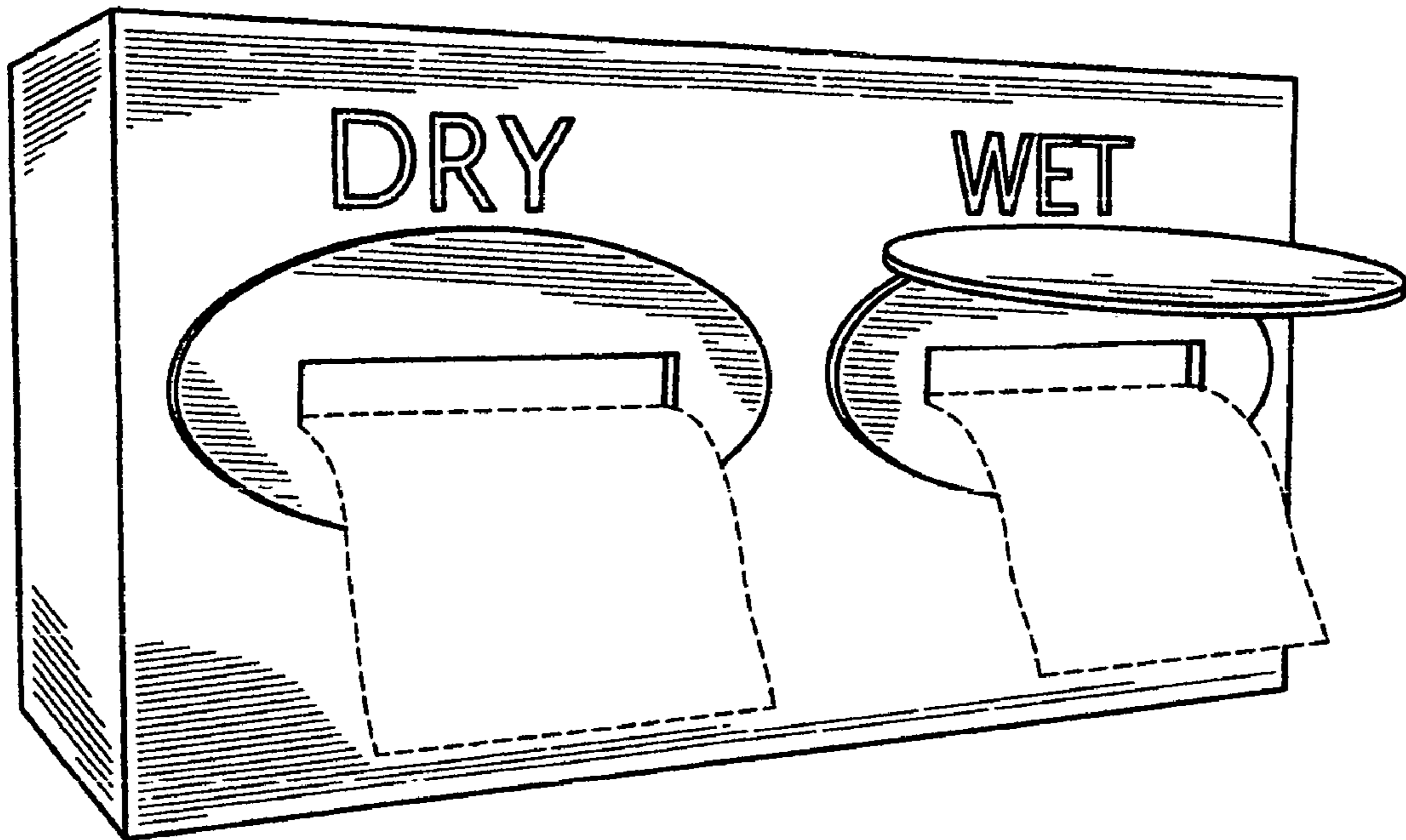


FIG. 1

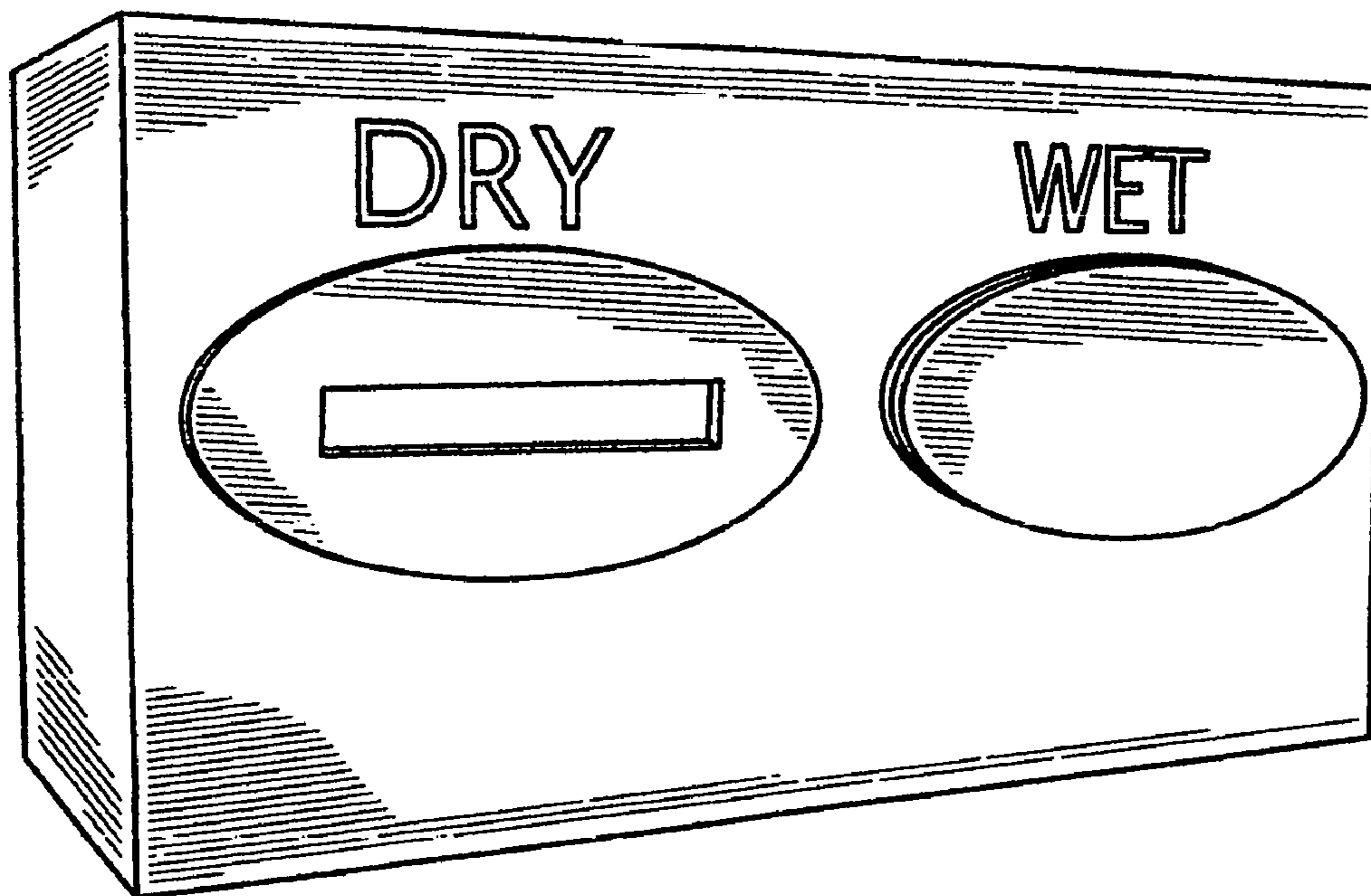


FIG. 2

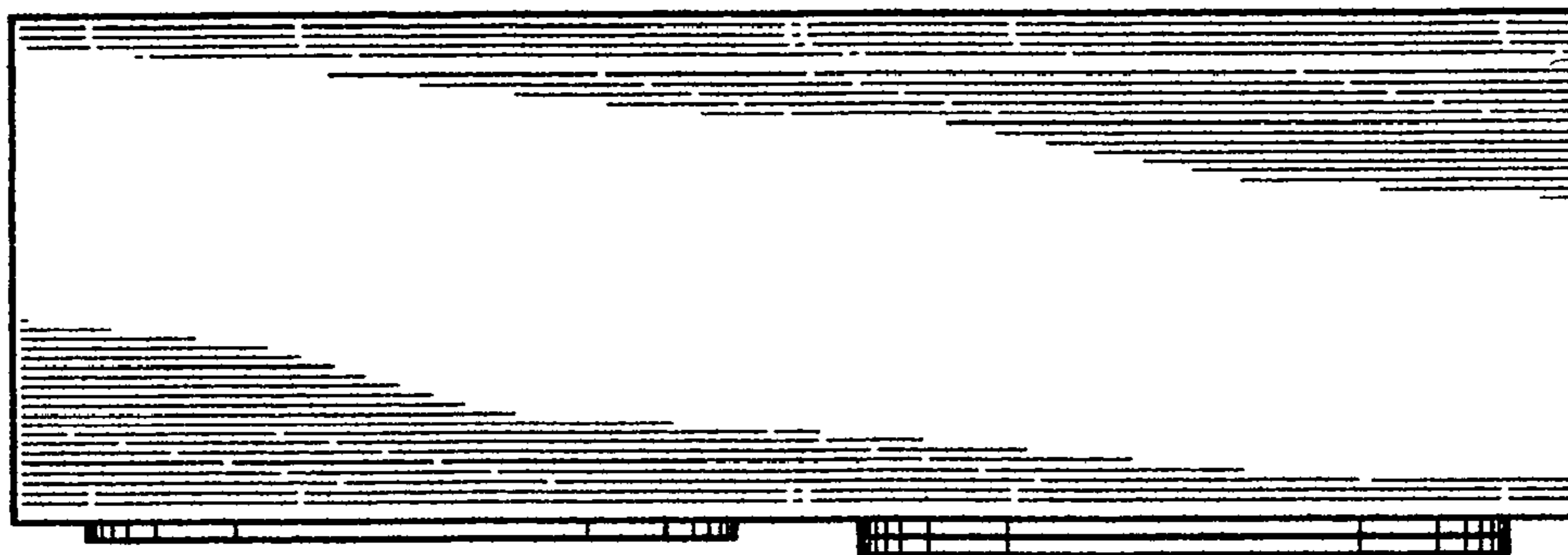


FIG. 4

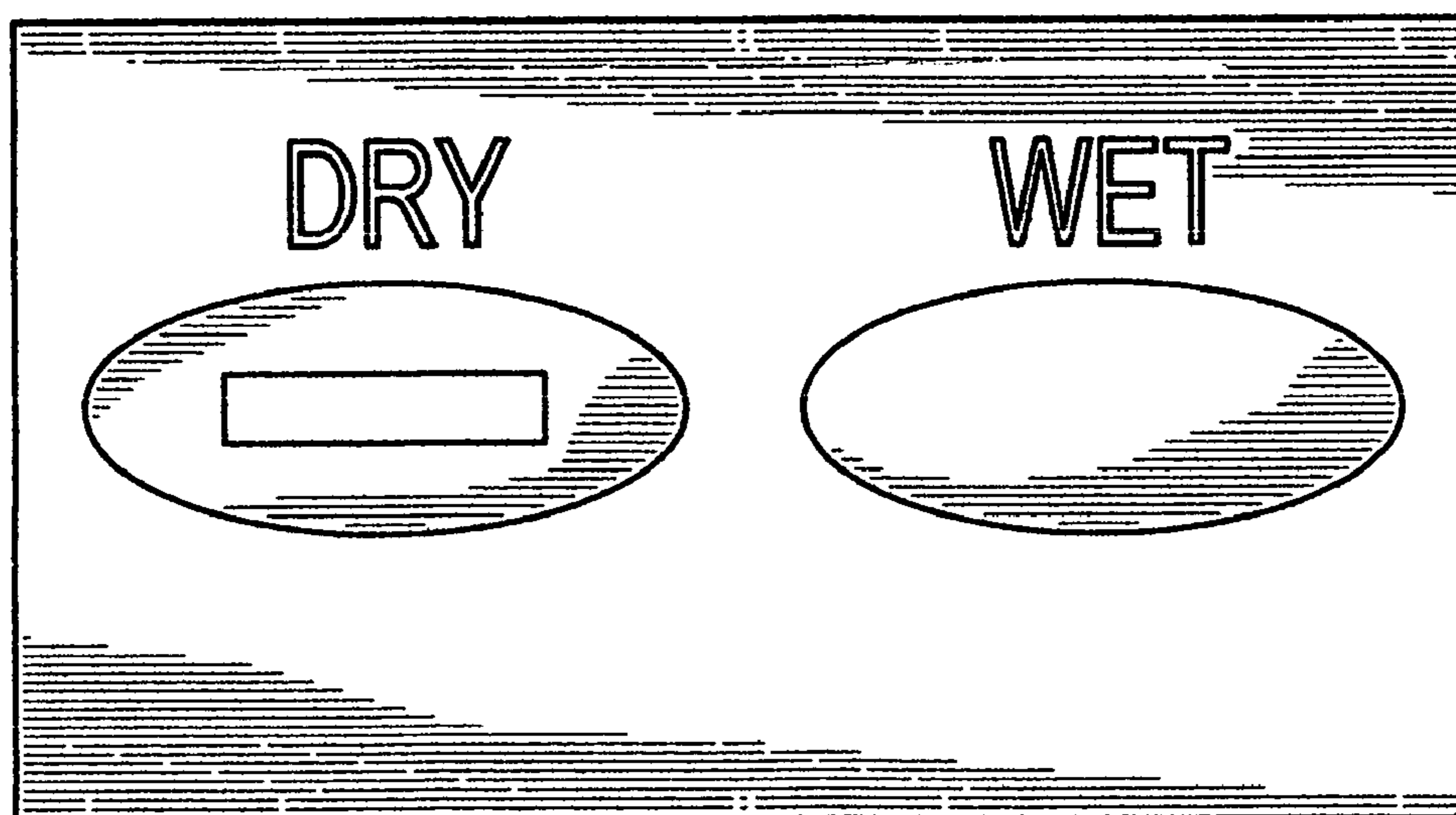


FIG. 3

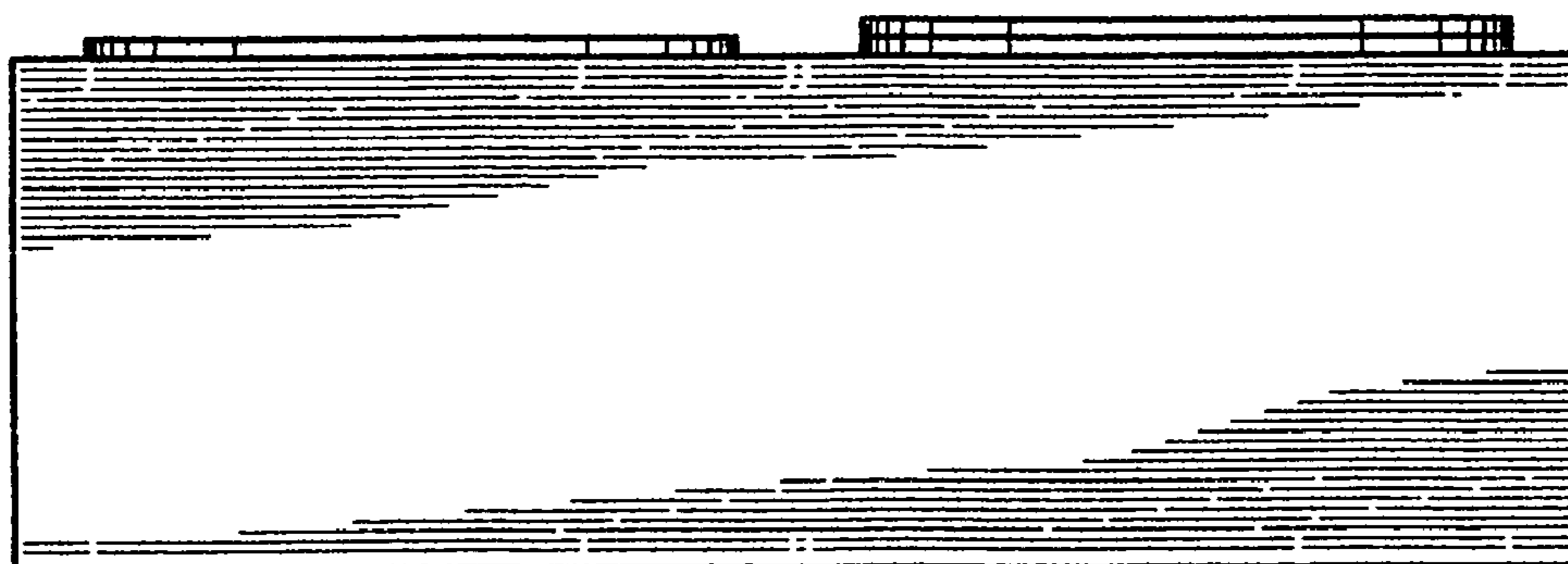


FIG. 5

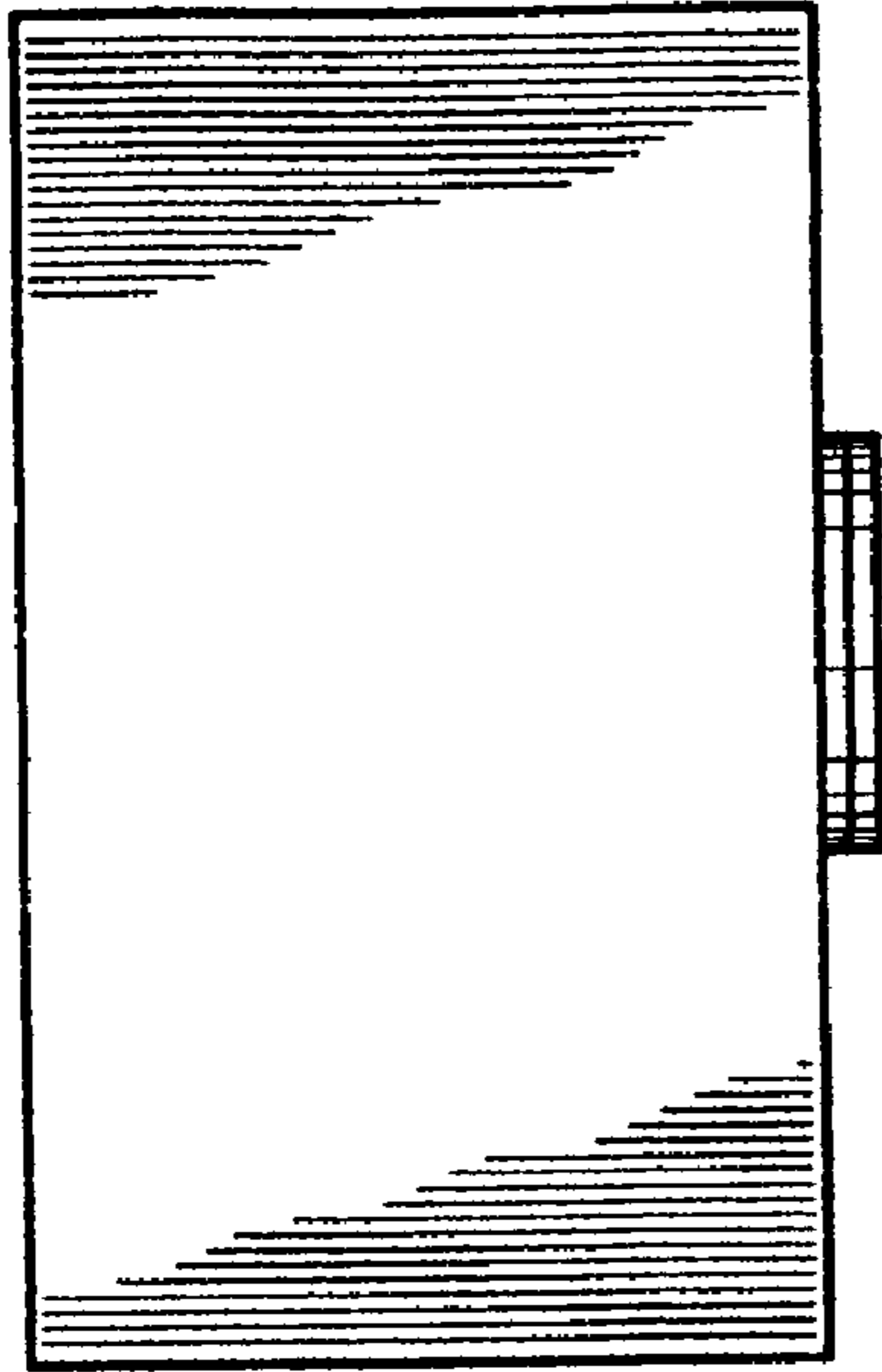


FIG. 6

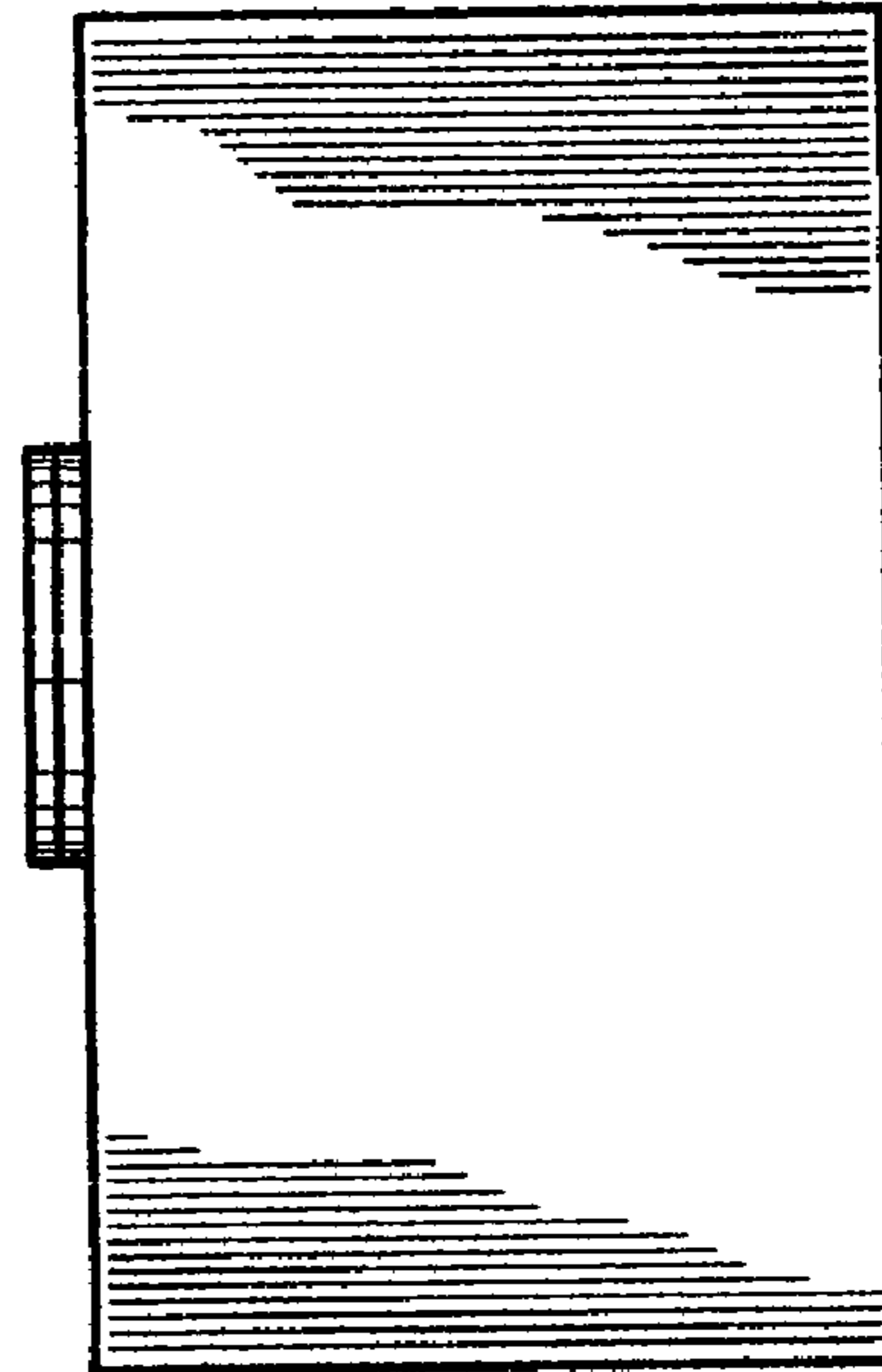


FIG. 7

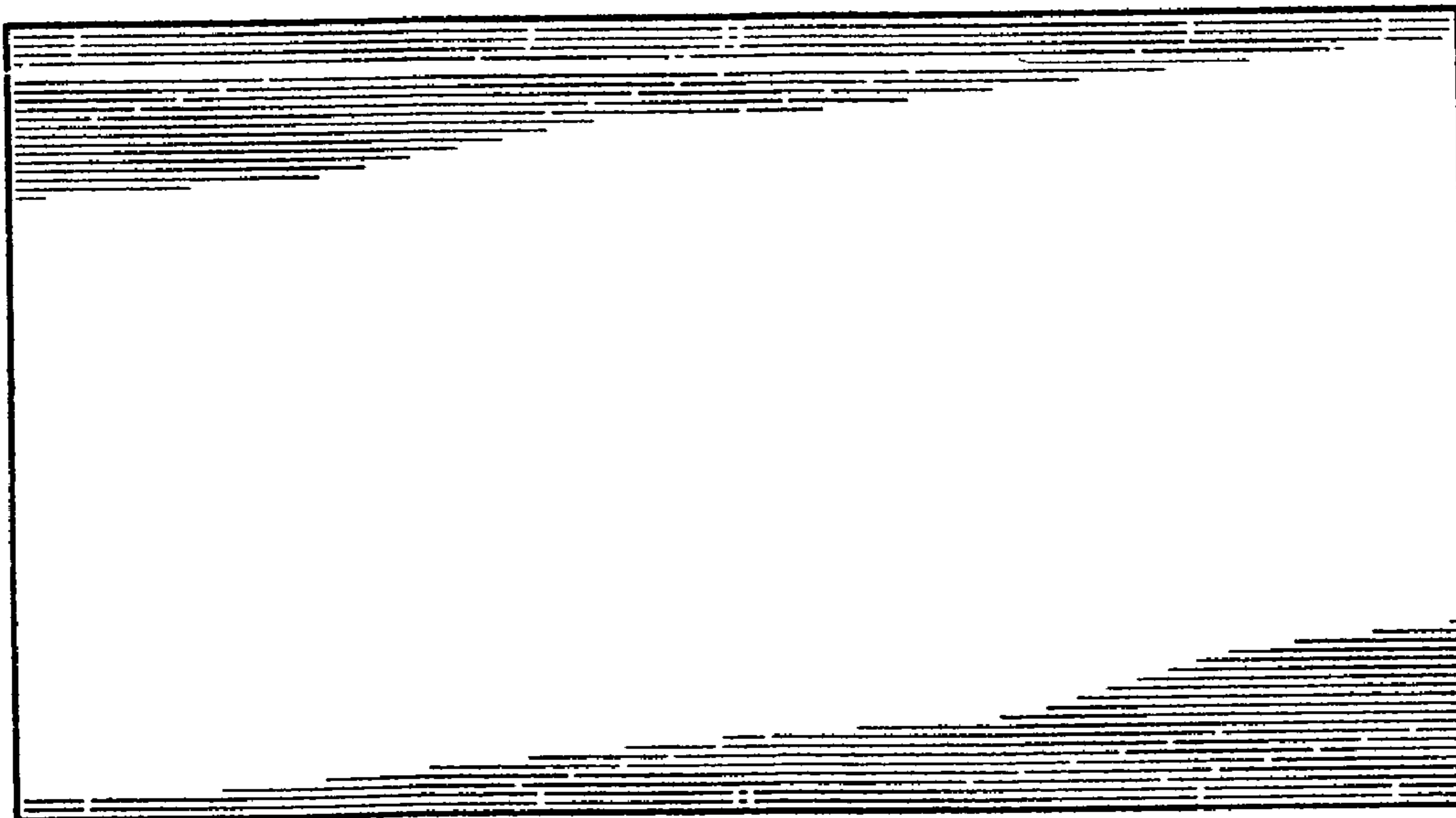


FIG. 8