



US00D634136S

(12) **United States Design Patent**
Maier-Hunke

(10) **Patent No.:** **US D634,136 S**
(45) **Date of Patent:** **** Mar. 15, 2011**

(54) **STAND**

(75) Inventor: **Horst-Werner Maier-Hunke**, Iserlohn (DE)

(73) Assignee: **Durable Hunke & Jochheim GmbH & Co. KG**, Iserlohn (DE)

(**) Term: **14 Years**

(21) Appl. No.: **29/293,292**

(22) Filed: **Nov. 14, 2007**

(51) **LOC (9) Cl.** **06-04**

(52) **U.S. Cl.** **D6/449; D6/509**

(58) **Field of Classification Search** D6/509,
D6/314, 491, 300, 310, 449; 40/745, 700,
40/734, 454, 661, 539; 211/51; 248/472,
248/441.1; 400/718, 716, 717

See application file for complete search history.

(56) **References Cited**

U.S. PATENT DOCUMENTS

1,144,341 A * 6/1915 Anderson 248/472

(Continued)

Primary Examiner—Philip S Hyder

Assistant Examiner—Sydney R Buffalow

(74) *Attorney, Agent, or Firm*—Mark P. Stone

(57) **CLAIM**

The ornamental design for a stand, as shown and described.

DESCRIPTION

FIG. 1 is a perspective view, taken from the side, illustrating my new design for a stand in which the stand is supporting a transparent sheet cover thereof;

FIG. 2 is a front elevation al view of the stand illustrated in FIG. 1, supporting a transparent sheet cover thereof;

FIG. 3 is a front elevation al view of the stand illustrated in FIG. 1, without a transparent sheet cover supported thereof;

FIG. 4 is a rear elevation al view of the stand illustrated in FIG. 1, supporting the transparent sheet cover. The rear elevational view shown in FIG. 4 is identical to the front elevational view shown by FIG. 2;

FIG. 5 is a perspective of the stand illustrated in FIG. 1, supporting a transparent sheet cover thereof;

FIG. 6 is a perspective view of the stand illustrated in FIG. 1, without a transparent sheet cover thereof;

FIG. 7 is a perspective view of the stand illustrated in FIG. 1, viewed from the side, without a transparent sheet cover thereof;

FIG. 8 is a side elevational view of the stand illustrated in FIG. 1, taken from the opposite side illustrated in FIG. 1, shown supporting the transparent sheet cover. The side view illustrated in FIG. 8 is identical to the opposed side view illustrated in FIG. 1;

FIG. 9 is a front elevational view of a second embodiment of the stand, illustrating the stand supporting a transparent sheet cover of different dimensions than the transparent sheet cover illustrated in FIGS. 2, 4 and 5;

FIG. 10 is a front elevational view of the stand illustrated in FIG. 9, without a transparent sheet cover supported thereof;

FIG. 11 is a rear elevational view of the stand illustrated in FIG. 9, supporting a transparent sheet cover. The rear elevational view shown in FIG. 11 is identical to the front elevational view shown in FIG. 9;

FIG. 12 is a perspective view of the stand illustrated in FIG. 9, supporting the transparent sheet cover thereof;

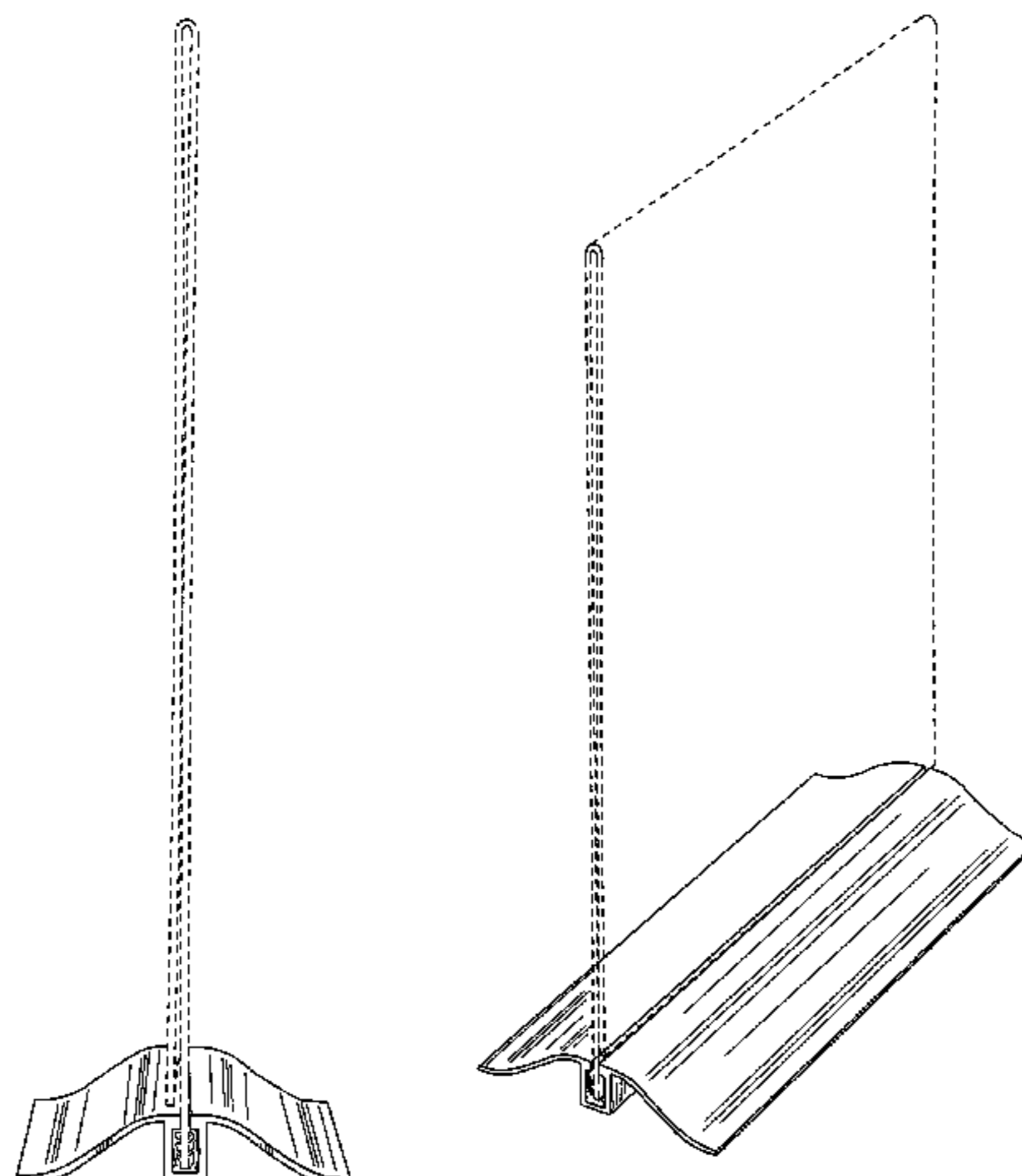
FIG. 13 is a perspective view of the stand illustrated in FIG. 9, without a transparent sheet cover supported thereof;

FIG. 14 is a perspective view of the stand illustrated in FIG. 9, viewed from the side, without the transparent sheet cover supported thereby; and,

FIG. 15 is a perspective view of the stand illustrated in FIG. 9, viewed from the side, supporting a transparent sheet cover.

The broken lines showing a transparent sheet cover are provided for environmental purposes only and form no part of the claimed design.

1 Claim, 15 Drawing Sheets



US D634,136 S

Page 2

U.S. PATENT DOCUMENTS

| | | | | | | | | | |
|-----------|-----|---------|---------------|--------|-----------|------|--------|----------------|-----------|
| 2,050,136 | A * | 8/1936 | Tucker et al. | 40/734 | 5,727,696 | A * | 3/1998 | Valiulis | 211/51 |
| 2,449,911 | A * | 9/1948 | Roth | 40/539 | D396,562 | S * | 8/1998 | Kenney | D6/314 |
| D158,879 | S * | 6/1950 | Moeller | D6/314 | 5,857,791 | A * | 1/1999 | Kenney | 400/718 |
| D176,582 | S * | 1/1956 | Bacon | D6/509 | 6,070,349 | A * | 6/2000 | Fantone et al. | 40/454 |
| D179,204 | S * | 11/1956 | Levie | D6/509 | 6,412,743 | B1 * | 7/2002 | Fell | 248/441.1 |
| D179,205 | S * | 11/1956 | Levie | D6/509 | D462,841 | S * | 9/2002 | Wilson | D6/300 |
| 3,086,658 | A * | 4/1963 | Palmer | 211/50 | 7,000,881 | B2 * | 2/2006 | Fell | 248/441.1 |
| 3,956,837 | A * | 5/1976 | Itano | 40/745 | D595,980 | S * | 7/2009 | Walters | D6/491 |
| 5,390,437 | A * | 2/1995 | Pearson | 40/661 | | | | | |

* cited by examiner

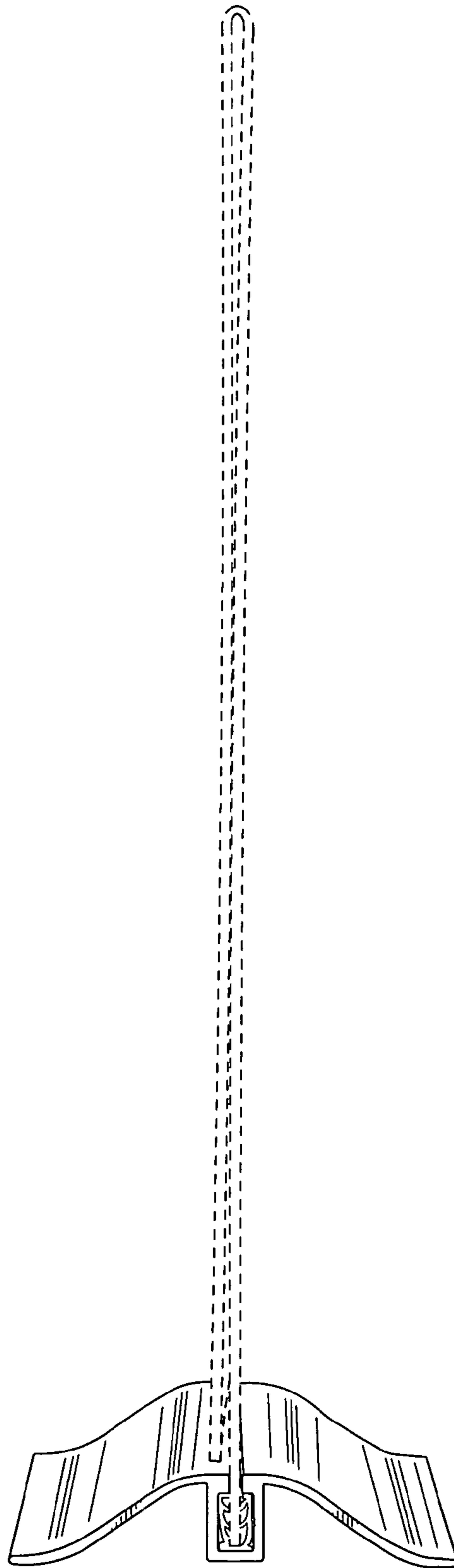


FIG. 1



FIG. 2

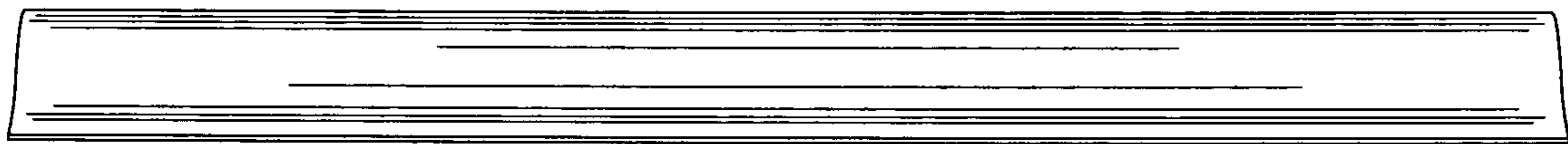


FIG. 3



FIG. 4

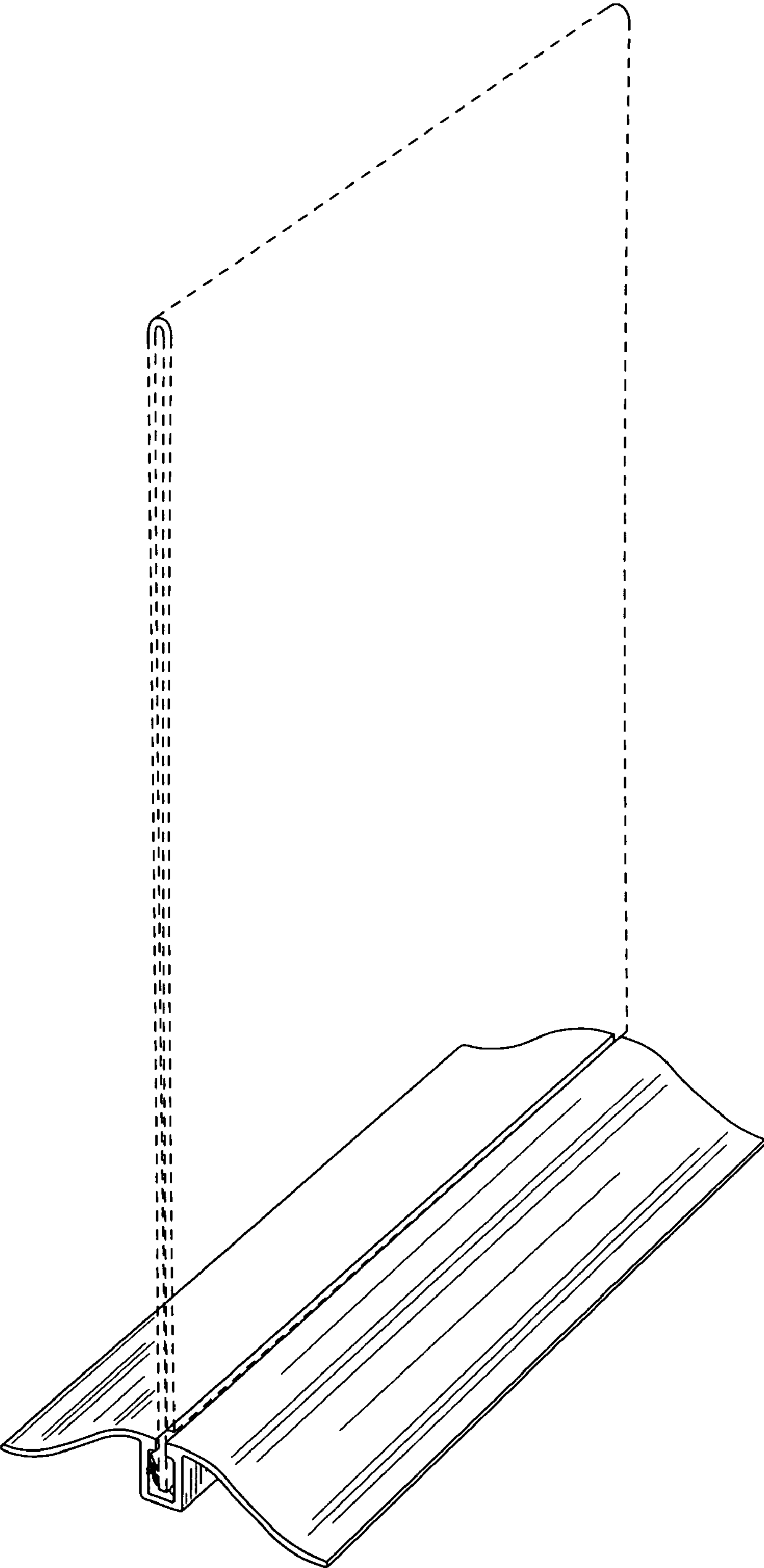


FIG. 5

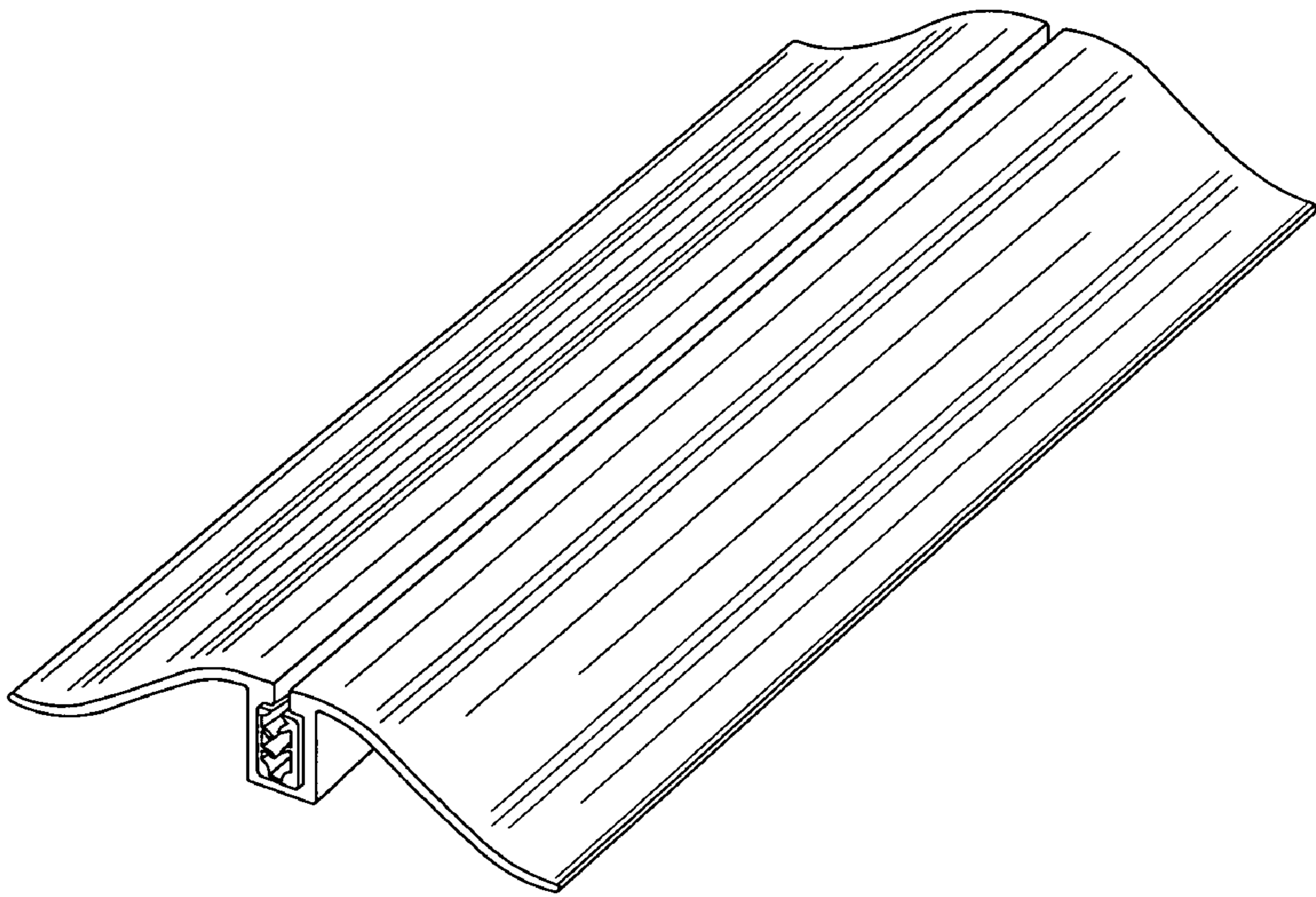


FIG. 6

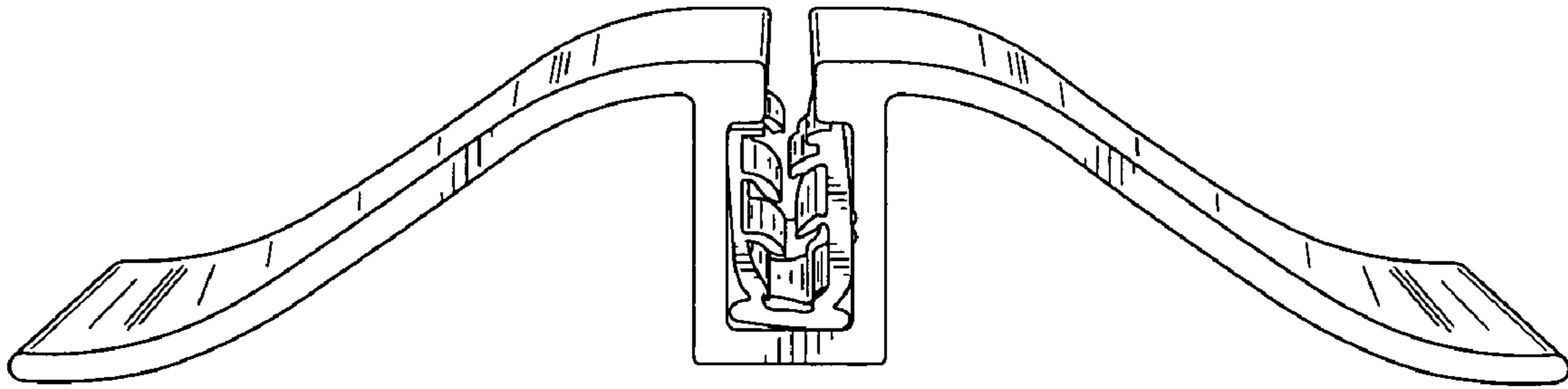


FIG. 7

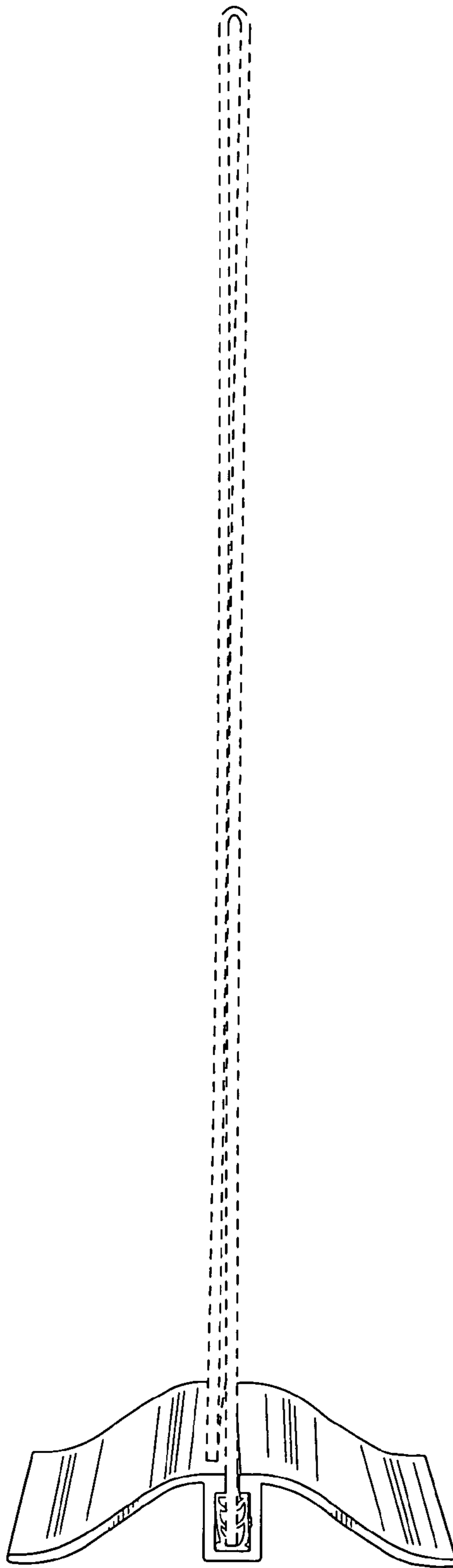


FIG. 8

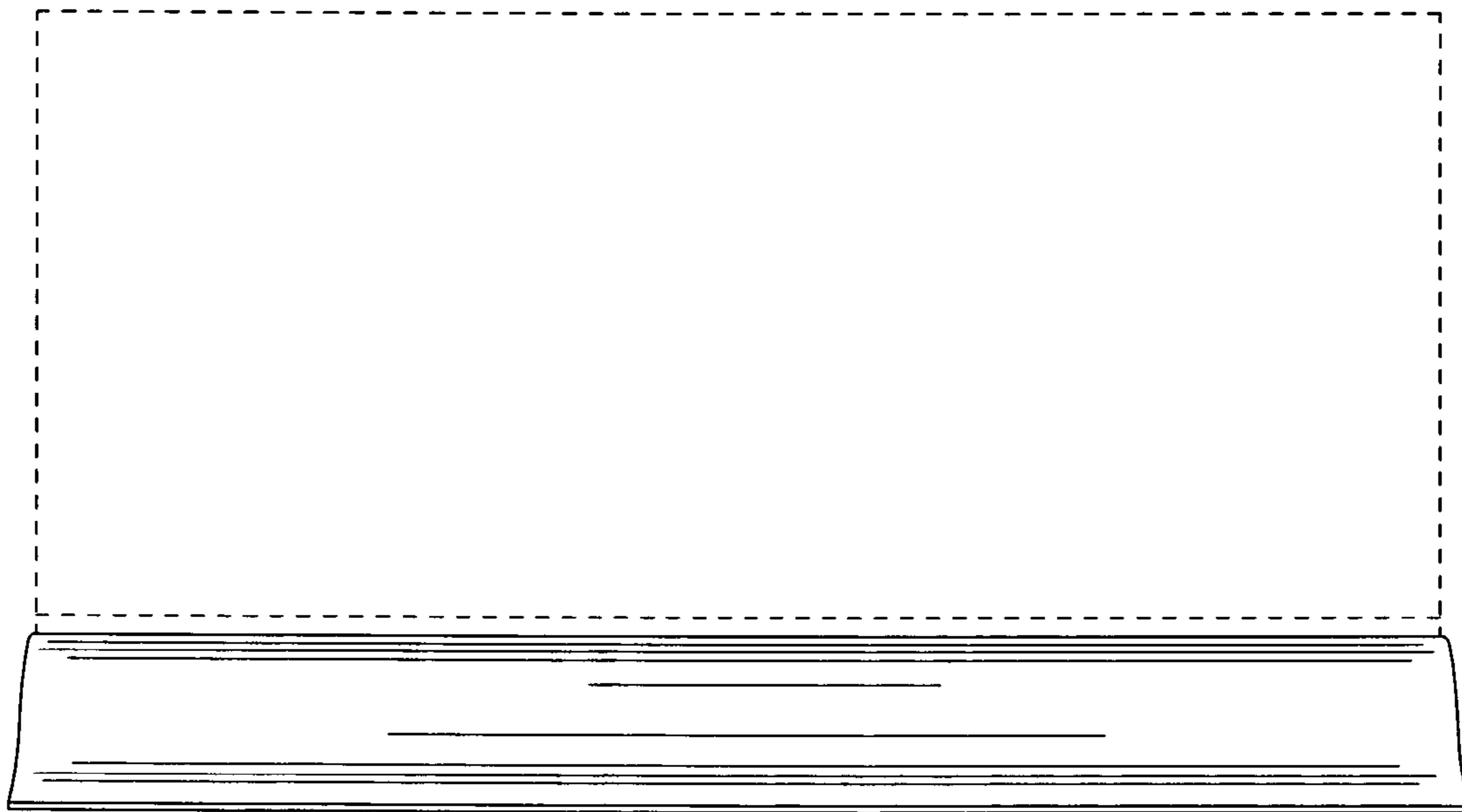


FIG. 9

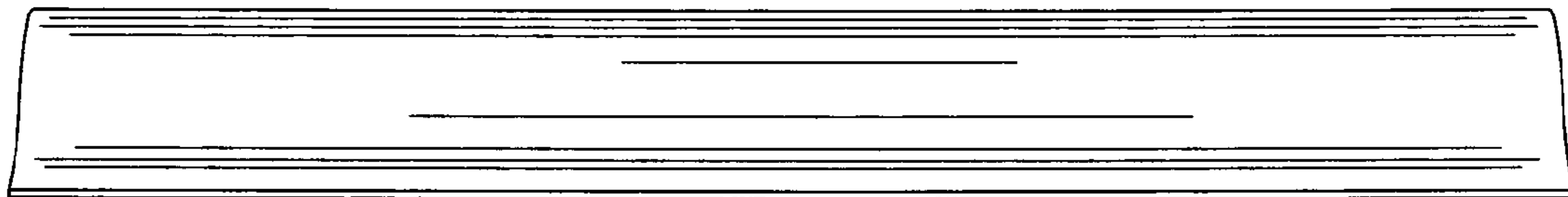


FIG. 10

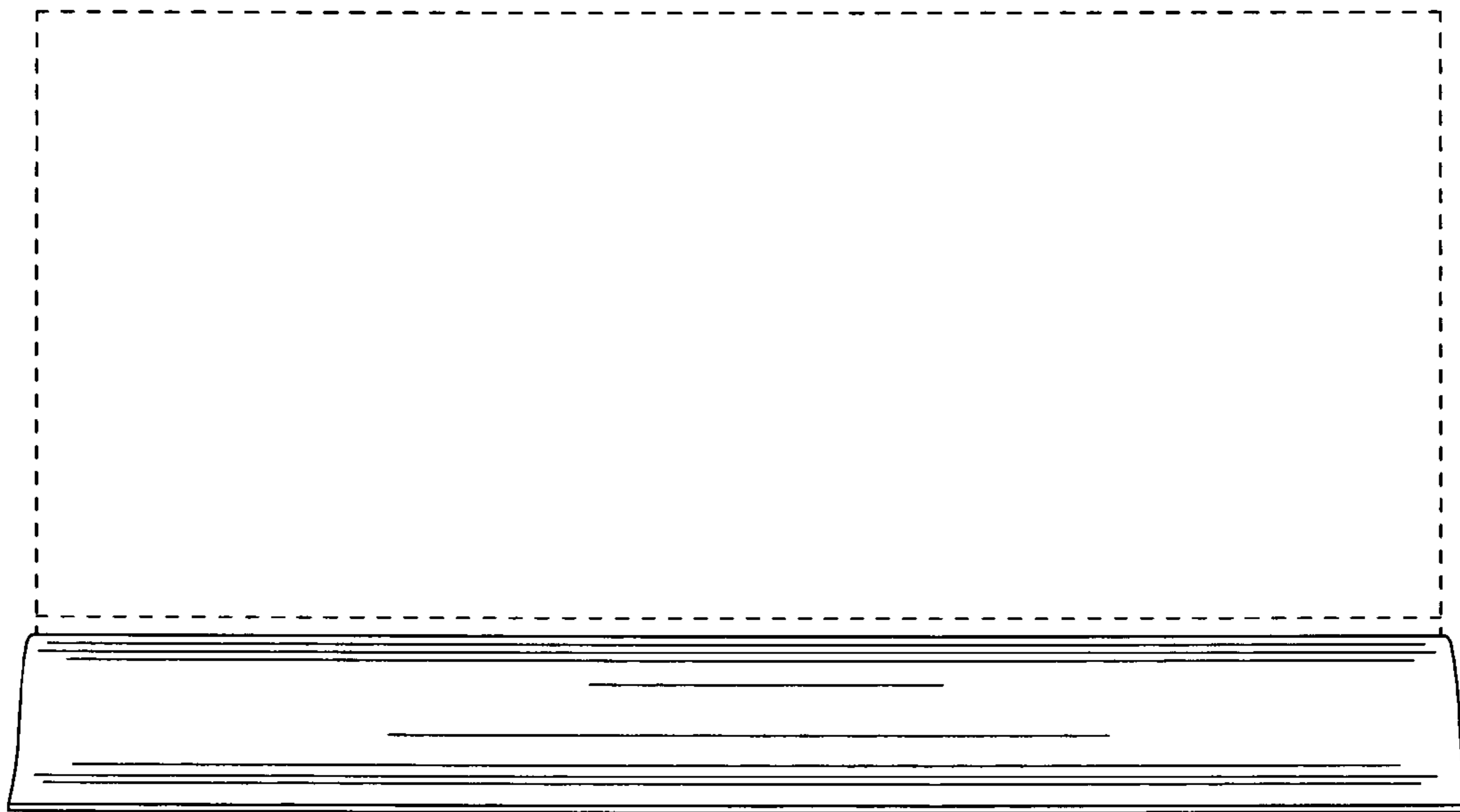


FIG. 11

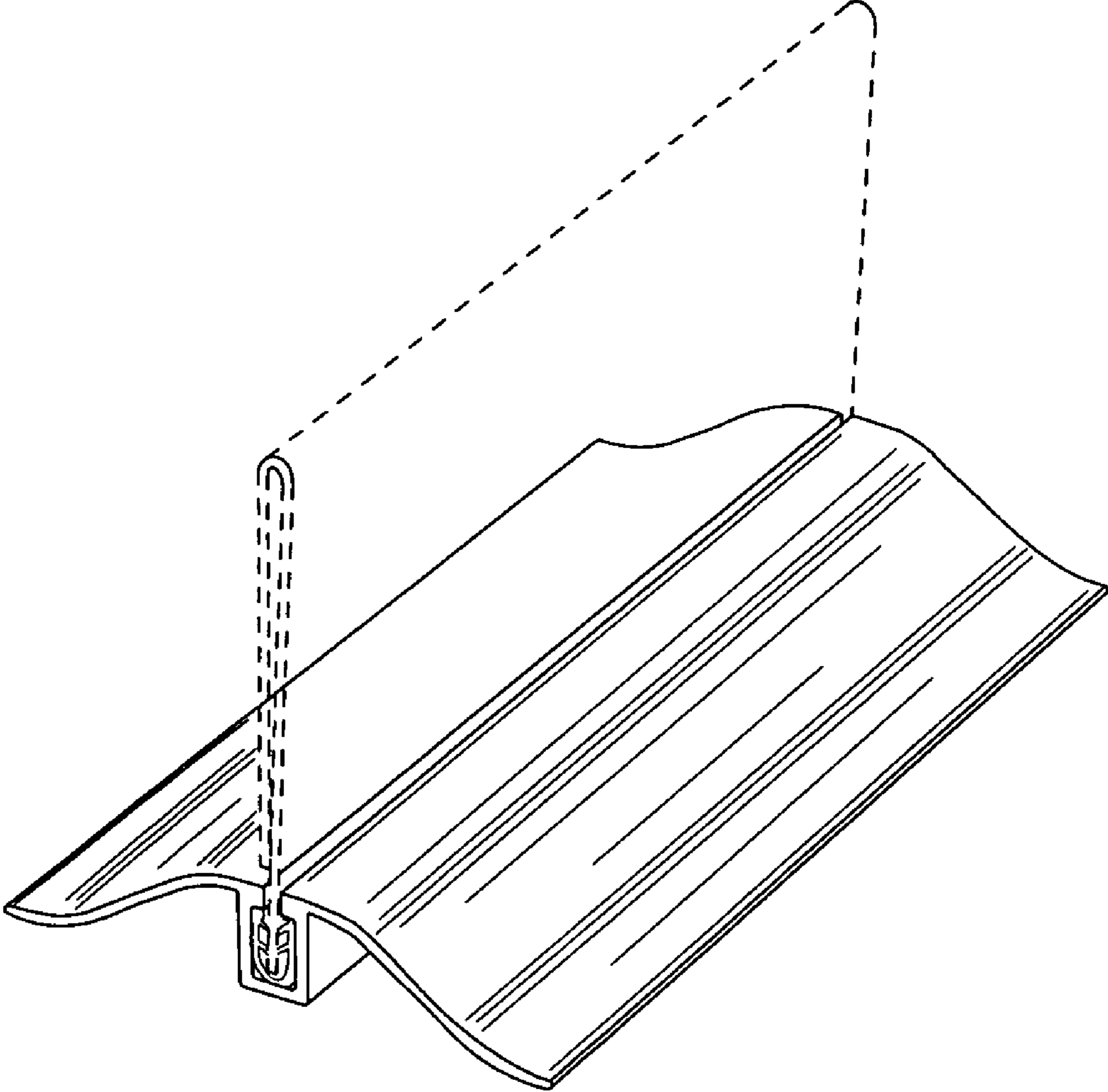


FIG. 12

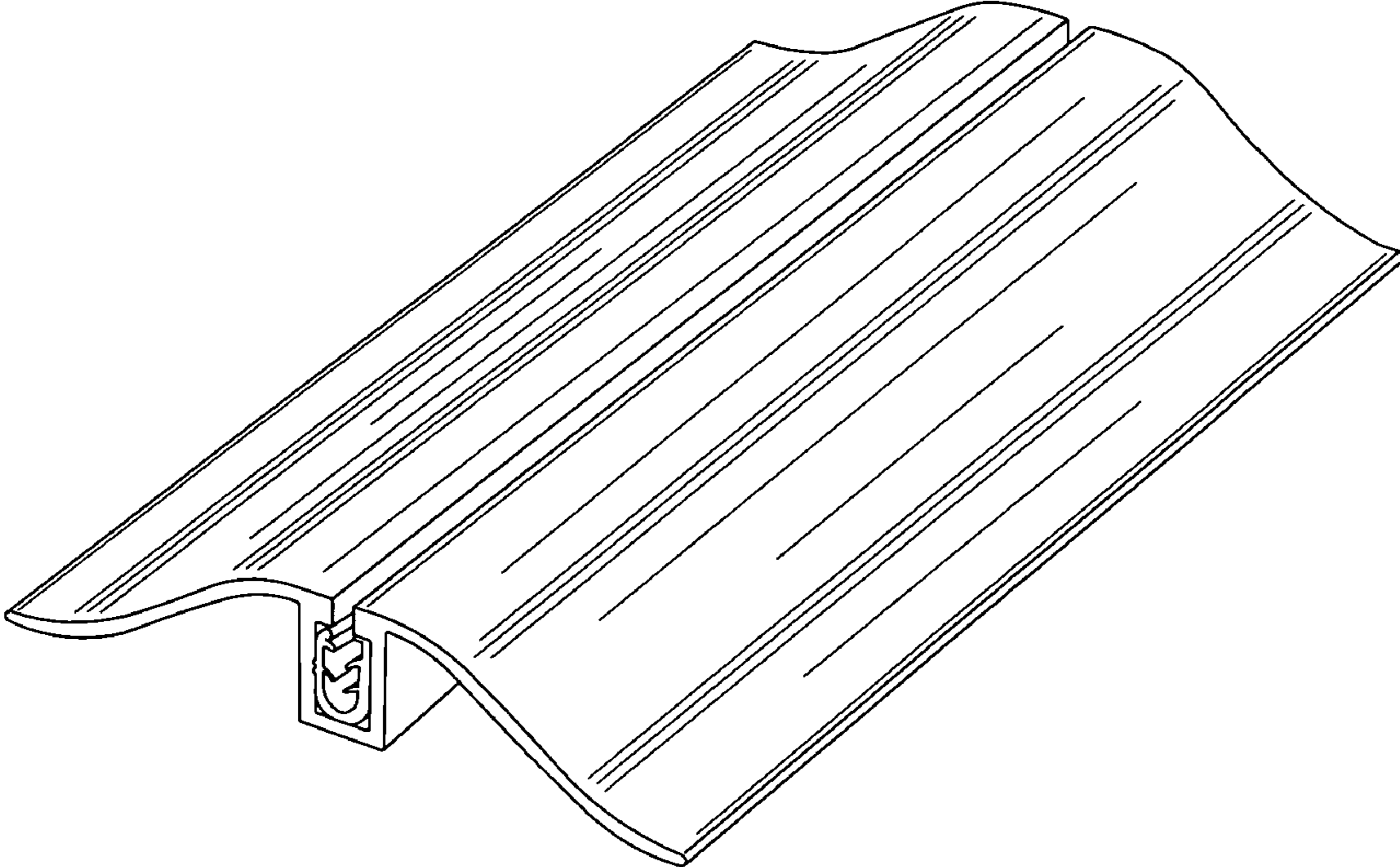


FIG. 13

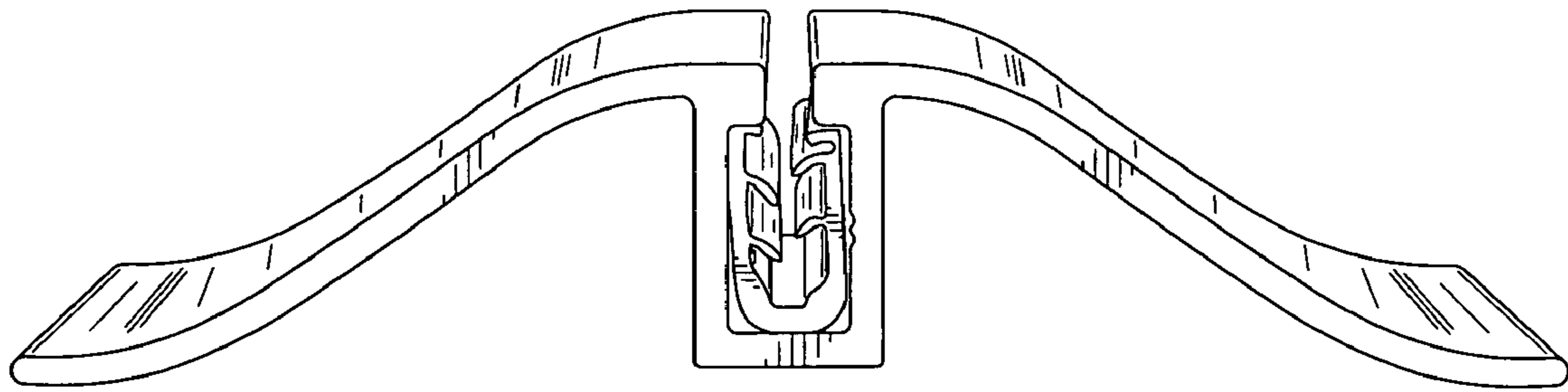


FIG. 14

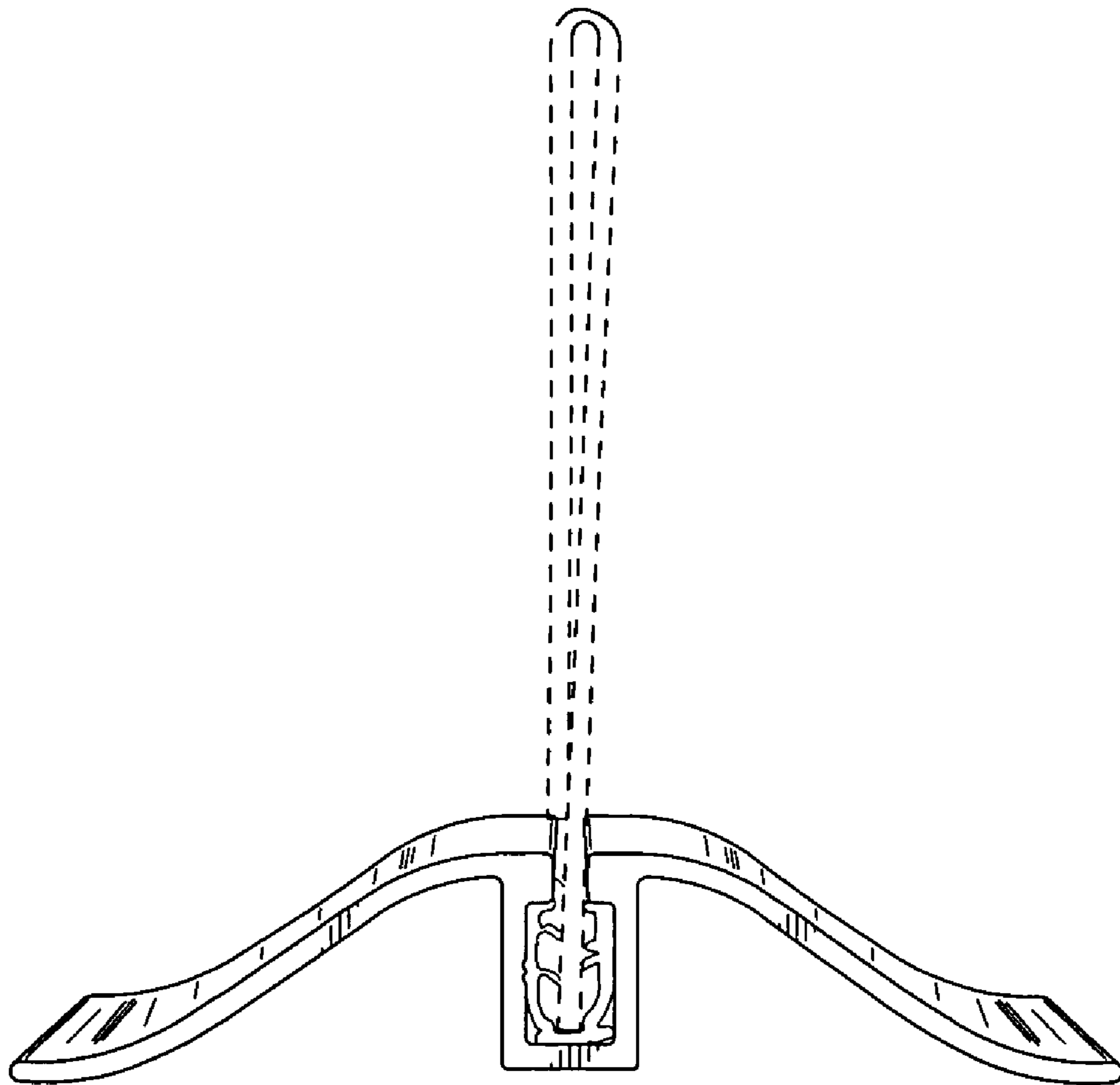


FIG. 15