



US00D634132S

(12) **United States Design Patent**  
**Schultz**

(10) **Patent No.:** **US D634,132 S**  
(45) **Date of Patent:** **\*\* Mar. 15, 2011**

(54) **ARMLESS BAR CHAIR**

(76) Inventor: **Peter Schultz**, Barto, PA (US)

(\*\*) Term: **14 Years**

(21) Appl. No.: **29/315,709**

(22) Filed: **Jul. 16, 2009**

(51) **LOC (9) Cl.** ..... **06-01**

(52) **U.S. Cl.** ..... **D6/360; D6/375**

(58) **Field of Classification Search** ..... D6/334-336,  
D6/360, 371-373, 374, 375, 376, 379, 380,  
D6/499, 500-502; 297/445.1, 446.1, 447.1,  
297/447.2, 448.1, 449.1, 452.12, 452.13,  
297/452.19, 440.11; 248/188, 188.1

See application file for complete search history.

(56) **References Cited**

**U.S. PATENT DOCUMENTS**

D183,009	S	*	6/1958	Mackintosh	.....	D6/375
3,471,200	A	*	10/1969	Morrison	.....	297/440.11
D215,837	S	*	11/1969	Stephens	.....	D6/375
D216,786	S	*	3/1970	Schultz	.....	D6/375
4,119,286	A	*	10/1978	Barril	.....	248/188
5,180,208	A	*	1/1993	Lawandi	.....	297/440.11
D339,006	S	*	9/1993	Schneider	.....	D6/375
5,911,478	A	*	6/1999	Goodman	.....	297/440.11
D468,918	S	*	1/2003	de Blois	.....	D6/360
6,695,408	B1	*	2/2004	Nobbe	.....	297/440.11
D498,937	S	*	11/2004	Messier et al.	.....	D6/375
D555,379	S	*	11/2007	Ziliani	.....	D6/375
D581,686	S	*	12/2008	Miller et al.	.....	D6/360
D581,688	S	*	12/2008	Miller et al.	.....	D6/375

\* cited by examiner

*Primary Examiner* — Mimosa De

(74) *Attorney, Agent, or Firm* — Thomas A. O'Rourke;  
Bodner & O'Rourke, LLP

(57) **CLAIM**

I claim the ornamental design for an armless bar chair, as shown and described.

**DESCRIPTION**

FIG. 1 is a perspective view of an armless bar chair of the present invention;

FIG. 2 is a front view of an armless bar chair of the present invention;

FIG. 3 is a back view of an armless bar chair of the present invention;

FIG. 4 is a left side view of an armless bar chair of the present invention;

FIG. 5 is a right side view of an armless bar chair of the present invention;

FIG. 6 is a top view of an armless bar chair of the present invention;

FIG. 7 is a bottom view of an armless bar chair of the present invention;

FIG. 8 is a perspective view of a second embodiment of an armless bar chair of the present invention;

FIG. 9 is a front view of the armless bar chair of FIG. 8;

FIG. 10 is a back view of the armless bar chair of FIG. 8;

FIG. 11 is a left side view of the armless bar chair of FIG. 8;

FIG. 12 is a right side view of the armless bar chair of FIG. 8;

FIG. 13 is a top view of the armless bar chair of FIG. 8;

FIG. 14 is a bottom view of the armless bar chair of FIG. 8;

FIG. 15 is a perspective view of a third embodiment of an armless bar chair of the present invention;

FIG. 16 is a front view of the armless bar chair of FIG. 15;

FIG. 17 is a back view of the armless bar chair of FIG. 15;

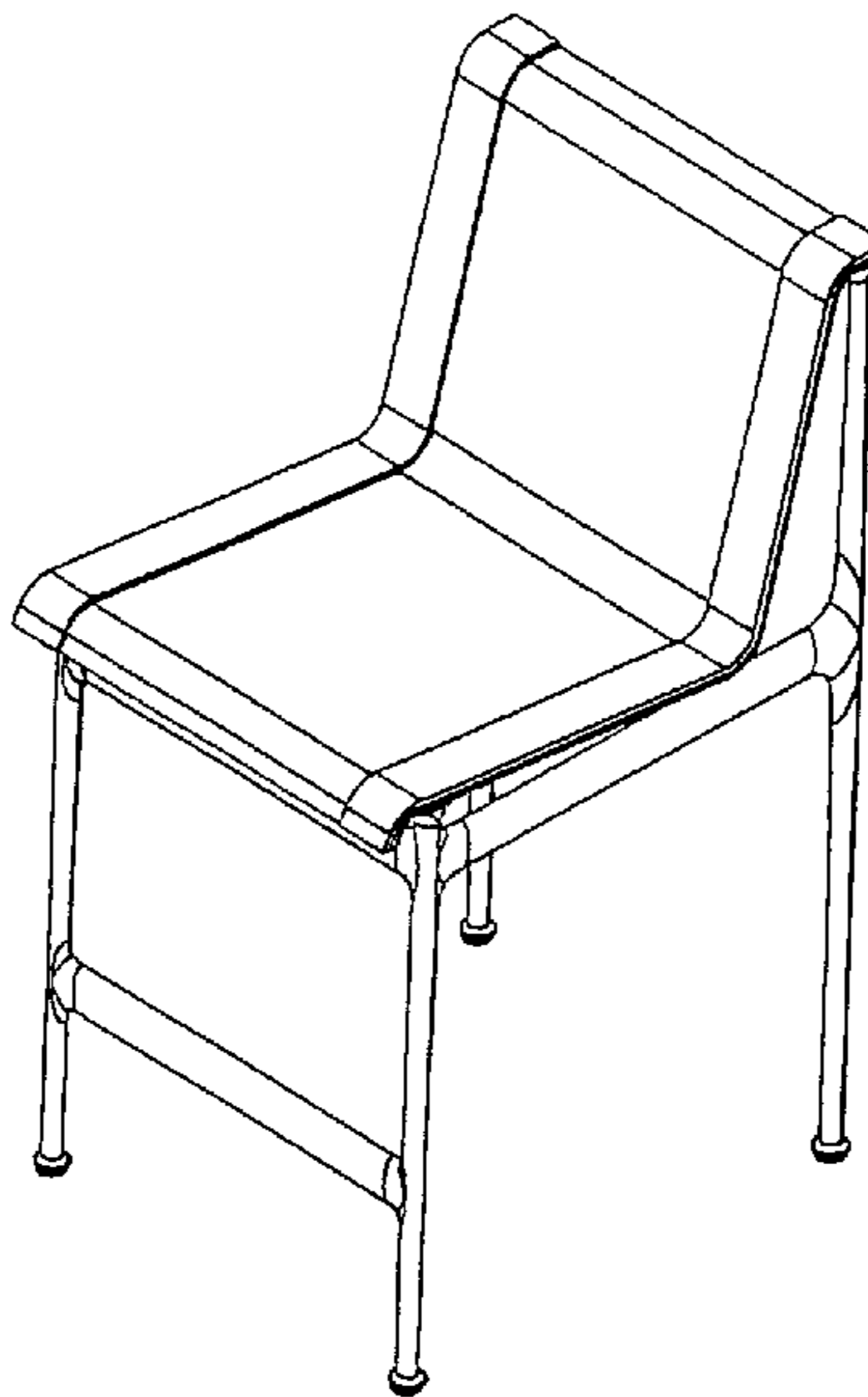
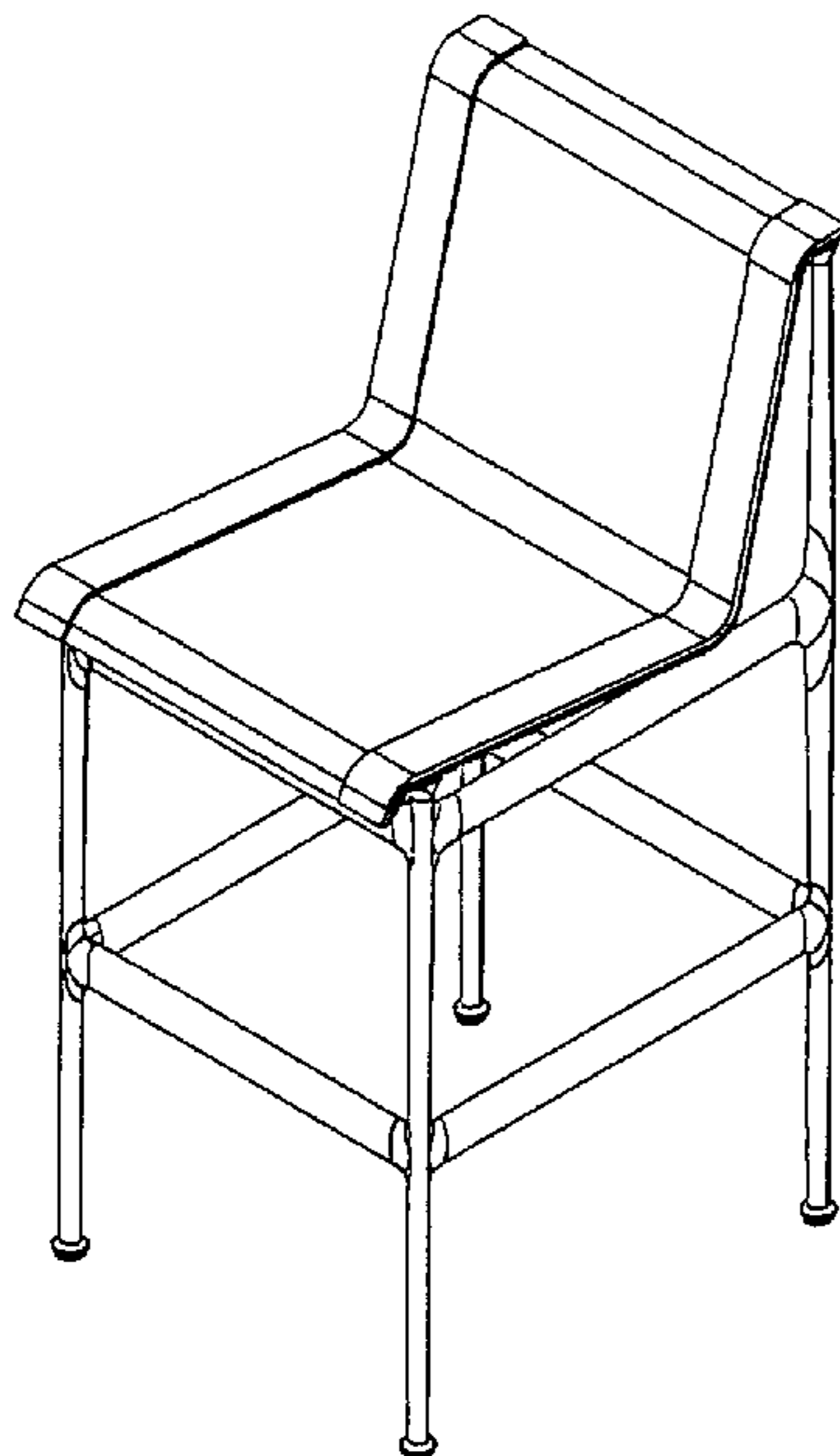
FIG. 18 is a left side view of the armless bar chair of FIG. 15;

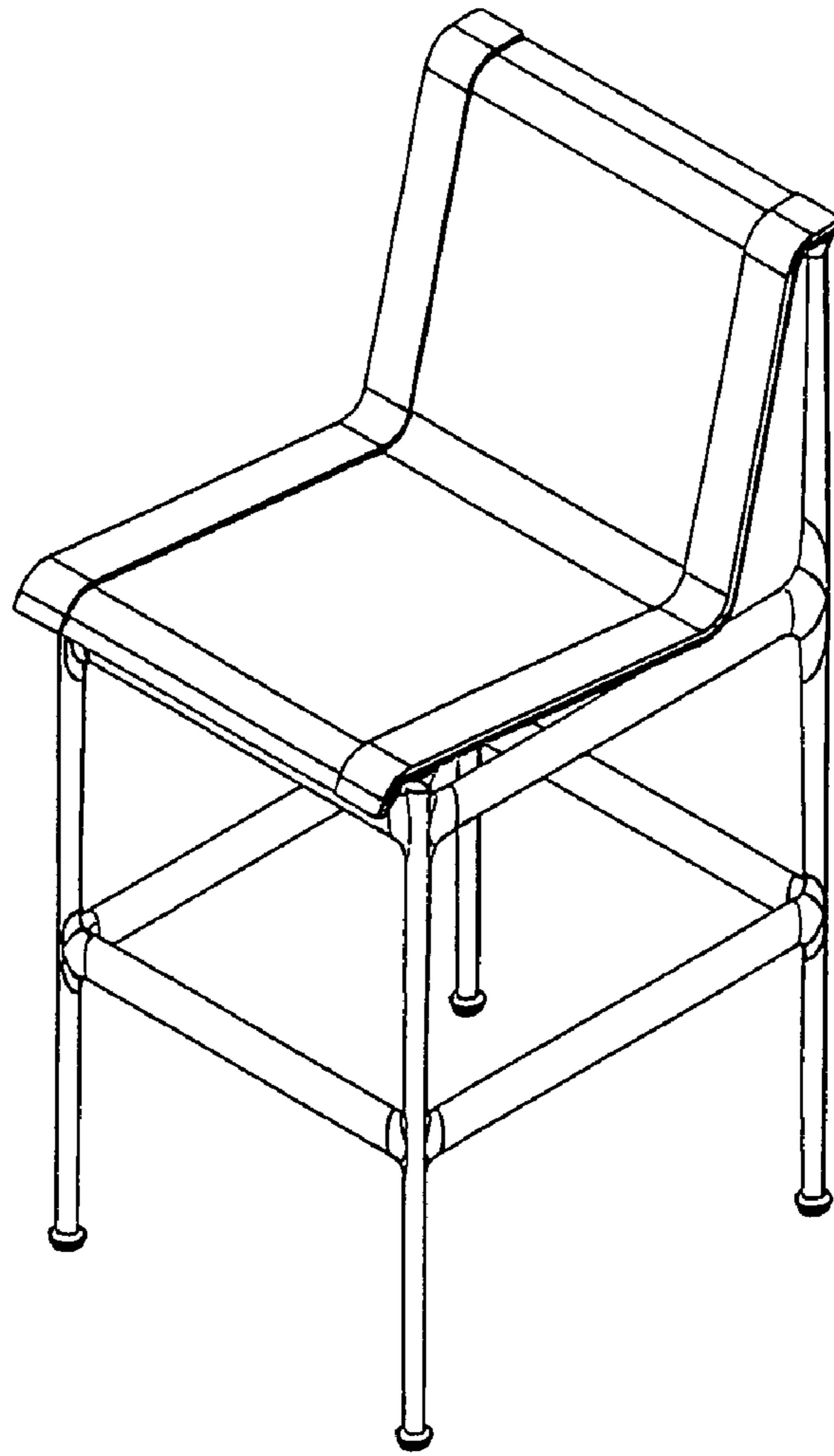
FIG. 19 is a right side view of the armless bar chair of FIG. 15;

FIG. 20 is a top view of the armless bar chair of FIG. 15; and,

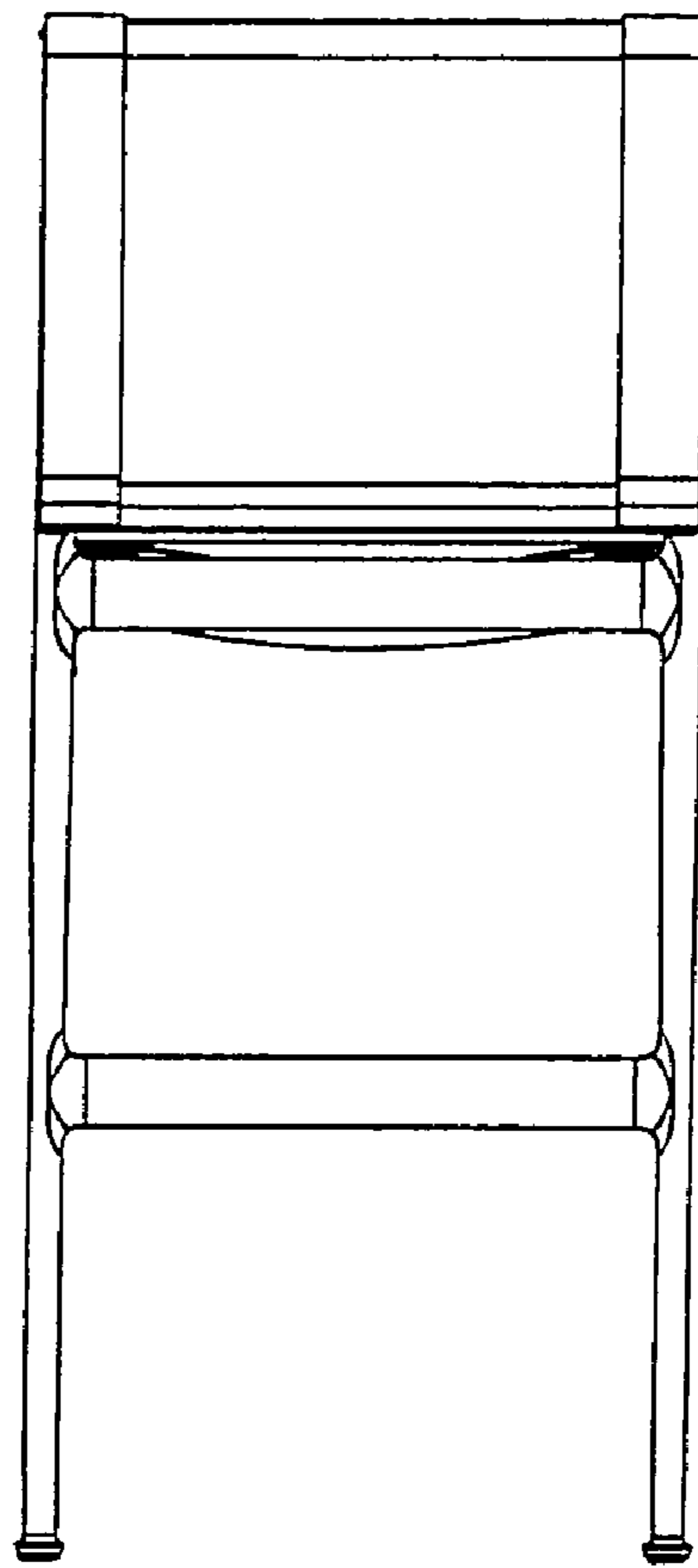
FIG. 21 is a bottom view of the armless bar chair of FIG. 15.

**1 Claim, 21 Drawing Sheets**





**Fig. 1**



**Fig.2**

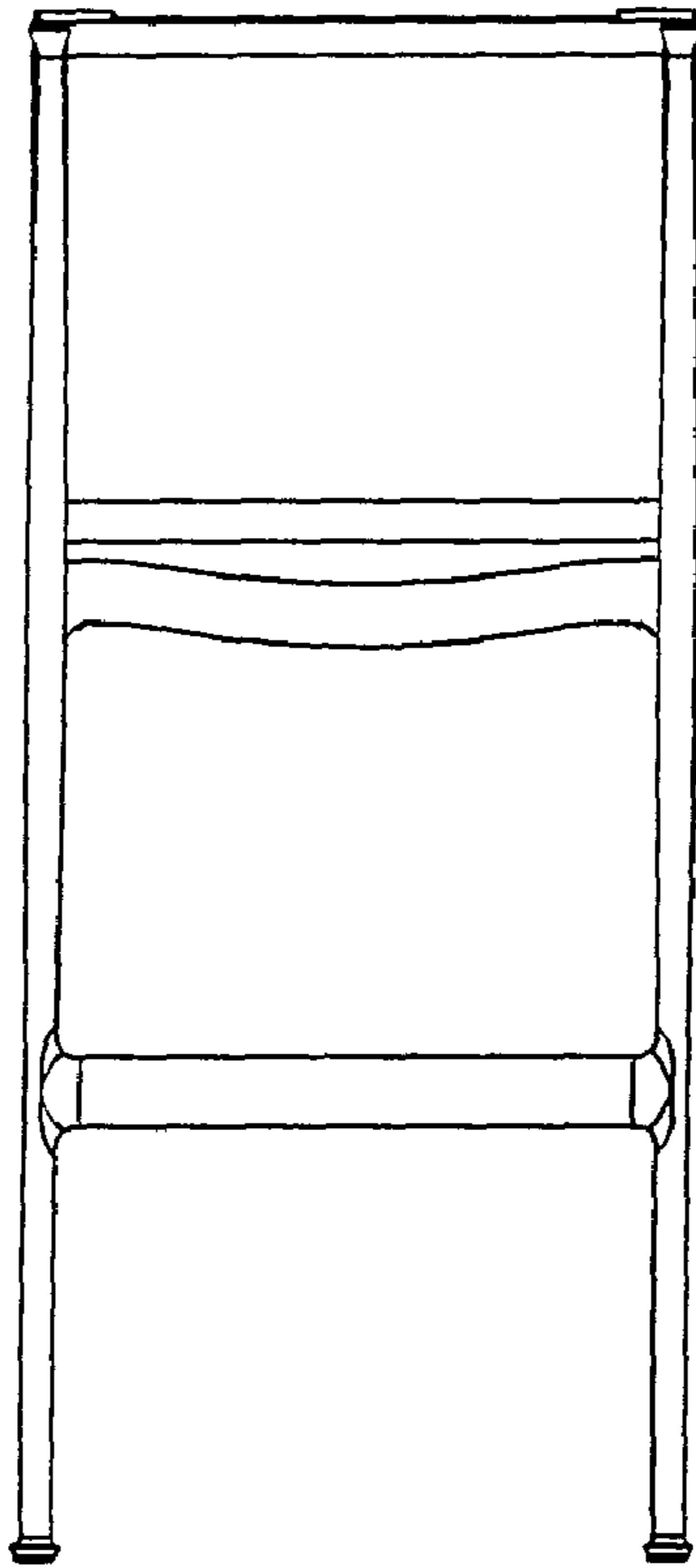
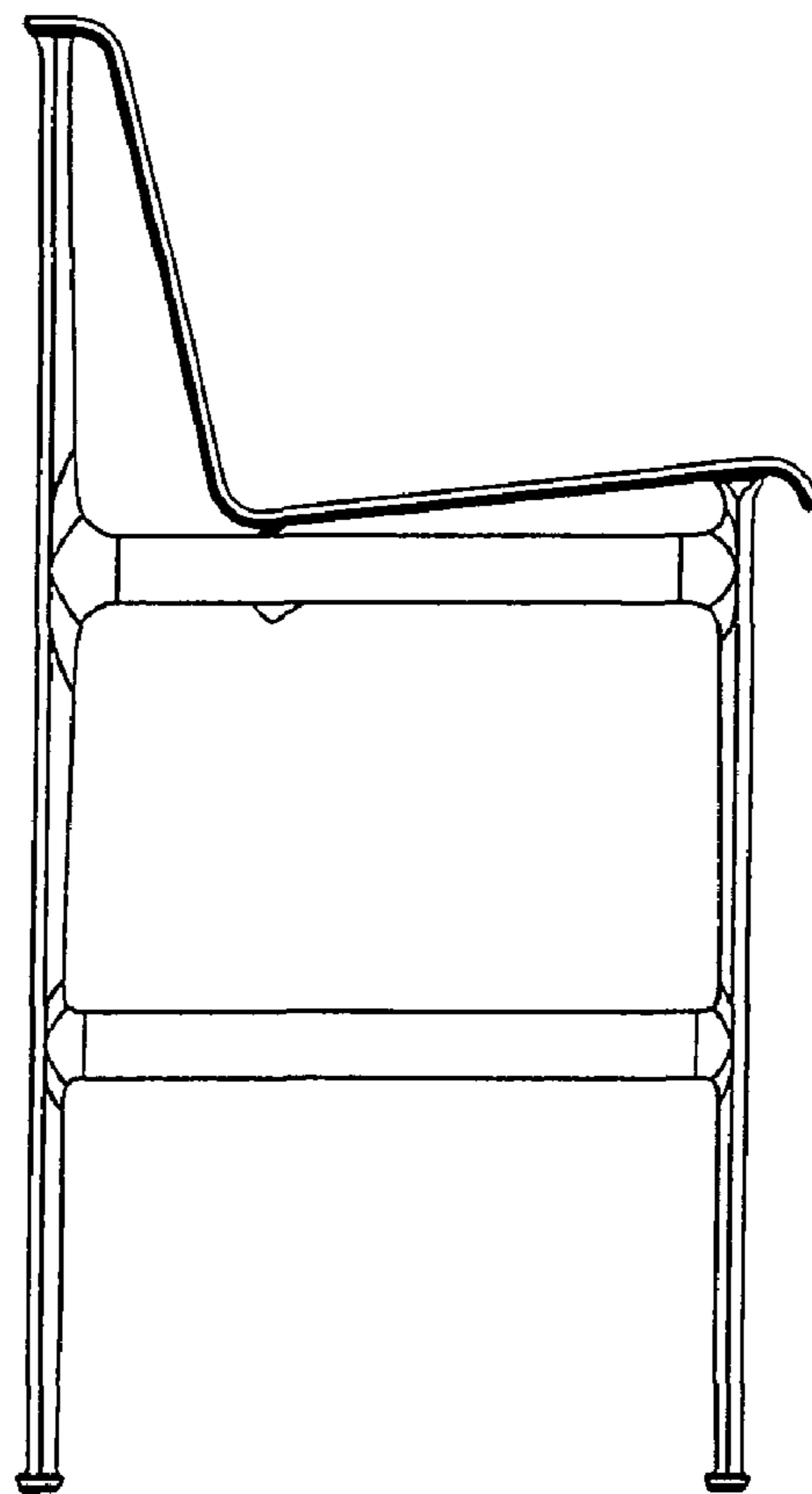


Fig. 3



**Fig. 4**

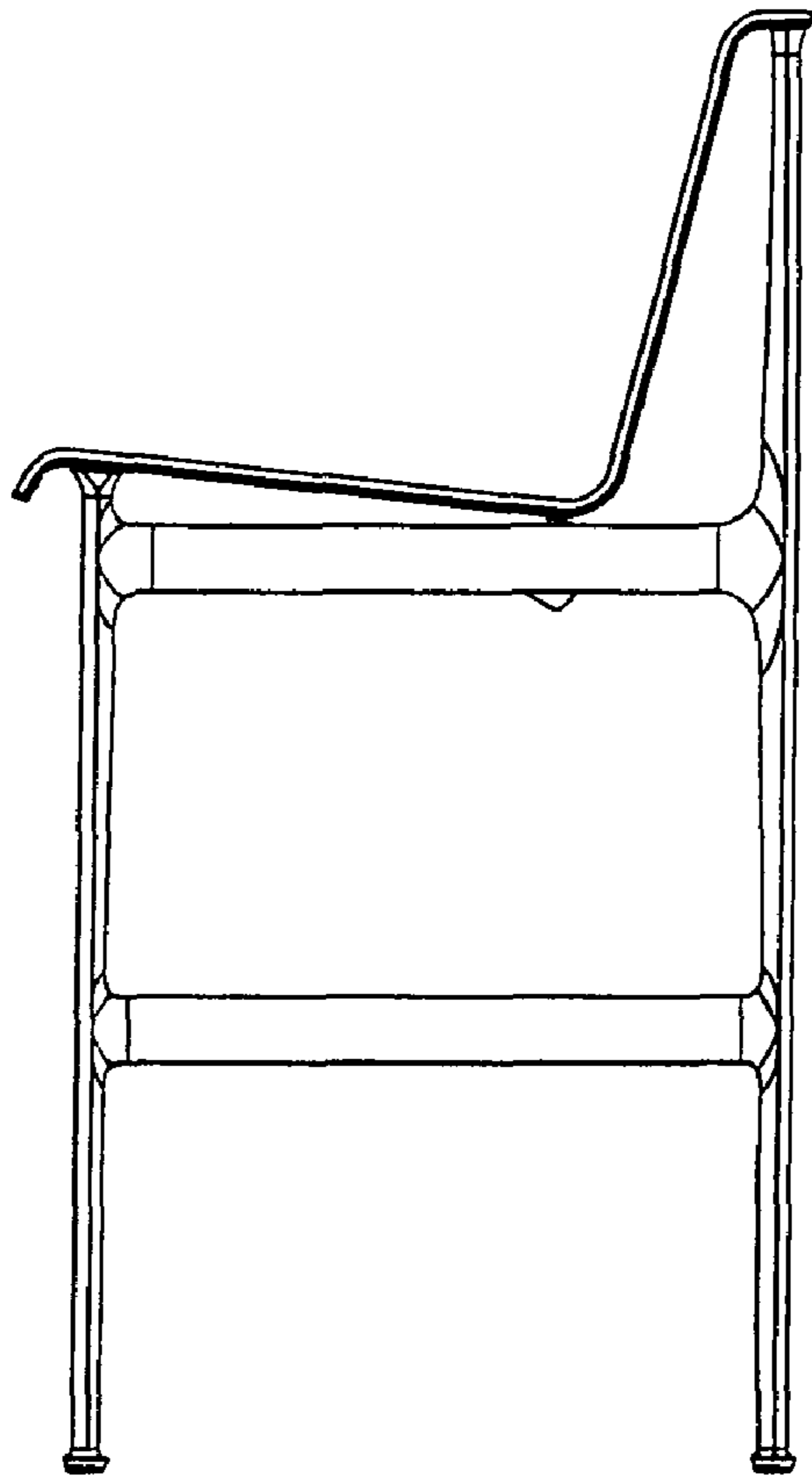
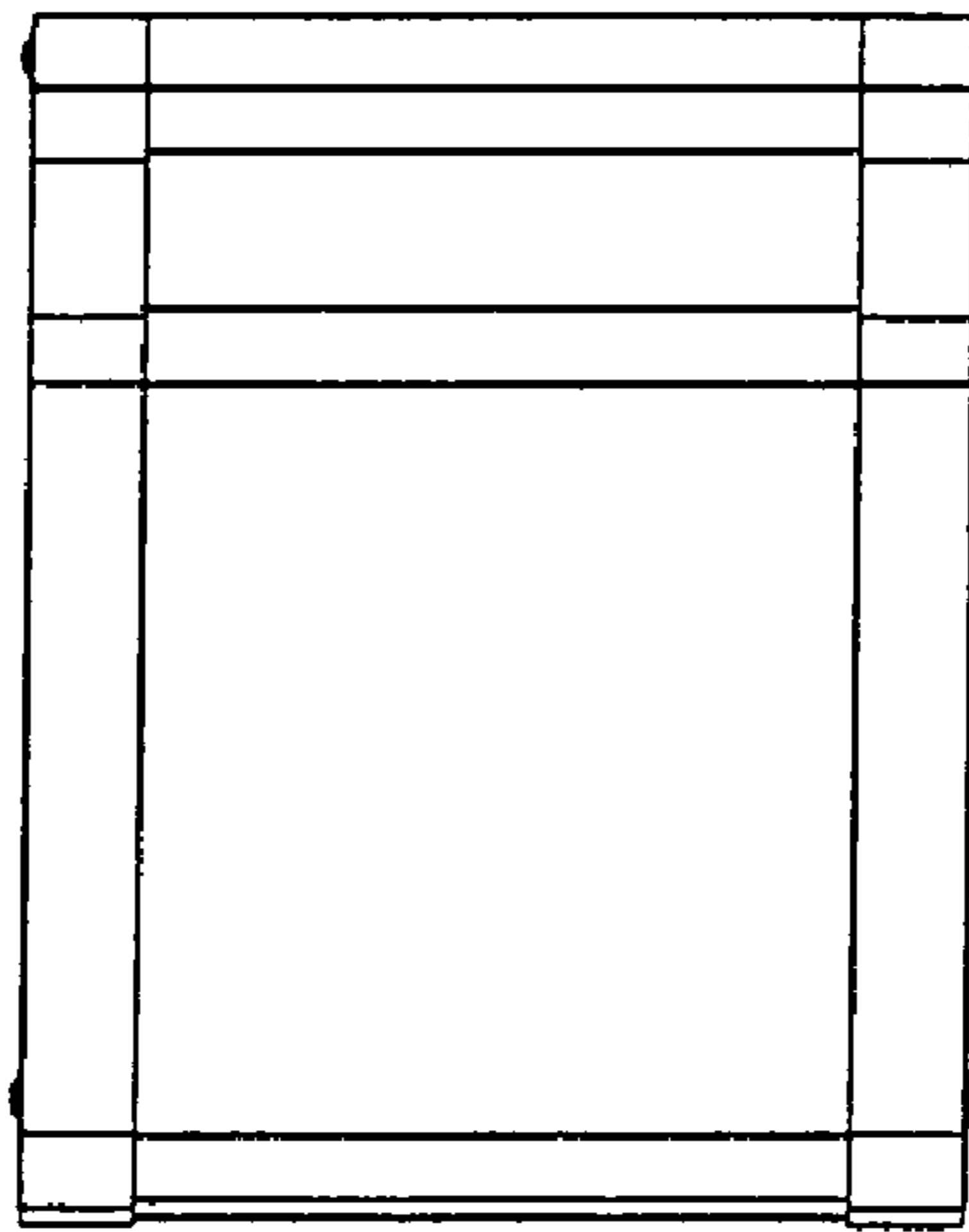


Fig. 5



**Fig. 6**

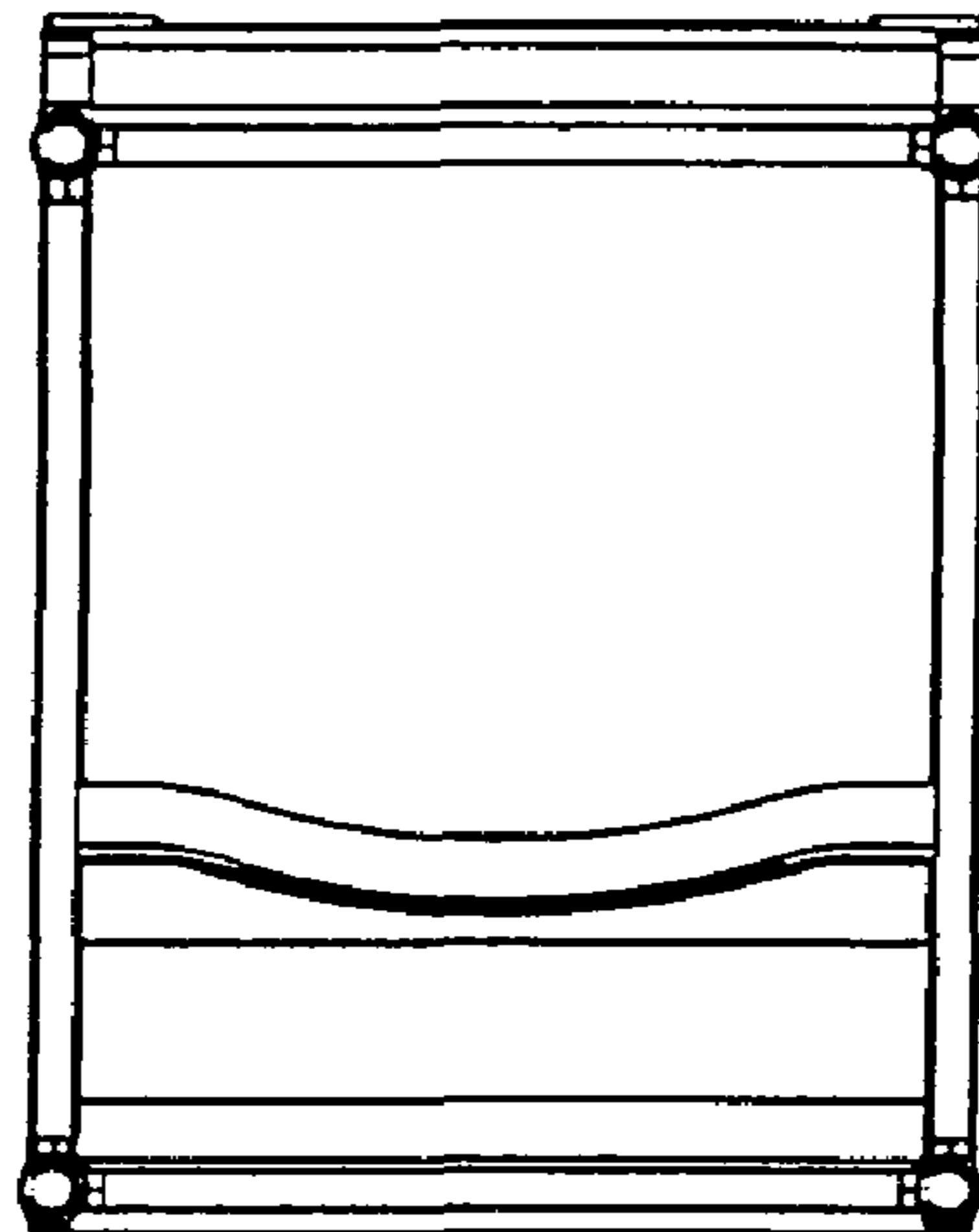
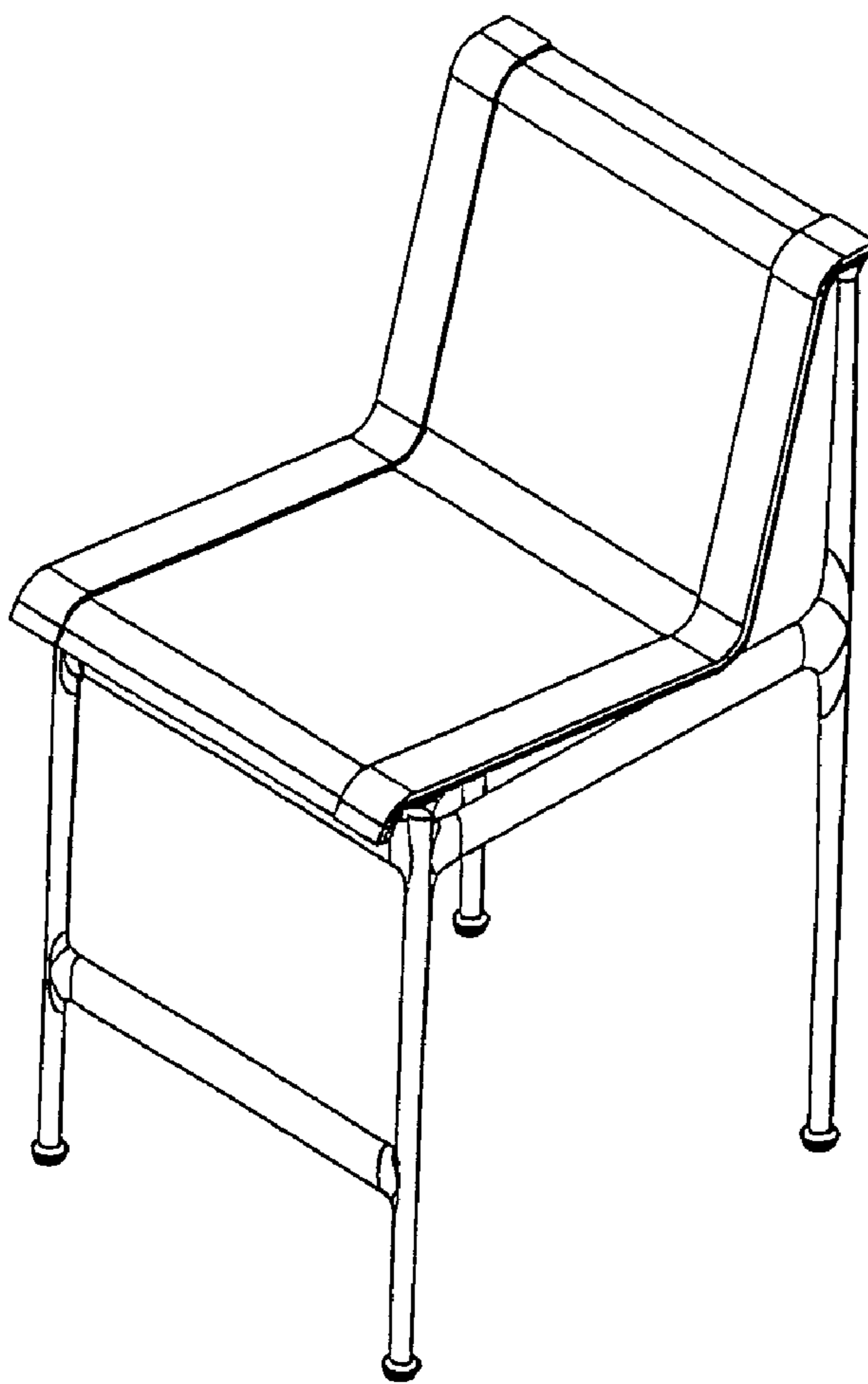


Fig. 7





**Fig. 8**

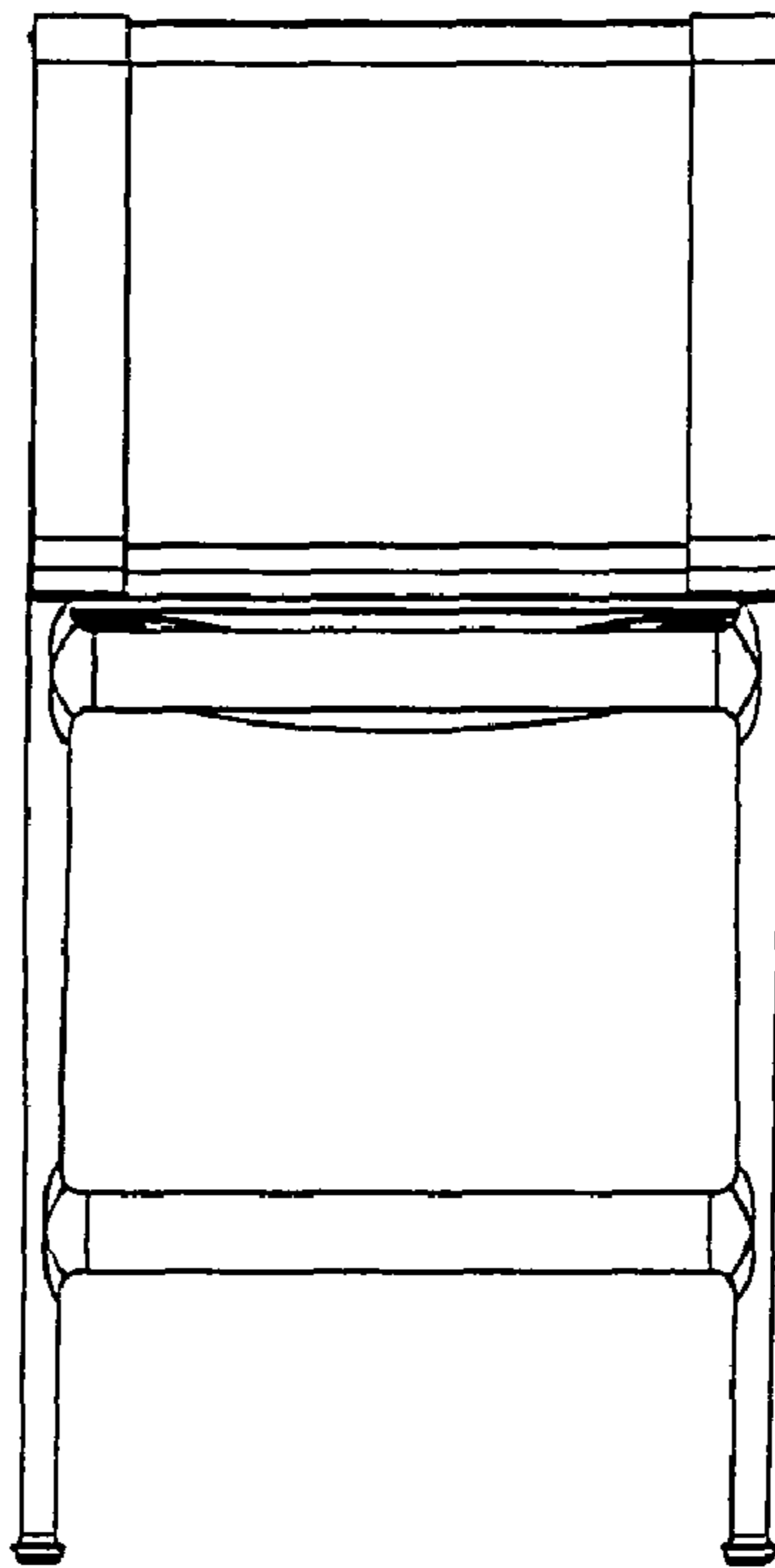


Fig. 9

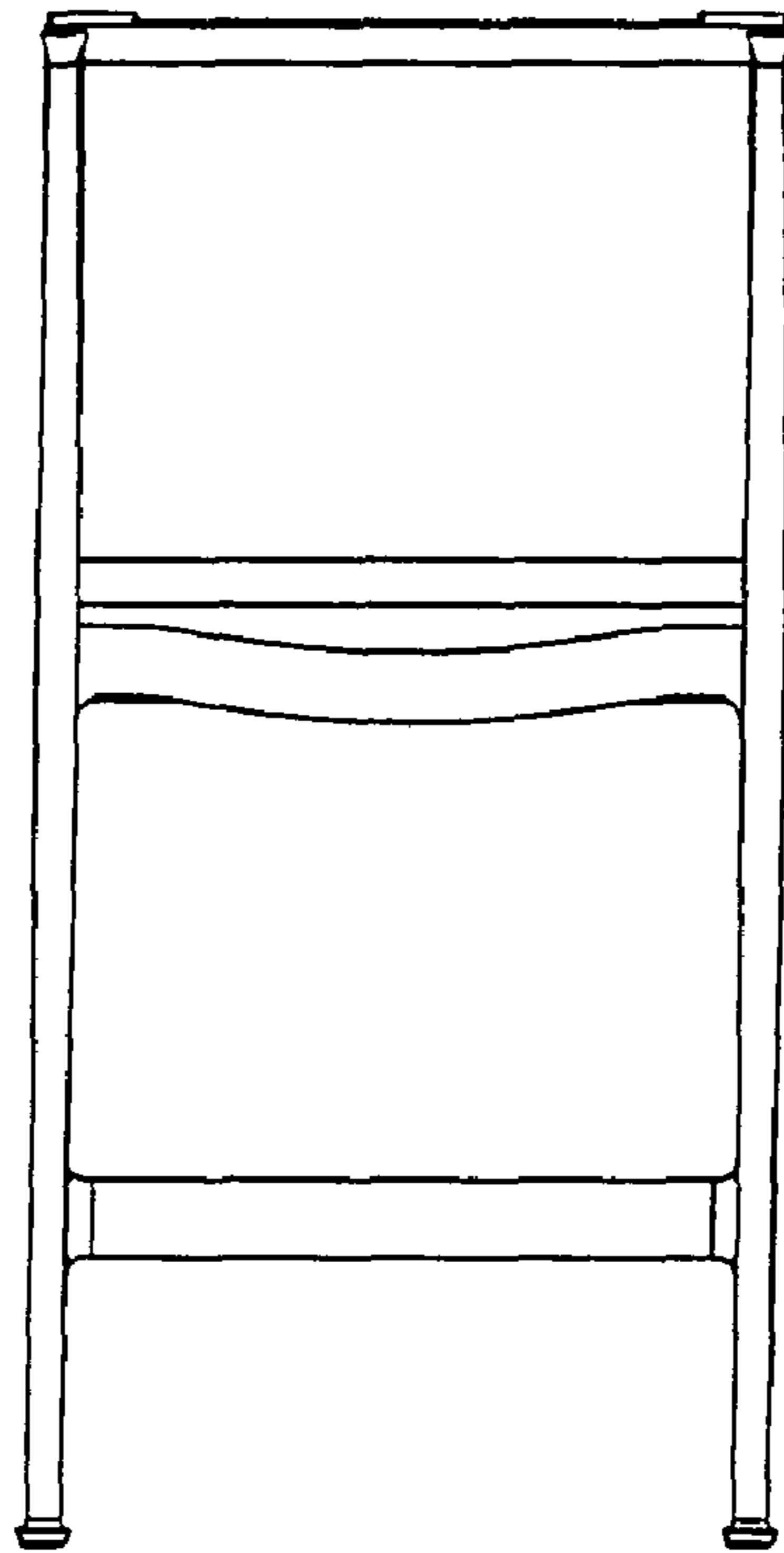
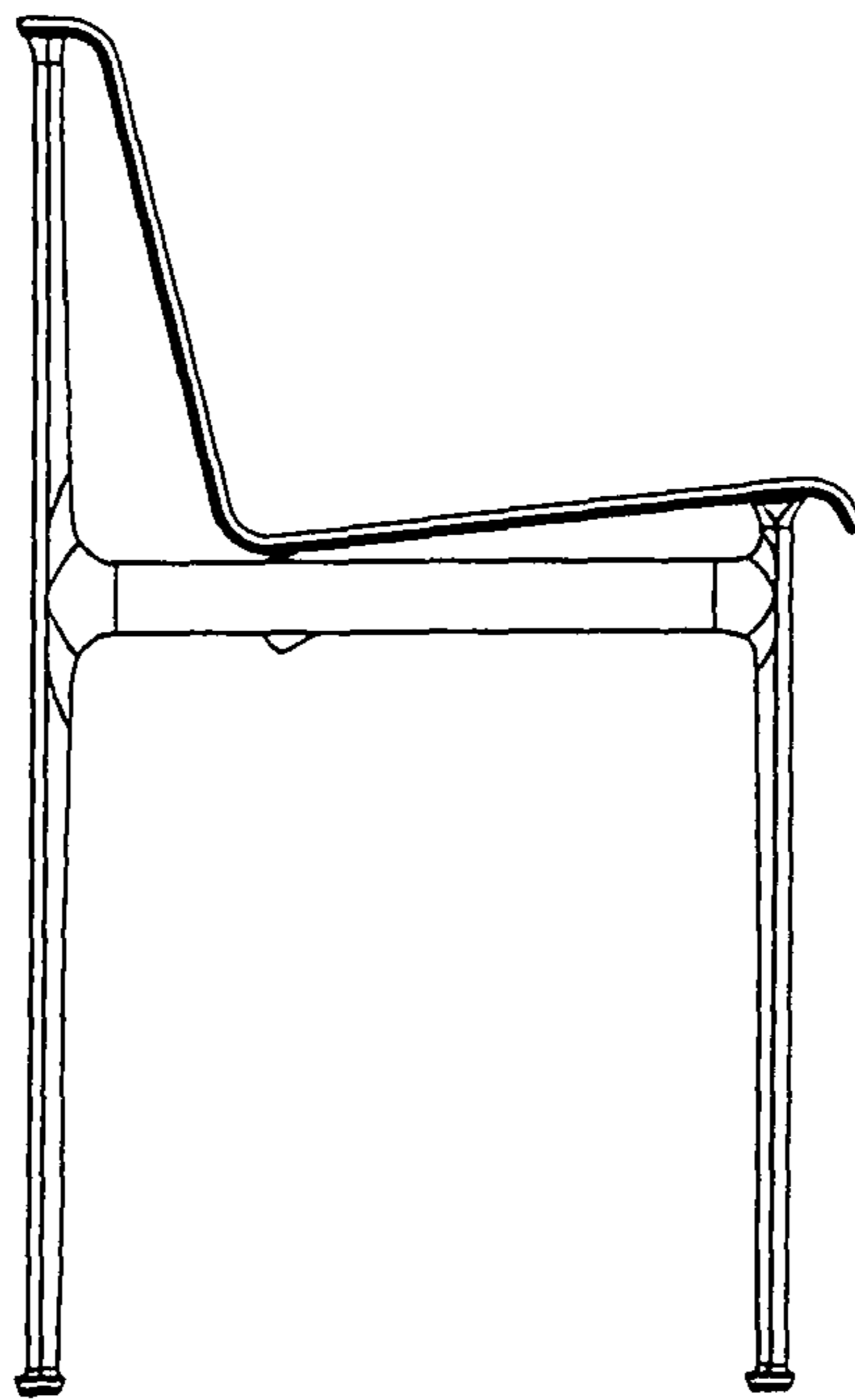
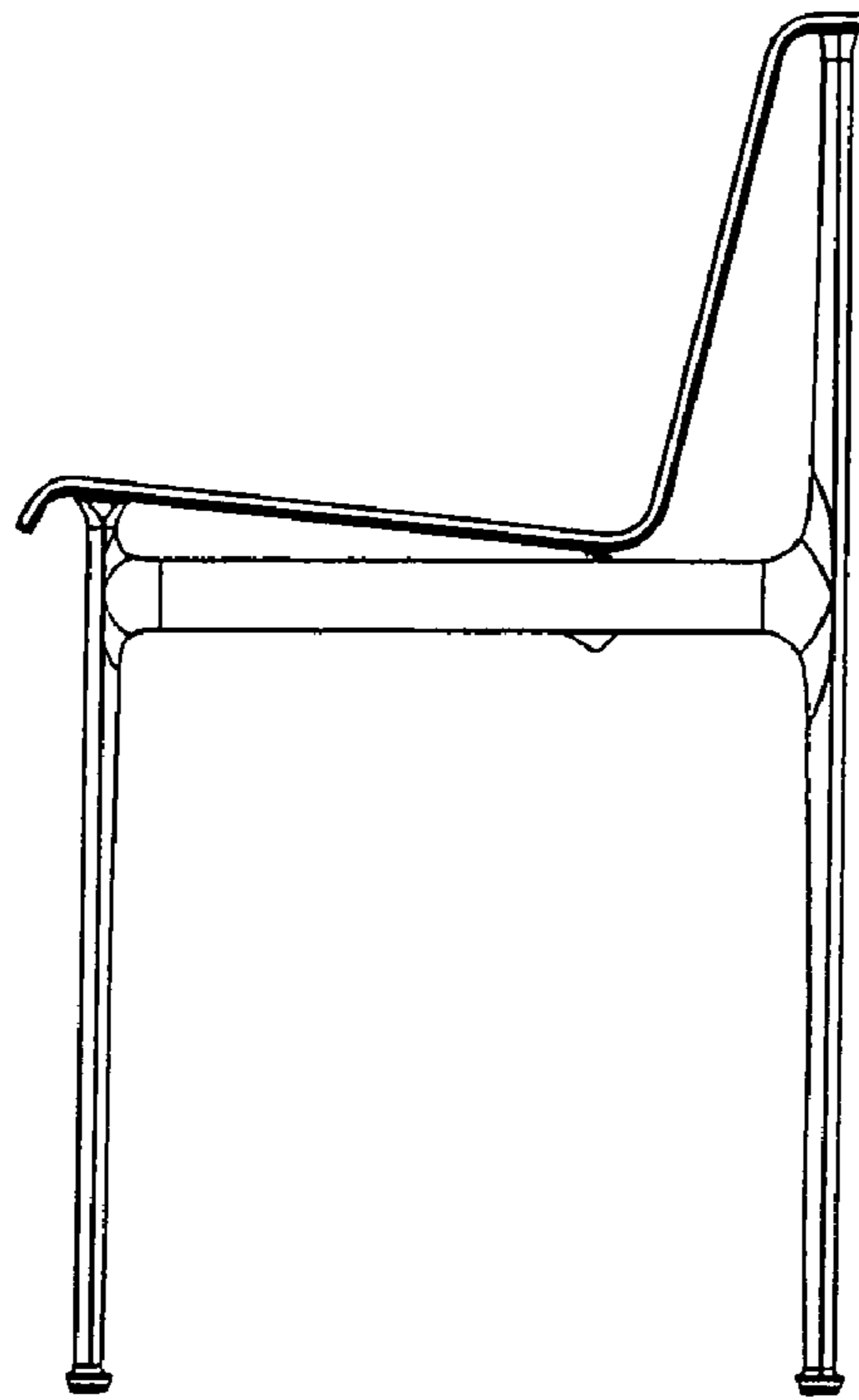


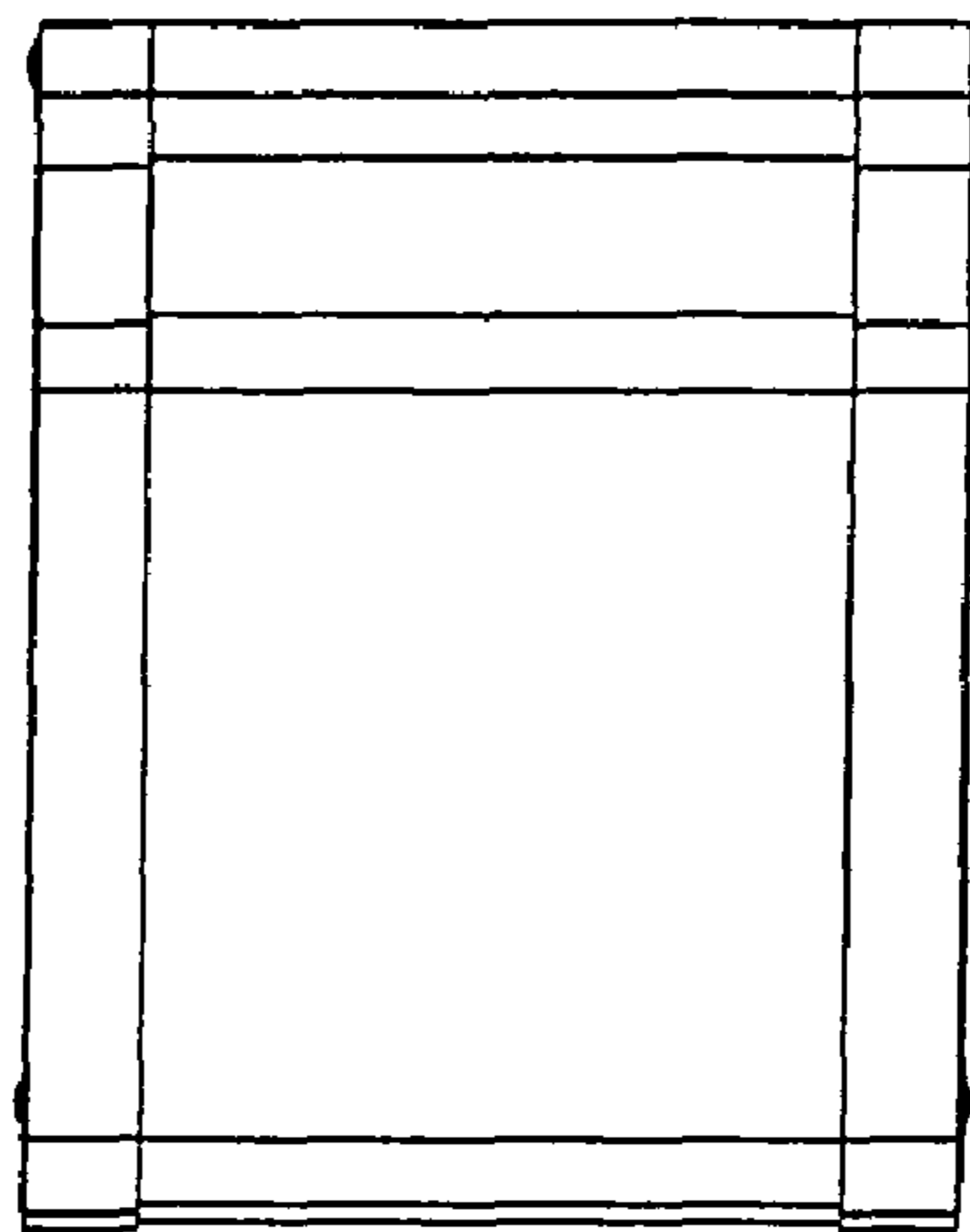
Fig. 10



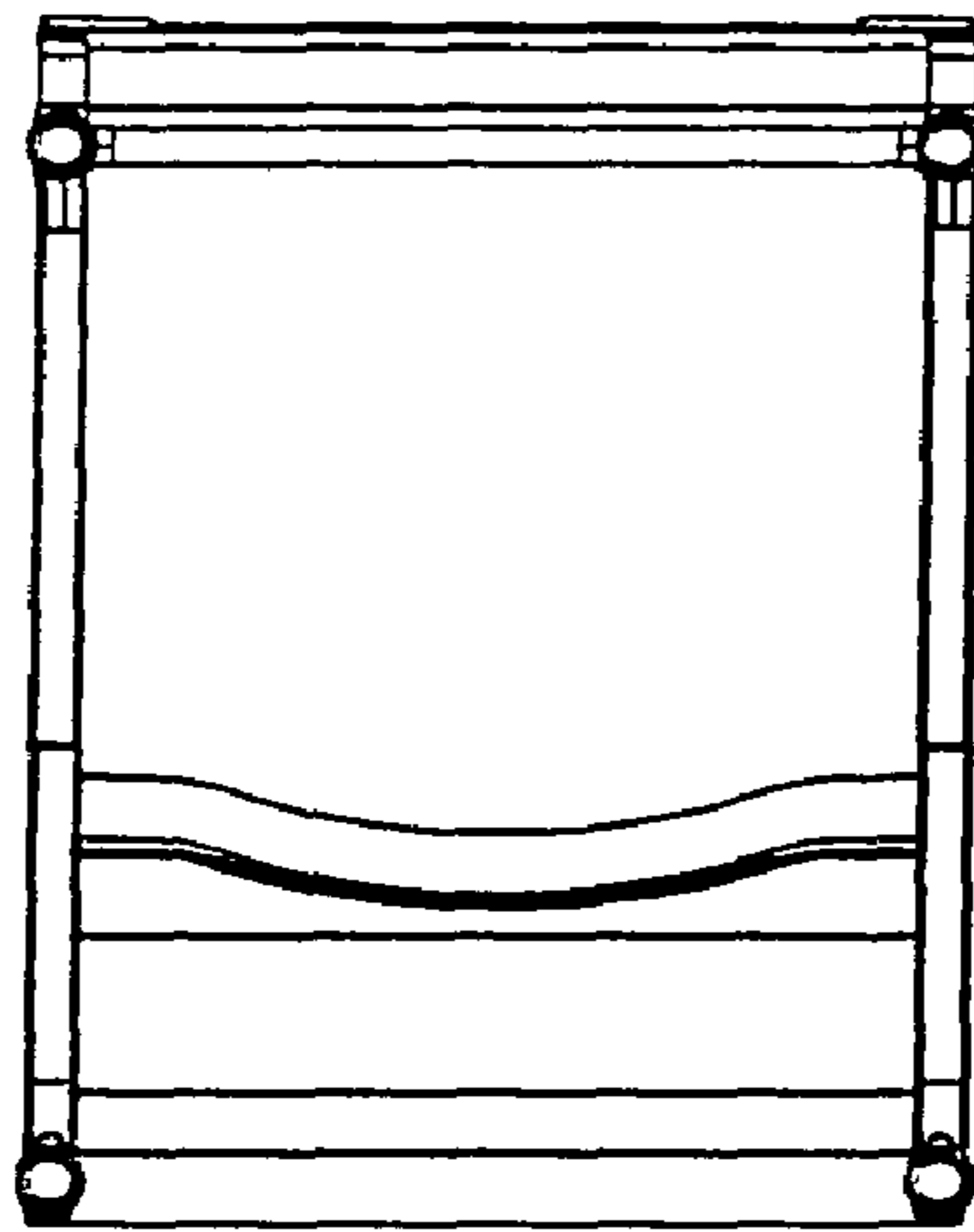
**Fig. 11**



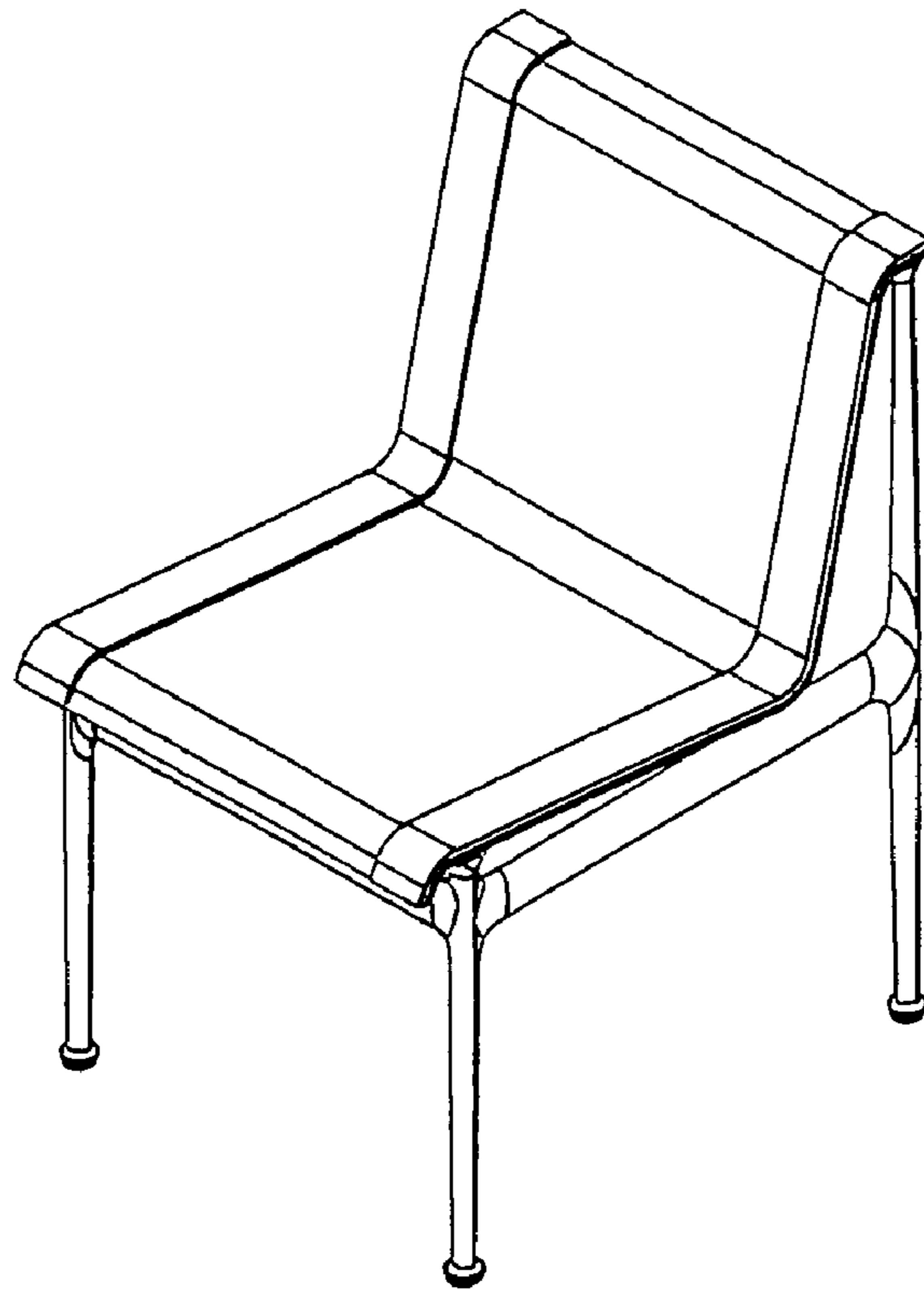
**Fig. 12**



**Fig. 13**

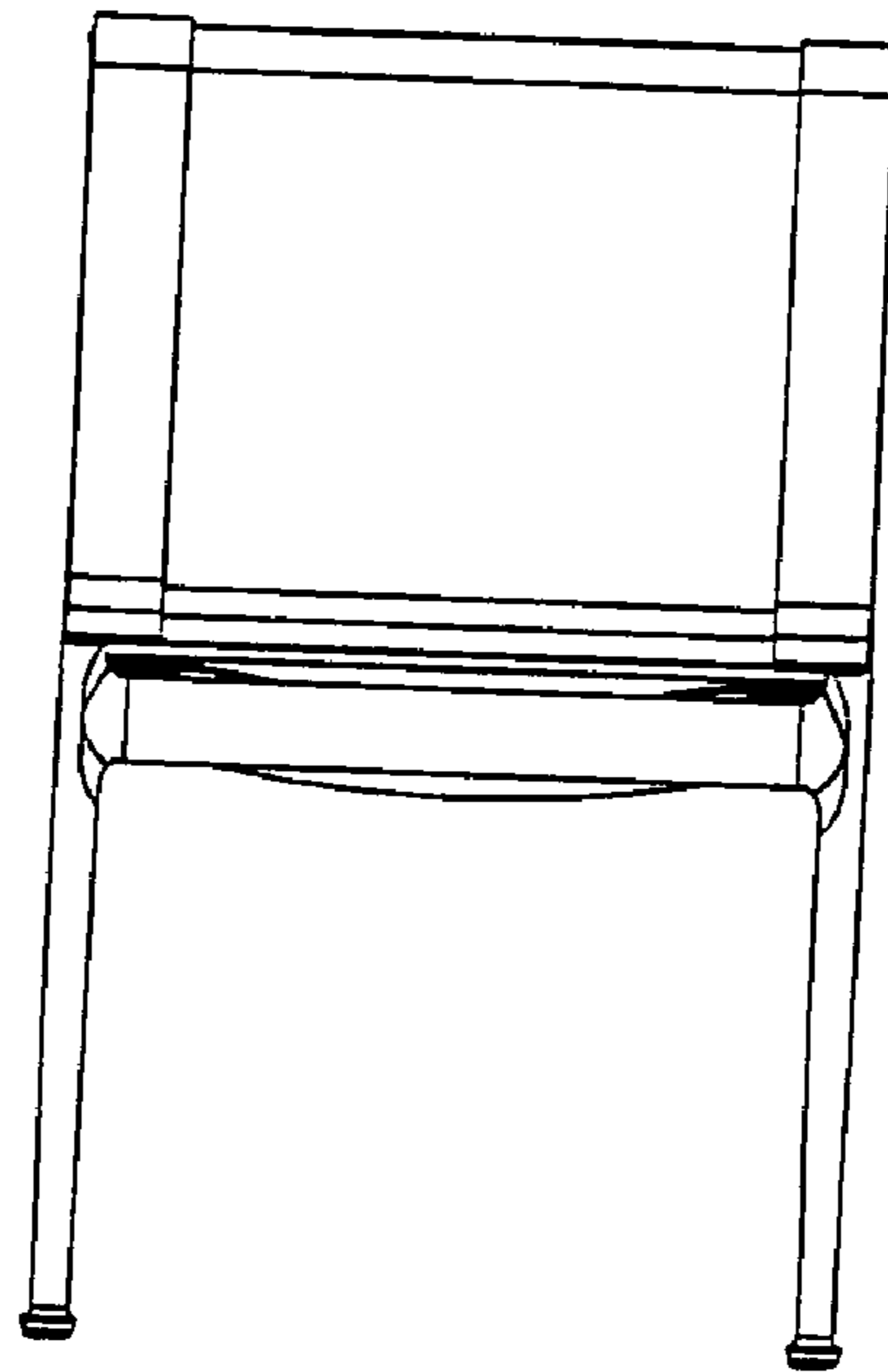


**Fig. 14**

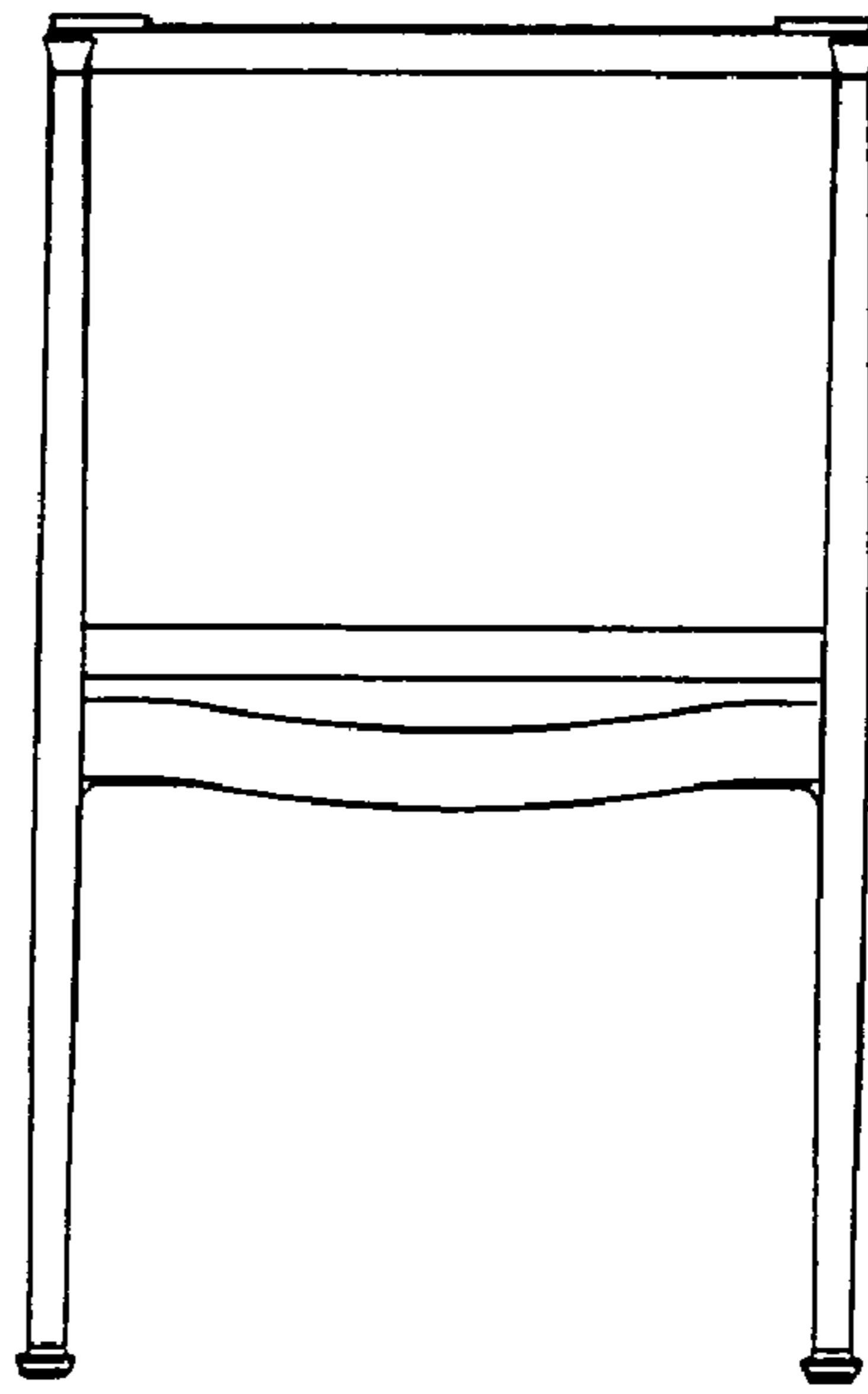


**Fig. 15**

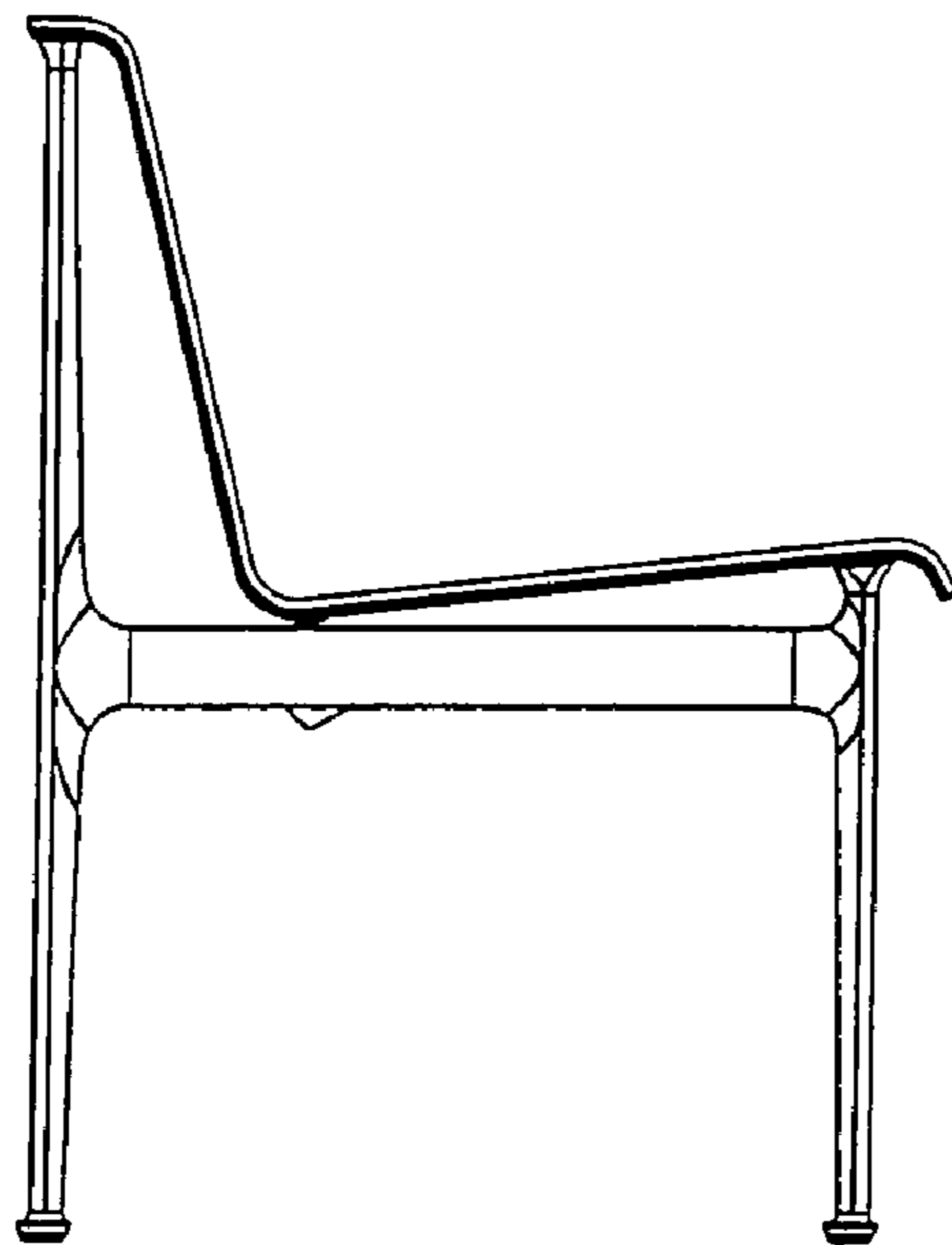




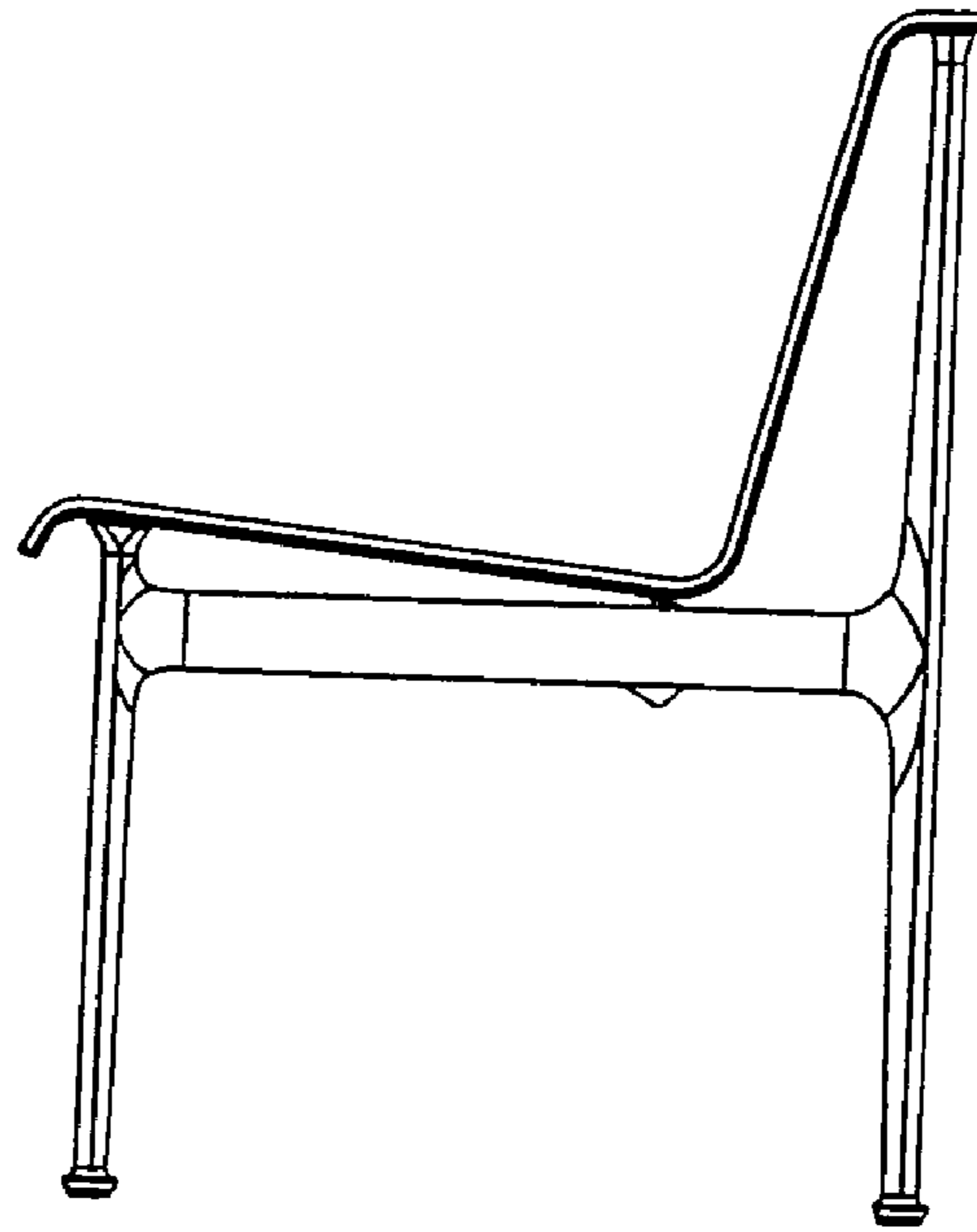
**Fig.16**



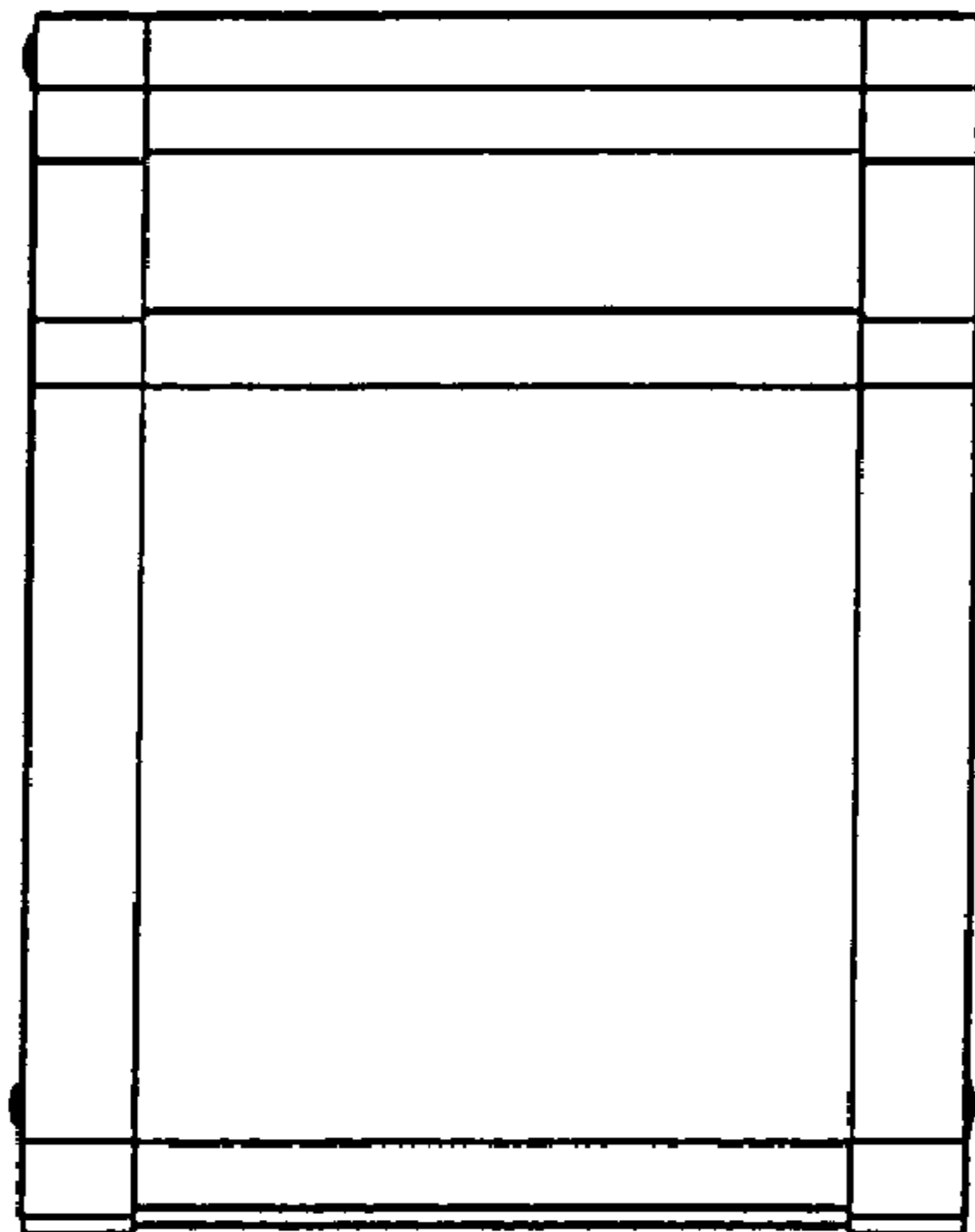
**Fig. 17**



**Fig. 18**



**Fig. 19**



**Fig. 20**

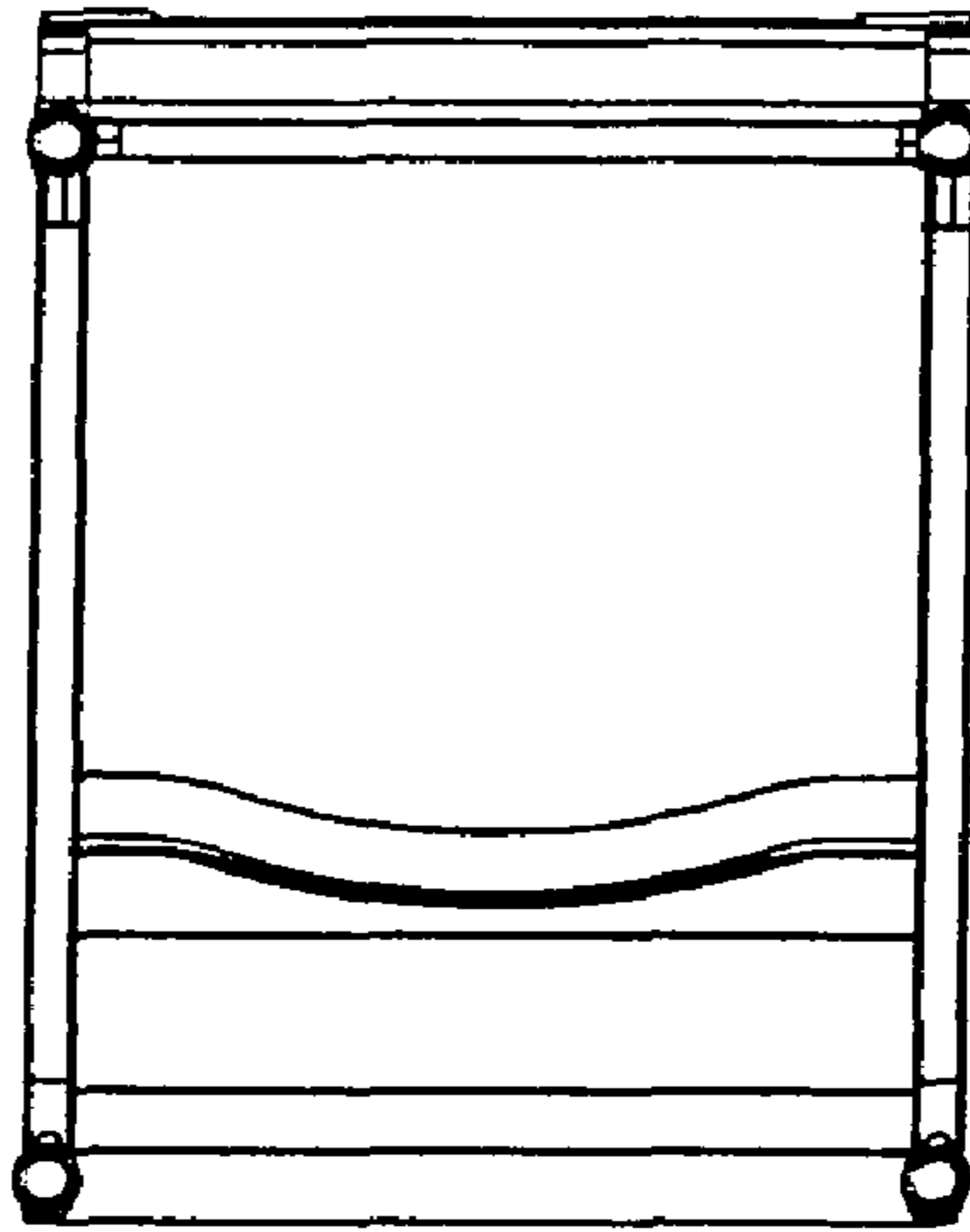


Fig. 21