



US00D634131S

(12) **United States Design Patent**  
**Utsunomiya**

(10) **Patent No.:** **US D634,131 S**  
(45) **Date of Patent:** **\*\* Mar. 15, 2011**

(54) **DIGITAL PHOTO FRAME**

(75) Inventor: **Ryo Utsunomiya**, Tokyo (JP)

(73) Assignee: **Casio Keisanki Kabushiki Kaisha**,  
Tokyo (JP)

(\*\*) Term: **14 Years**

(21) Appl. No.: **29/365,242**

(22) Filed: **Jul. 7, 2010**

(30) **Foreign Application Priority Data**

May 26, 2010 (JP) ..... 2010-012932

(51) **LOC (9) Cl.** ..... **06-07**

(52) **U.S. Cl.** ..... **D6/308; D6/310**

(58) **Field of Classification Search** ..... D6/300-314;  
40/700, 768, 717, 714, 721, 735, 773; D14/371,  
D14/372, 448, 449, 450, 374, 381, 382, 336,  
D14/337, 250, 146, 341, 496, 331, 126, 130;  
D20/10; D10/24, 75, 2; 428/138; 206/454  
See application file for complete search history.

(56) **References Cited**

**U.S. PATENT DOCUMENTS**

D597,974 S \* 8/2009 Iseki ..... D14/126  
D600,456 S \* 9/2009 Son ..... D6/308  
D610,355 S \* 2/2010 Chigira et al. .... D6/308  
D613,338 S \* 4/2010 Marukos ..... D20/10  
D613,951 S \* 4/2010 Tang et al. .... D6/308

D614,871 S \* 5/2010 Tang et al. .... D6/308  
D615,306 S \* 5/2010 Ji et al. .... D6/308  
D615,542 S \* 5/2010 Oikawa et al. .... D14/374  
D622,970 S \* 9/2010 Tang et al. .... D6/308  
D625,929 S \* 10/2010 Mitchell et al. .... D6/308  
D626,341 S \* 11/2010 Tang et al. .... D6/308  
D626,342 S \* 11/2010 Chadwick ..... D6/308

\* cited by examiner

*Primary Examiner* — Philip S Hyder

*Assistant Examiner* — Sydney R Buffalow

(74) *Attorney, Agent, or Firm* — Holtz, Holtz, Goodman &  
Chick, PC

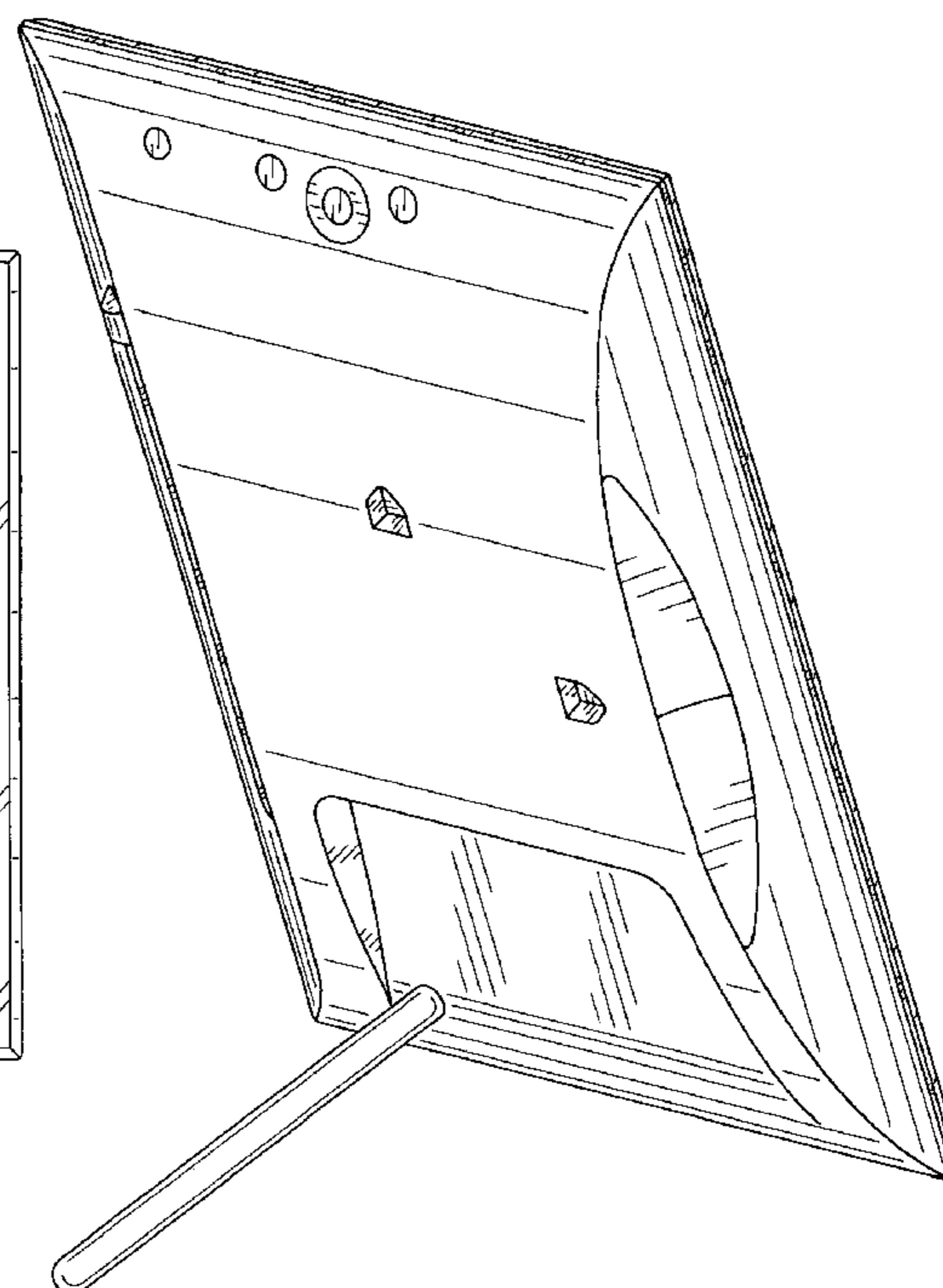
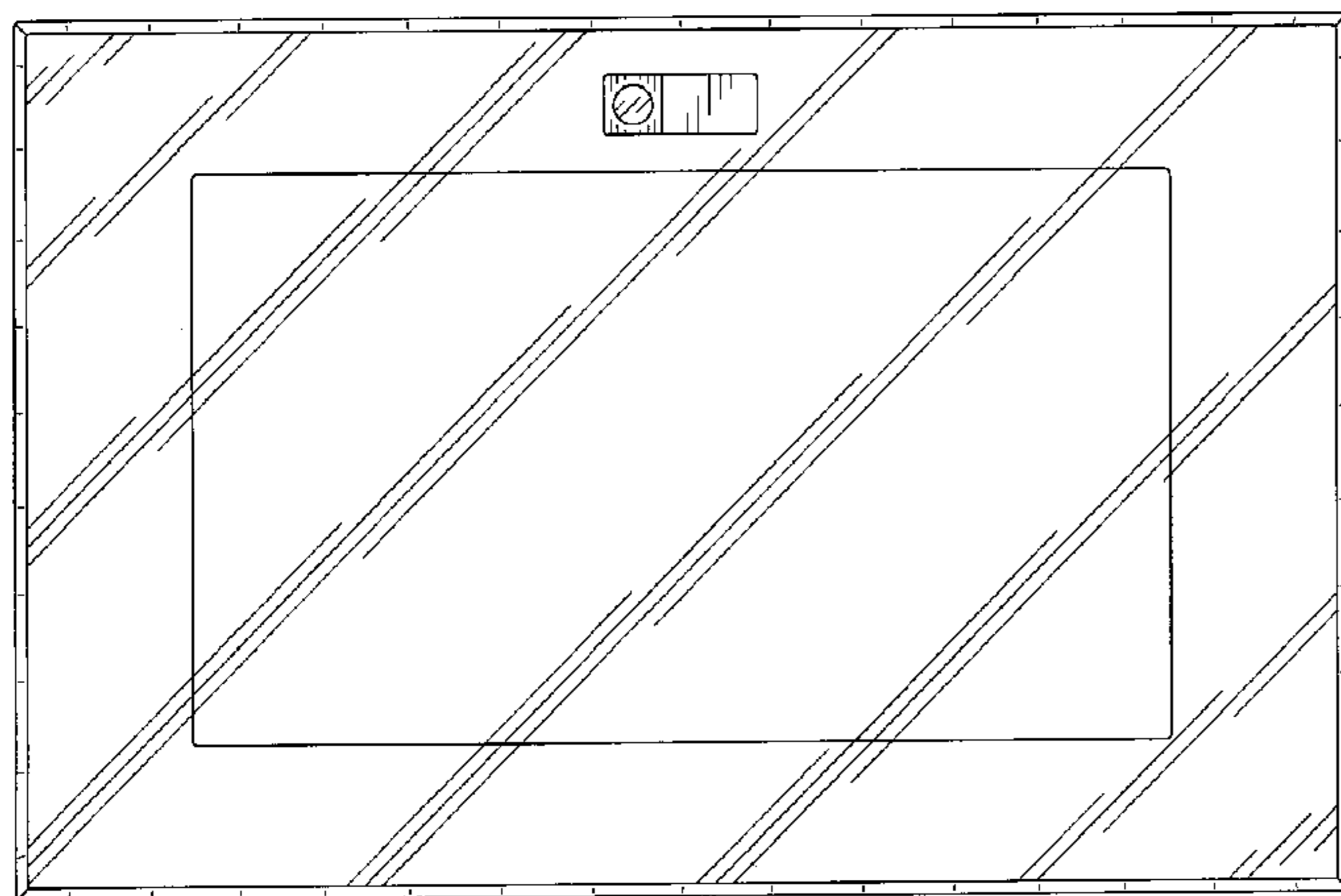
(57) **CLAIM**

The ornamental design for a digital photo frame, as shown  
and described.

**DESCRIPTION**

FIG. 1 is a front elevational view of a digital photo frame  
showing my new design;  
FIG. 2 is a rear elevational view thereof;  
FIG. 3 is a left side view thereof;  
FIG. 4 is a right side view thereof;  
FIG. 5 is a top plan view thereof;  
FIG. 6 is a bottom plan view thereof;  
FIG. 7 is a perspective view thereof, showing a state in which  
this article is used;  
FIG. 8 is a rear perspective view thereof, showing a state in  
which this article is used; and,  
FIG. 9 is a rear perspective view thereof, showing a state in  
which this article is used longways.

**1 Claim, 8 Drawing Sheets**



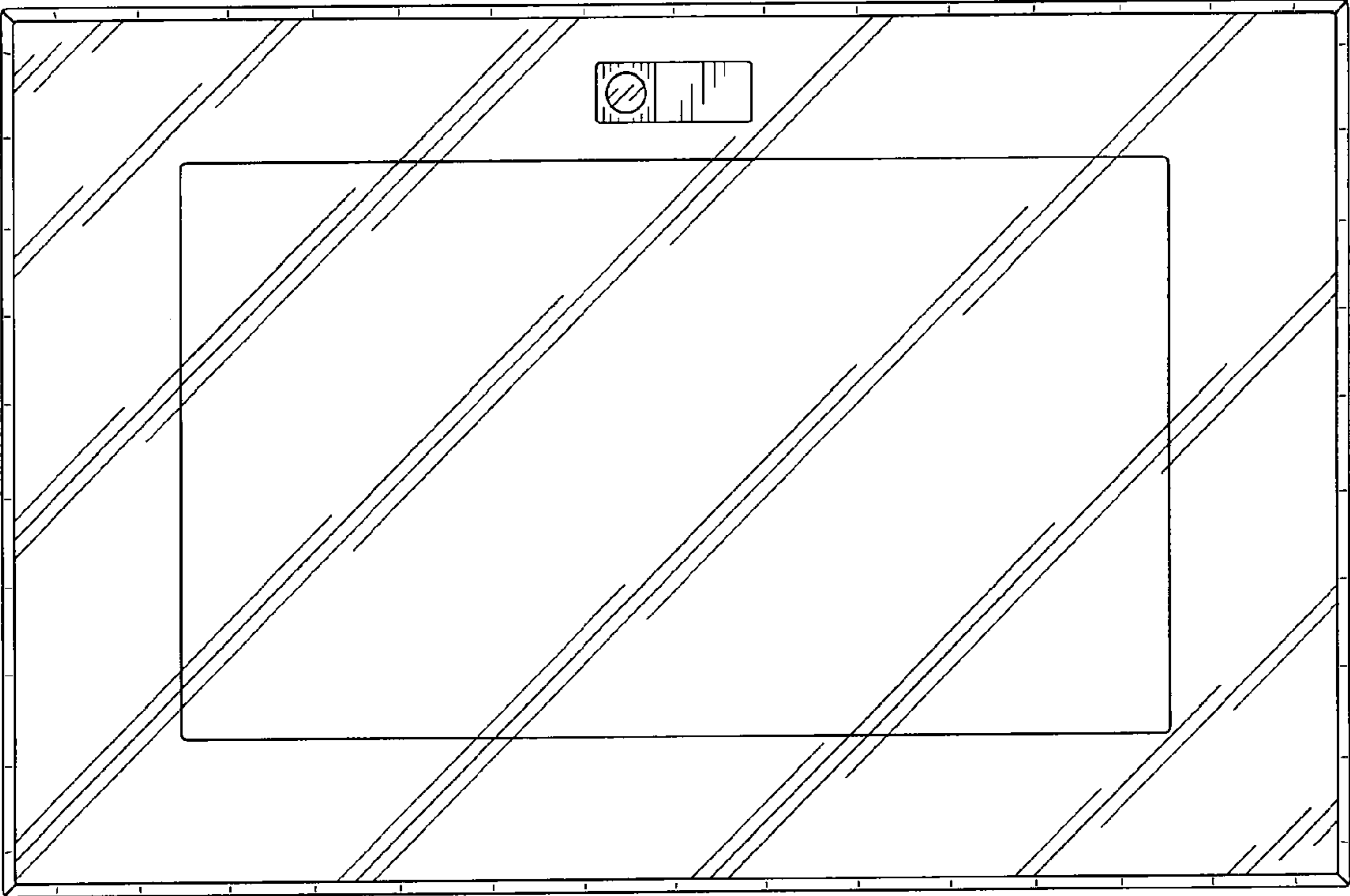


FIG. 1

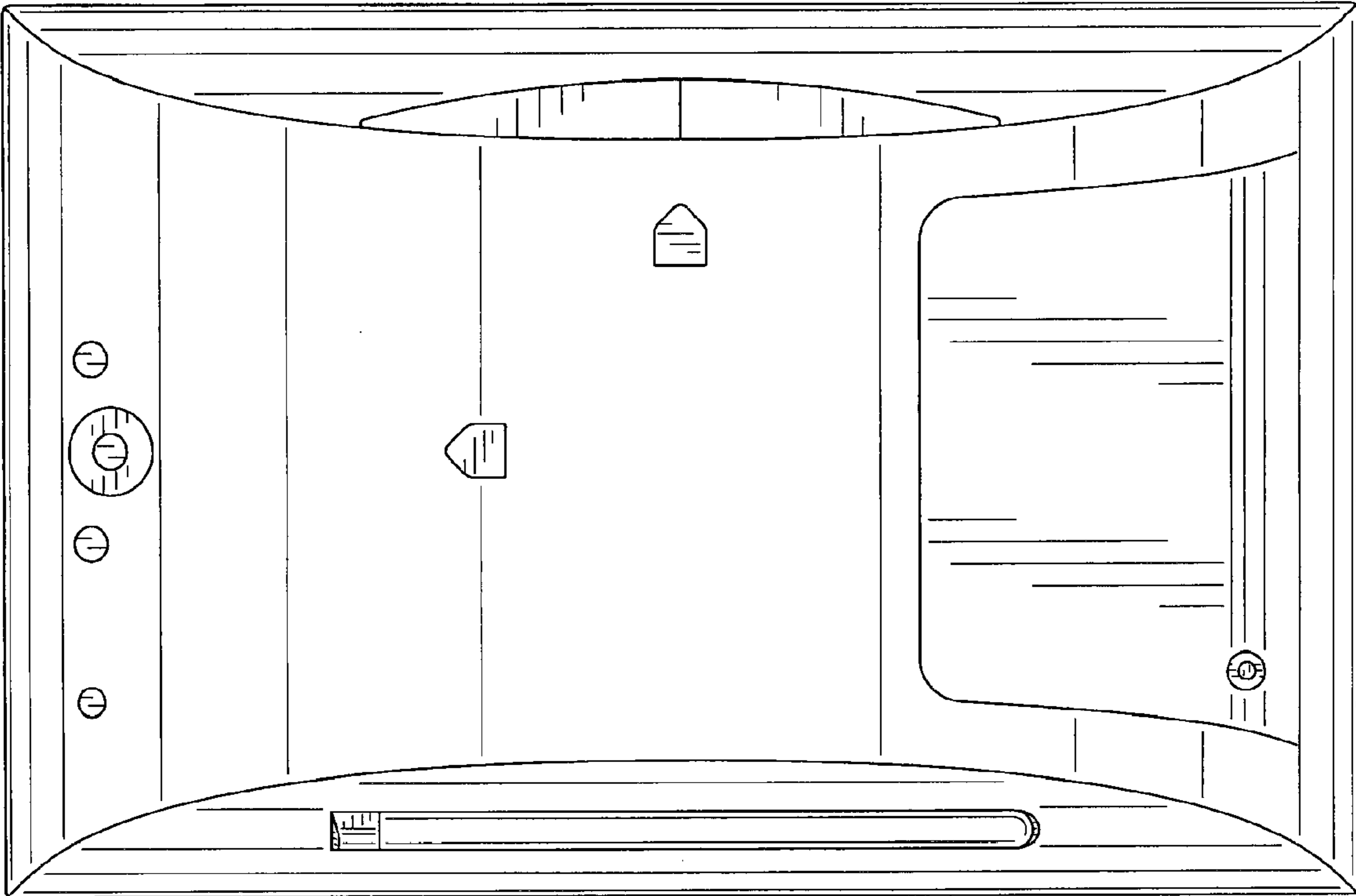
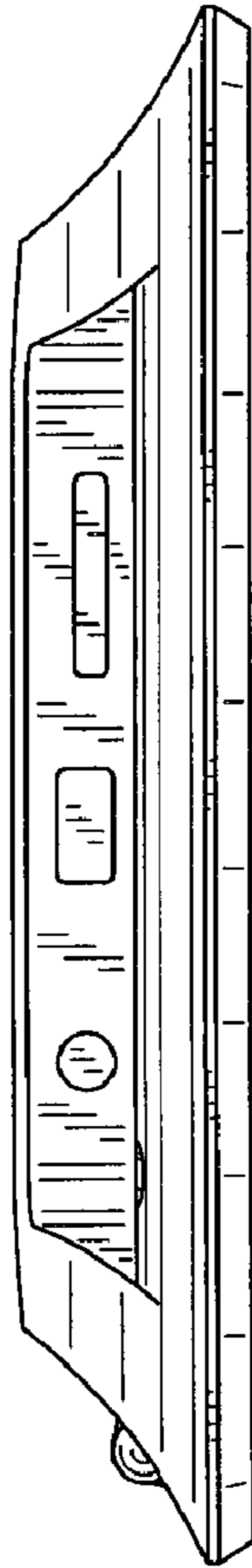
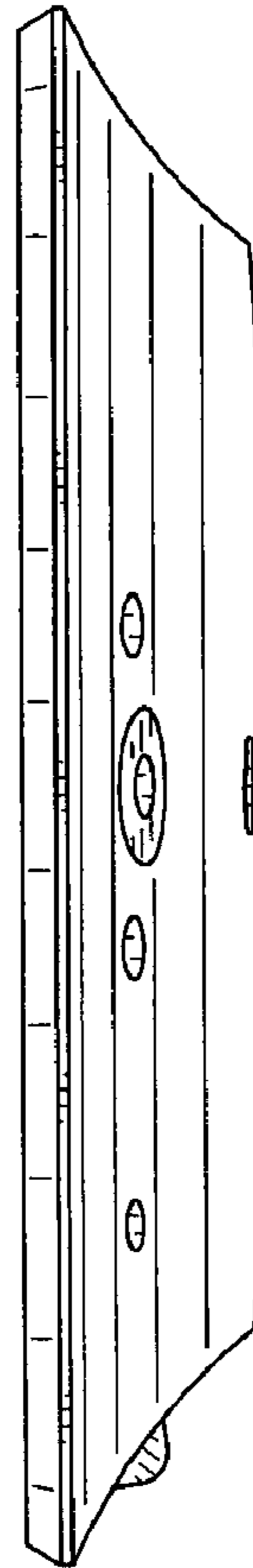


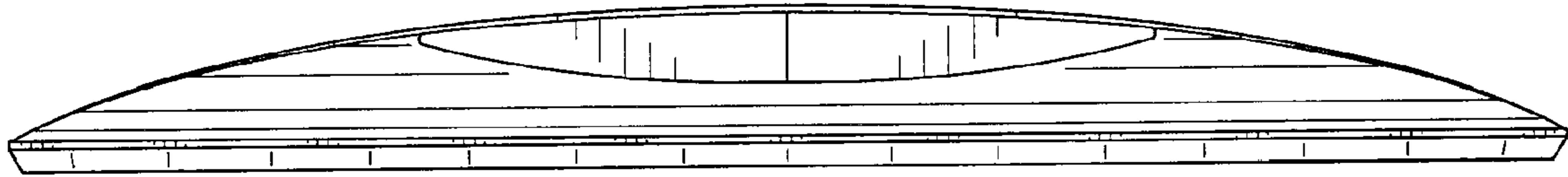
FIG. 2



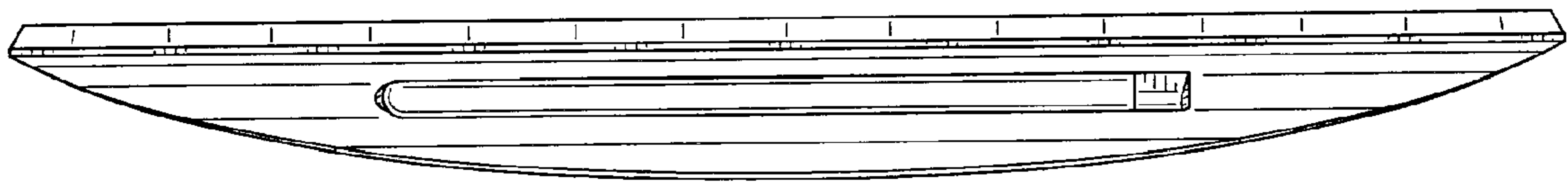
**FIG. 3**



**FIG. 4**



**FIG. 5**



**FIG. 6**

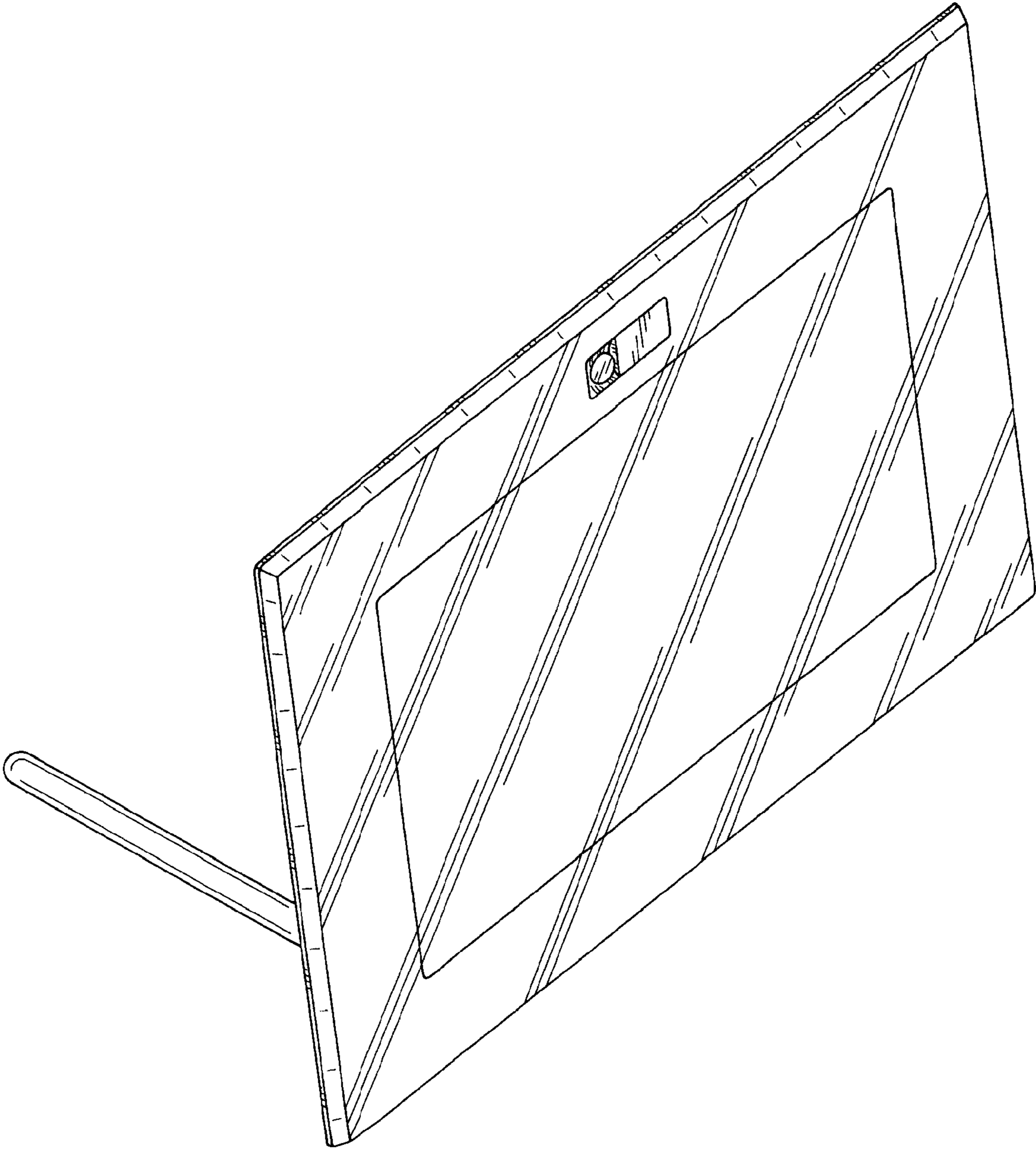


FIG. 7

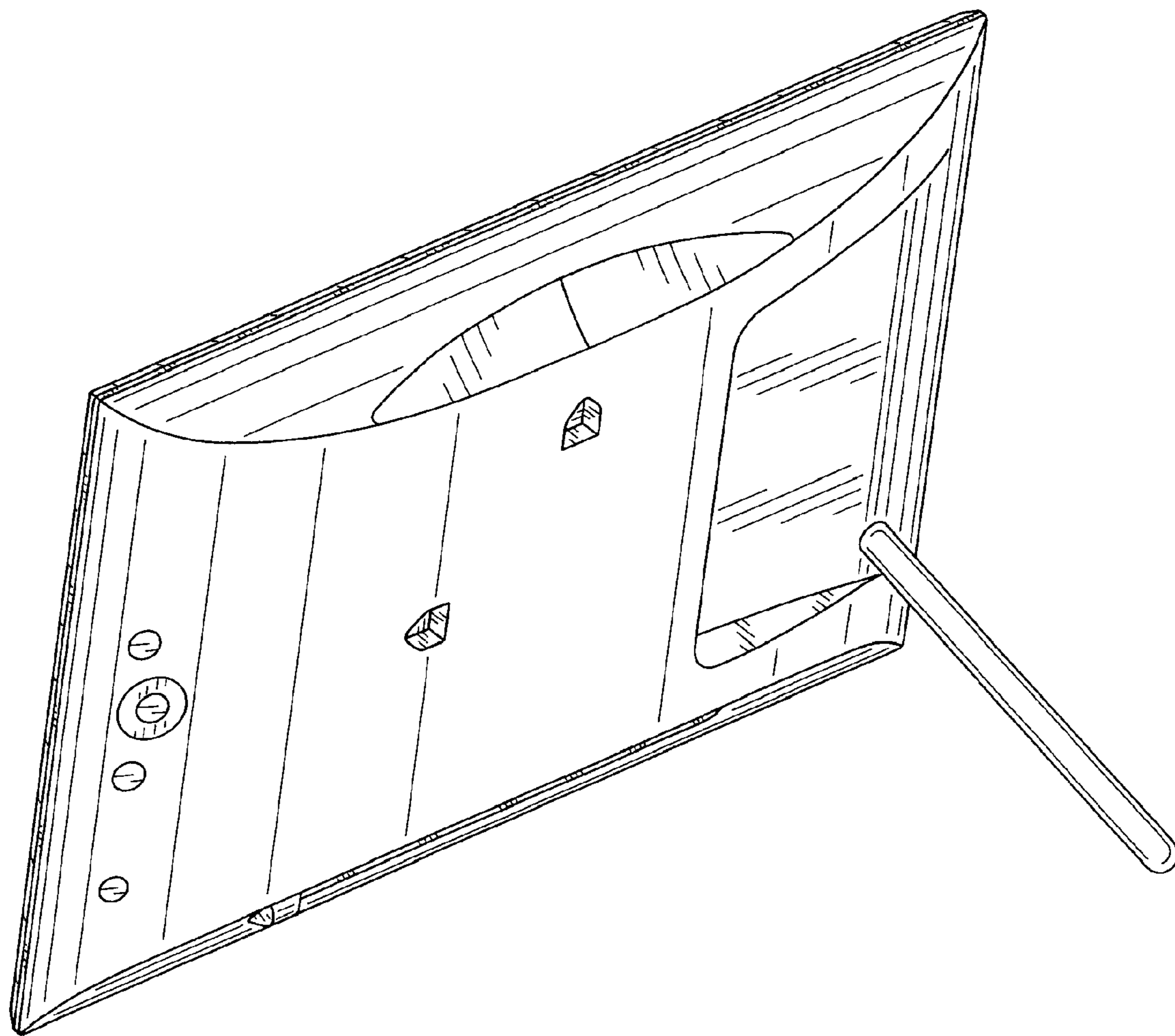


FIG. 8



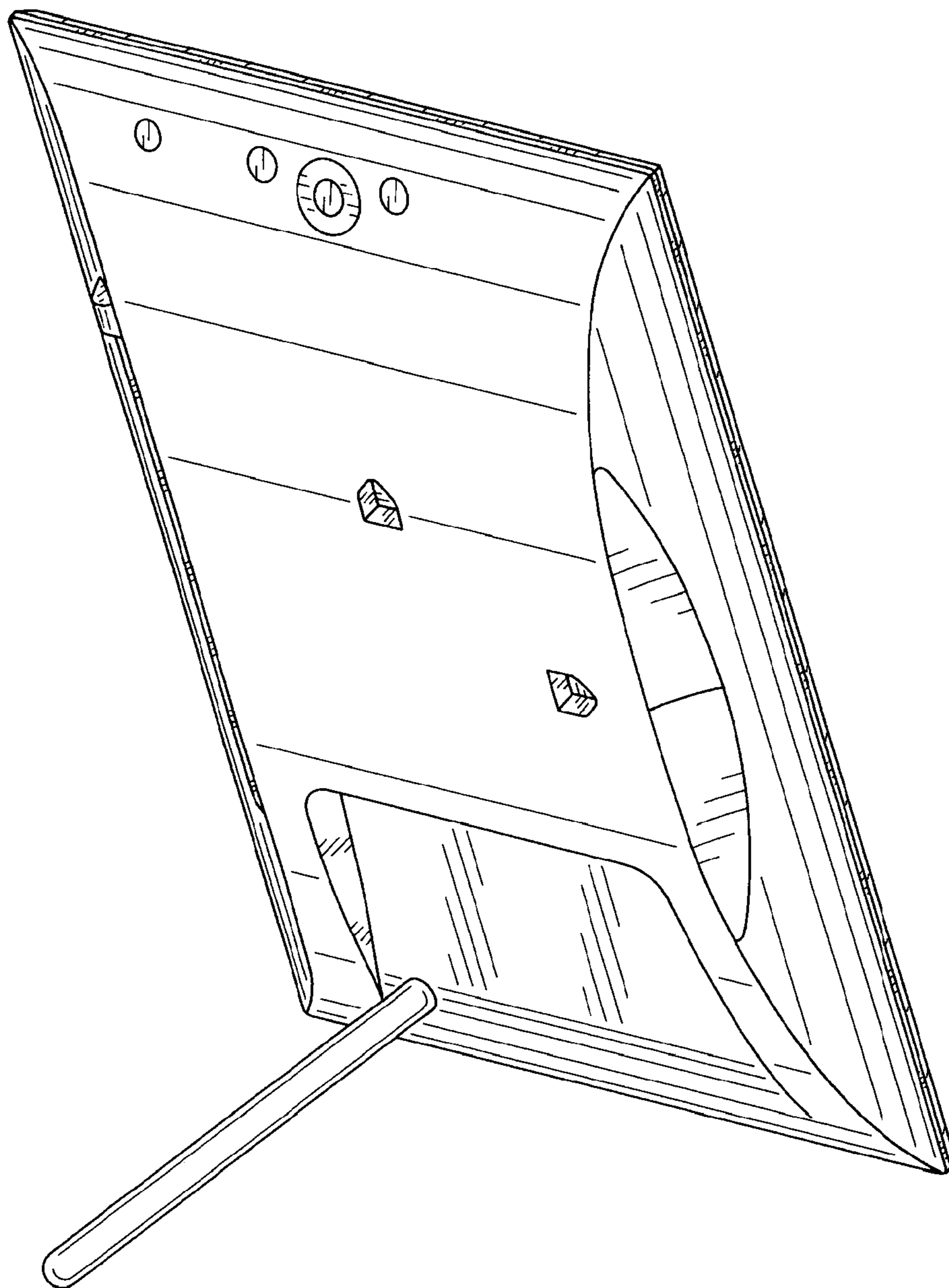


FIG. 9