



US00D634126S

(12) **United States Design Patent**  
**Viola**

(10) **Patent No.:** **US D634,126 S**  
(45) **Date of Patent:** **\*\* Mar. 15, 2011**

(54) **COMBINATION BRUSH AND TAPE ROLLER**

*Primary Examiner* — Melanie H Tung  
*Assistant Examiner* — Lavone D Tabor

(76) Inventor: **Charles Alfred Viola**, Fairfield, IA (US)

(\*\*) Term: **14 Years**

(21) Appl. No.: **29/372,151**

(22) Filed: **Oct. 21, 2010**

(51) **LOC (9) Cl.** ..... **04-02**

(52) **U.S. Cl.** ..... **D4/116; D4/121; D4/122; D4/136**

(58) **Field of Classification Search** ..... D4/116,  
D4/121, 122, 133, 134, 136; 15/27, 104.002,  
15/186–188

See application file for complete search history.

(56) **References Cited**

**U.S. PATENT DOCUMENTS**

1,693,745	A *	12/1928	Connor	15/105
1,770,344	A *	7/1930	Schmidt	15/185
2,715,742	A *	8/1955	Coles	15/105
3,089,170	A *	5/1963	Buchsbaum	15/105
D248,996	S *	8/1978	Brunas	D4/136
4,987,633	A *	1/1991	Heneveld	15/185
D539,545	S *	4/2007	Crane et al.	D4/122
D541,534	S *	5/2007	Leung	D4/133
7,234,188	B1 *	6/2007	McKay	15/104.002
7,364,380	B2 *	4/2008	McKay	401/138
7,856,690	B2 *	12/2010	Tuman et al.	15/104.002

\* cited by examiner

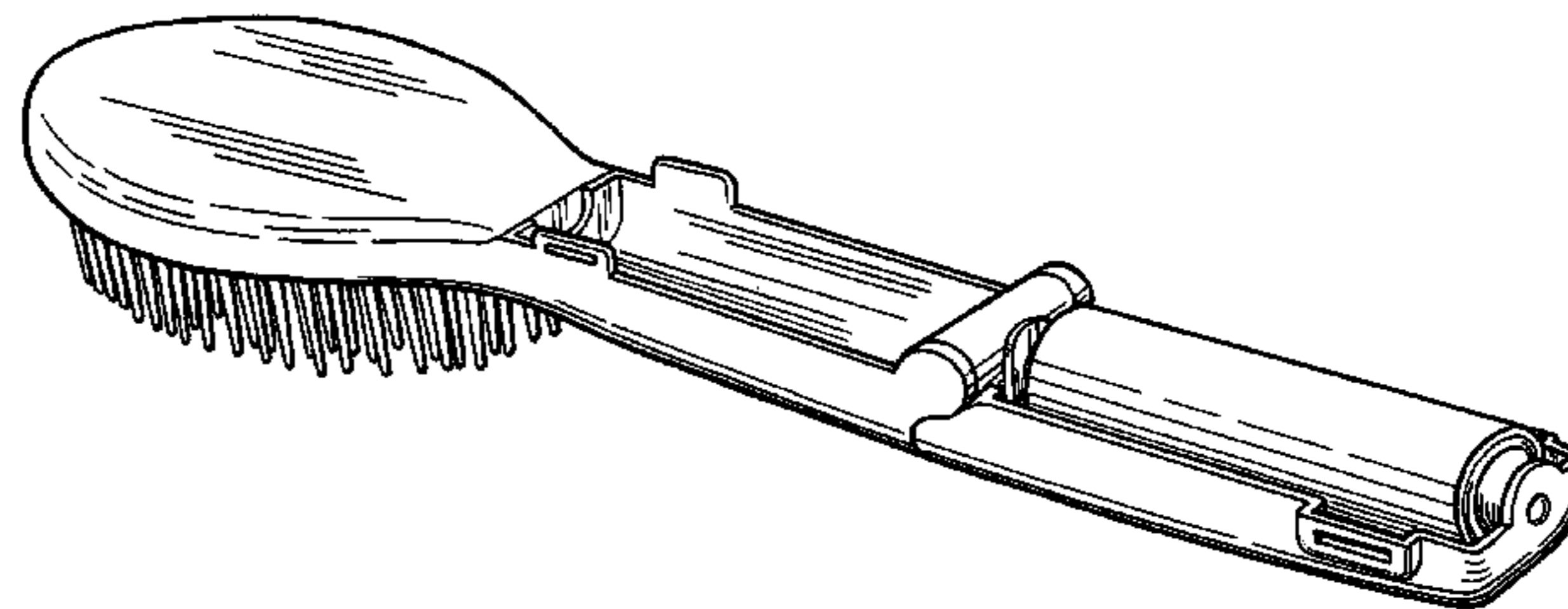
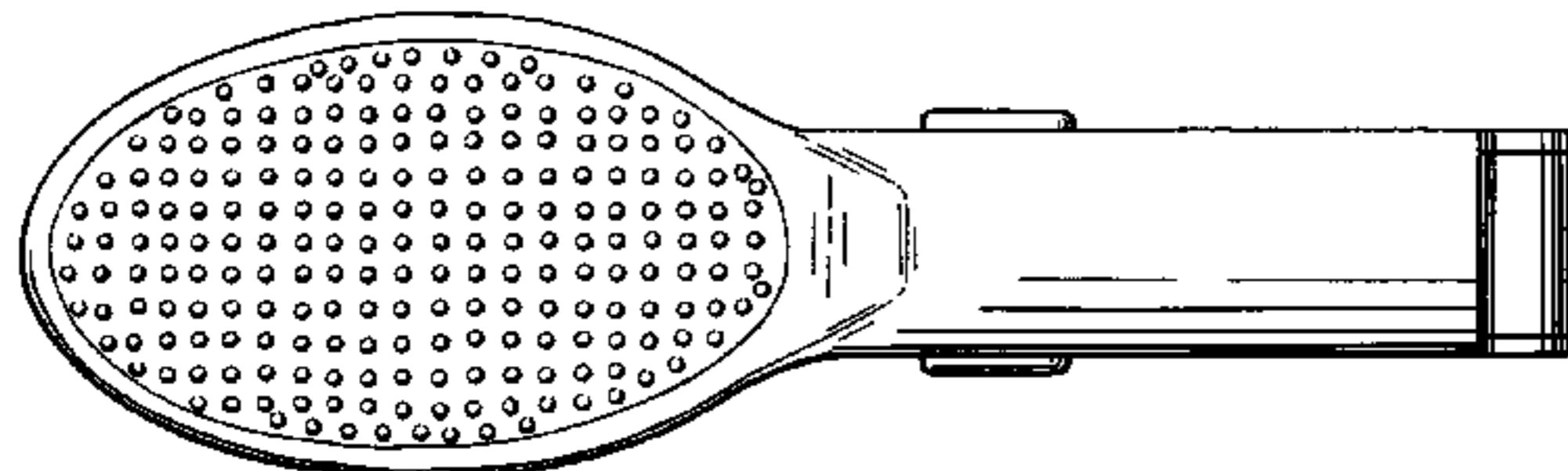
(57) **CLAIM**

I claim the ornamental design for the combination brush and tape roller, as shown and described.

**DESCRIPTION**

FIG. 1 is a perspective view of the invention with the handle in the closed position, showing my new design;  
 FIG. 2 is a top plan view thereof;  
 FIG. 3 is a bottom plan view thereof;  
 FIG. 4 is a side elevational view thereof; the opposite side being a mirror image;  
 FIG. 5 is a front end view thereof;  
 FIG. 6 is a rear end view thereof;  
 FIG. 7 is a perspective view of the invention with the handle in the open position;  
 FIG. 8 is a top plan view thereof;  
 FIG. 9 is a bottom plan view thereof;  
 FIG. 10 is a side elevational view thereof; the opposite side being a mirror image;  
 FIG. 11 is a front end view thereof; and,  
 FIG. 12 is a rear end view thereof.

**1 Claim, 4 Drawing Sheets**



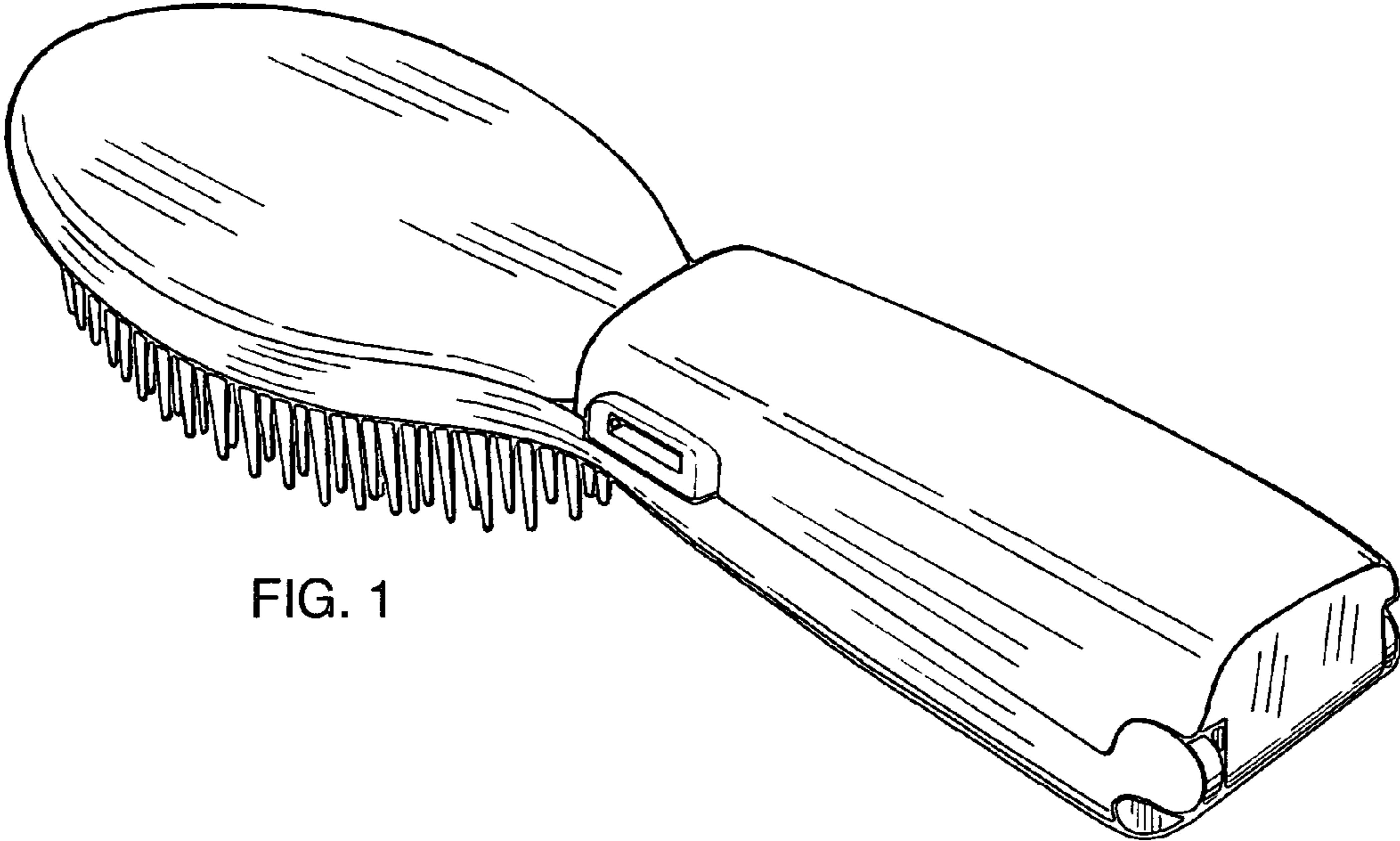


FIG. 1

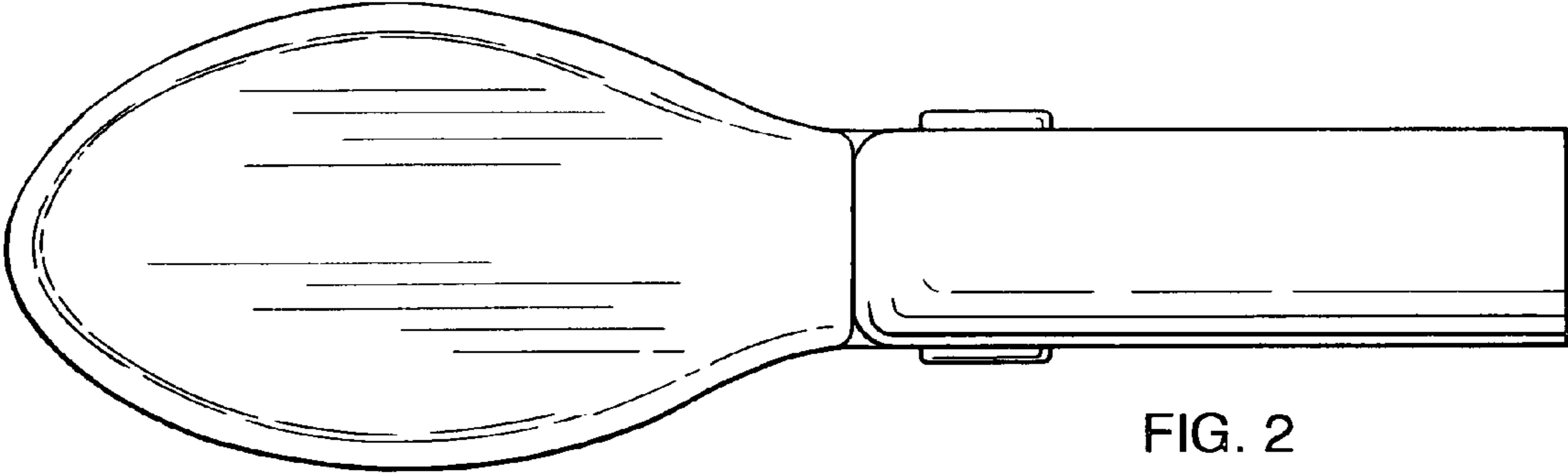


FIG. 2

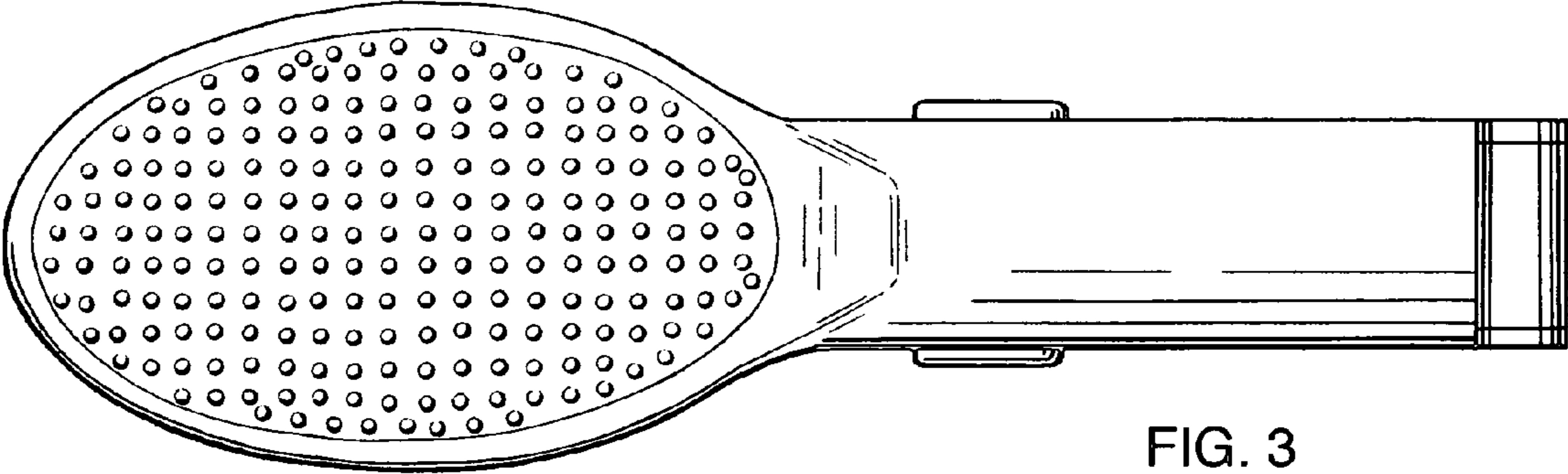


FIG. 3

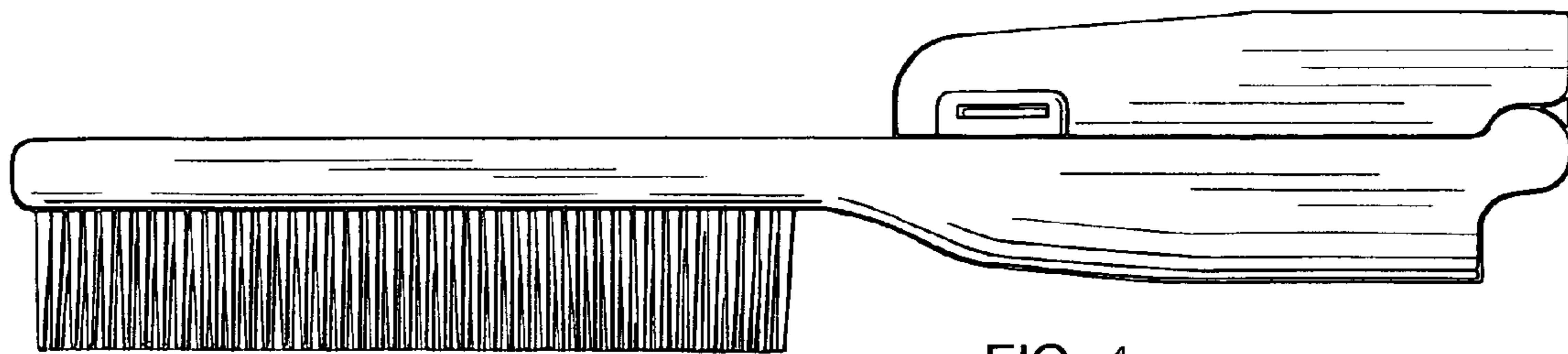


FIG. 4

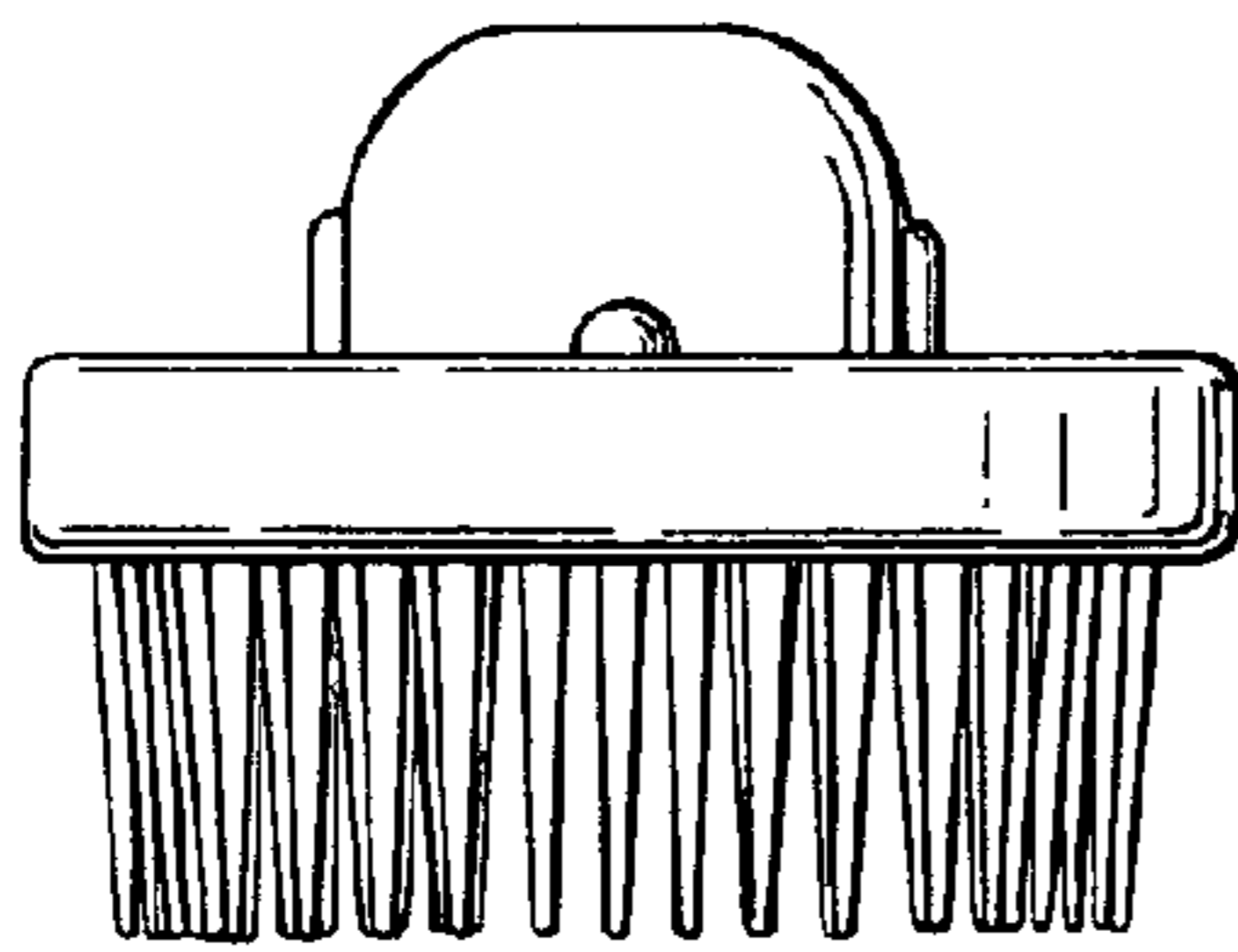


Fig. 5

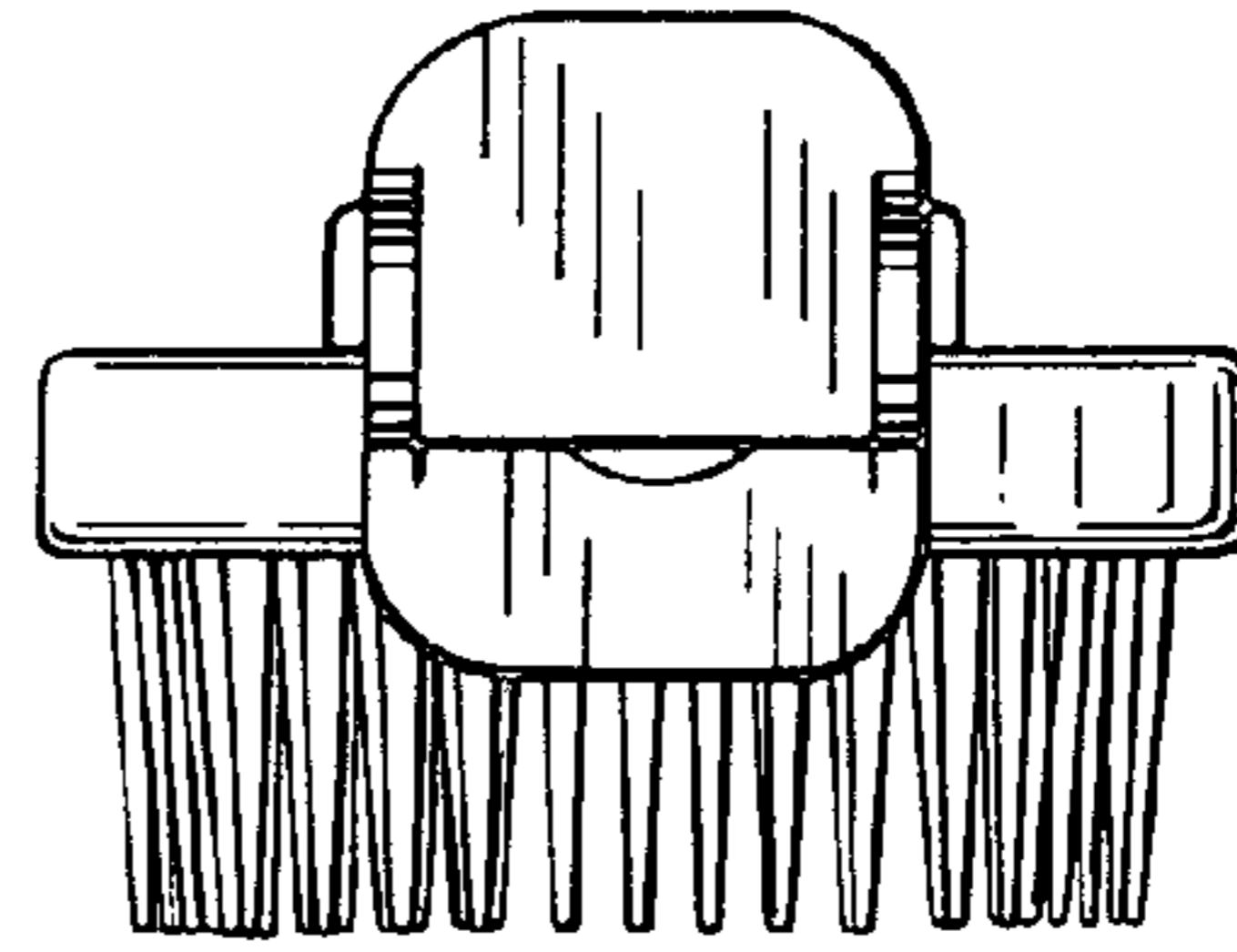


Fig. 6

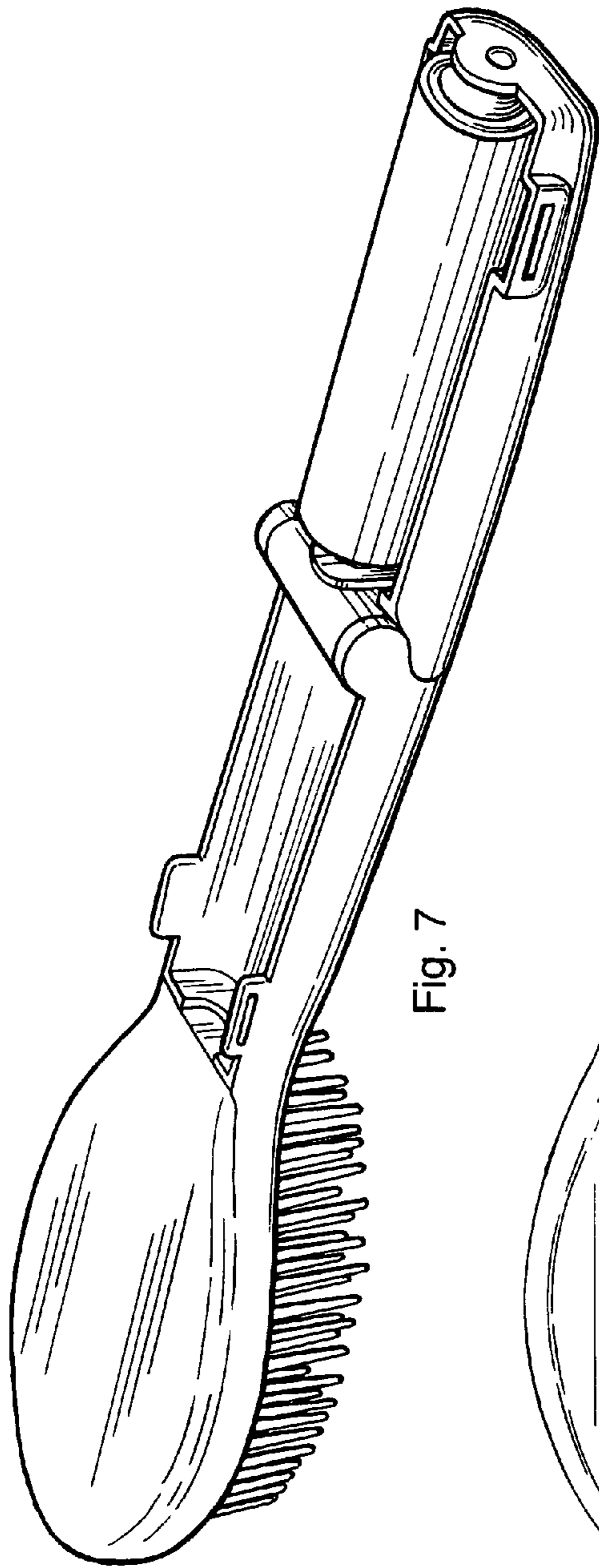


Fig. 7

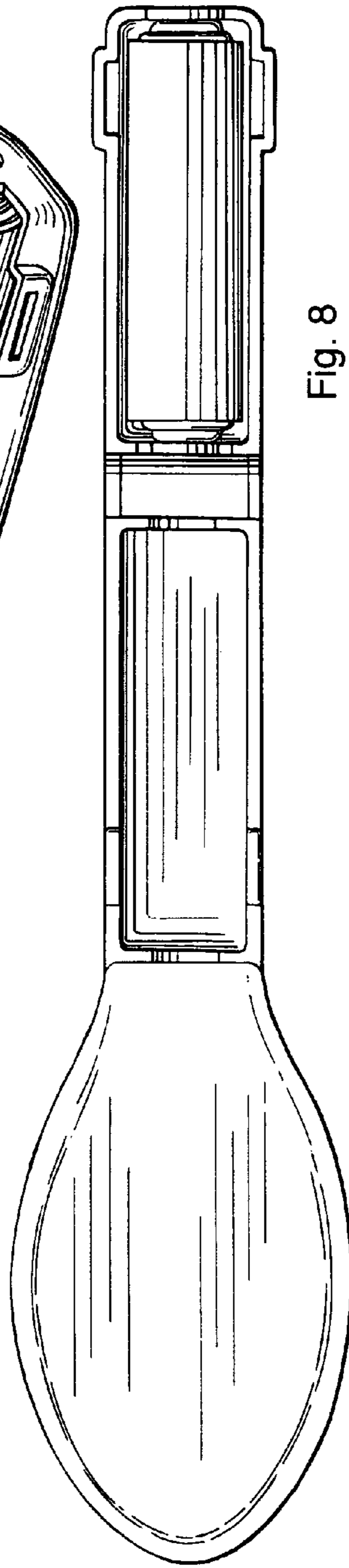


Fig. 8

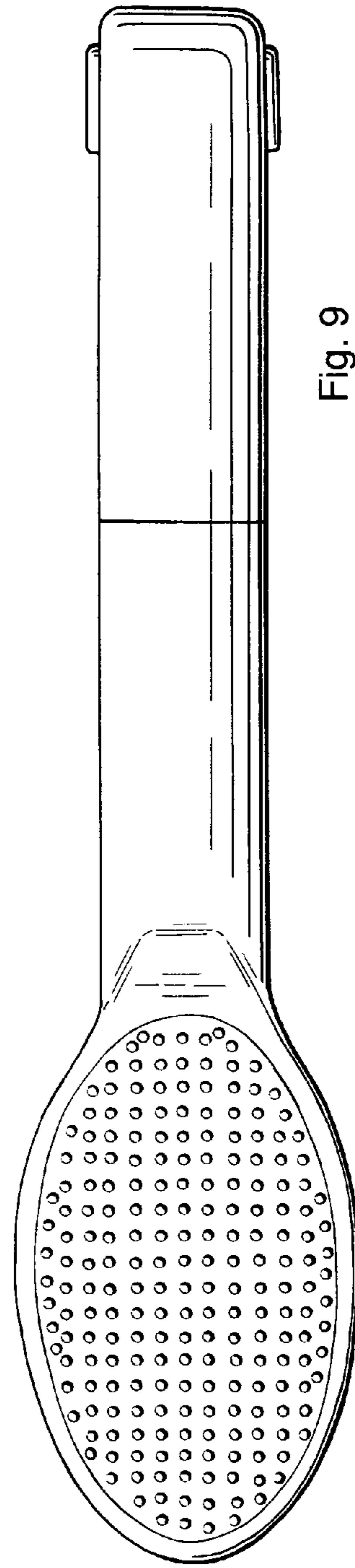


Fig. 9

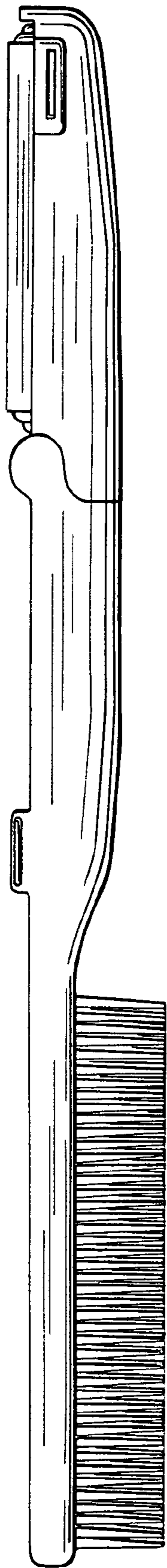


Fig. 10

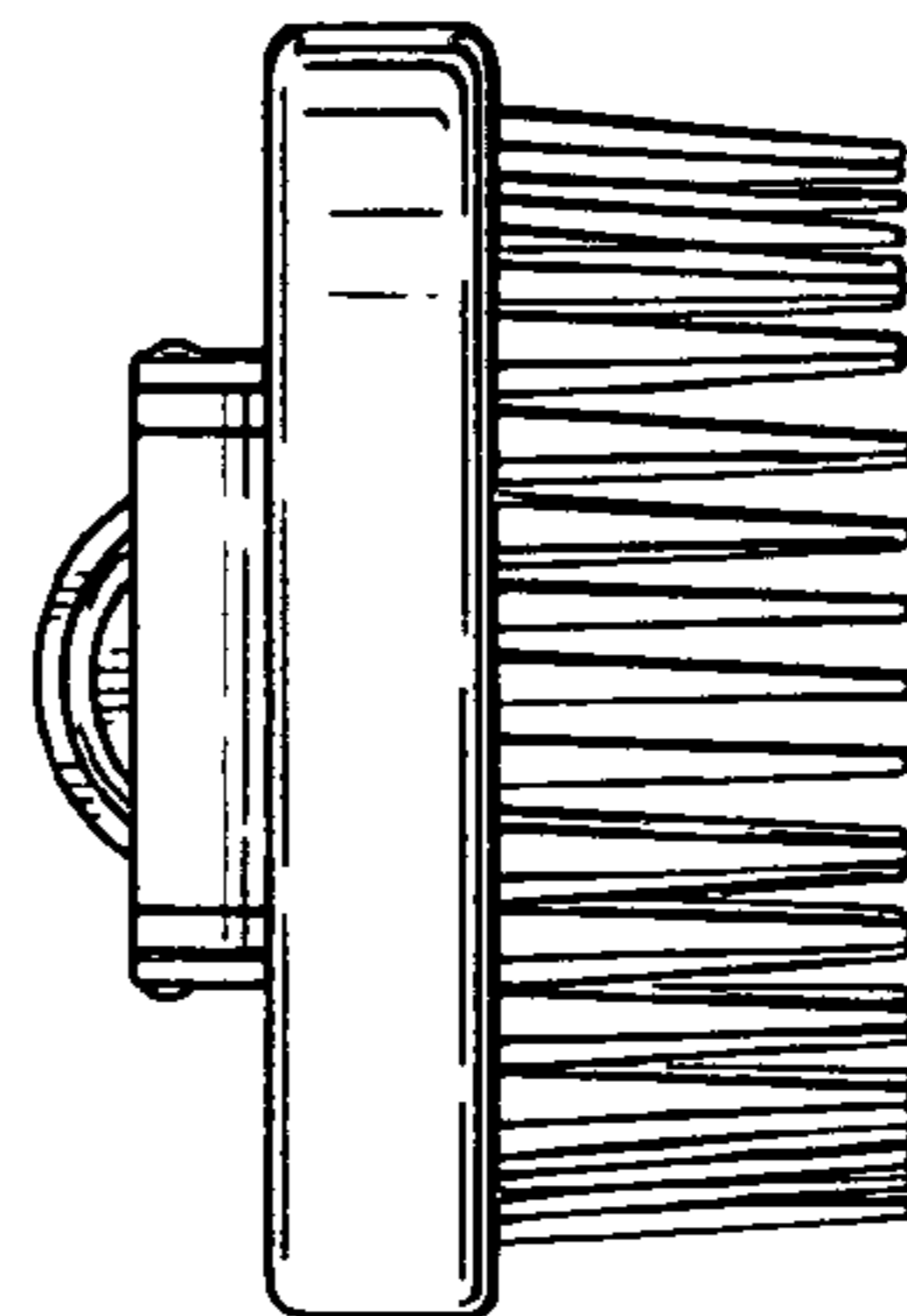


Fig. 11

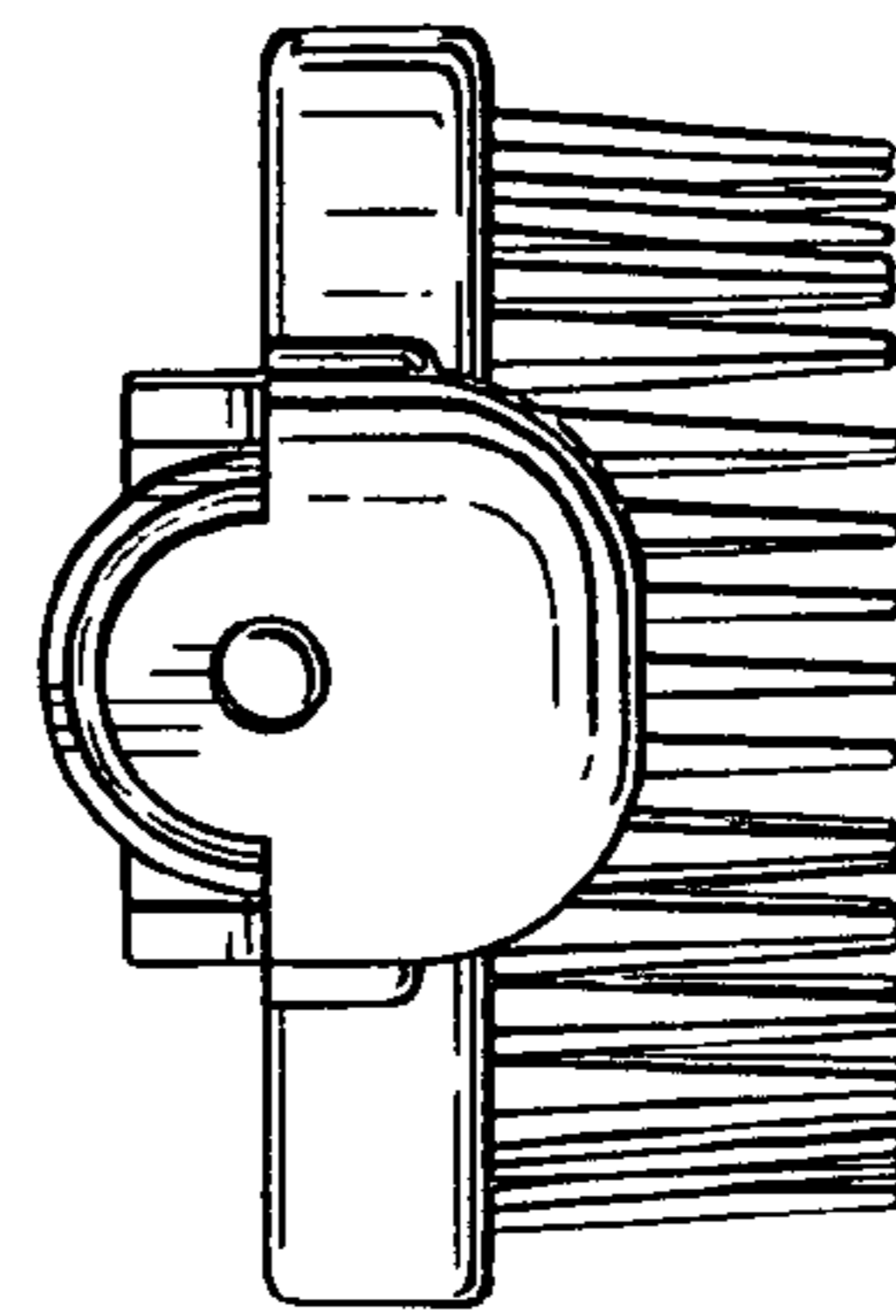


Fig. 12