



US00D634125S

(12) **United States Design Patent**
Adams

(10) **Patent No.:** **US D634,125 S**
(45) **Date of Patent:** **** Mar. 15, 2011**

- (54) **LUGGAGE SUSPENSION DEVICE**
- (76) Inventor: **William C. Adams**, Rohnert Park, CA (US)
- (**) Term: **14 Years**
- (21) Appl. No.: **29/350,591**
- (22) Filed: **Nov. 19, 2009**
- (51) **LOC (9) Cl.** **03-01**
- (52) **U.S. Cl.** **D3/318**
- (58) **Field of Classification Search** D3/273, D3/284, 318, 303, 287, 283, 285-286, 290; 190/108-114, 125, 24, 115-117, 119
See application file for complete search history.

- D571,102 S * 6/2008 Gostt et al. D3/244
- D581,659 S * 12/2008 Sassi D3/232
- D582,666 S * 12/2008 Javits, Jr. D3/232

* cited by examiner

Primary Examiner — Holly H Baynham
(74) *Attorney, Agent, or Firm* — Craig M. Stainbrook; Stainbrook & Stainbrook, LLP

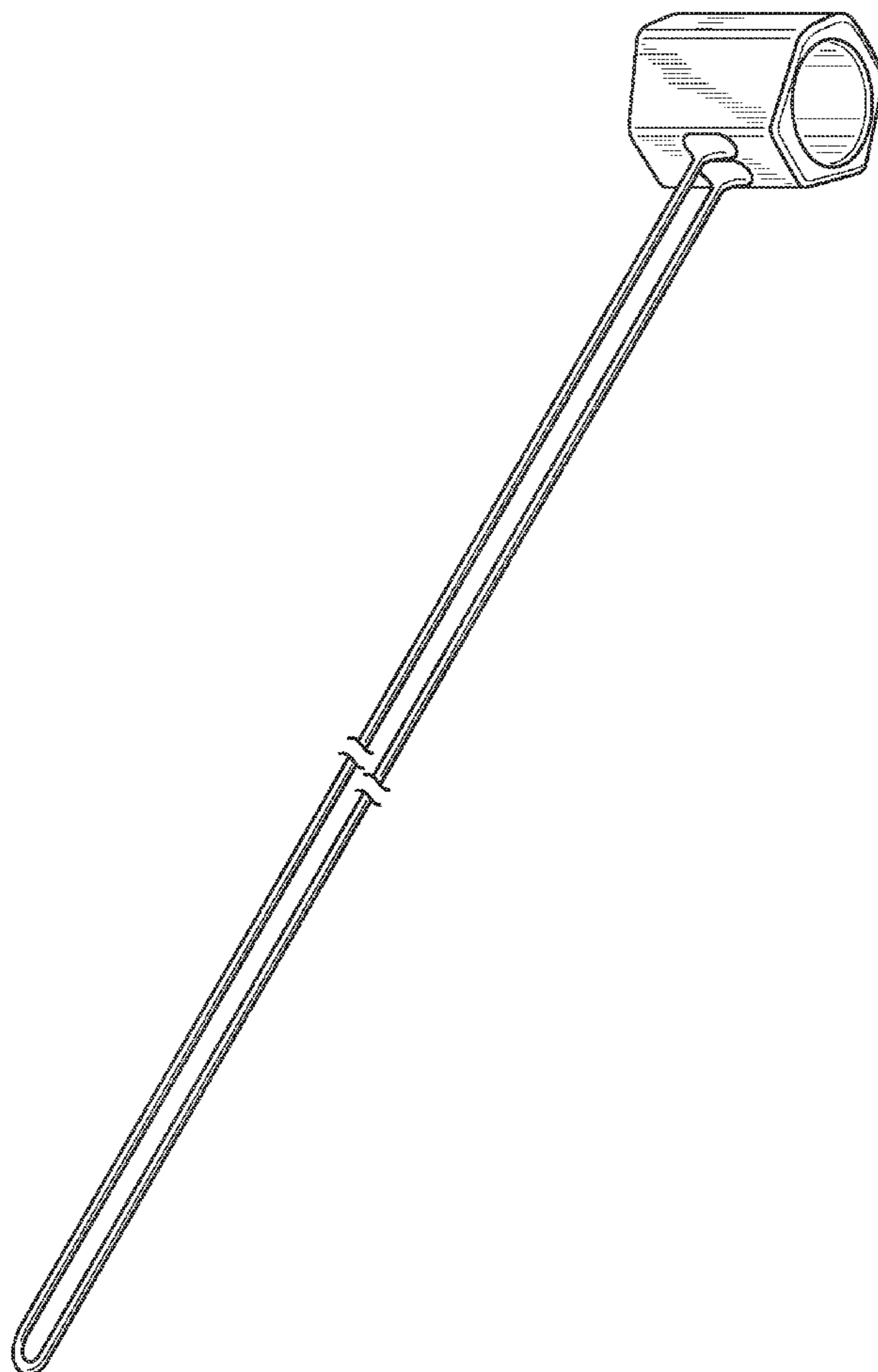
(57) **CLAIM**
The ornamental design for a luggage suspension device, as shown and described.

DESCRIPTION

FIG. 1 is a lower right front perspective view;
FIG. 2 is a front elevation view;
FIG. 3 is a left side elevational view, the right side is a mirror image thereof;
FIG. 4 is a rear elevational view;
FIG. 5 is a top plan view; and,
FIG. 6 is a bottom plan view.
The broken lines showing of the article are for purposes of illustration only and form no part of the claimed design.

- (56) **References Cited**
- U.S. PATENT DOCUMENTS
- 4,261,448 A * 4/1981 Myers et al. 190/115
- D528,295 S * 9/2006 Harvey D3/252
- 7,258,406 B2 * 8/2007 Stephan et al. 312/246
- D555,431 S * 11/2007 Gostt et al. D7/607

1 Claim, 2 Drawing Sheets



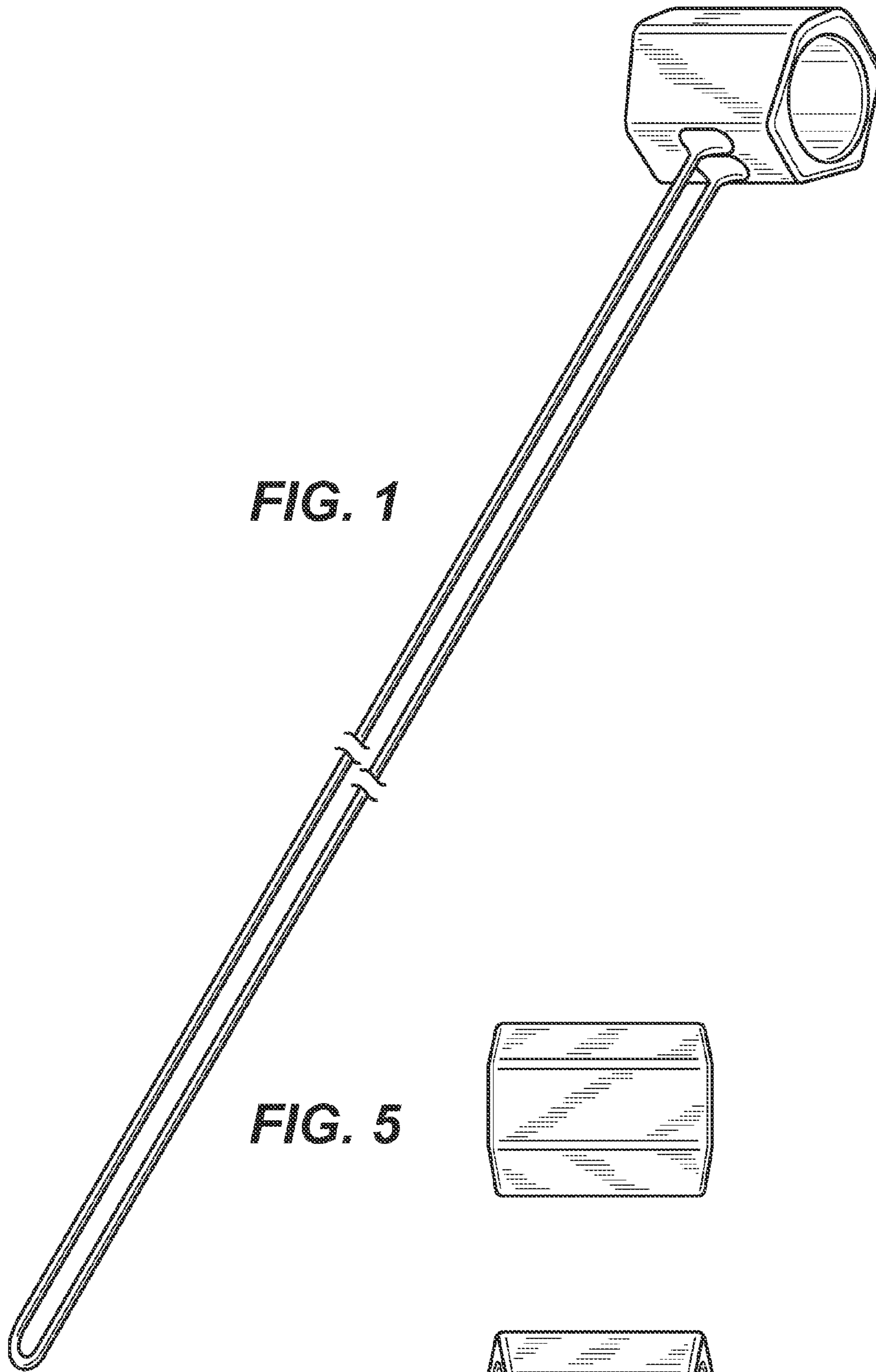


FIG. 1



FIG. 5

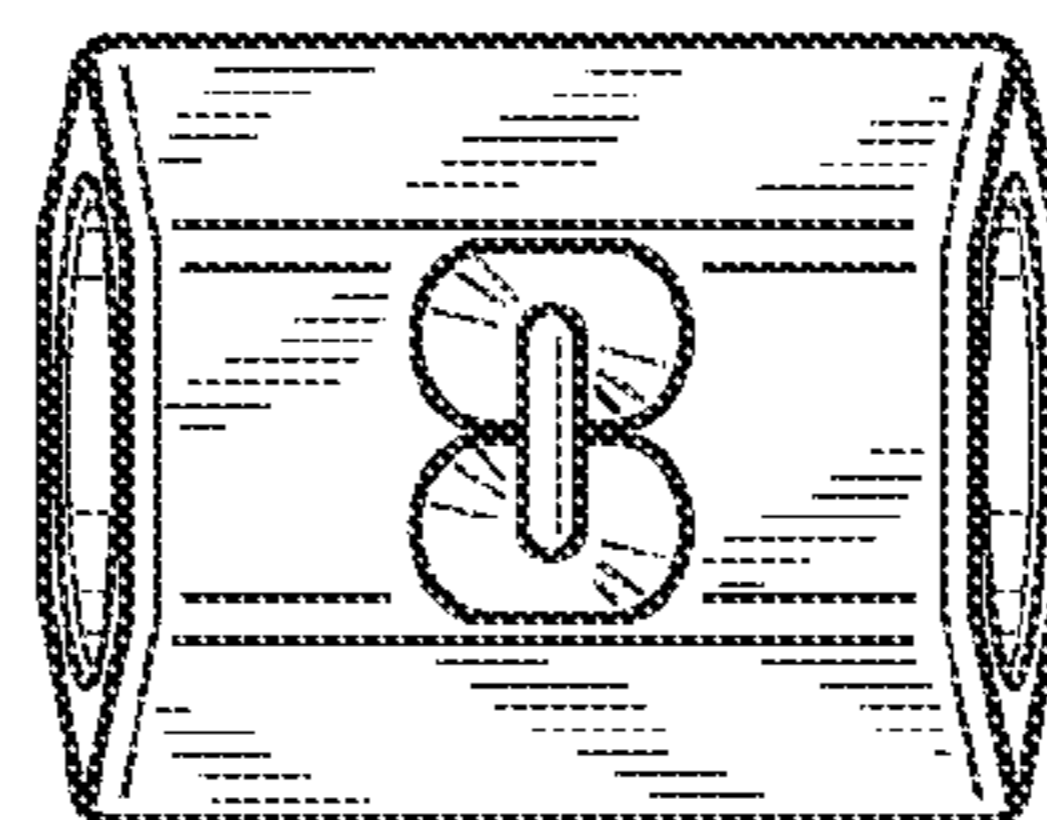


FIG. 6

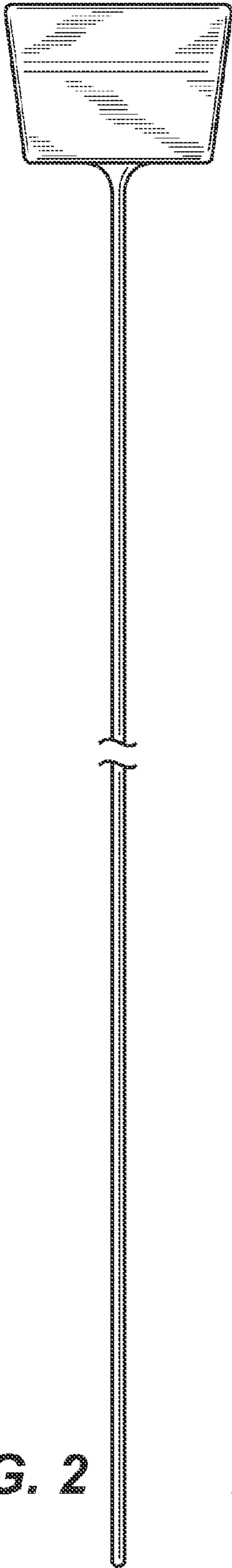


FIG. 2

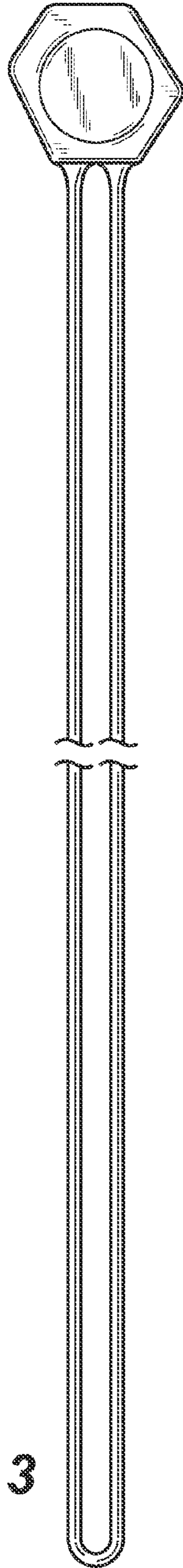


FIG. 3

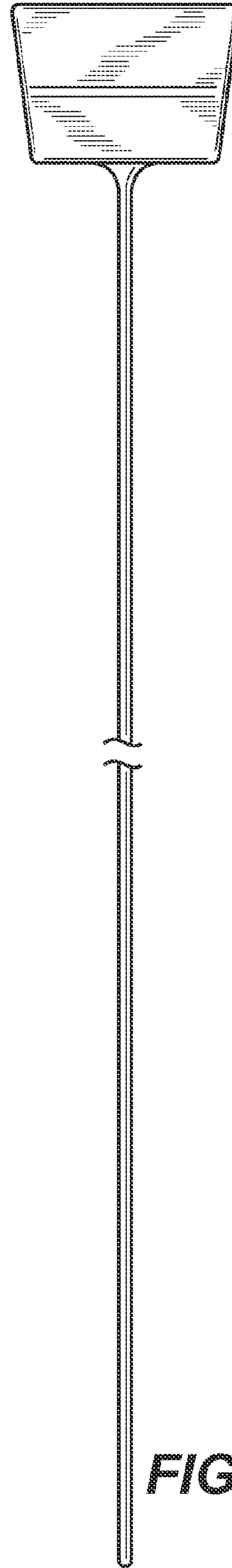


FIG. 4