



US00D634124S

(12) **United States Design Patent**  
**Fair**

(10) **Patent No.:** **US D634,124 S**

(45) **Date of Patent:** **\*\* Mar. 15, 2011**

(54) **LUGGAGE WHEEL**

(75) **Inventor:** **Paul Fair**, Denver, CO (US)

(73) **Assignee:** **Thule Organization Solutions, Inc.**,  
Longmont, CO (US)

(\*\*) **Term:** **14 Years**

(21) **Appl. No.:** **29/346,616**

(22) **Filed:** **Nov. 3, 2009**

(51) **LOC (9) Cl.** ..... **03-01**

(52) **U.S. Cl.** ..... **D3/318**

(58) **Field of Classification Search** ..... D3/318,  
D3/273, 279, 281, 283, 286-287; 190/18 A,  
190/18 R, 24, 103, 39, 115, 117, 119, 108;  
16/45; D8/375

See application file for complete search history.

(56) **References Cited**

**U.S. PATENT DOCUMENTS**

D283,950 S	*	5/1986	Markowitz	.....	D3/247
D468,098 S		1/2003	Lu		
D470,747 S		2/2003	Chi		
D473,379 S		4/2003	Moon		
D477,261 S		7/2003	Lin		
D522,753 S		6/2006	Moon		

D541,047 S	*	4/2007	Moon	.....	D3/318
D541,048 S	*	4/2007	Moon	.....	D3/318
D576,795 S	*	9/2008	Moon	.....	D3/318
D599,400 S	*	9/2009	Lapsker	.....	D19/26

\* cited by examiner

*Primary Examiner* — Holly H Baynham

(74) *Attorney, Agent, or Firm* — Sheridan Ross P.C.

(57) **CLAIM**

The ornamental design for a luggage wheel, as shown and described.

**DESCRIPTION**

FIG. 1 is an environmental perspective view of a luggage wheel.

FIG. 2 is an enlarged perspective view thereof;

FIG. 3 is a front elevation view thereof;

FIG. 4 is a right elevation view thereof;

FIG. 5 is a rear elevation view thereof;

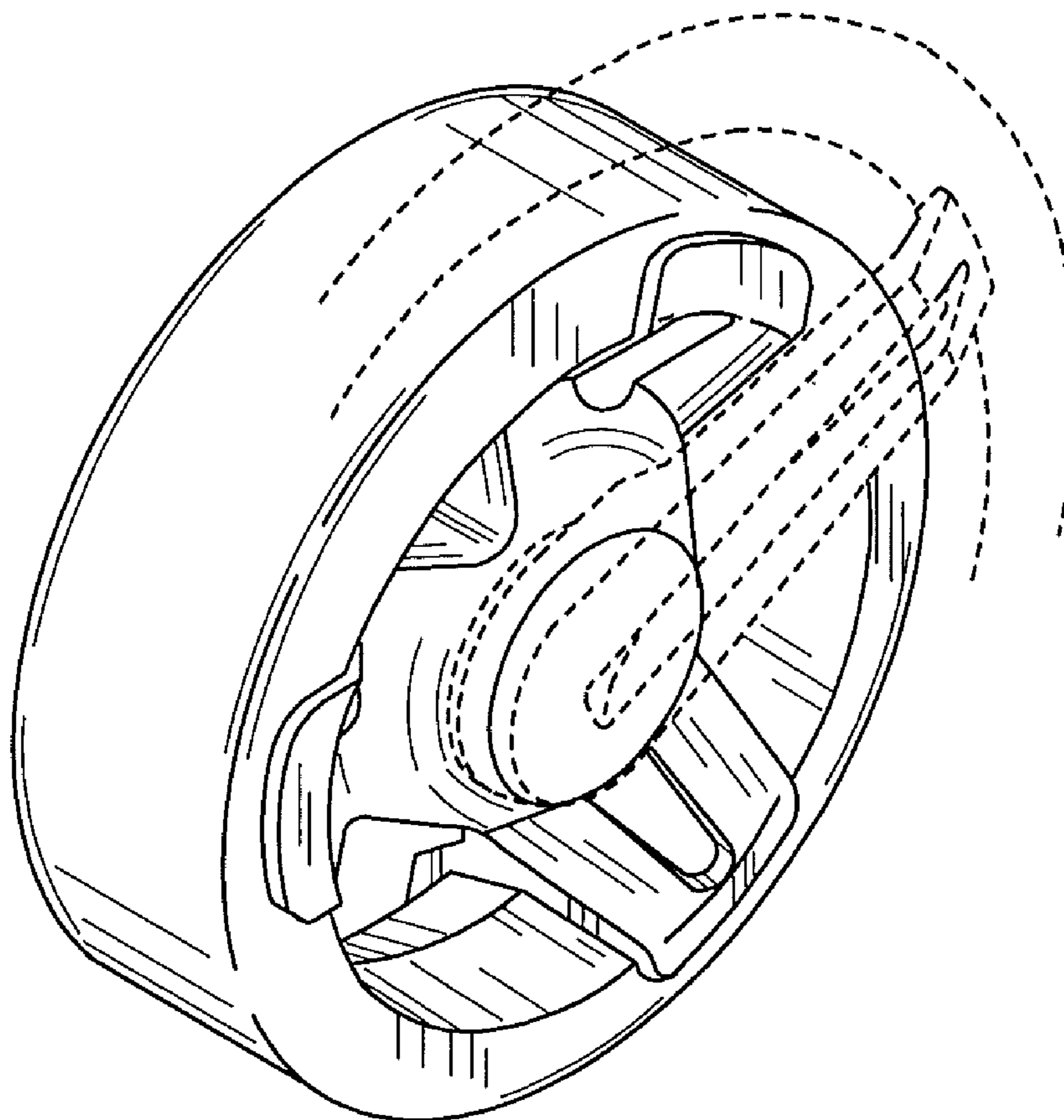
FIG. 6 is a left elevation view thereof;

FIG. 7 is a top plan view thereof; and,

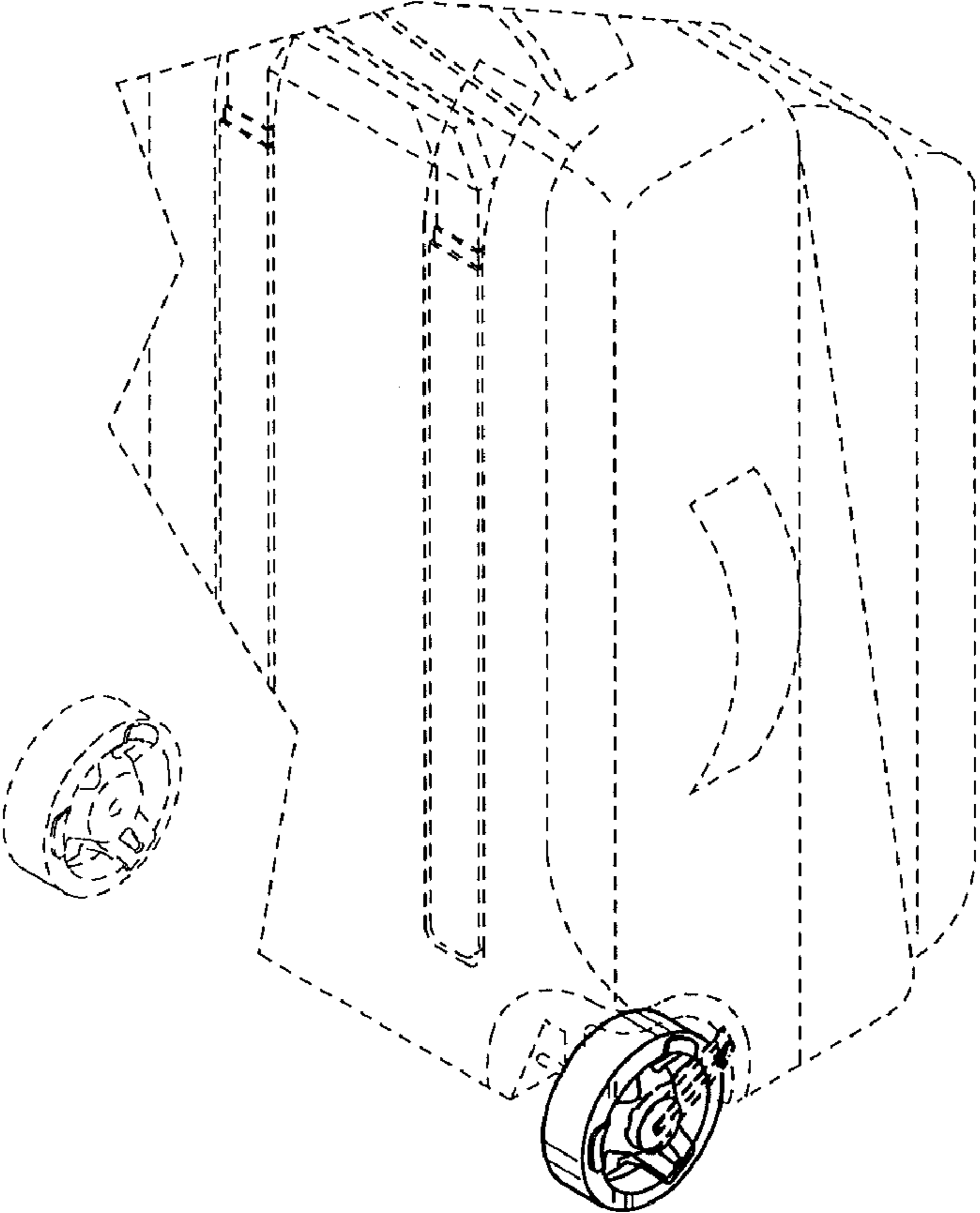
FIG. 8 is a bottom plan view thereof.

The broken line showing of a wheel, armature and a portion of luggage is included for the purpose of illustrating environment and forms no part of the claimed design.

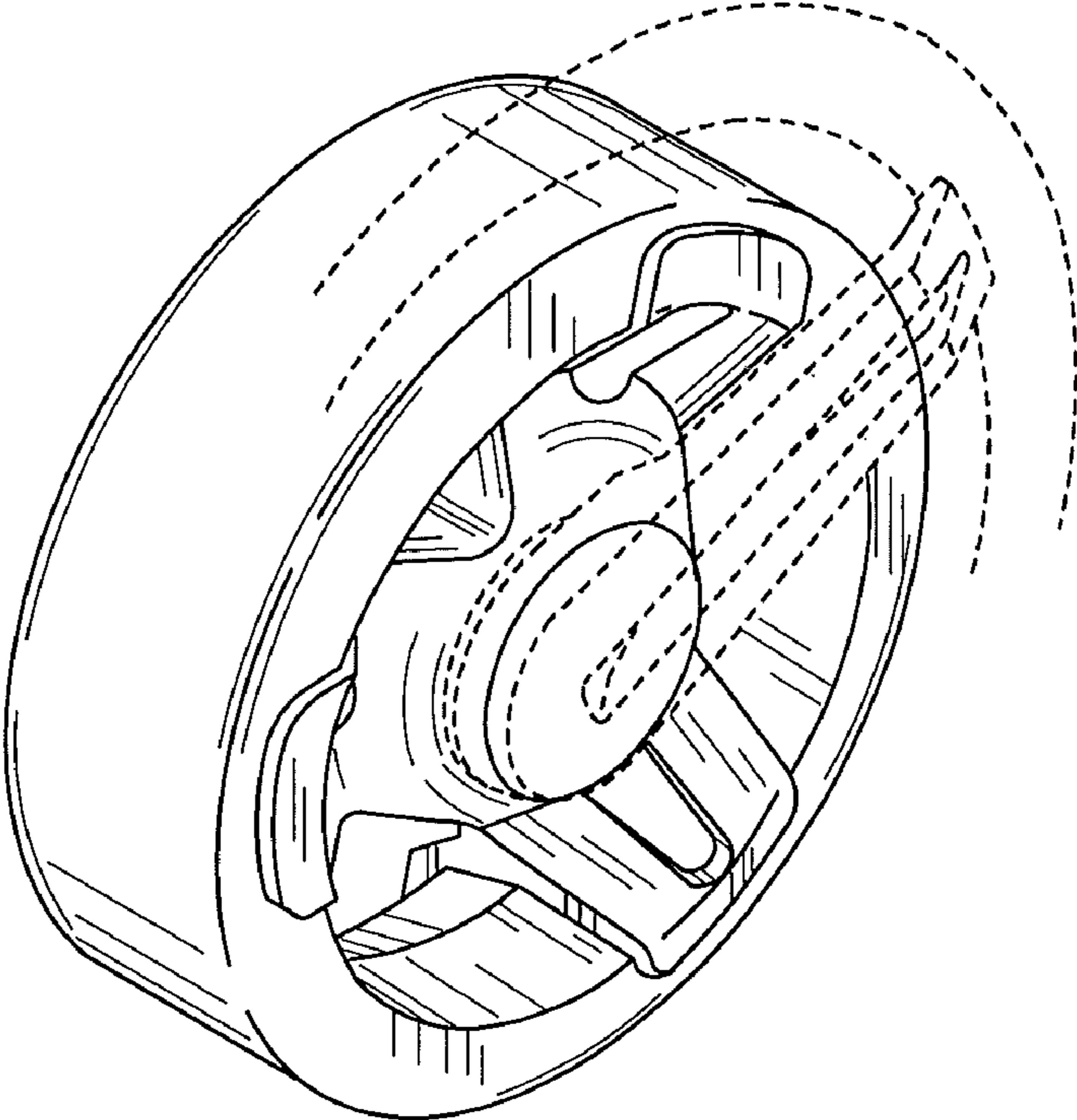
**1 Claim, 3 Drawing Sheets**

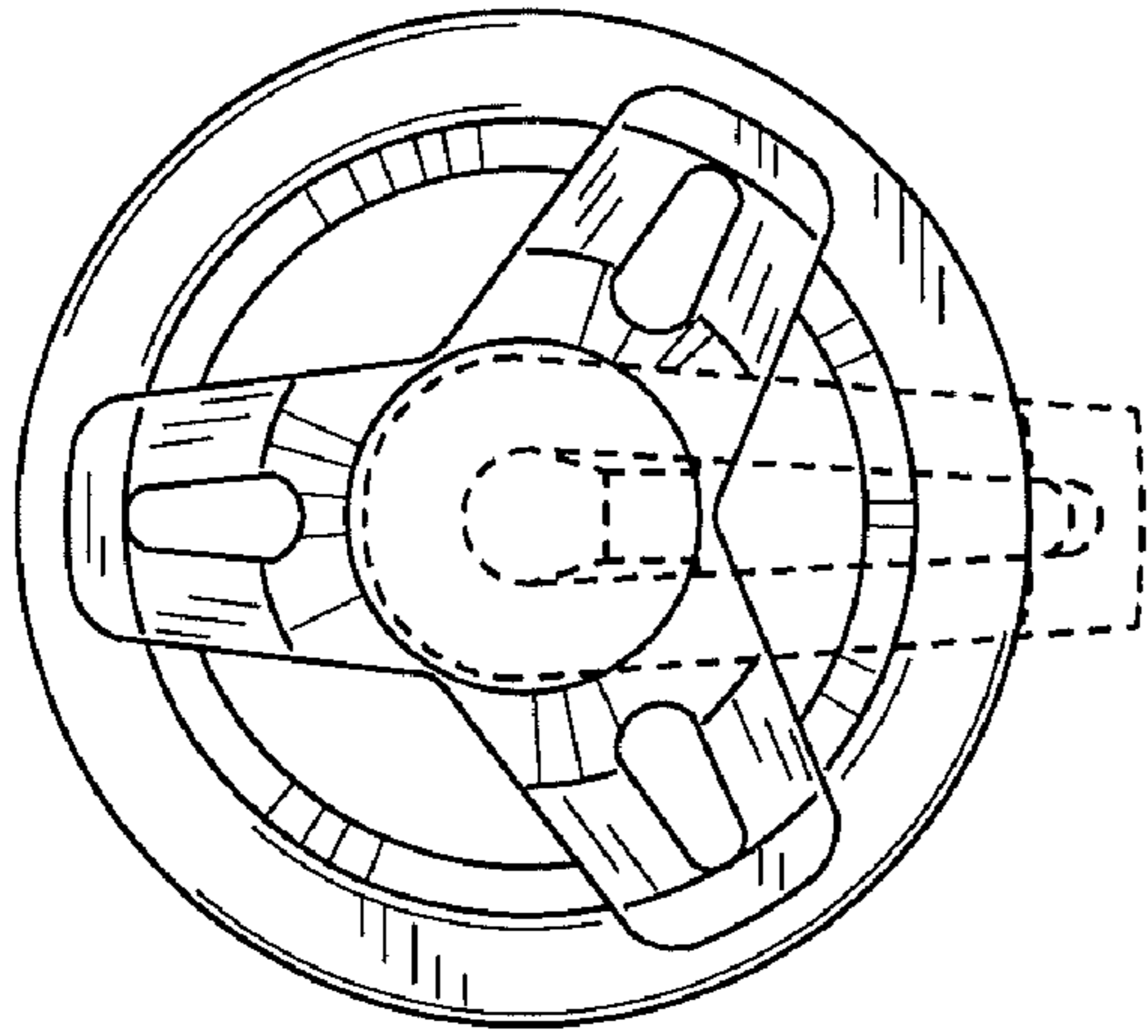


**Fig. 1**

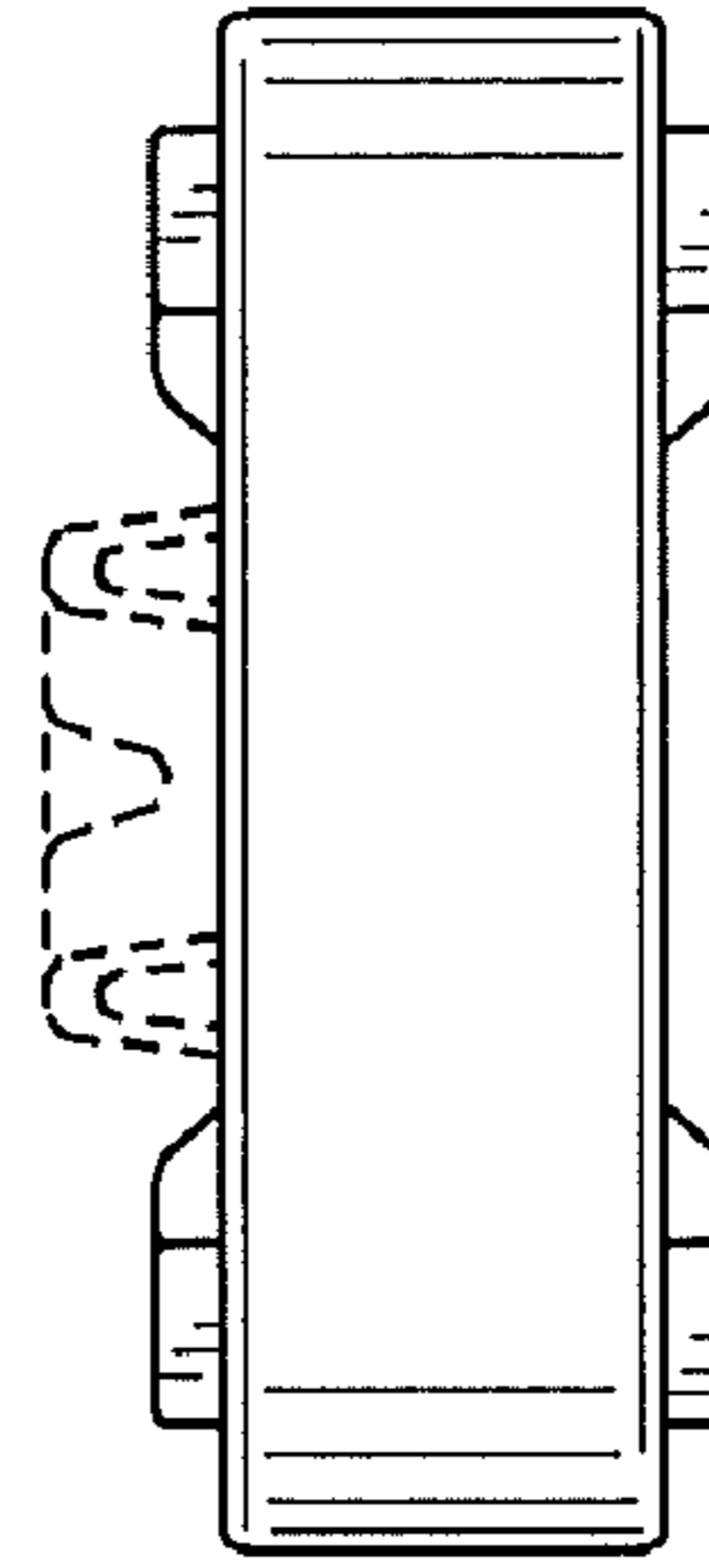


**Fig. 2**

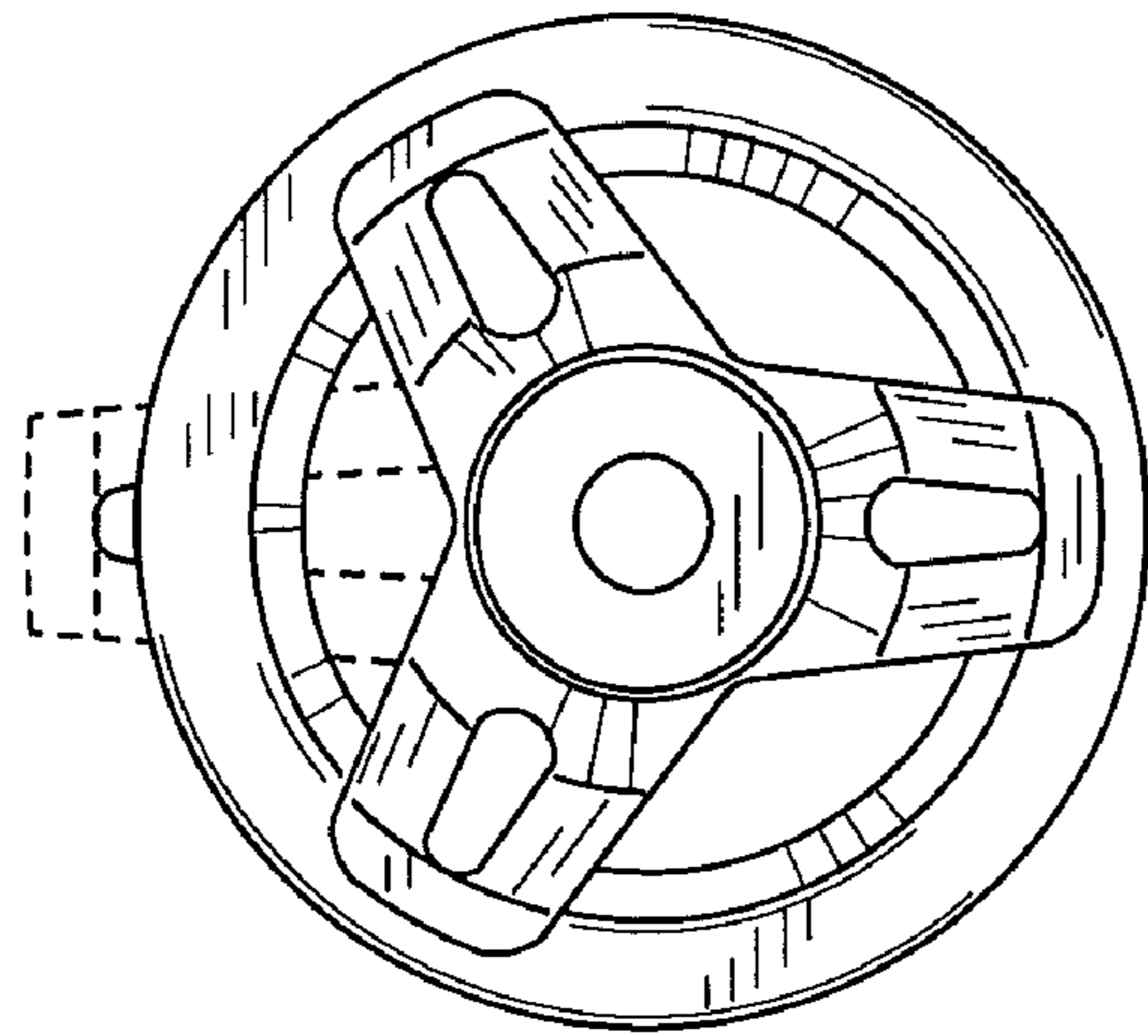




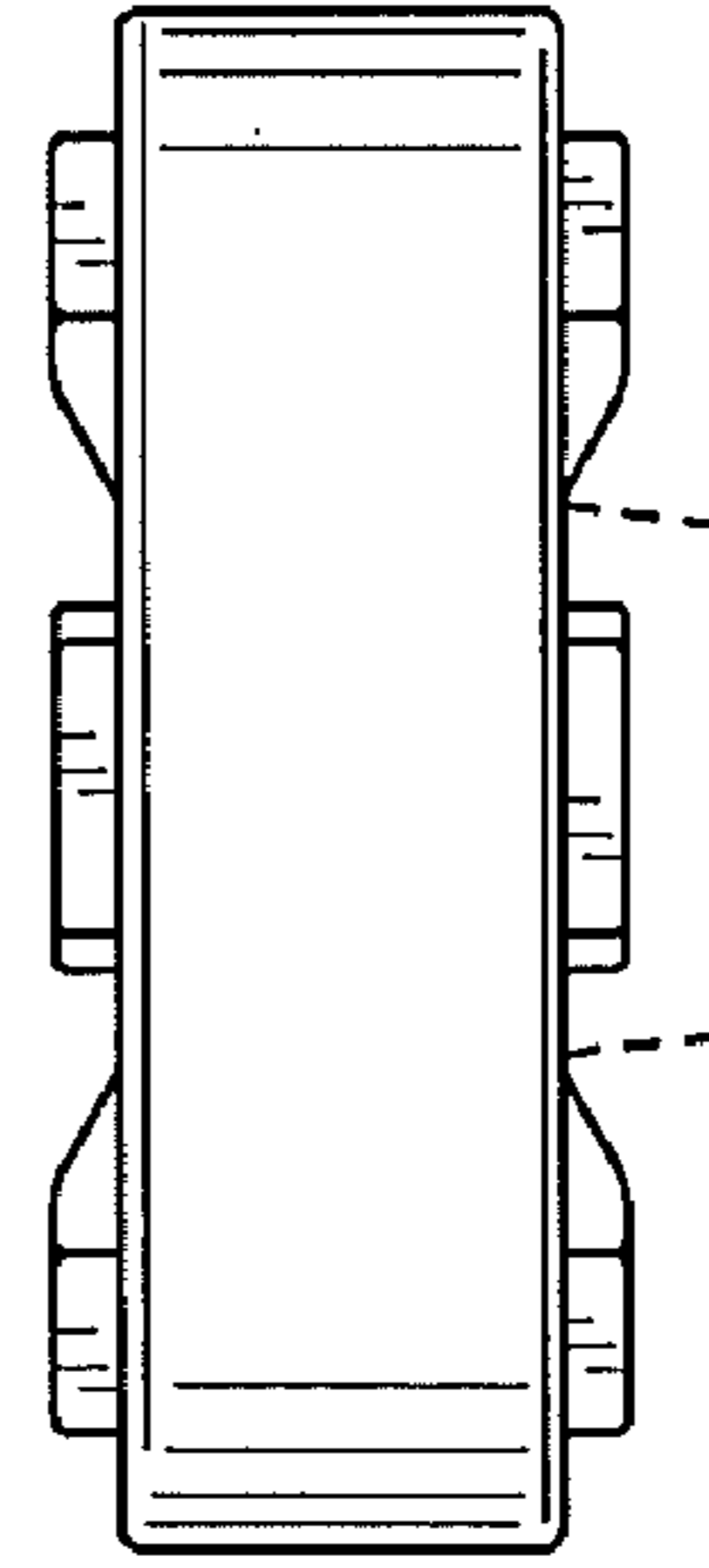
**Fig. 3**



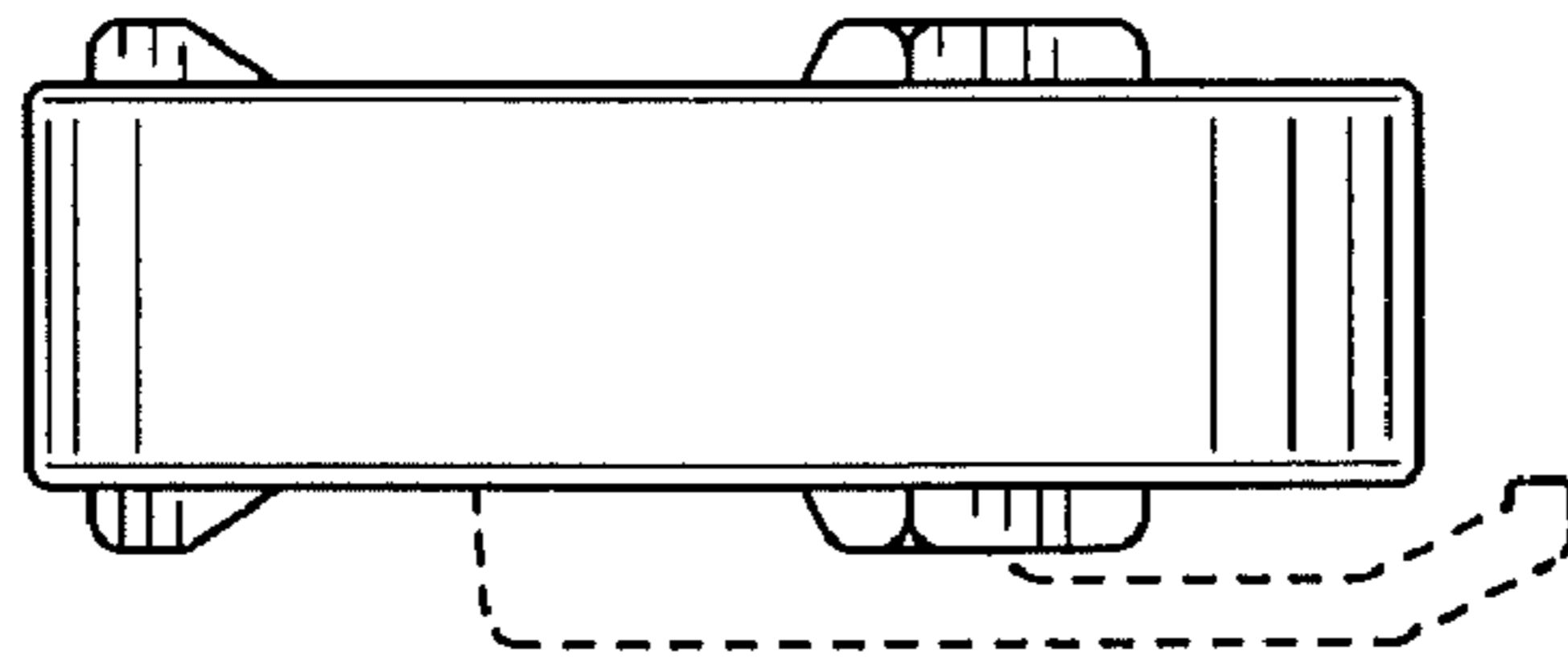
**Fig. 4**



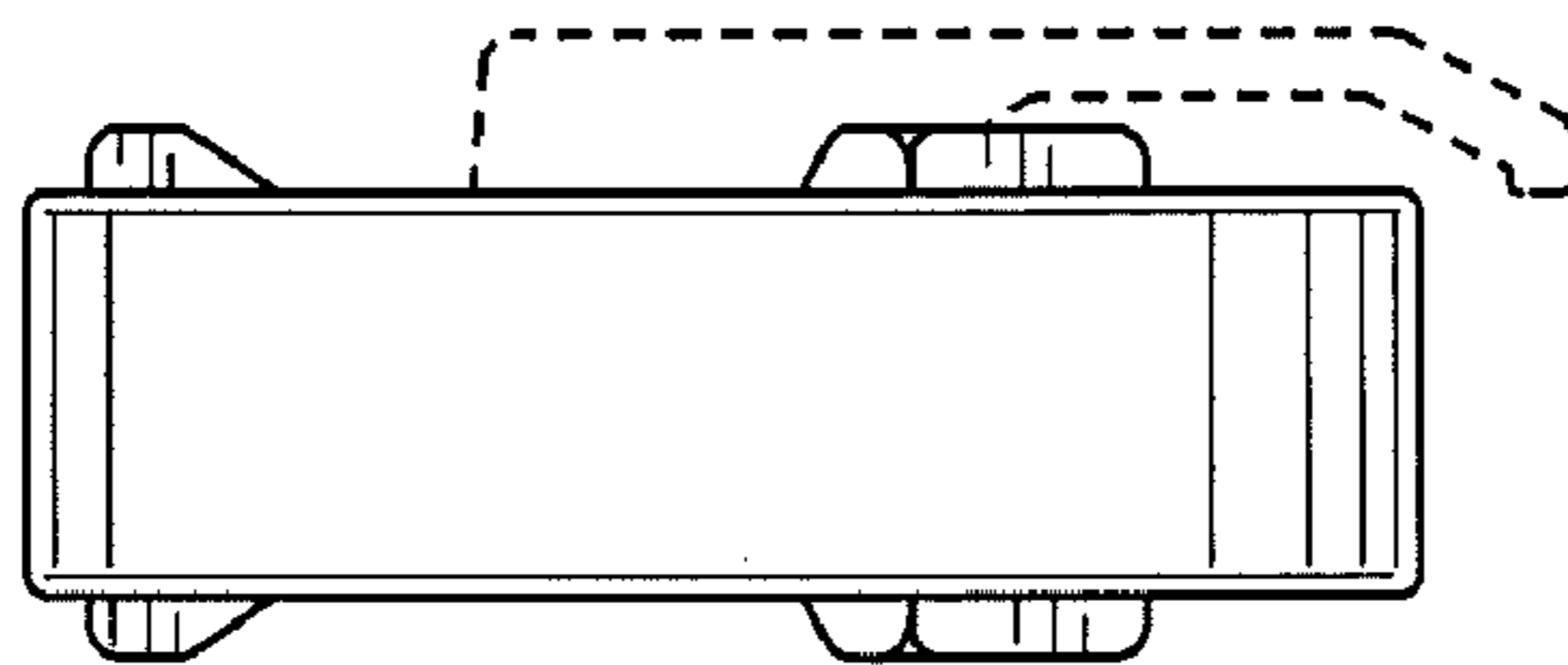
**Fig. 5**



**Fig. 6**



**Fig. 7**



**Fig. 8**