



US00D634123S

(12) **United States Design Patent**  
**Williams et al.**

(10) **Patent No.:** **US D634,123 S**

(45) **Date of Patent:** **\*\* Mar. 15, 2011**

(54) **POCKETS**

(76) Inventors: **Matthew G. Williams**, Lighthouse Point, FL (US); **Terrence P. Kinsky**, Alpharetta, GA (US)

(\*\*) Term: **14 Years**

(21) Appl. No.: **29/346,558**

(22) Filed: **Nov. 2, 2009**

(51) **LOC (9) Cl.** ..... **03-01**

(52) **U.S. Cl.** ..... **D3/318**

(58) **Field of Classification Search** ..... D3/273,  
D3/276, 285, 318; 206/372; 190/1, 107-115,  
190/100, 125

See application file for complete search history.

(56) **References Cited**

**U.S. PATENT DOCUMENTS**

6,109,402	A *	8/2000	Godshaw et al.	.....	190/108
D443,412	S *	6/2001	Conforti	.....	D3/243
6,776,271	B2 *	8/2004	Chen	.....	190/18 A
D557,899	S *	12/2007	Chang	.....	D3/318
D582,664	S *	12/2008	Degliobizzi	.....	D3/232

D600,909	S *	9/2009	Crook	.....	D3/232
D604,953	S *	12/2009	Chu et al.	.....	D3/318
D606,741	S *	12/2009	Zaharakos	.....	D3/232

\* cited by examiner

*Primary Examiner* — Holly H Baynham

(74) *Attorney, Agent, or Firm* — Duane Morris LLP; J. Rodman Steele, Jr.; Gregory M. Lefkowitz

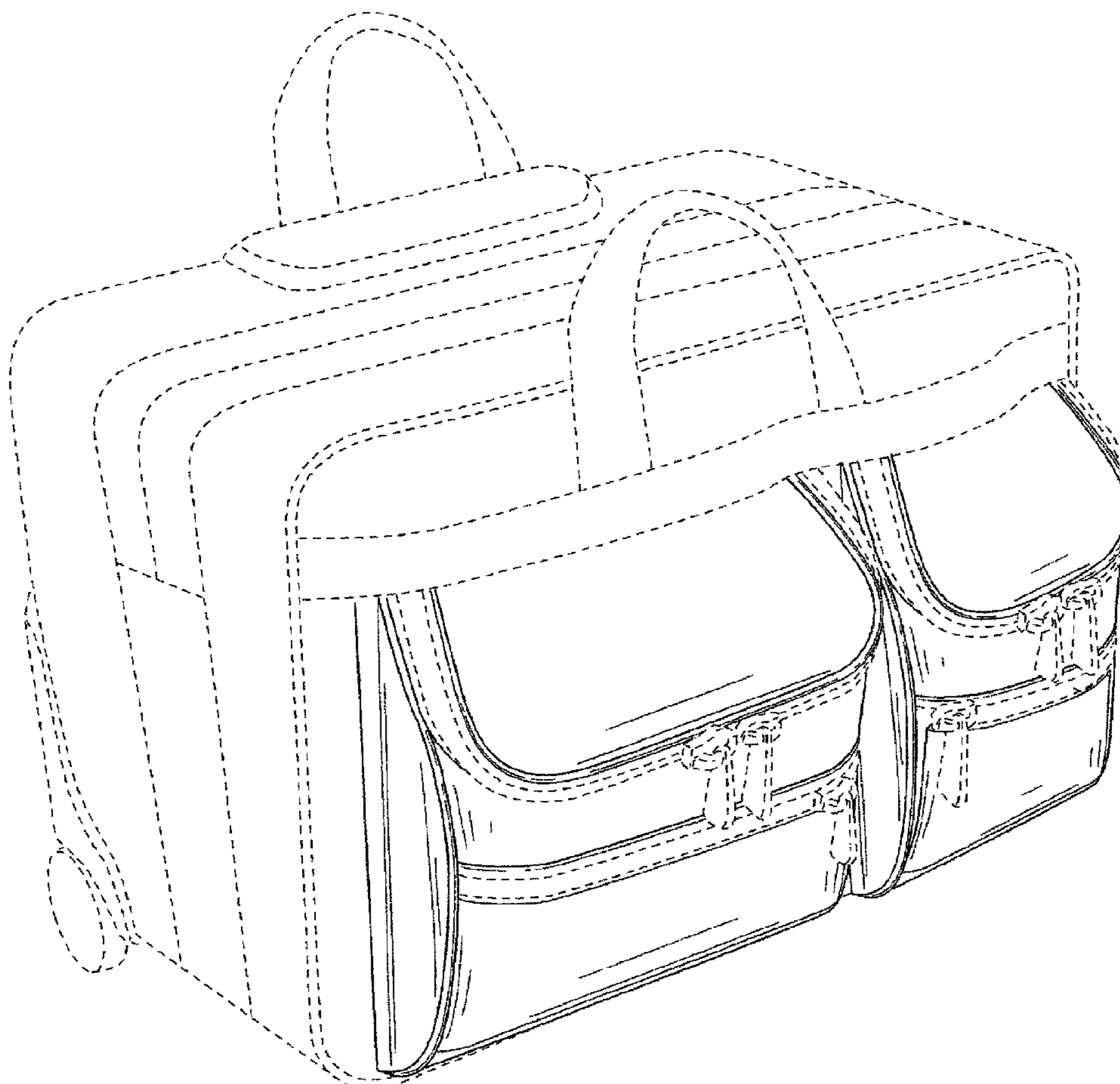
(57) **CLAIM**

The ornamental design for pockets, as shown and described.

**DESCRIPTION**

FIG. 1 is a perspective view of my ornamental design; FIG. 2 is a front elevation view of the ornamental design of FIG. 1; FIG. 3 is a rear elevation view of the ornamental design of FIG. 1; FIG. 4 is a left view of the ornamental design of FIG. 1; FIG. 5 is a right view of the ornamental design of FIG. 1; FIG. 6 is a top view of the ornamental design of FIG. 1; and, FIG. 7 is a bottom view of the ornamental design of FIG. 1. The broken line showing of portion of a bag and stitching is included for the purpose of illustrating environment and forms no part of the claimed design.

**1 Claim, 7 Drawing Sheets**



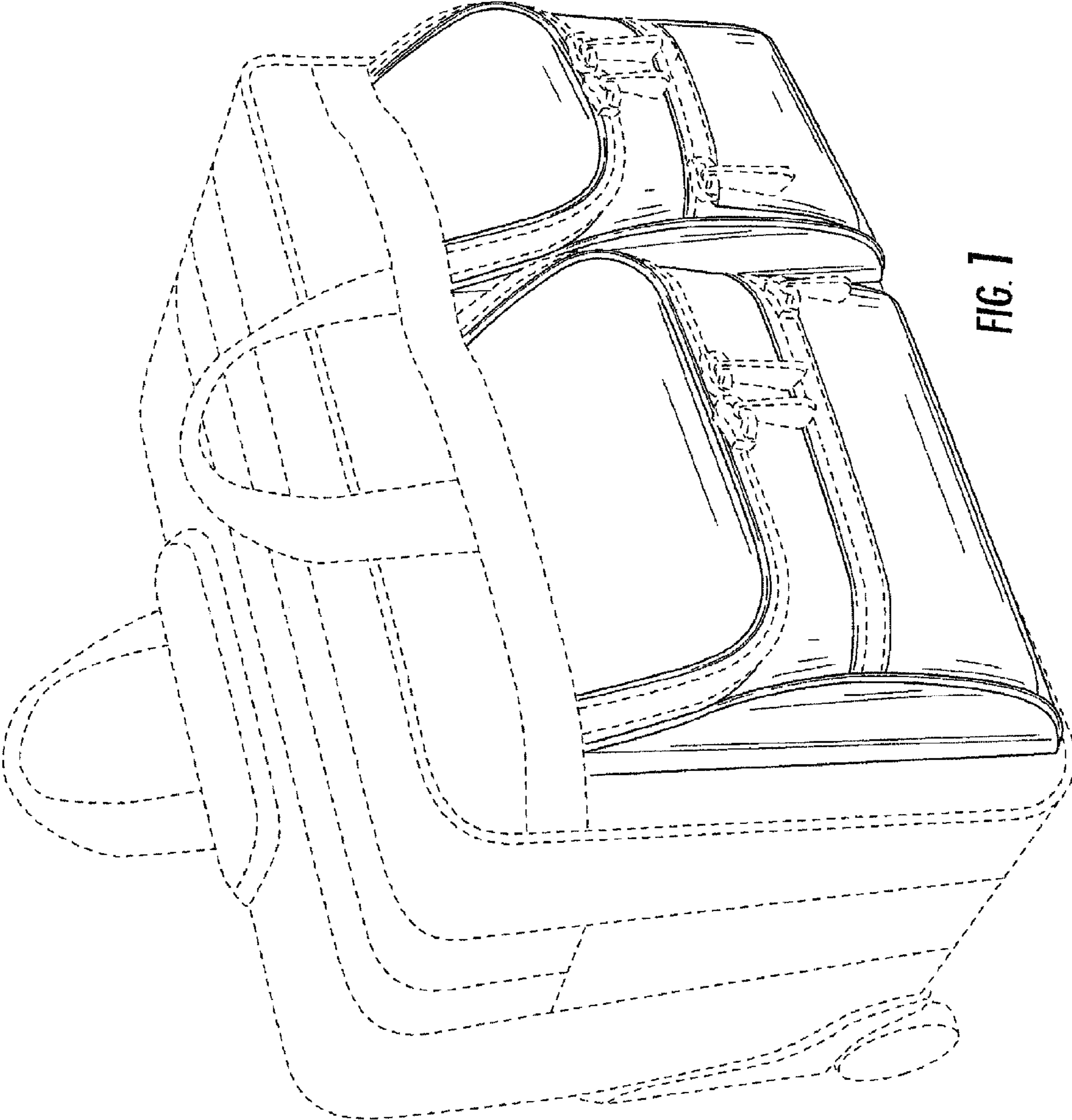


FIG. 7

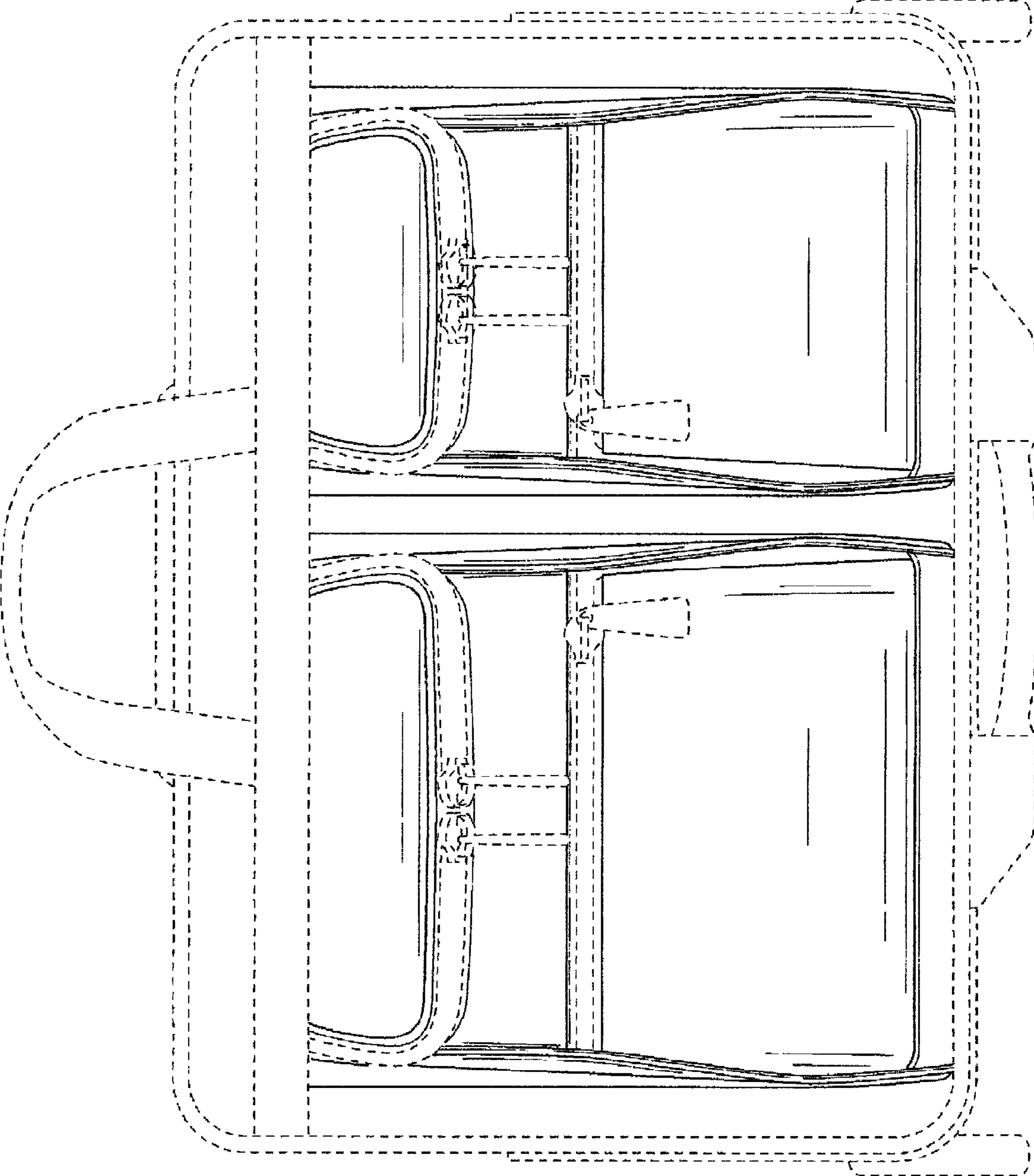


FIG. 2

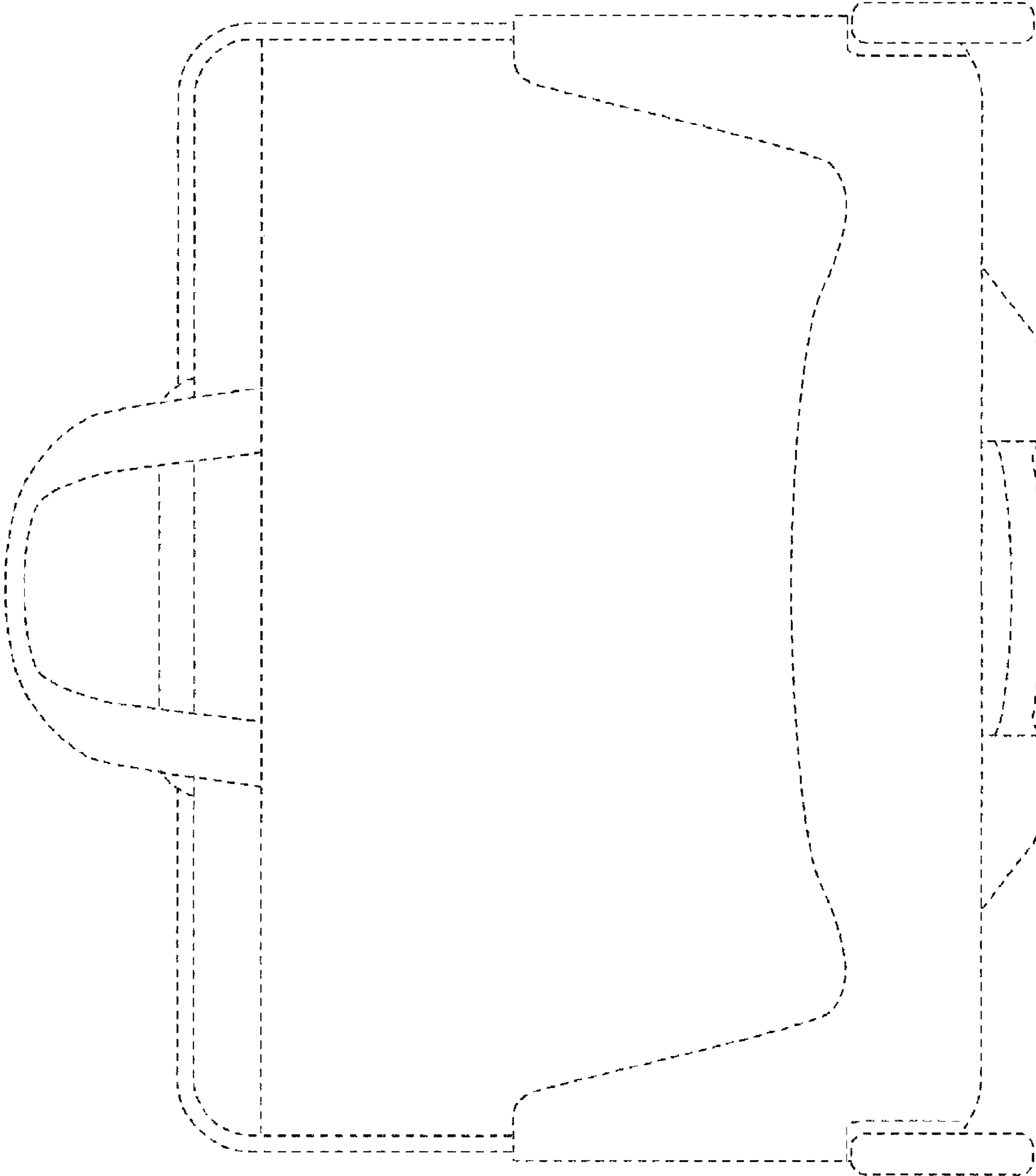


FIG. 3

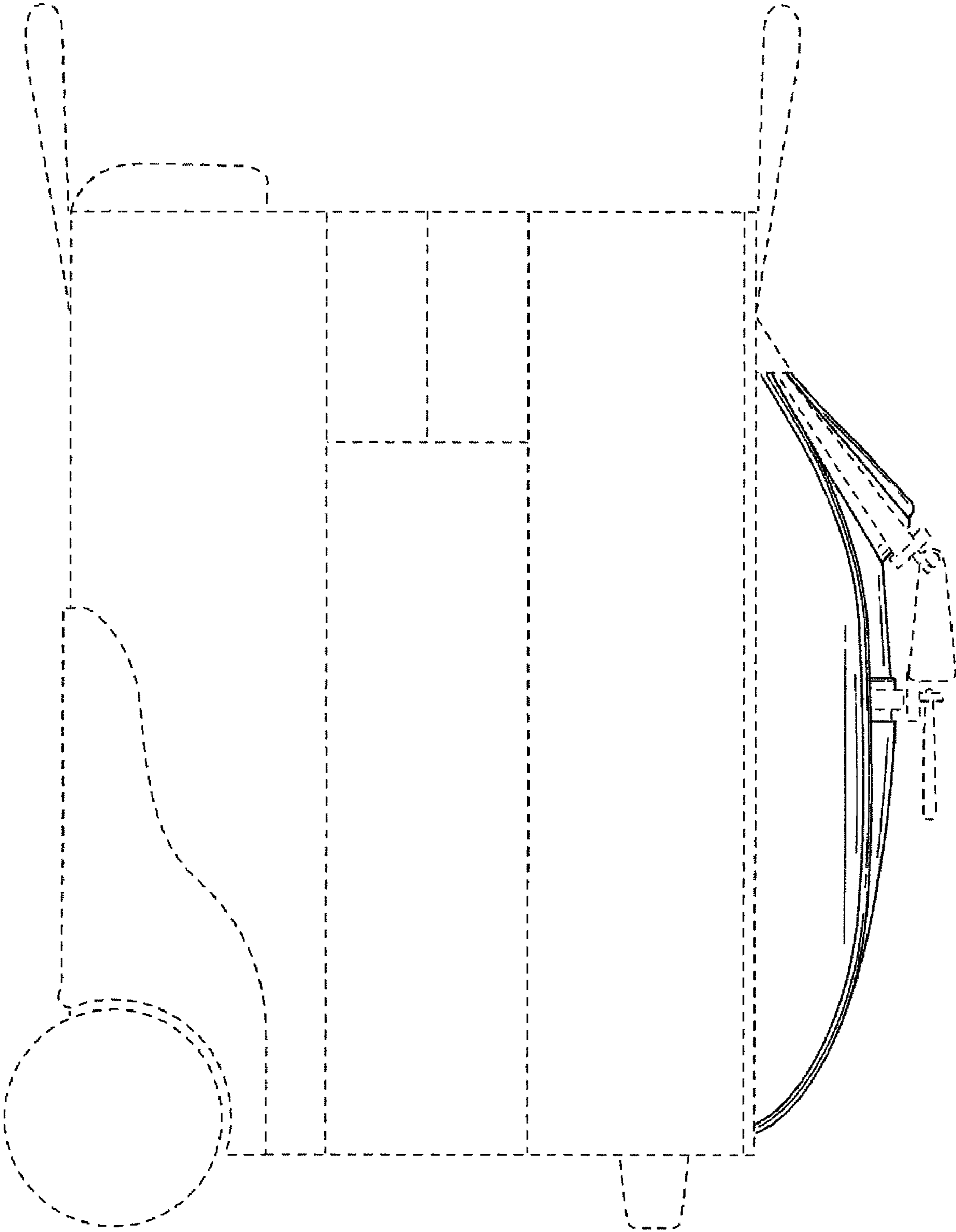


FIG. 4

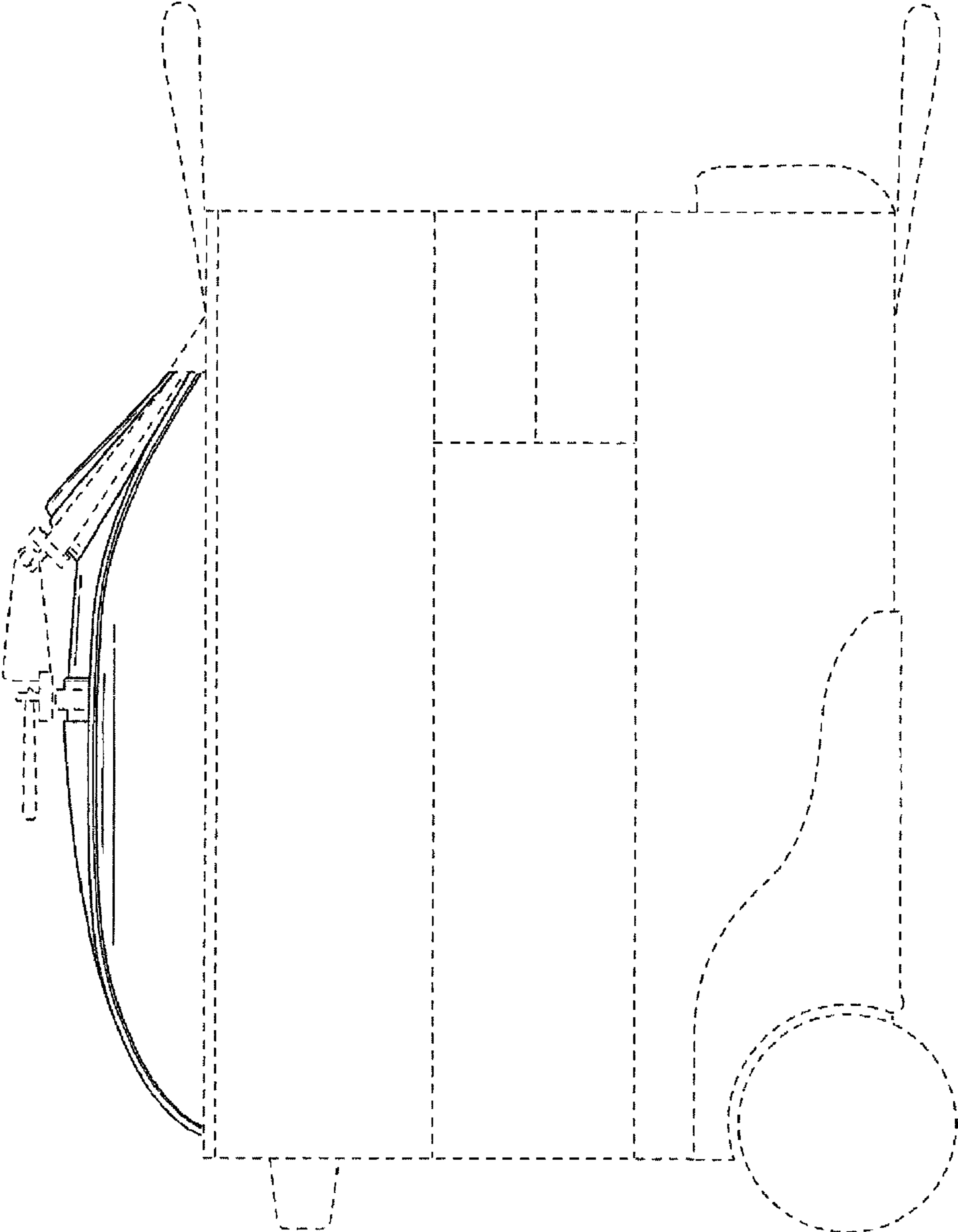


FIG. 5

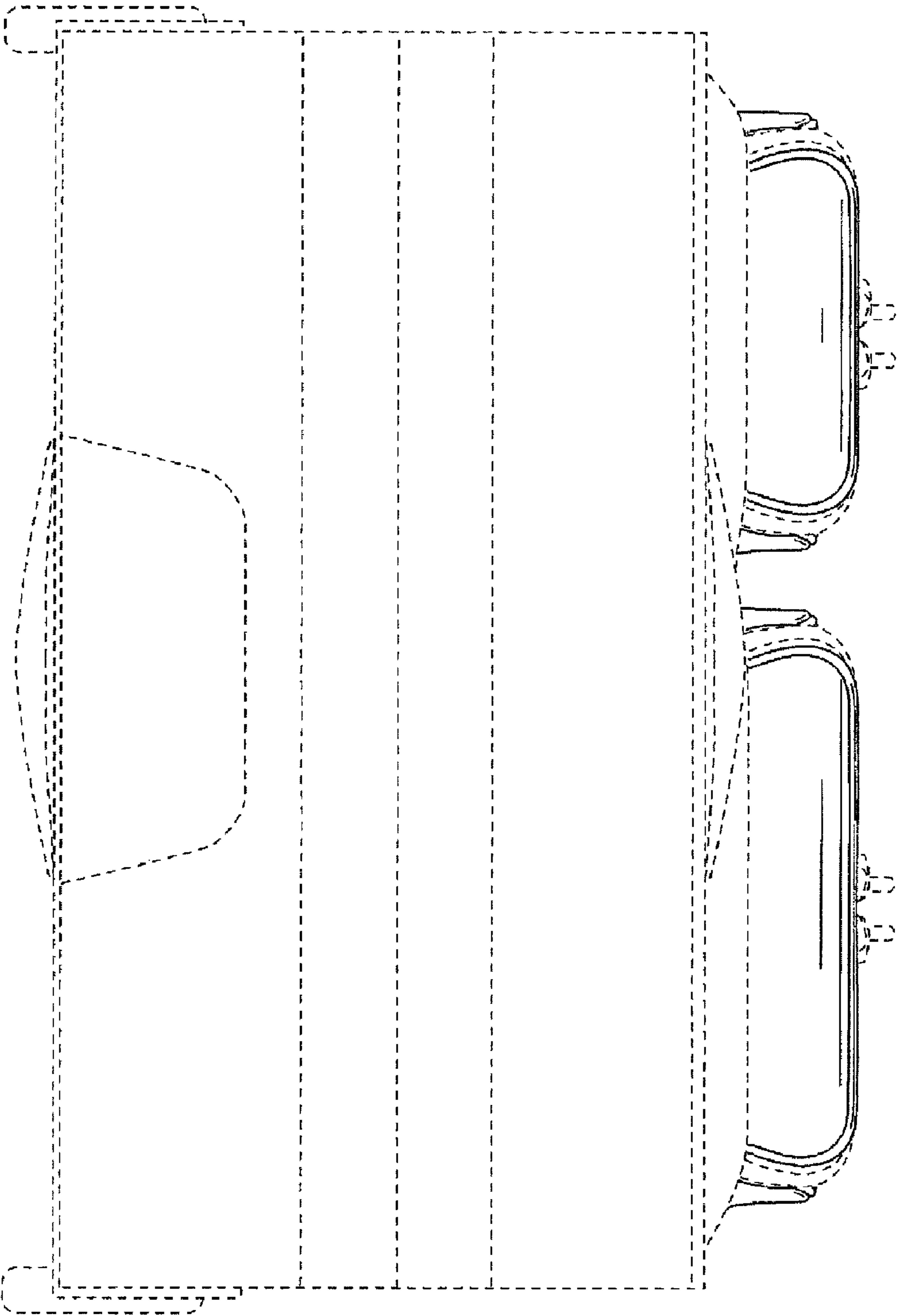


FIG. 6

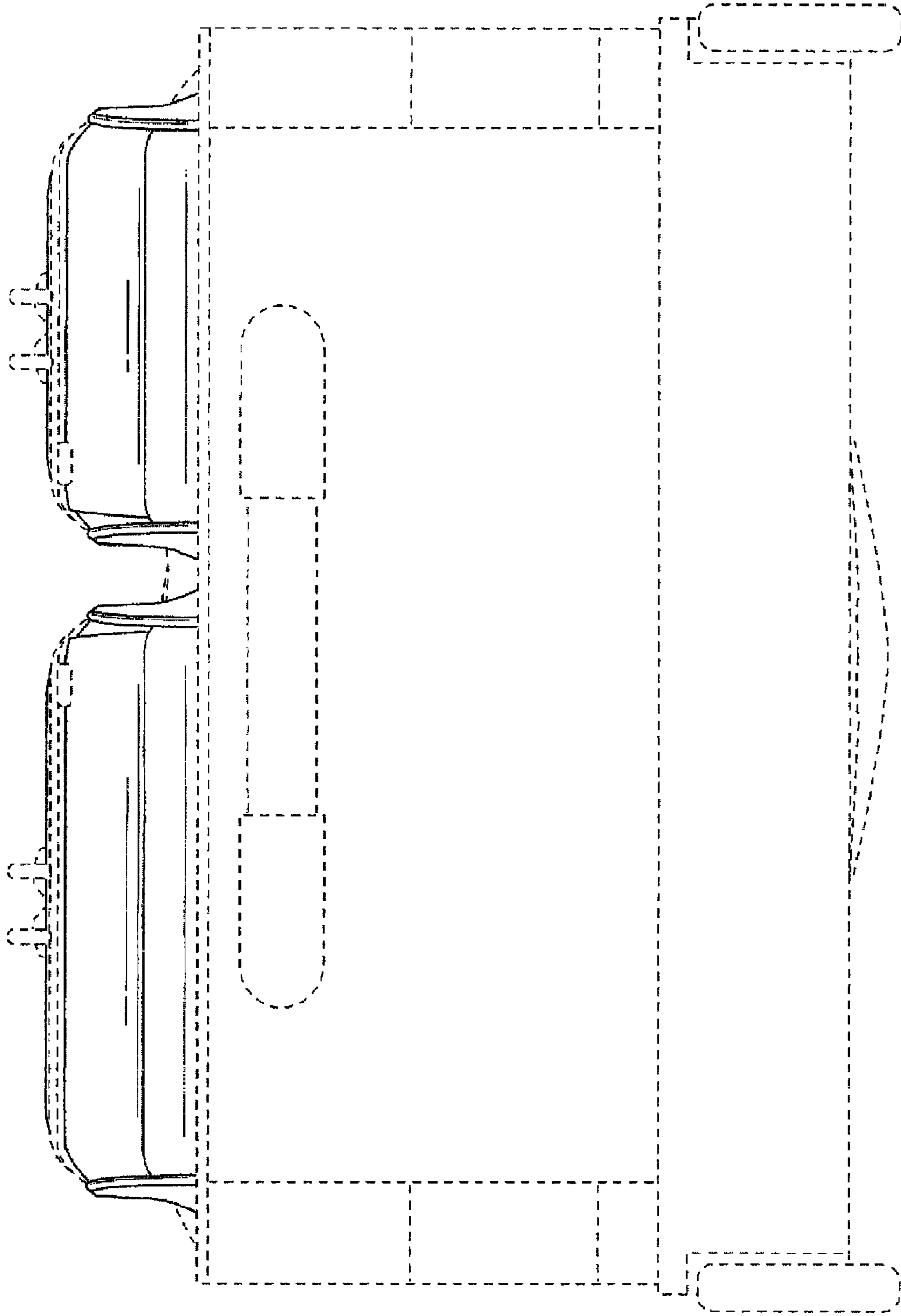


FIG. 7