



US00D634121S

(12) **United States Design Patent**
Goodman et al.

(10) **Patent No.:** **US D634,121 S**
(45) **Date of Patent:** **** Mar. 15, 2011**

(54) **BASKET**

(75) Inventors: **Sheldon H. Goodman**, Solon, OH (US);
Omer I. Sazir, Cleveland, OH (US);
Elizabeth A. Cho, Strongsville, OH (US)

(73) Assignee: **Spectrum Diversified Designs, Inc.**,
Streetsboro, OH (US)

(**) Term: **14 Years**

(21) Appl. No.: **29/367,894**

(22) Filed: **Aug. 14, 2010**

(51) **LOC (9) Cl.** **03-01**

(52) **U.S. Cl.** **D3/306**

(58) **Field of Classification Search** D3/304,
D3/306-309, 314, 315; D7/601-602; 220/485,
220/586; D6/566-567, 537, 540, 574, 572,
D6/510; 211/13.1, 41.3, 41.4, 86.01, 88.01,
211/134, 126.1

See application file for complete search history.

(56) **References Cited**

U.S. PATENT DOCUMENTS

D373,039 S *	8/1996	Cohen et al.	D6/566
D382,710 S *	8/1997	Henderson	D3/305
D399,381 S *	10/1998	Hoernig	D6/566
D412,080 S *	7/1999	Emery et al.	D6/513
D419,771 S *	2/2000	Chen	D3/306
D420,513 S *	2/2000	Chen	D3/309
D434,718 S *	12/2000	Kreisler	D12/412
D449,752 S *	10/2001	Snell	D6/537
D450,213 S *	11/2001	Snell	D6/566
D472,749 S *	4/2003	Walker	D6/525
D507,108 S *	7/2005	Suero, Jr.	D3/304
D539,542 S *	4/2007	Acikgoz et al.	D3/306

D554,417 S *	11/2007	Thorsteinsson et al.	D6/566
D608,598 S *	1/2010	Goodman et al.	D7/601
D608,599 S *	1/2010	Goodman et al.	D7/601
D616,252 S *	5/2010	Goodman et al.	D7/601
D616,254 S *	5/2010	Goodman et al.	D7/601
D616,255 S *	5/2010	Goodman et al.	D7/601
D622,107 S *	8/2010	Goodman et al.	D7/601

* cited by examiner

Primary Examiner — Elizabeth A Albert

Assistant Examiner — Kelley A Donnelly

(74) *Attorney, Agent, or Firm* — Pearne & Gordon LLP

(57) **CLAIM**

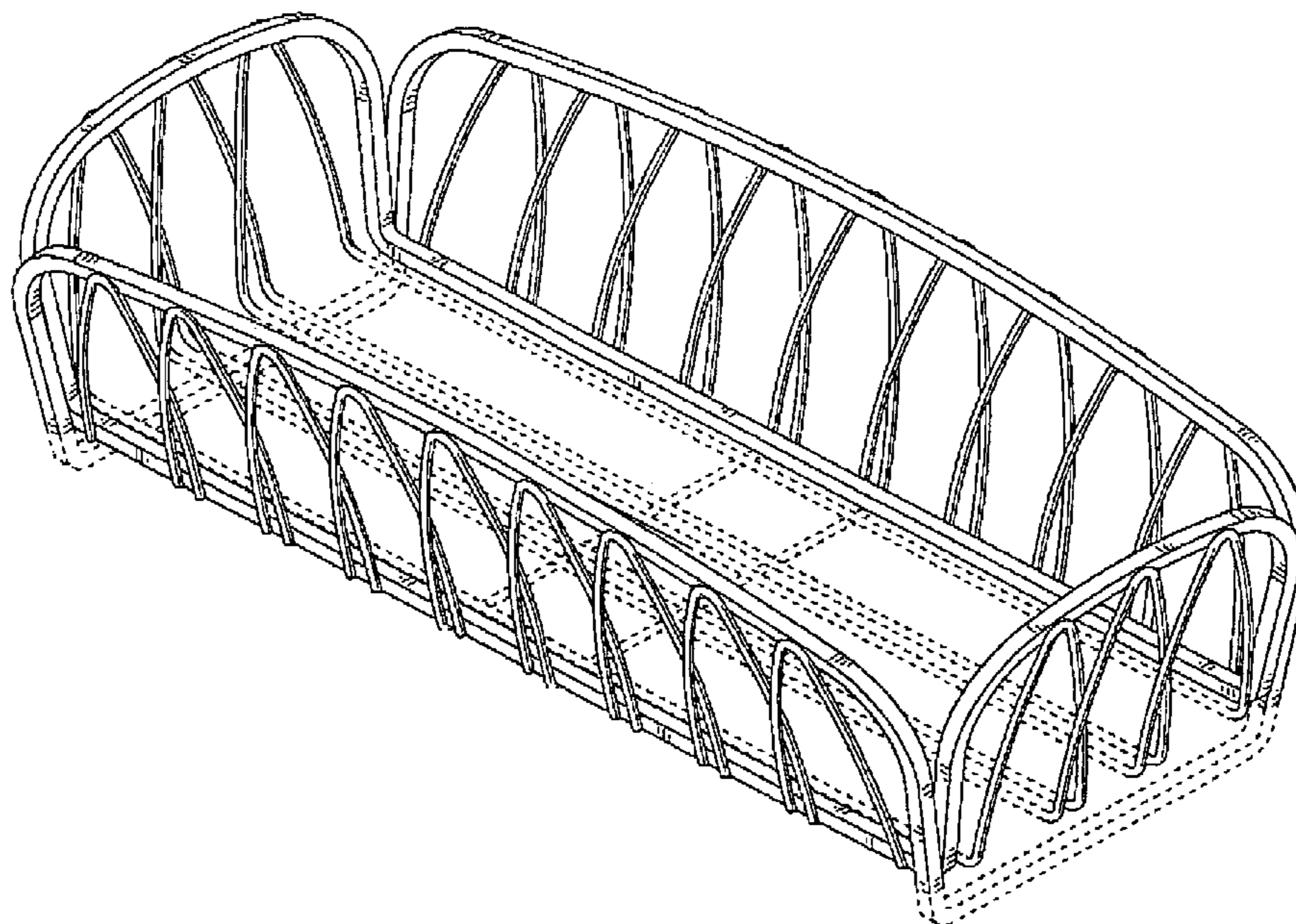
The ornamental design for a basket, as shown and described.

DESCRIPTION

FIG. 1 is a perspective view of a first embodiment of the basket showing our new design;
 FIG. 2 is a top plan view thereof;
 FIG. 3 is a front elevational view thereof;
 FIG. 4 is a side elevational view thereof;
 FIG. 5 is a bottom plan view thereof;
 FIG. 6 is a perspective view of a second embodiment of the basket;
 FIG. 7 is a top plan view thereof;
 FIG. 8 is a front elevational view thereof;
 FIG. 9 is a side elevational view thereof;
 FIG. 10 is a bottom plan view thereof;
 FIG. 11 is a perspective view of a third embodiment of the basket;
 FIG. 12 is a top plan view thereof;
 FIG. 13 is a front elevational view thereof;
 FIG. 14 is a side elevational view thereof; and,
 FIG. 15 is a bottom plan view thereof.

The dotted-line showing in the drawings illustrates environmental matter and forms no part of the claimed design.

1 Claim, 6 Drawing Sheets



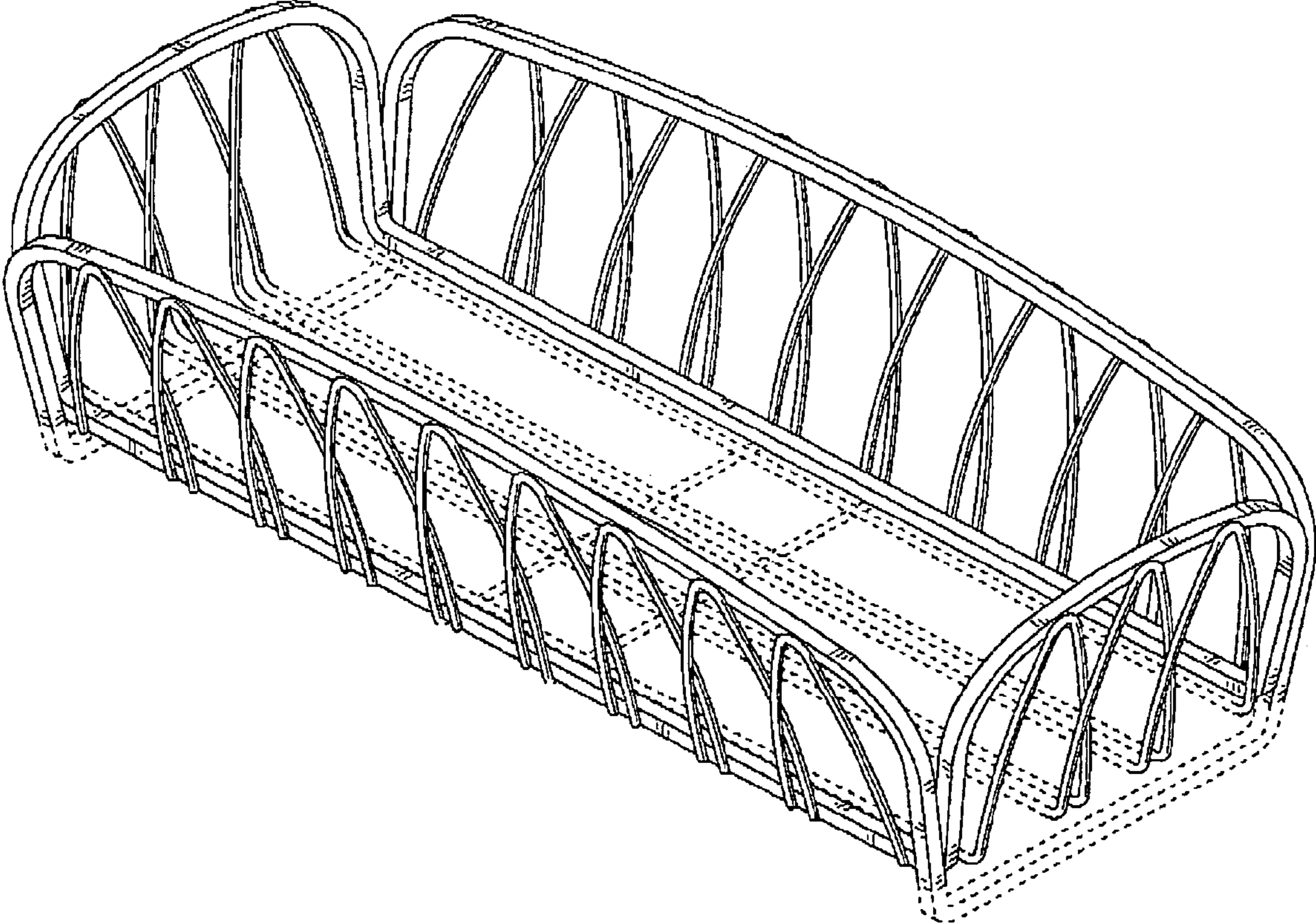


FIG. 1

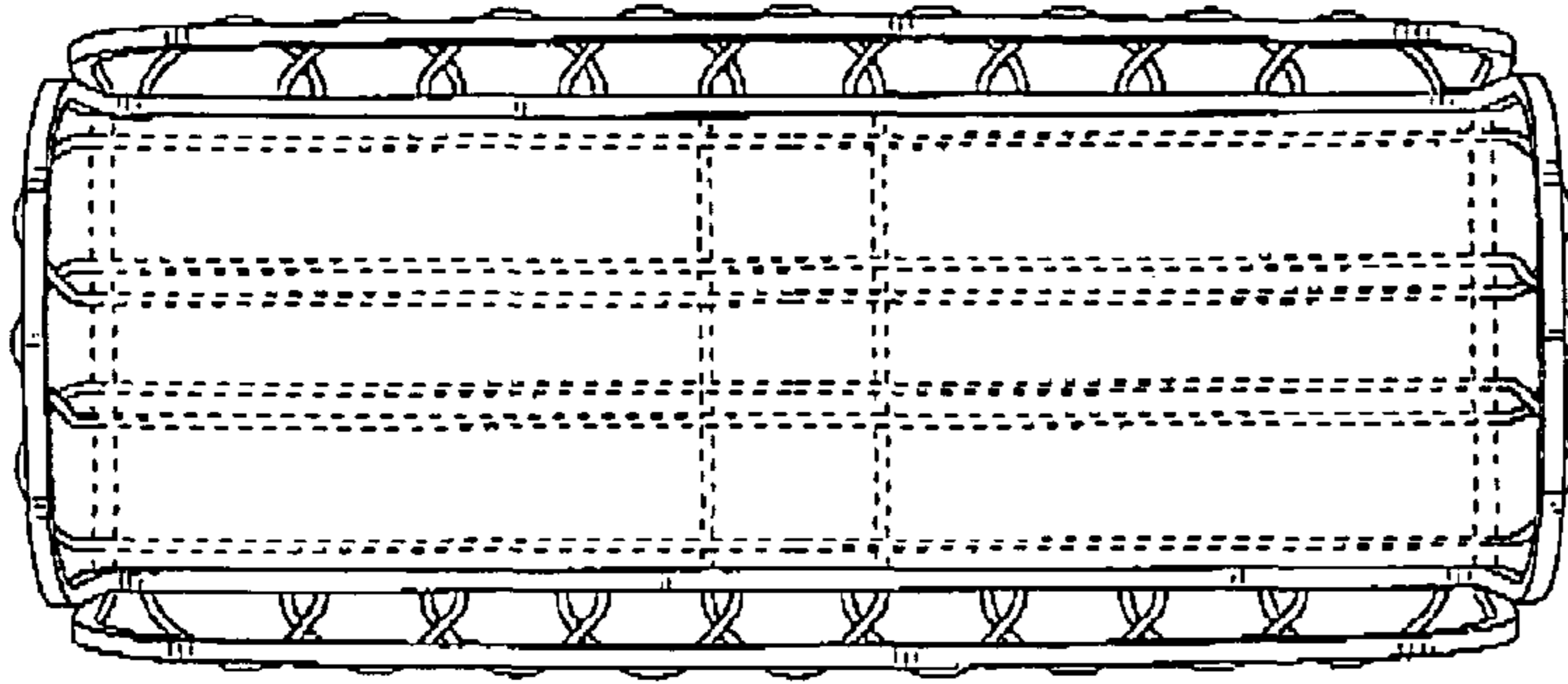


FIG. 2

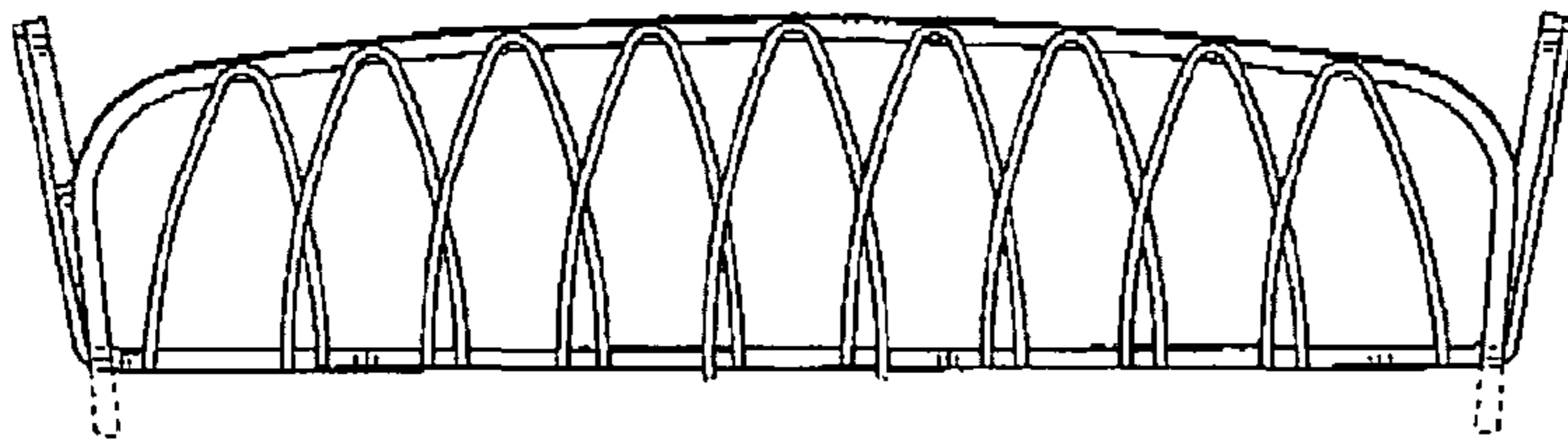


FIG. 3

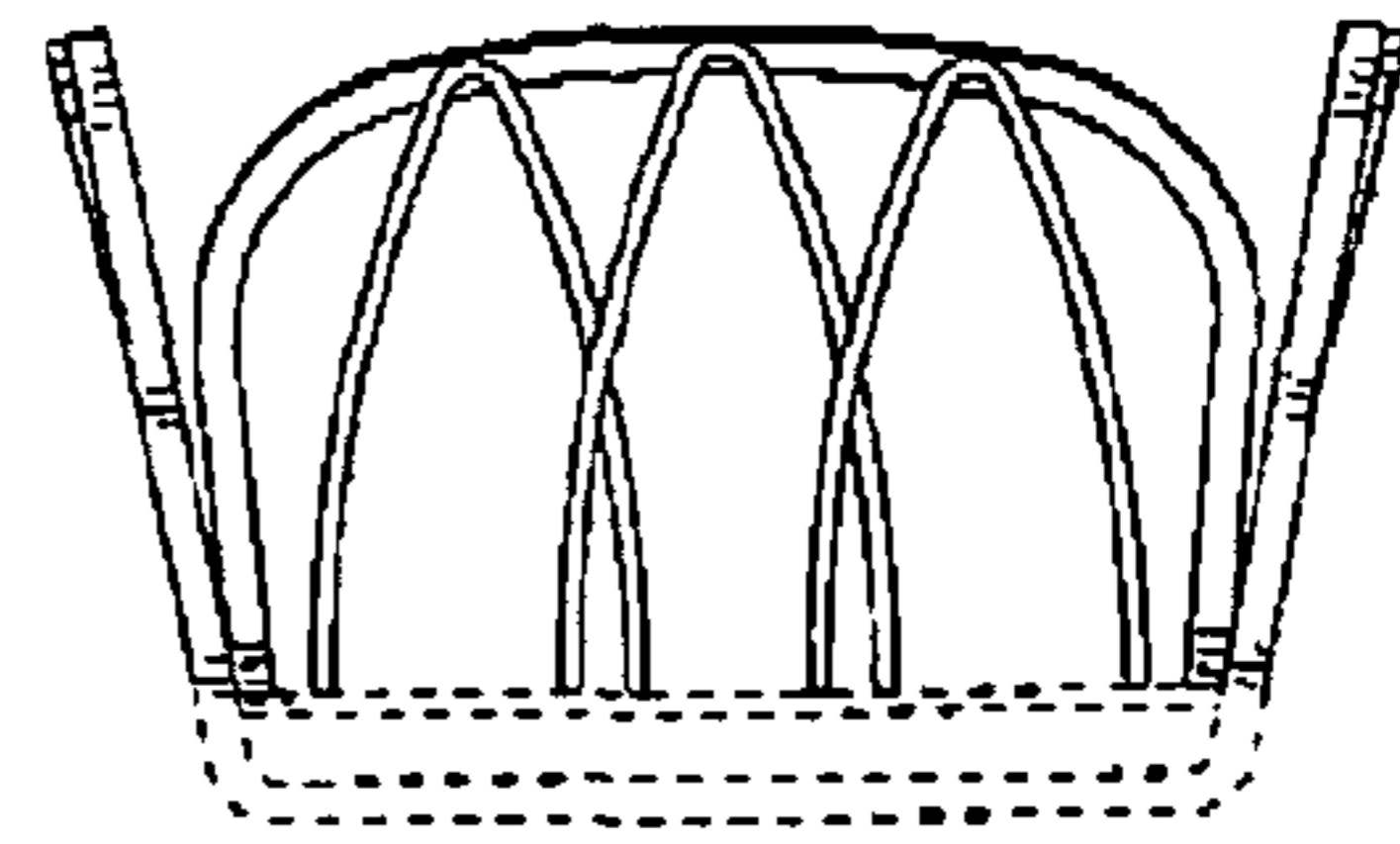


FIG. 4

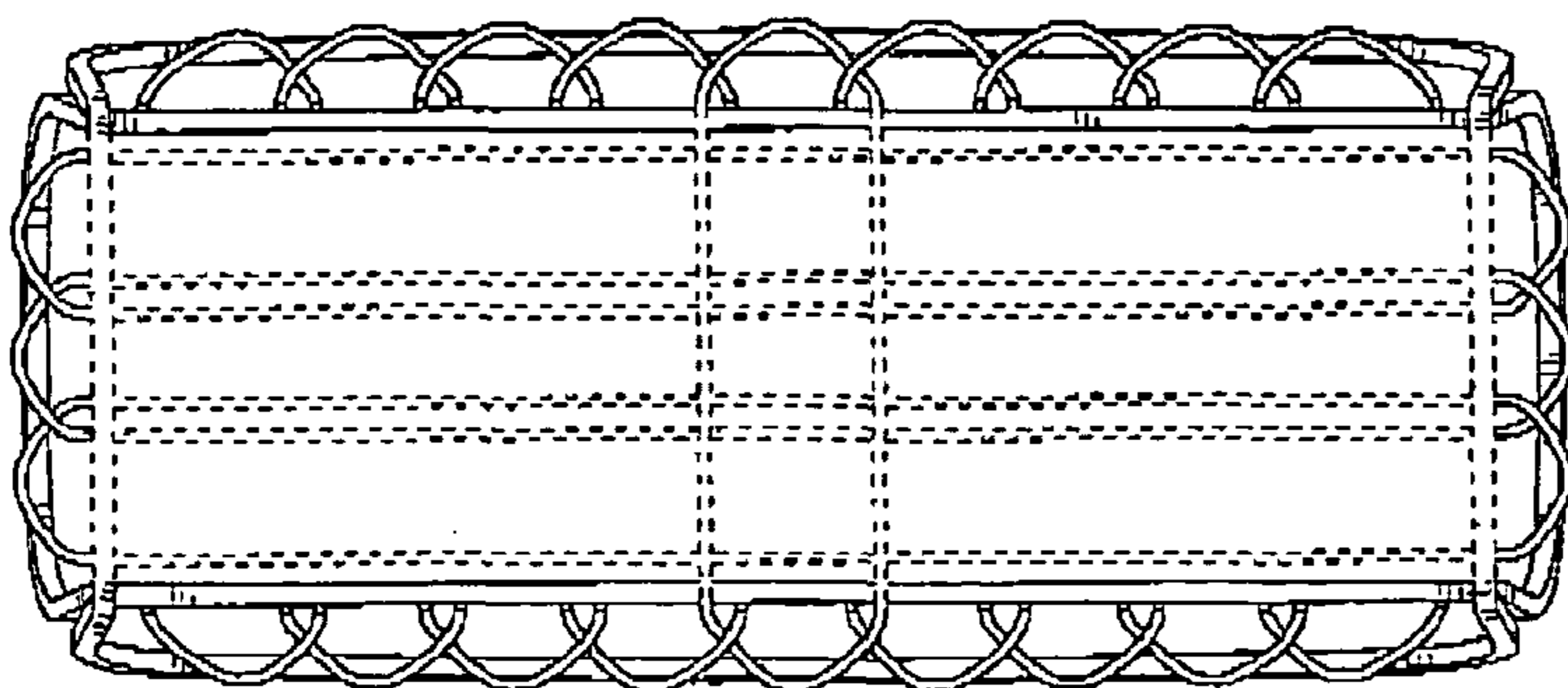


FIG. 5

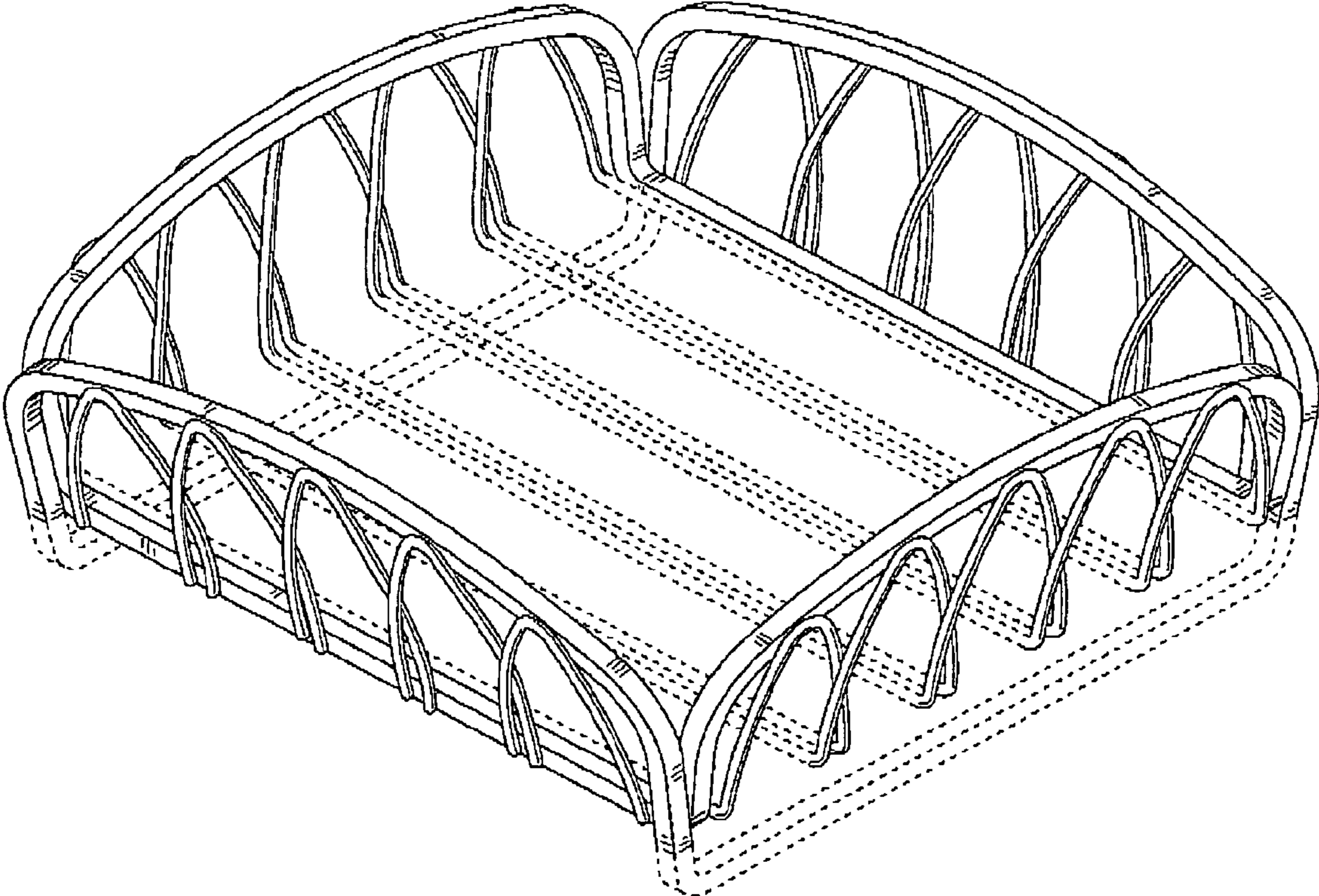


FIG. 6

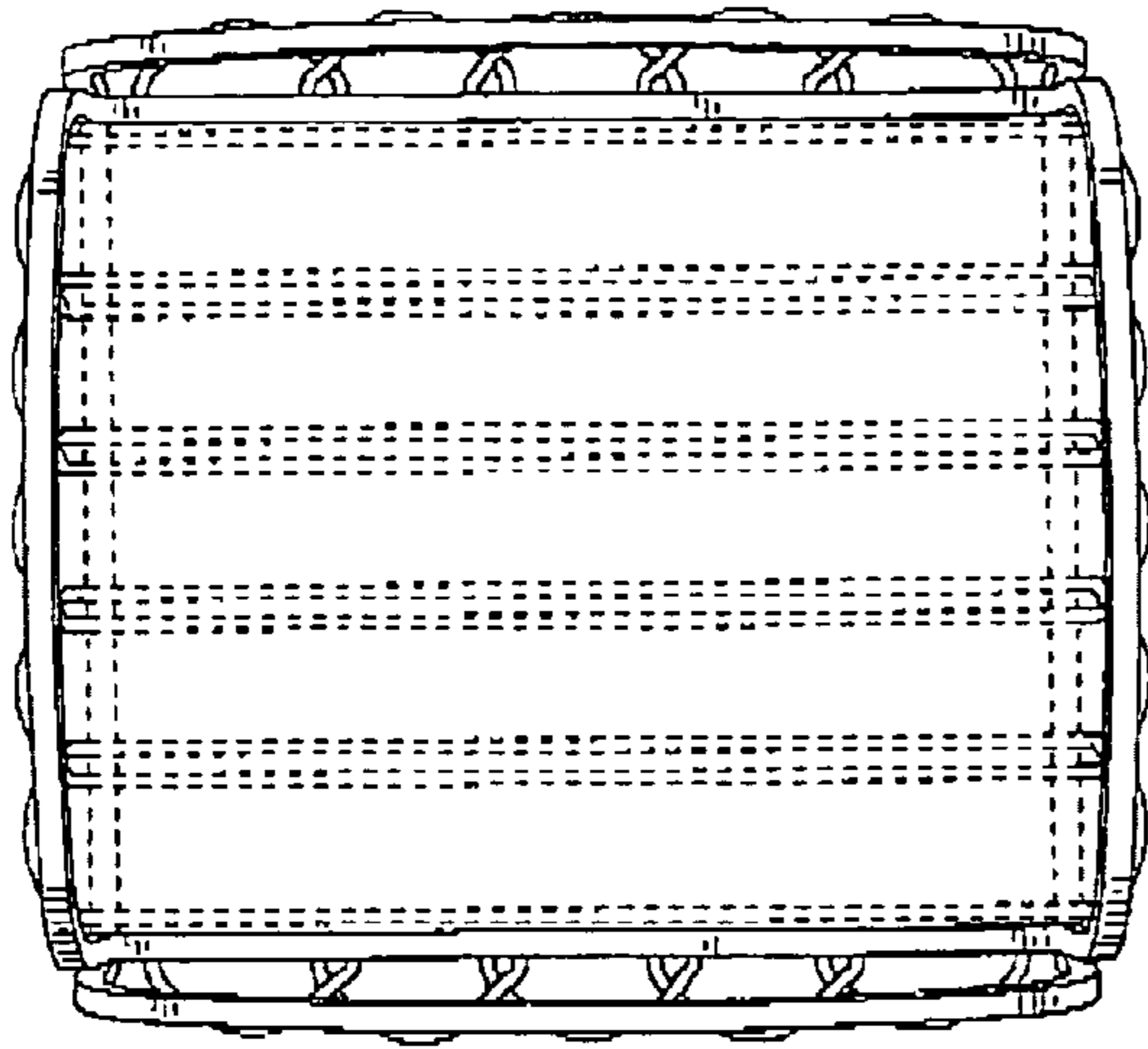


FIG. 7

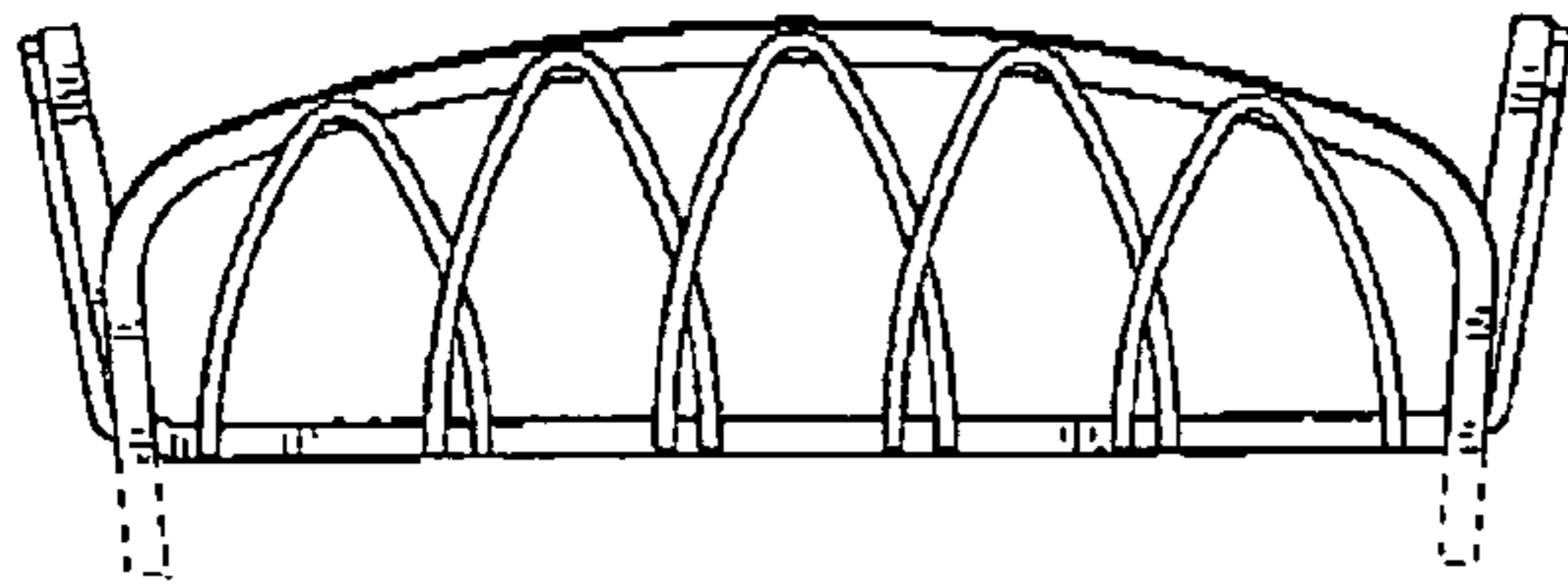


FIG. 8

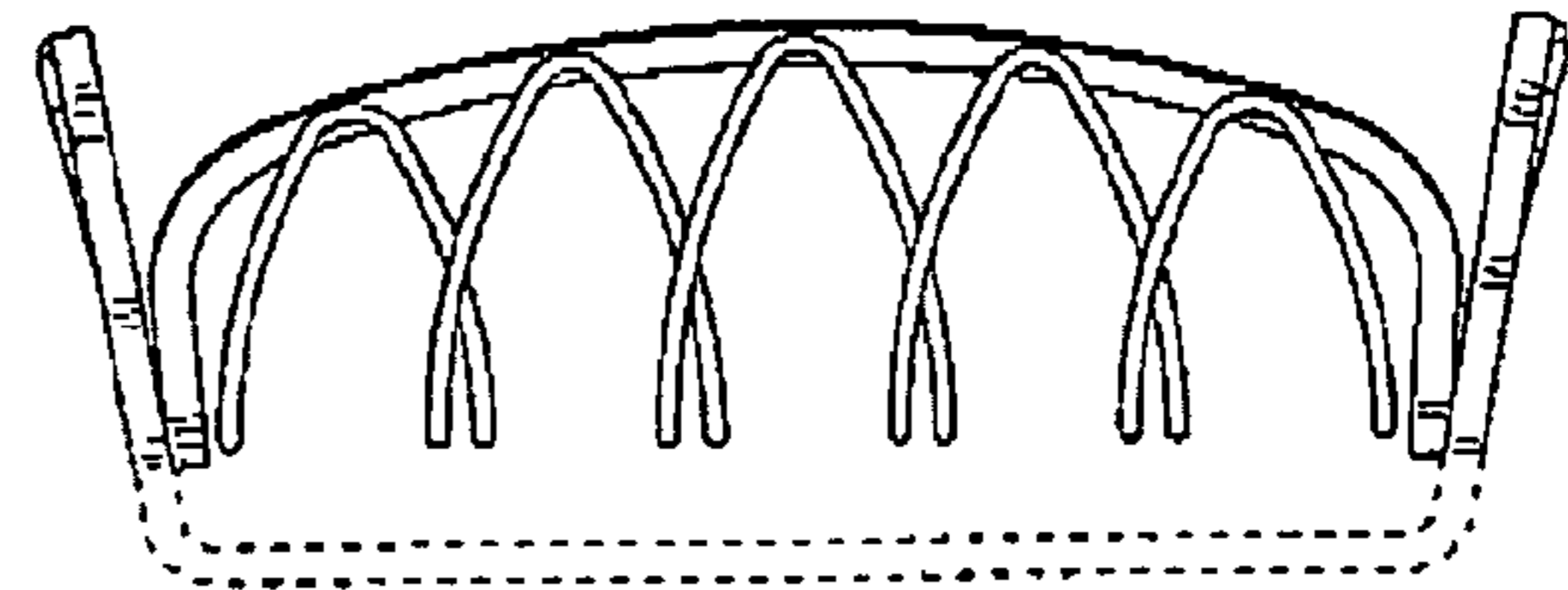


FIG. 9

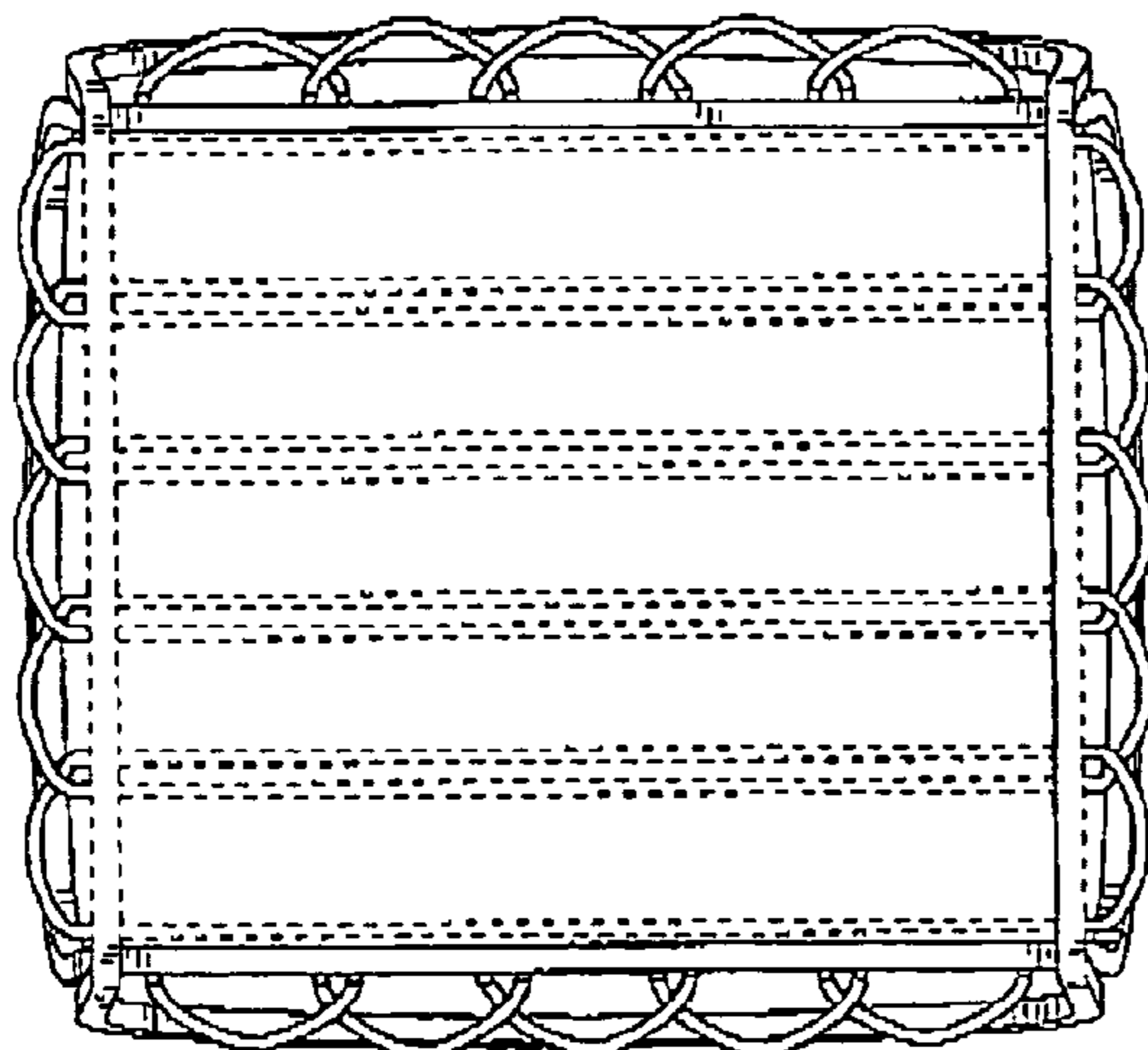


FIG. 10

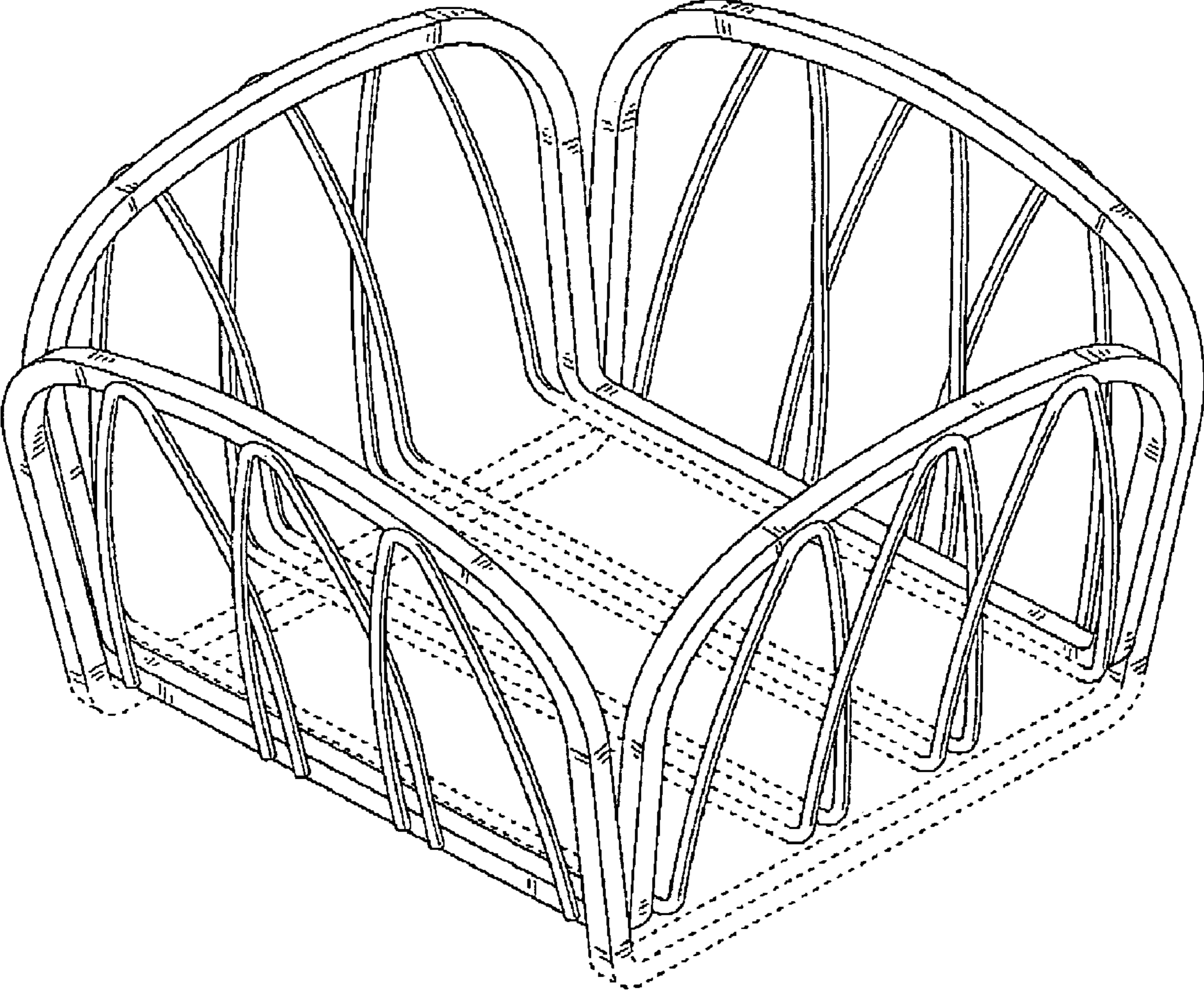


FIG. 11

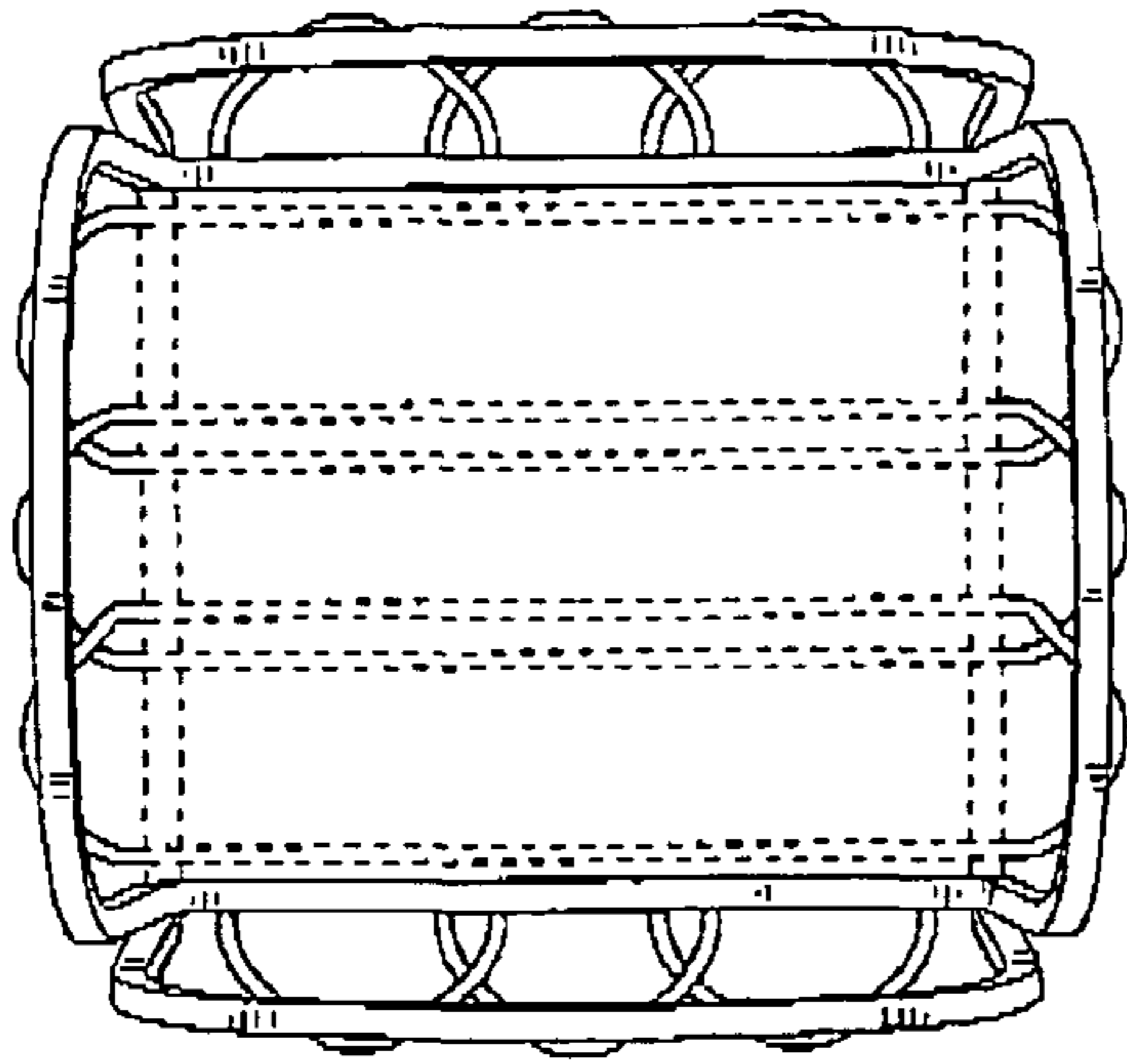


FIG. 12

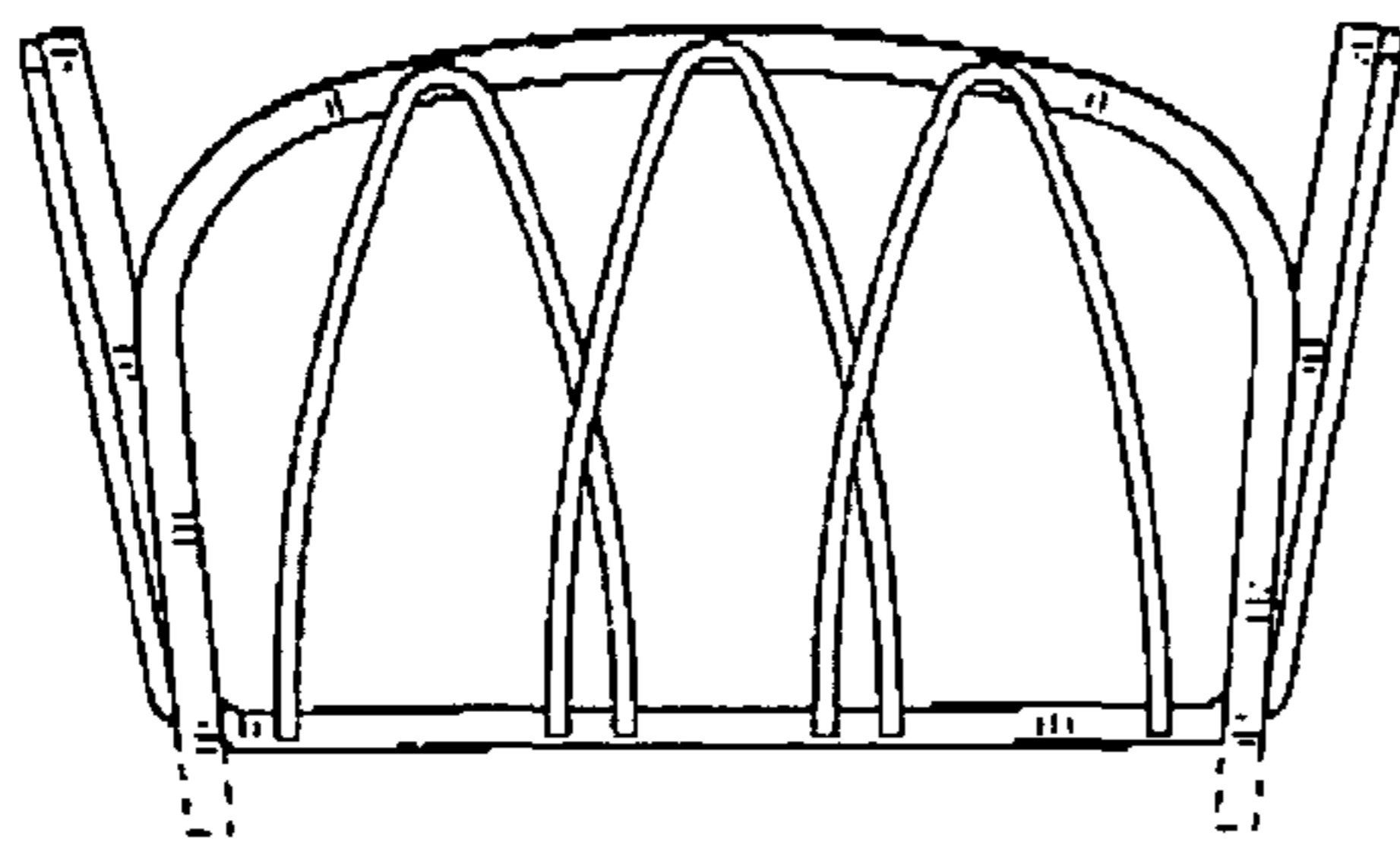


FIG. 13

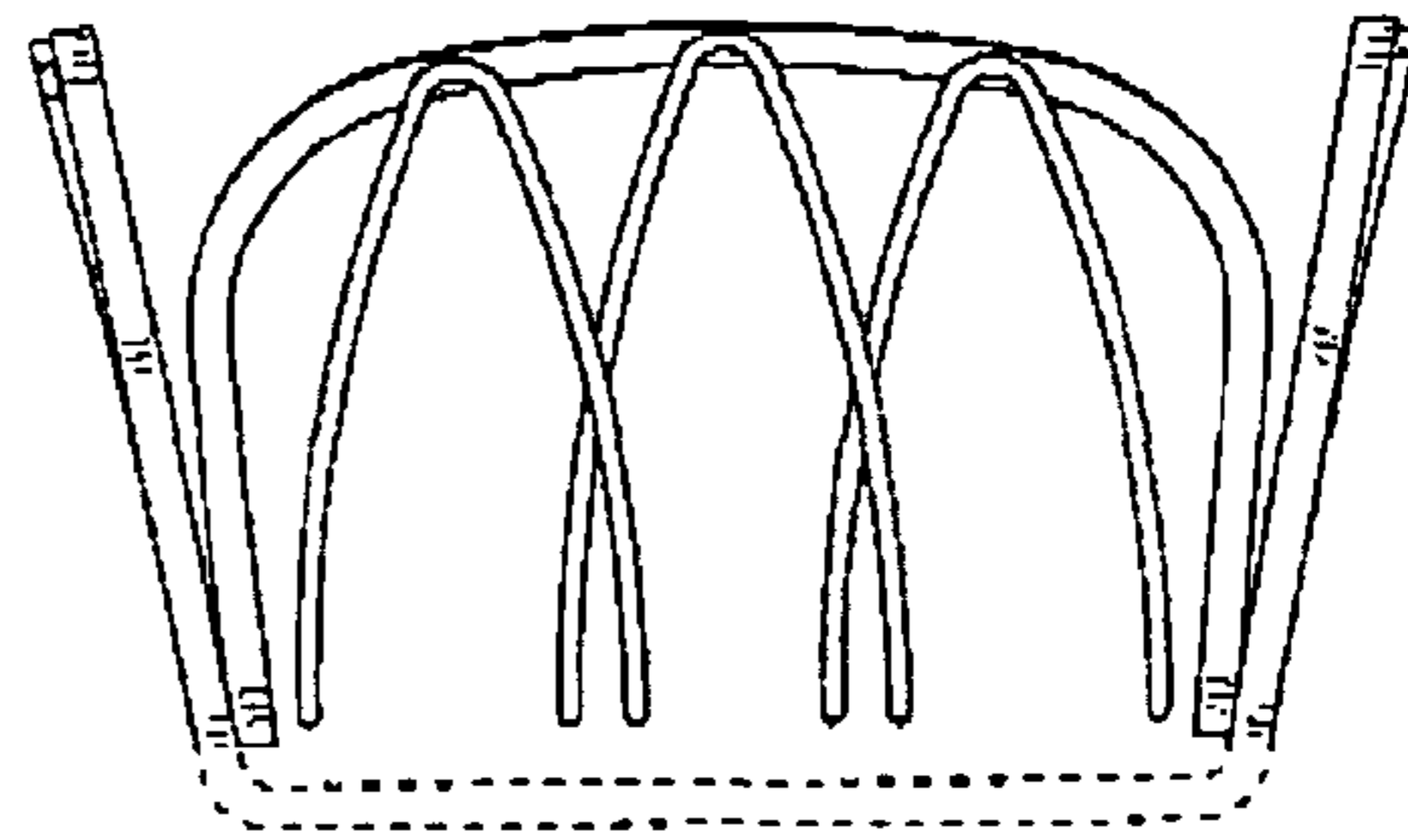


FIG. 14

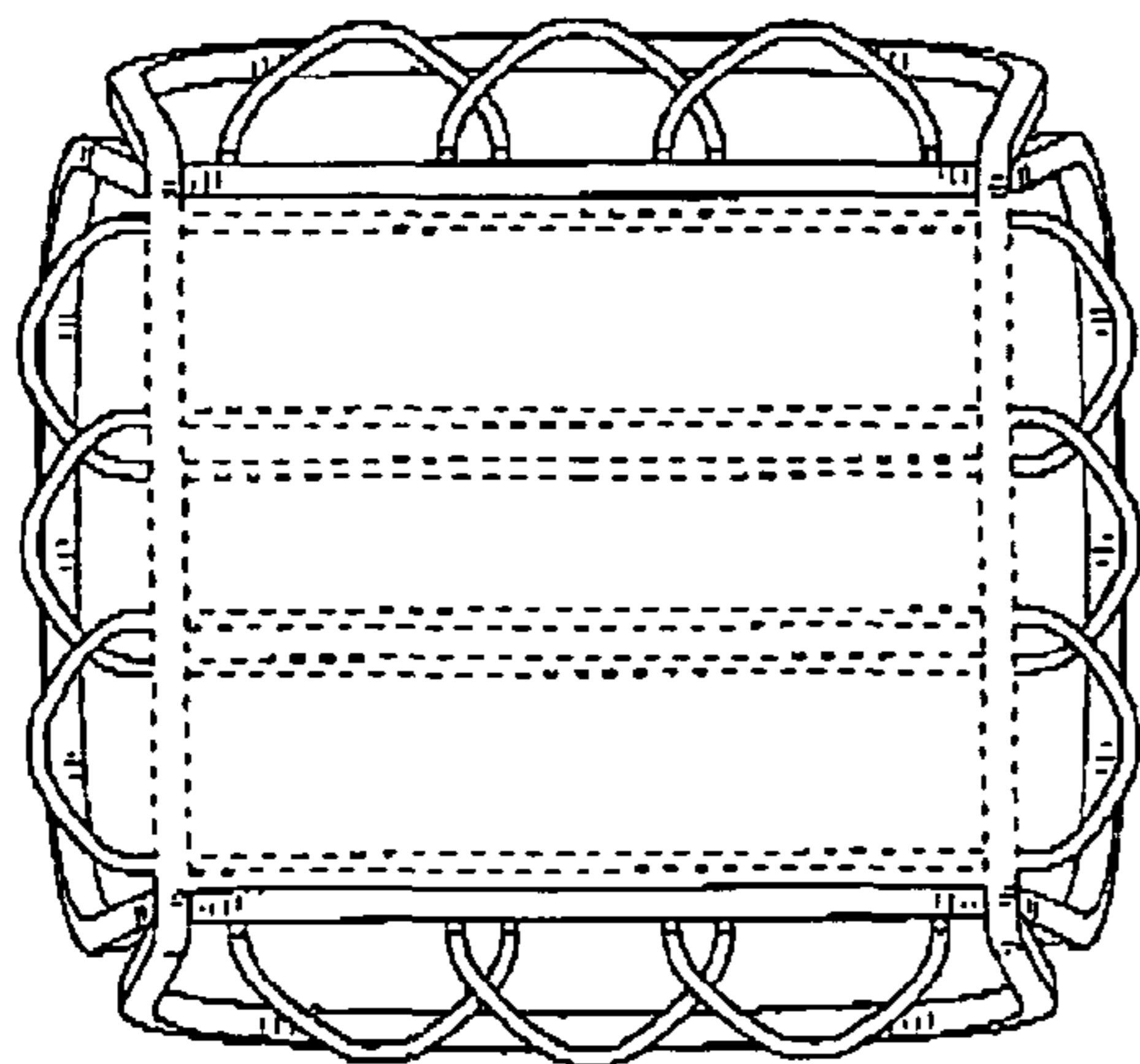


FIG. 15