



US00D634120S

(12) **United States Design Patent**
Okuda et al.

(10) **Patent No.:** **US D634,120 S**
(45) **Date of Patent:** **** Mar. 15, 2011**

(54) **PLASTIC CASE**

(75) Inventors: **Shinsuke Okuda**, Anjo (JP); **Tatsuhito Matsuda**, Anjo (JP); **Yuta Matsuura**, Anjo (JP)

(73) Assignee: **Makita Corporation**, Anjo (JP)

(**) Term: **14 Years**

(21) Appl. No.: **29/347,226**

(22) Filed: **Nov. 4, 2009**

(30) **Foreign Application Priority Data**

May 8, 2009 (JP) 2009-10358
May 8, 2009 (JP) 2009-10359
May 8, 2009 (JP) 2009-10360

(51) **LOC (9) Cl.** **03-01**

(52) **U.S. Cl.** **D3/276; D3/282**

(58) **Field of Classification Search** D3/273,
D3/276, 281, 278, 282, 294, 268, 900, 901;
206/349, 272, 373, 503, 506; 190/220, 111,
190/112, 100, 900

See application file for complete search history.

(56) **References Cited**

U.S. PATENT DOCUMENTS

4,611,713 A * 9/1986 Byrns 206/349
4,998,616 A * 3/1991 Hillinger 206/748

D369,240 S * 4/1996 Newby, Sr. D3/268
5,685,421 A * 11/1997 Gilmore 206/216
6,070,754 A * 6/2000 Newby, Sr. 220/675
D487,970 S * 4/2004 Meier et al. D3/281
D516,311 S * 3/2006 Lai D3/282
D520,237 S * 5/2006 Cheng D3/276
D523,242 S * 6/2006 Hardigg et al. D3/276
D542,530 S * 5/2007 Harris et al. D3/276

OTHER PUBLICATIONS

European Design Registration No. 001045280, filed Jul. 11, 2008.

* cited by examiner

Primary Examiner — Prabhakar Deshmukh

(74) *Attorney, Agent, or Firm* — Oliff & Berridge, PLC

(57) **CLAIM**

The ornamental design for a plastic case, as shown and described.

DESCRIPTION

FIG. 1 is a perspective view of a plastic case showing our new design;

FIG. 2 is a front elevation view thereof;

FIG. 3 is a rear elevation view thereof;

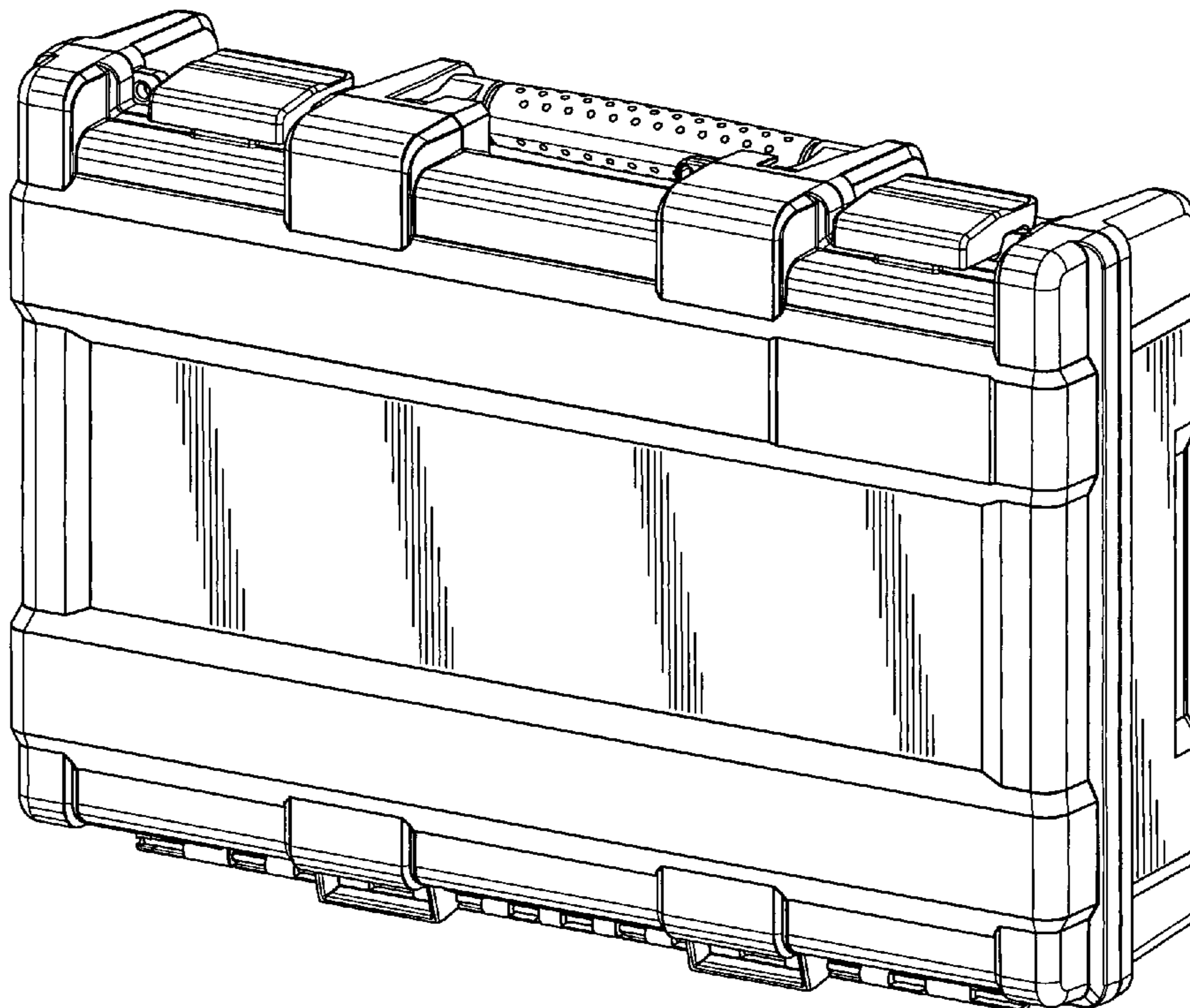
FIG. 4 is a left side elevation view thereof;

FIG. 5 is a right side elevation view thereof;

FIG. 6 is a top plan view thereof; and,

FIG. 7 is a bottom plan view thereof.

1 Claim, 5 Drawing Sheets



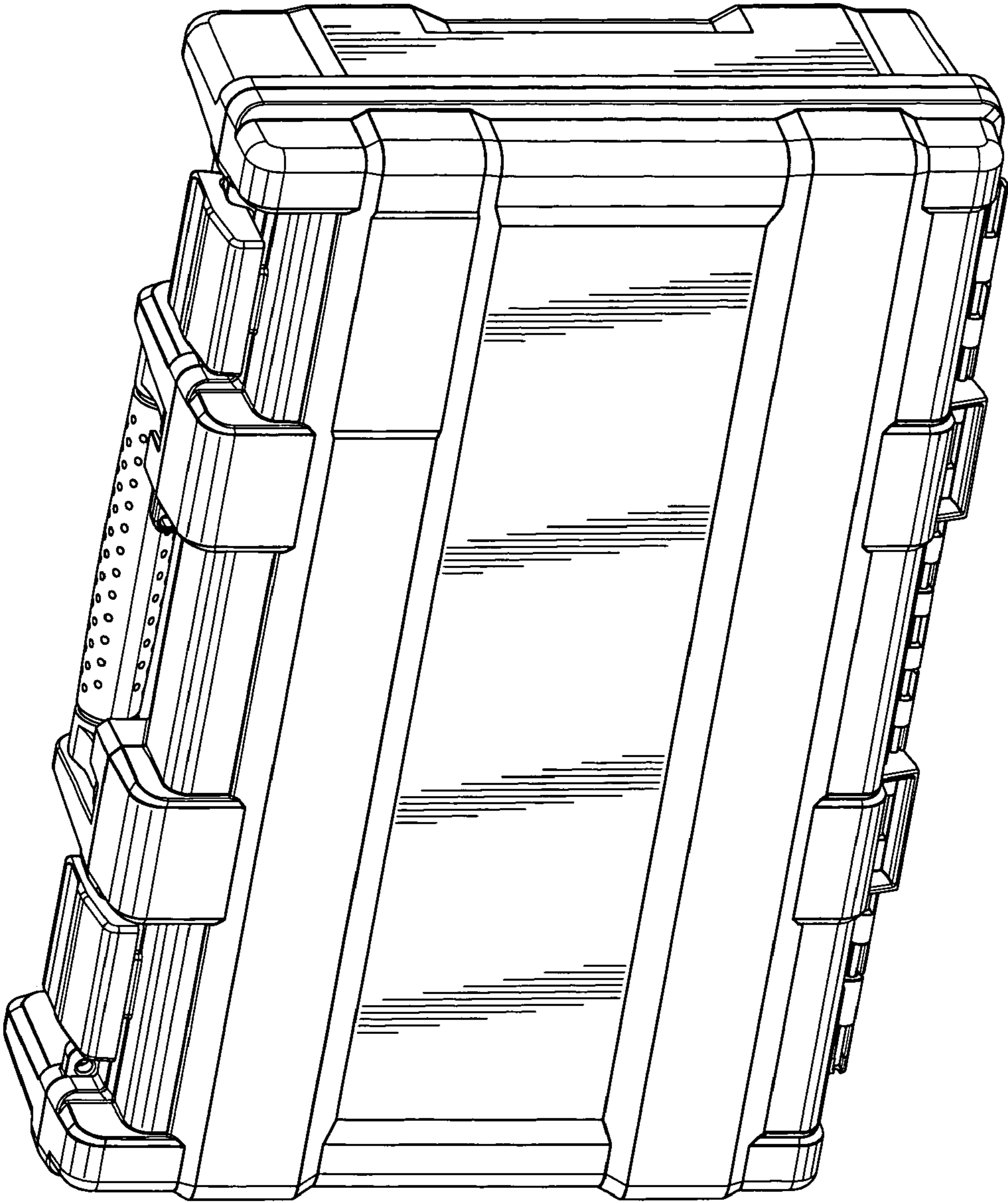


FIG. 1

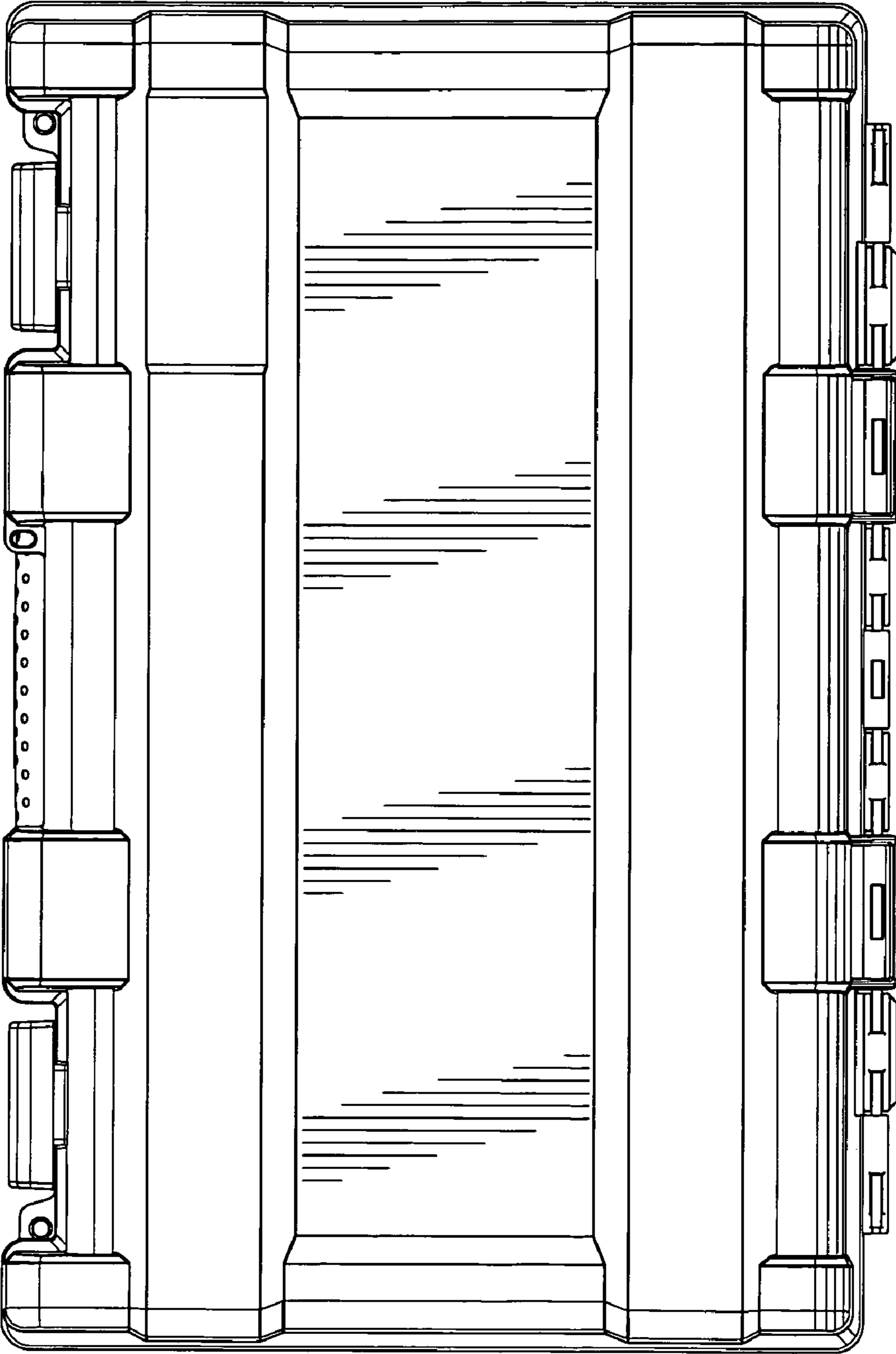


FIG. 2

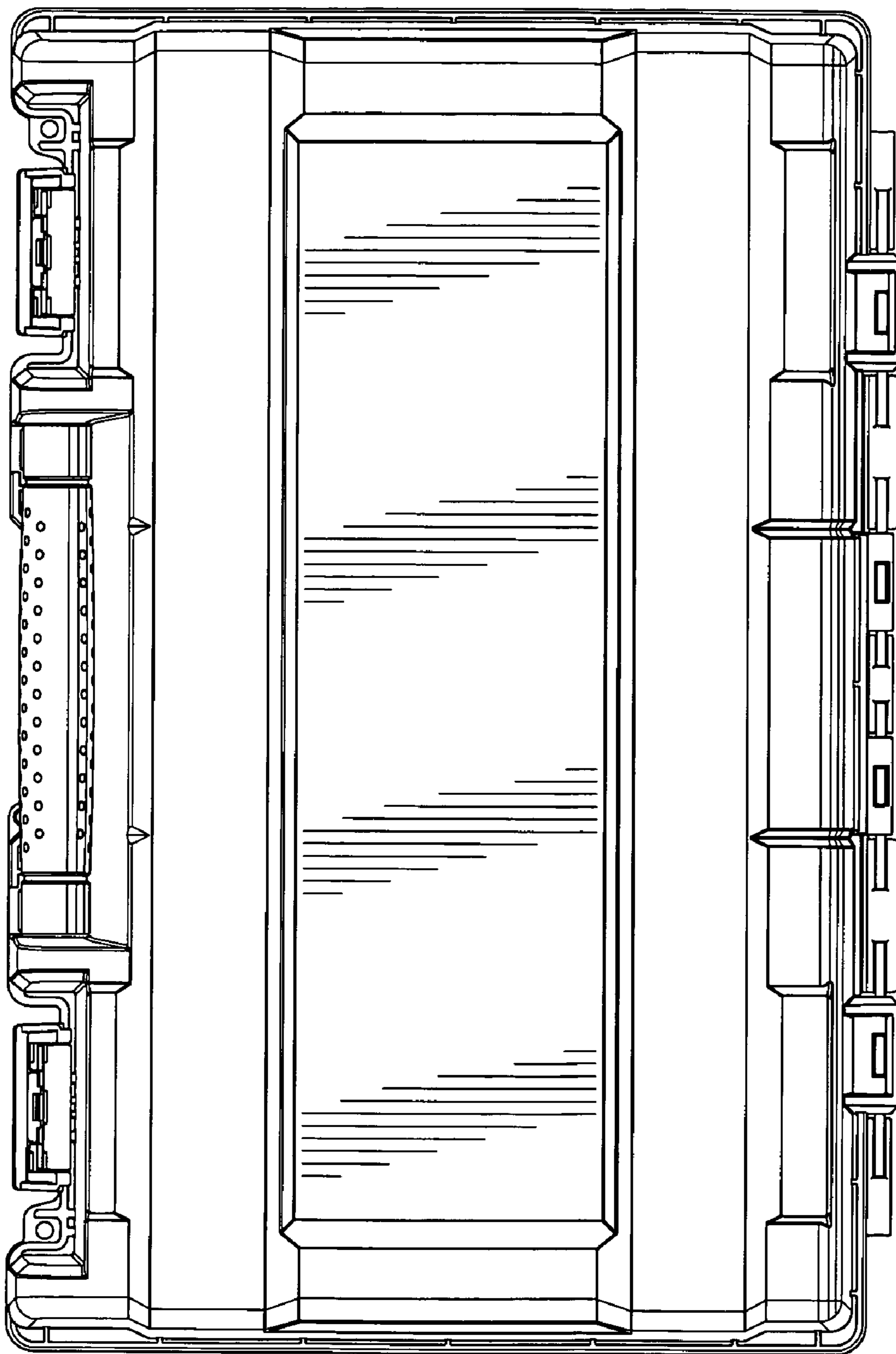


FIG. 3

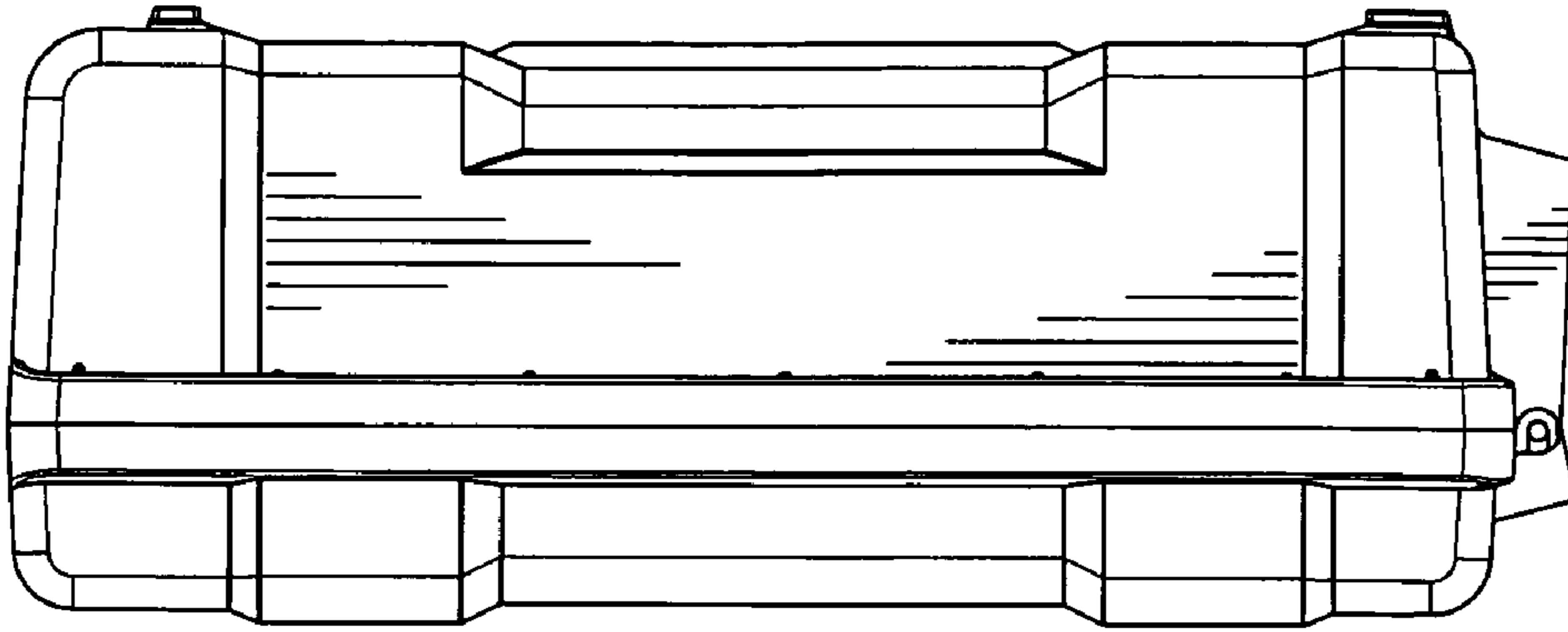


FIG. 5

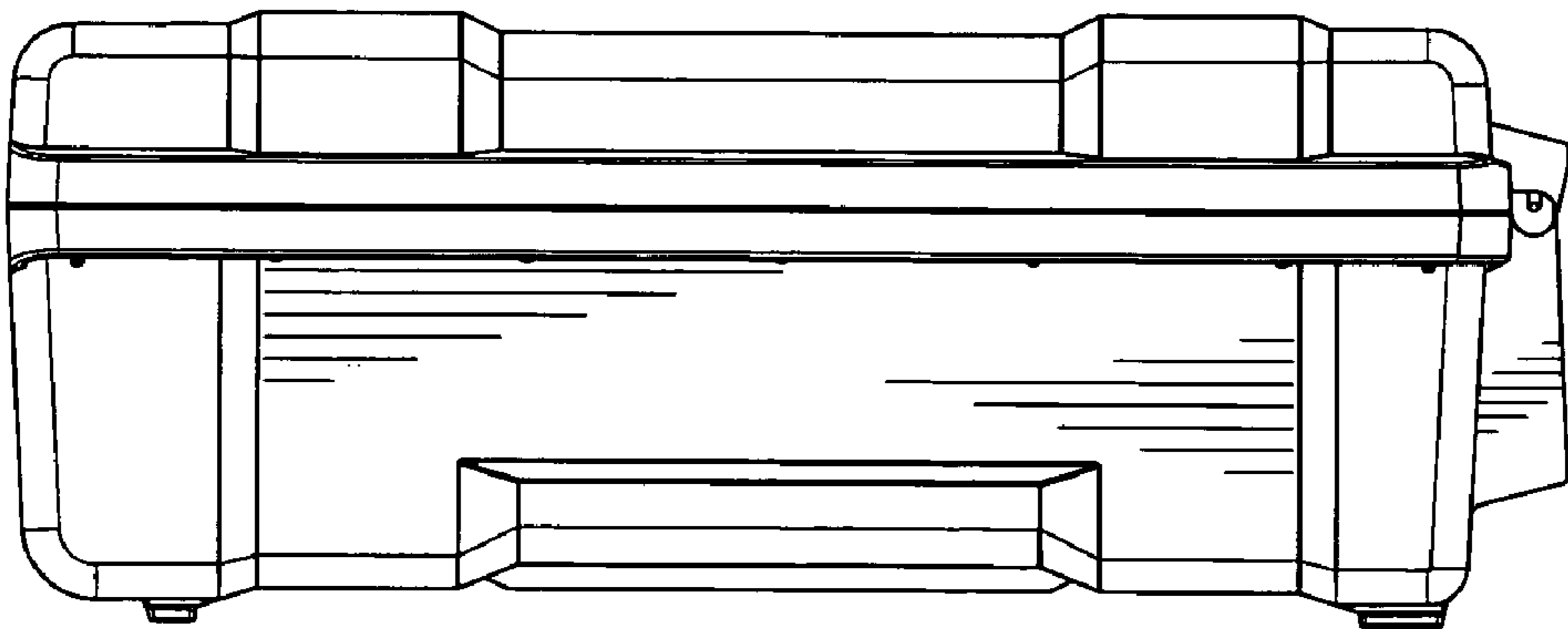


FIG. 4

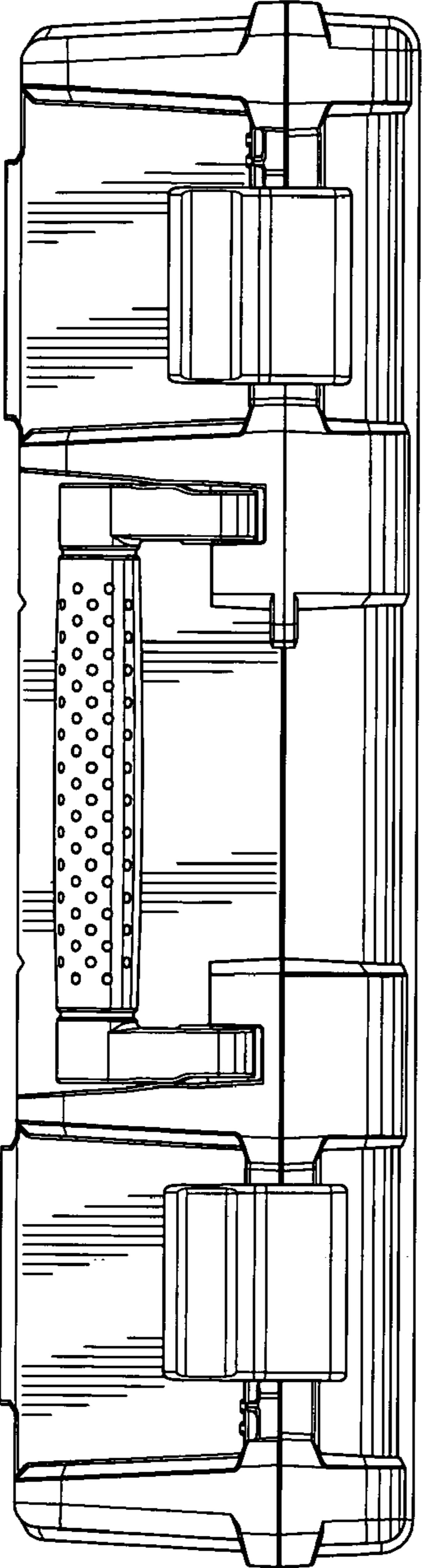


FIG. 6

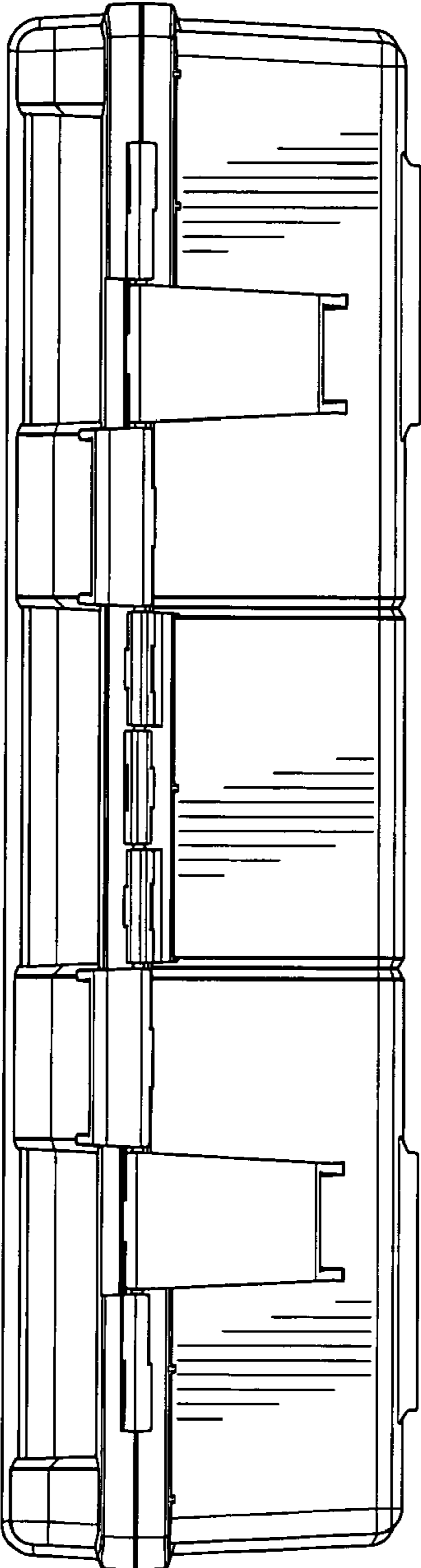


FIG. 7