



US00D634115S

(12) **United States Design Patent**
Long, Jr. et al.

(10) **Patent No.:** **US D634,115 S**
(45) **Date of Patent:** **** Mar. 15, 2011**

(54) **MULTI-WEIGHT CASE**

(75) Inventors: **Thomas A. Long, Jr.**, Hockessin, DE (US); **Joy Lynn Cottrill**, Verona, PA (US)

(73) Assignee: **Henry Troemner LLC**, Thorofare, NJ (US)

(**) Term: **14 Years**

(21) Appl. No.: **29/335,594**

(22) Filed: **Apr. 17, 2009**

(51) **LOC (9) Cl.** **03-01**

(52) **U.S. Cl.** **D3/201**

(58) **Field of Classification Search** D3/201, D3/205, 272-273, 294-295, 301; D9/418, D9/420, 426, 428, 432; 206/37, 229, 320, 206/363, 557; 220/810, 825, 833-835; D28/82
See application file for complete search history.

(56) **References Cited**

U.S. PATENT DOCUMENTS

D398,842 S * 9/1998 Rohrig D9/415
D454,429 S * 3/2002 Hussaini et al. D3/274

D548,970 S * 8/2007 Huang D3/294
D604,501 S * 11/2009 Lee D3/201
D620,257 S * 7/2010 Fujimura et al. D3/294

* cited by examiner

Primary Examiner — Catherine R Oliver

(74) *Attorney, Agent, or Firm* — Volpe and Koenig, P.C.

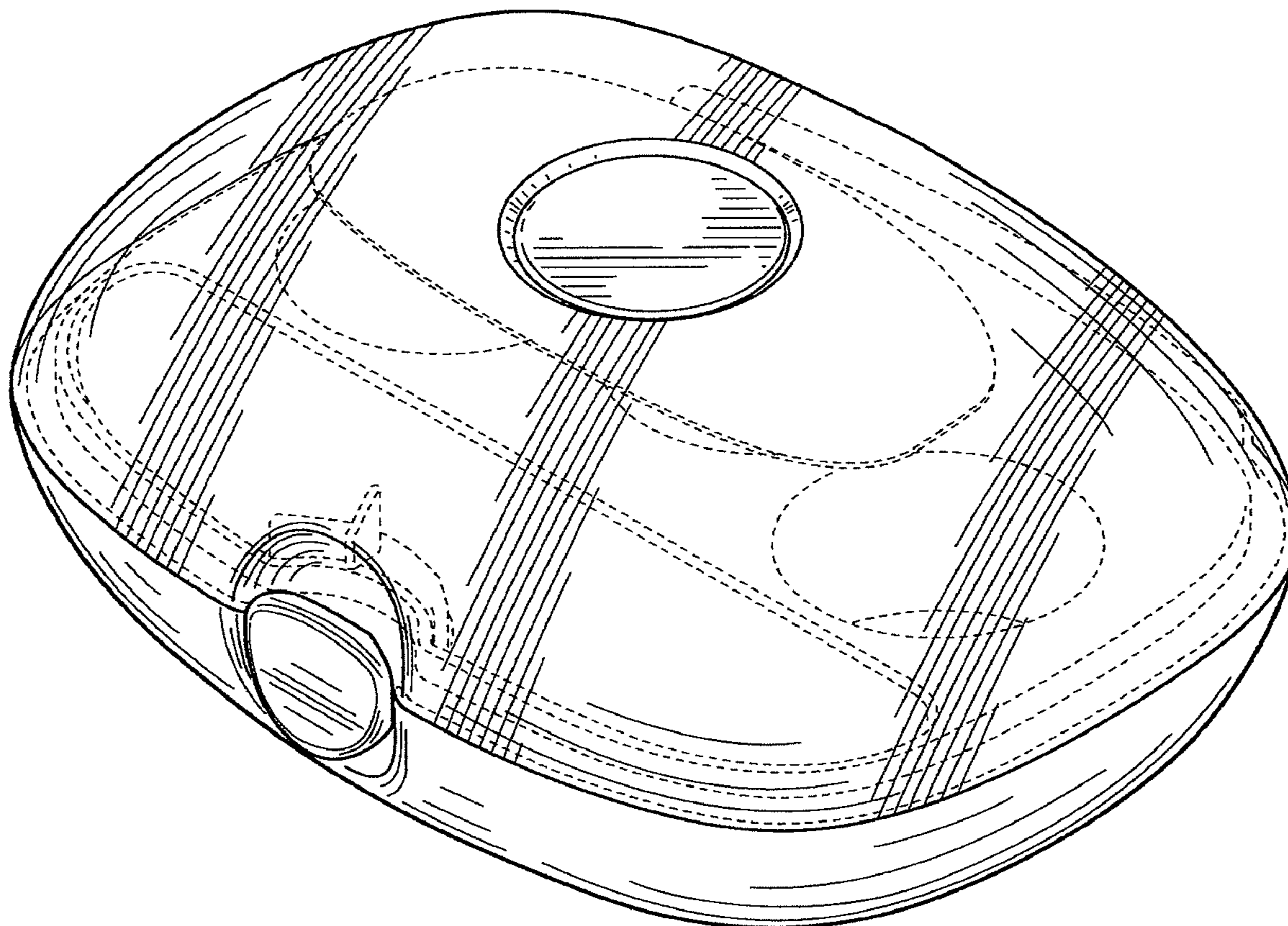
(57) **CLAIM**

We claim, the design for a multi-weight case, as shown and described.

DESCRIPTION

FIG. 1 is a top, front, right perspective view of a multi-weight case according to our design;
FIG. 2 is a top plan view thereof;
FIG. 3 is a bottom view thereof;
FIG. 4 is a front view thereof;
FIG. 5 is a rear view thereof;
FIG. 6 is a right side elevational view thereof; and,
FIG. 7 is a left side elevational view thereof.
The broken lines in the drawings form no part of the claimed design.

1 Claim, 6 Drawing Sheets



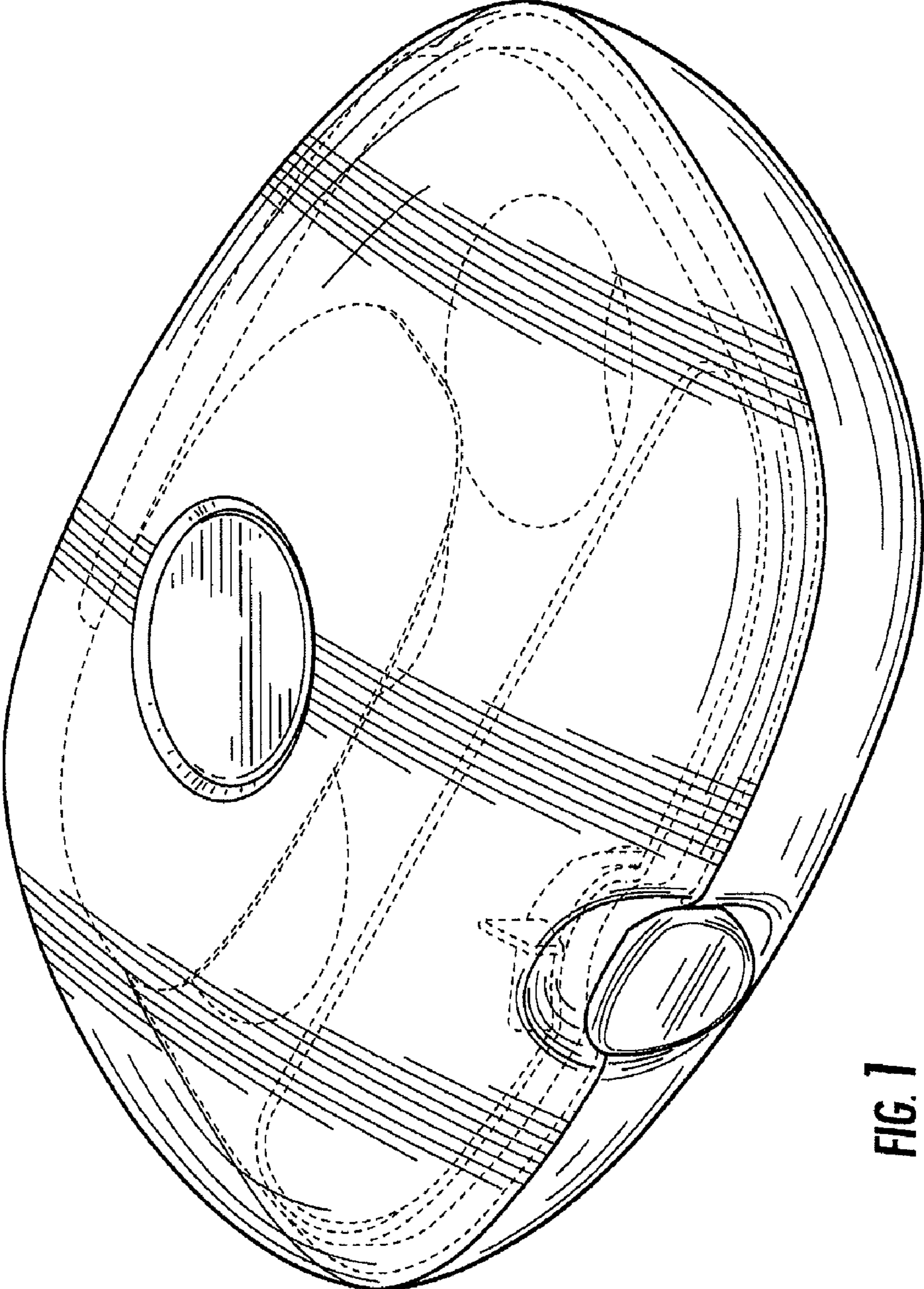


FIG. 1

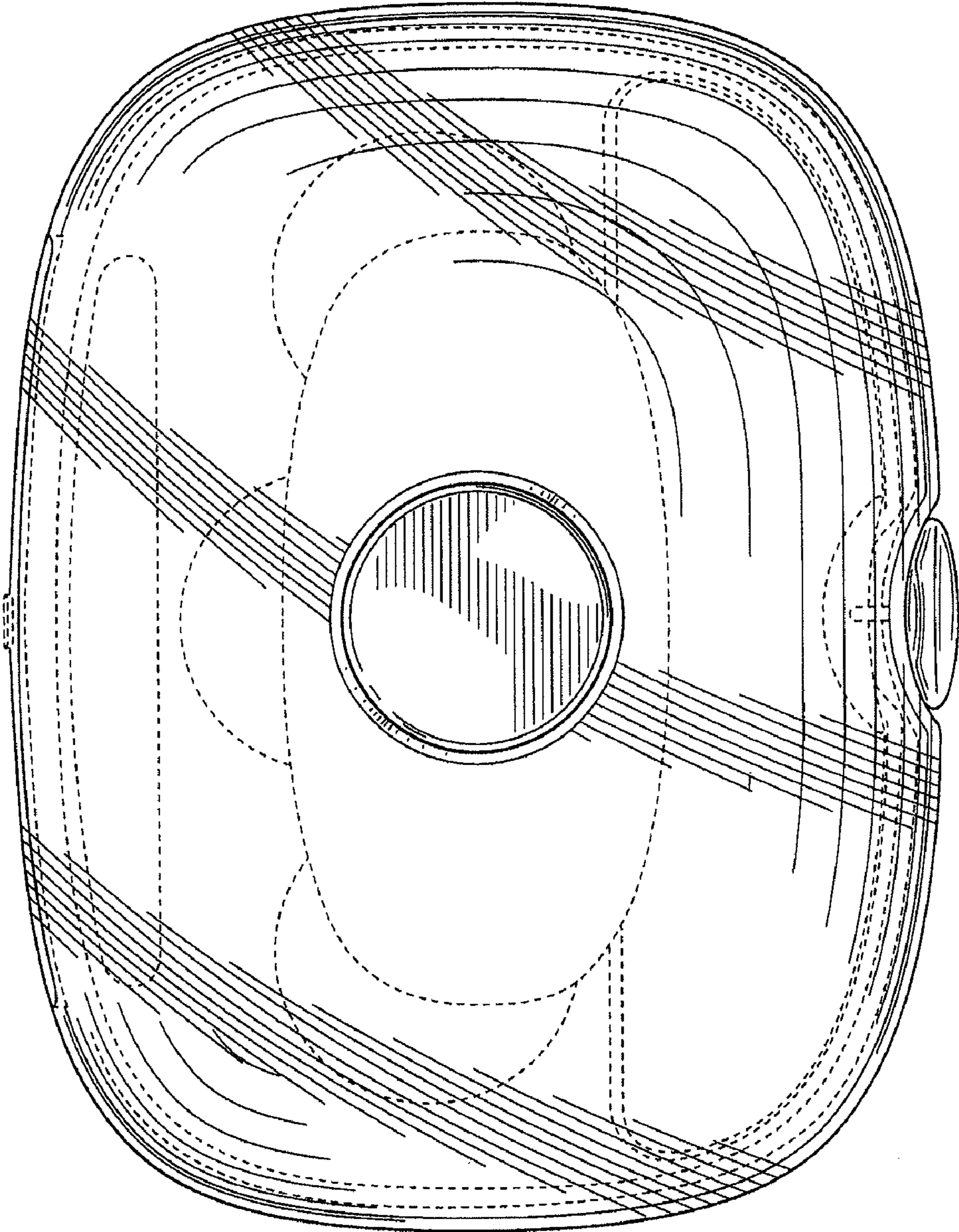


FIG. 2

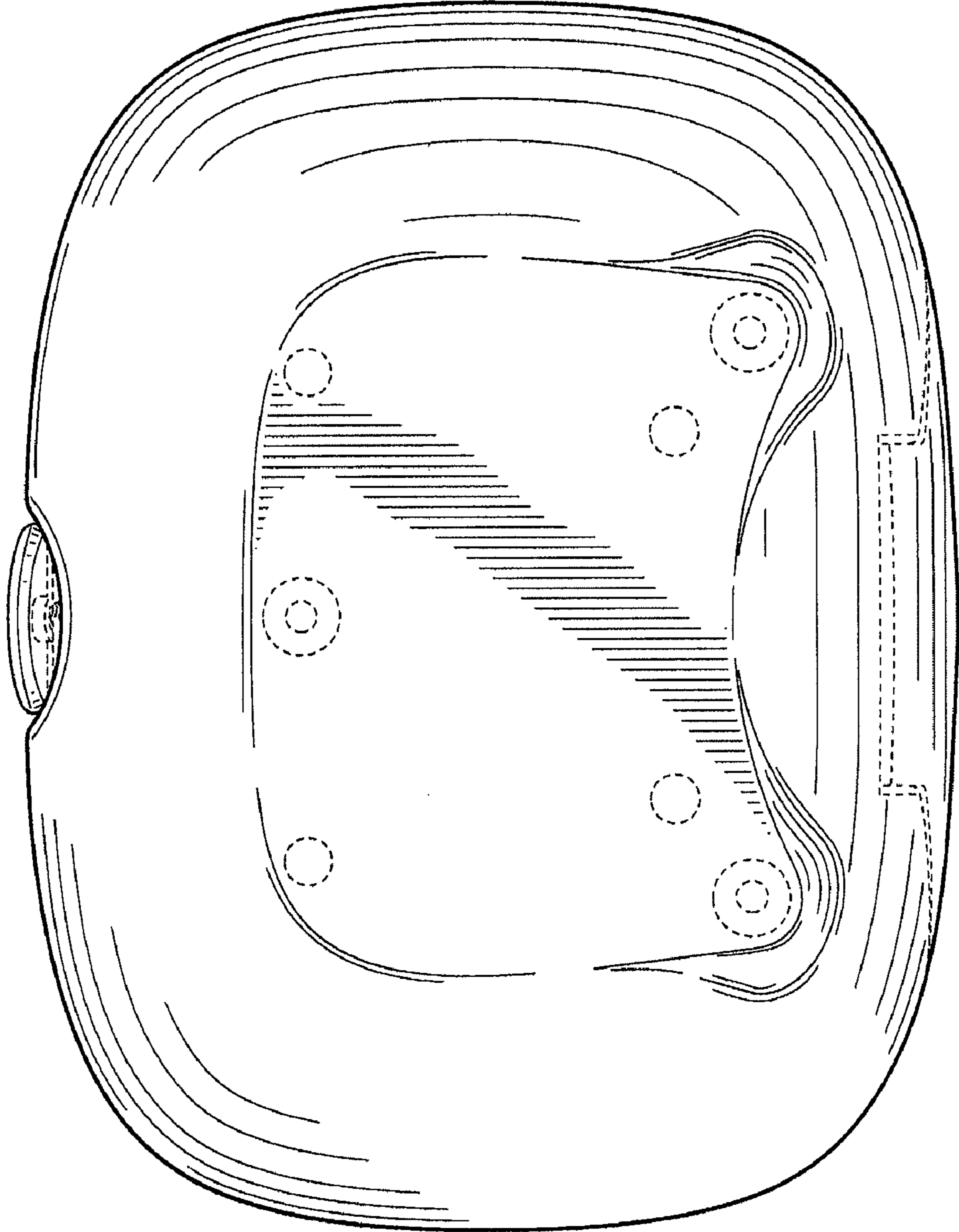


FIG. 3

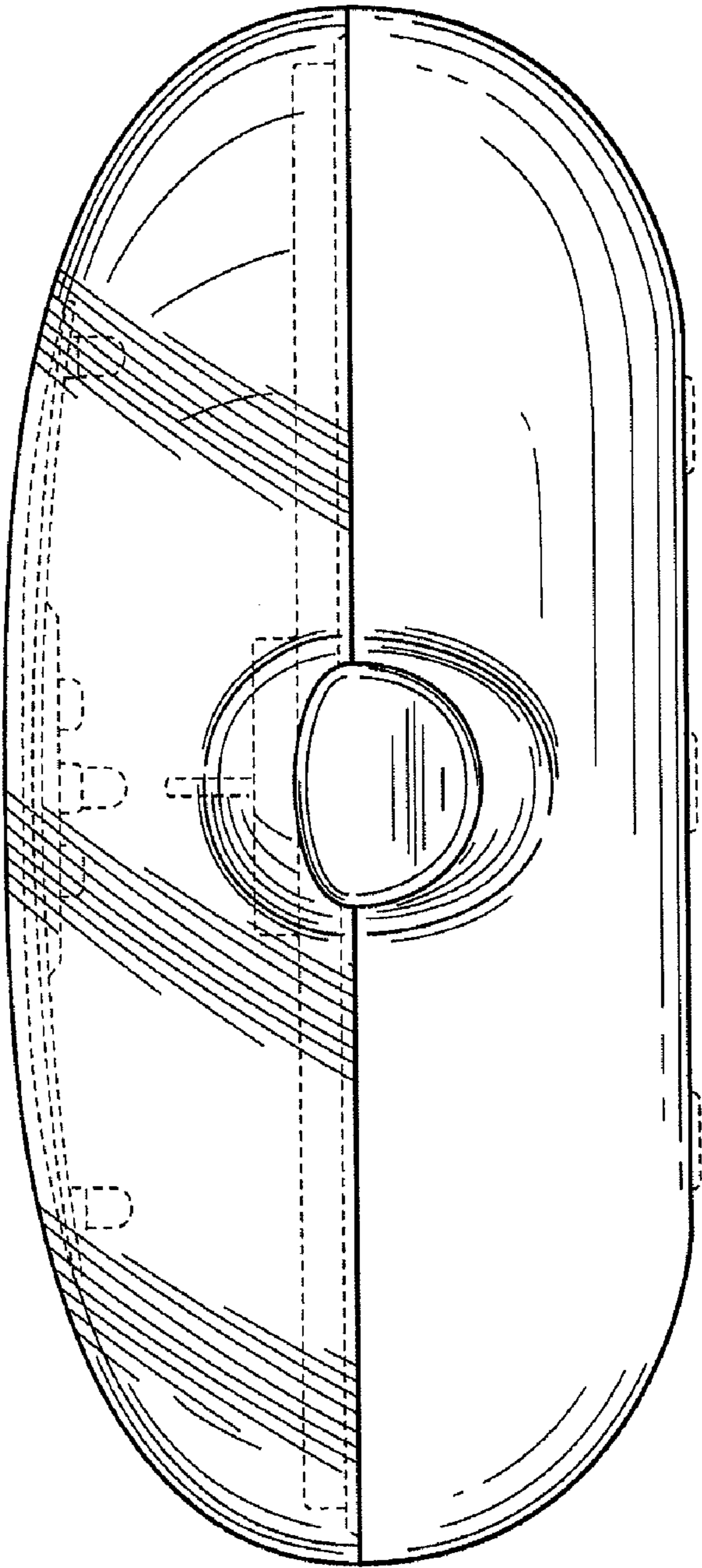


FIG. 4

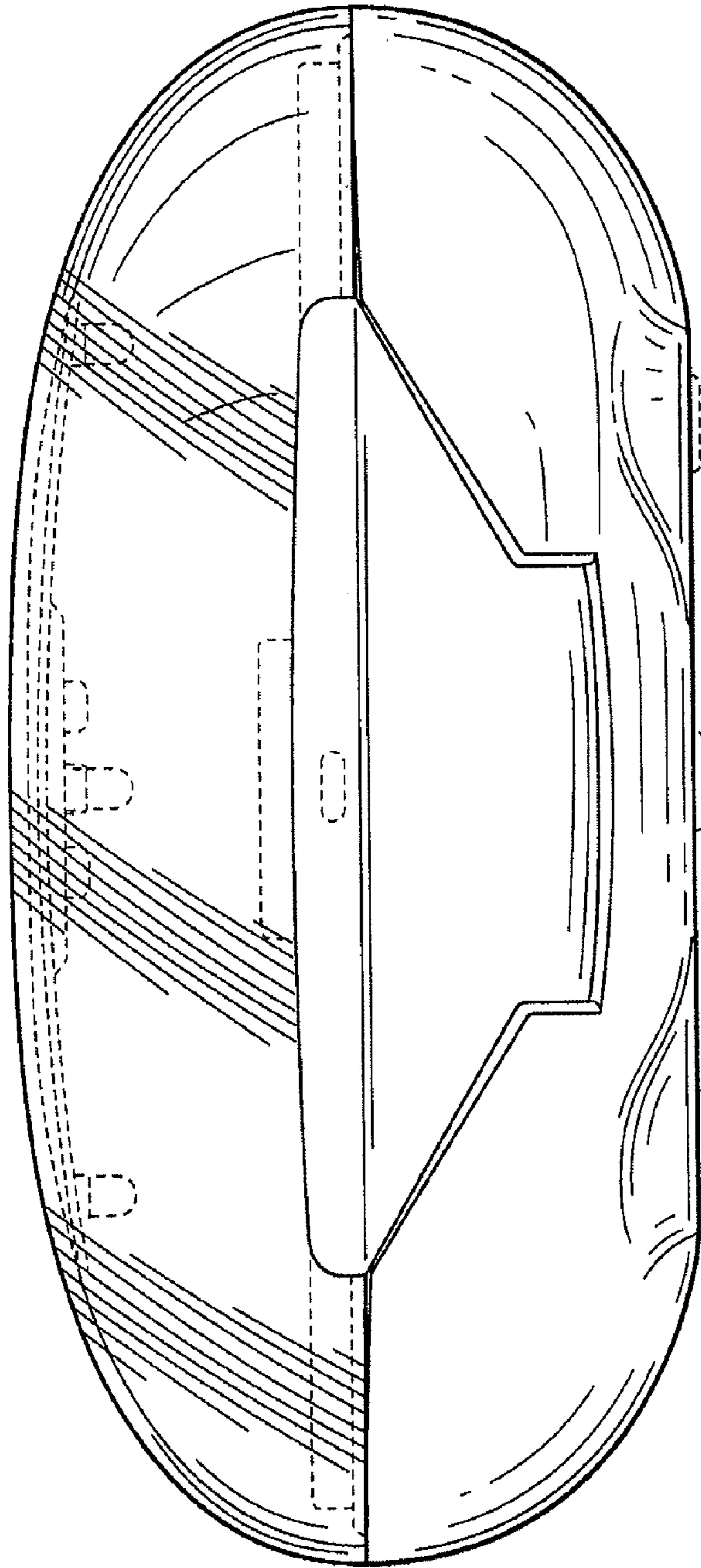


FIG. 5

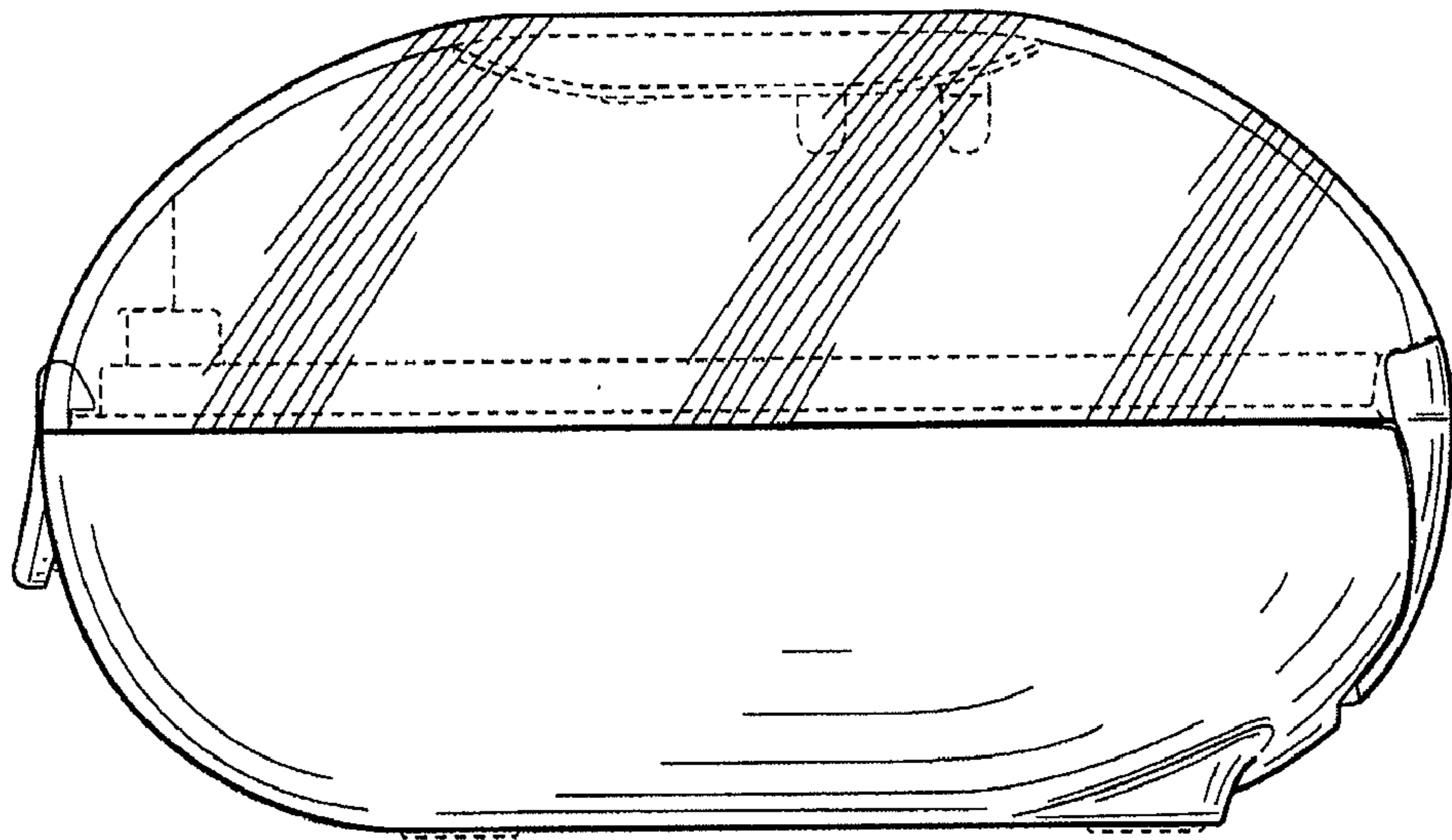


FIG. 6

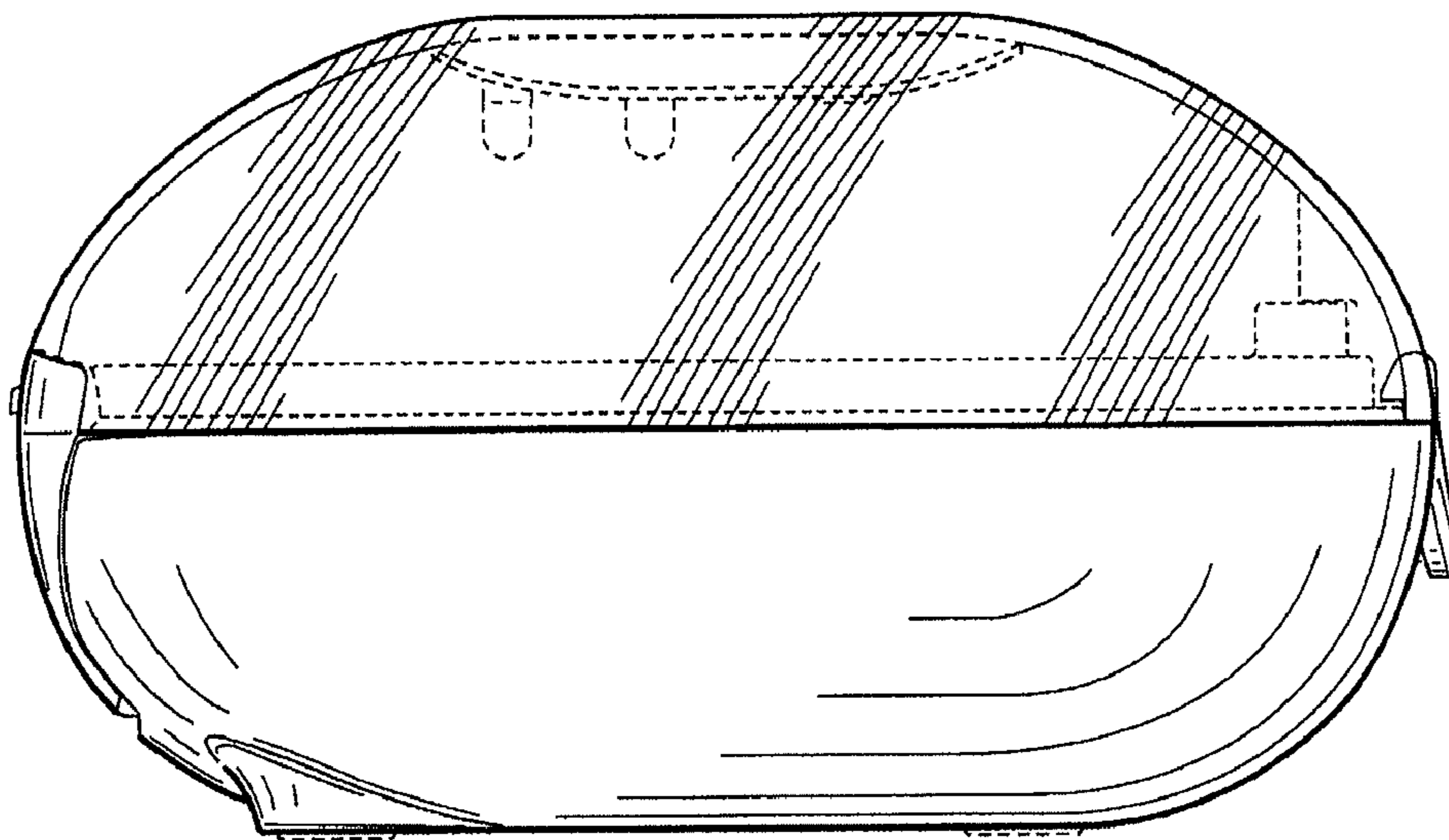


FIG. 7