



US00D634114S

(12) **United States Design Patent**  
**Liao**

(10) **Patent No.:** **US D634,114 S**

(45) **Date of Patent:** **\*\* Mar. 15, 2011**

(54) **UMBRELLA HOLDER**

(75) Inventor: **Gordon Liao**, Yung Kang (TW)

(73) Assignee: **Unique Product & Design Co., Ltd.**,  
Yung Kang (TW)

(\*\*) Term: **14 Years**

(21) Appl. No.: **29/364,994**

(22) Filed: **Jul. 1, 2010**

(51) **LOC (9) Cl.** ..... **03-03**

(52) **U.S. Cl.** ..... **D3/10**

(58) **Field of Classification Search** ..... D3/5, 10,  
D3/12, 16, 17; 135/15.1, 25.4, 27; D21/789,  
D21/796

See application file for complete search history.

(56) **References Cited**

**U.S. PATENT DOCUMENTS**

6,520,574	B1 *	2/2003	Huang	.....	297/184.16
7,003,849	B2 *	2/2006	Cohen et al.	.....	16/232
D516,296	S *	3/2006	Napieraj	.....	D3/10
D623,395	S *	9/2010	Liao	.....	D3/10

D625,509	S *	10/2010	Quinn	.....	D3/10
2002/0157693	A1 *	10/2002	Whitmer	.....	135/16
2008/0230102	A1 *	9/2008	Blumenthal et al.	.....	135/26

\* cited by examiner

*Primary Examiner* — Celia A Murphy

*Assistant Examiner* — John Windmuller

(74) *Attorney, Agent, or Firm* — Alan Kamrath; Kamrath & Associates PA

(57) **CLAIM**

The ornamental design for an umbrella holder, as shown and described.

**DESCRIPTION**

FIG. 1 is a perspective view of an umbrella holder showing my new design;

FIG. 2 is a front elevational view thereof;

FIG. 3 is a rear elevational view thereof;

FIG. 4 is a left side elevational view thereof;

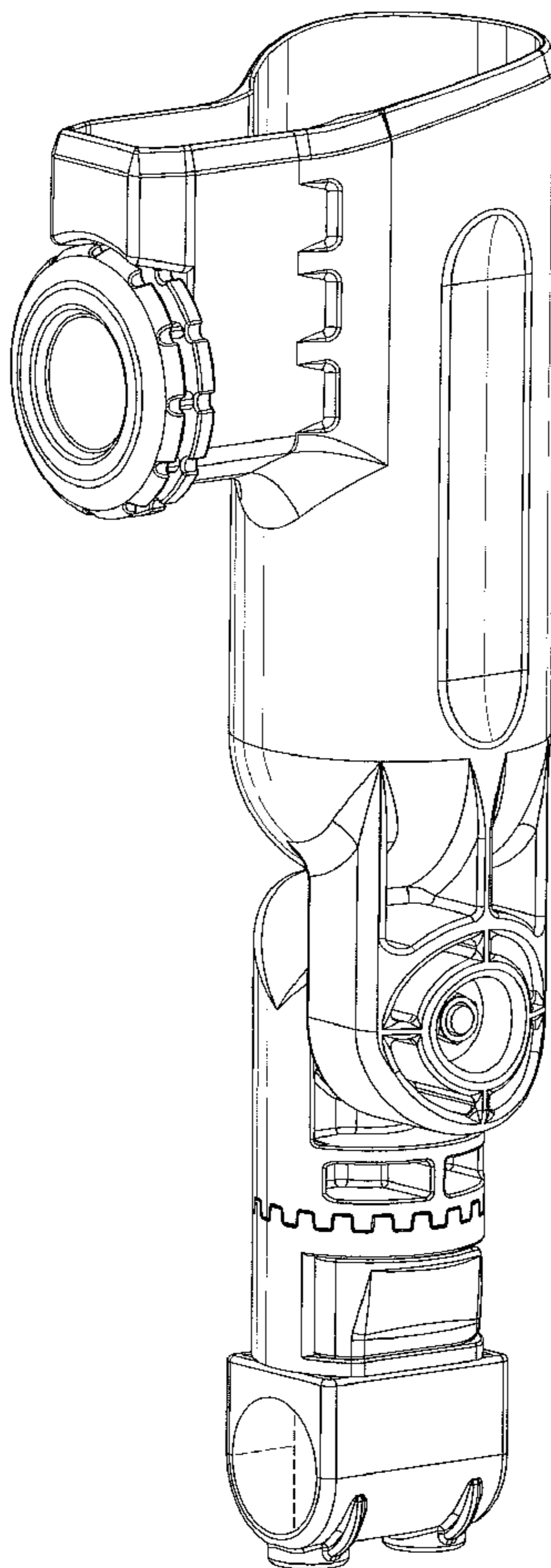
FIG. 5 is a right side elevational view thereof;

FIG. 6 is a top plan view thereof; and,

FIG. 7 is a bottom plan view thereof.

The broken lines in the figures depict portions of the umbrella holder that form no part of the claimed design.

**1 Claim, 5 Drawing Sheets**



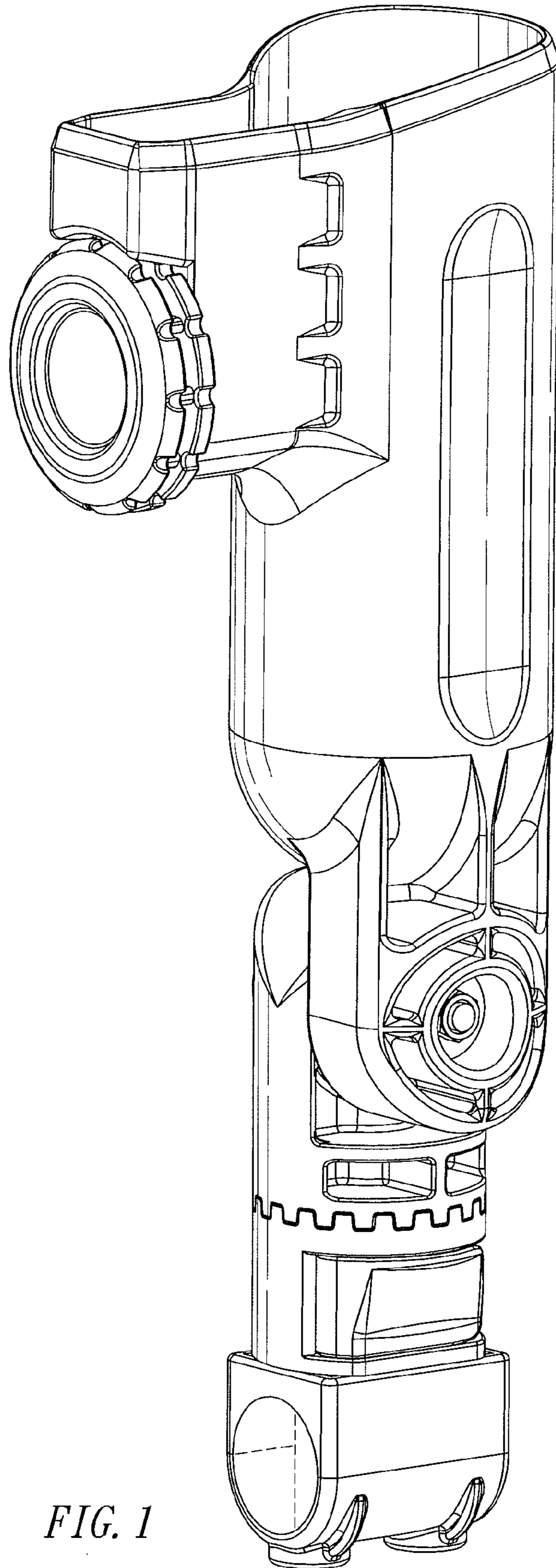


FIG. 1

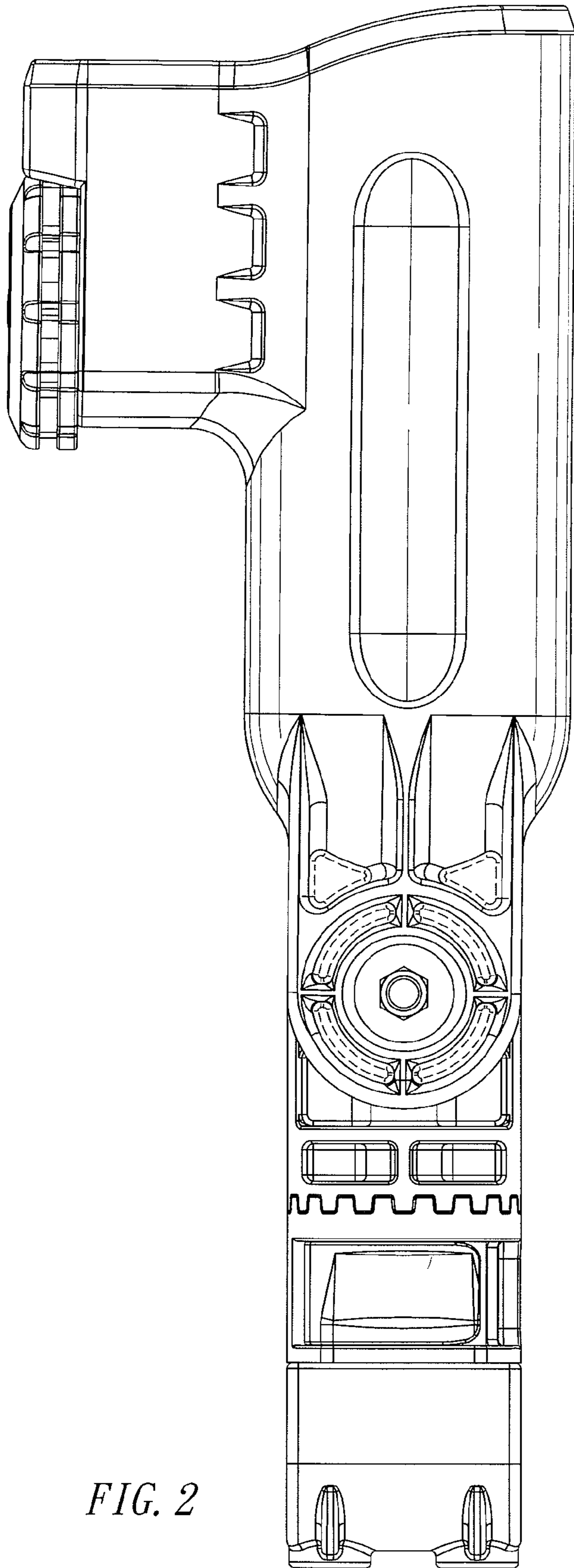


FIG. 2

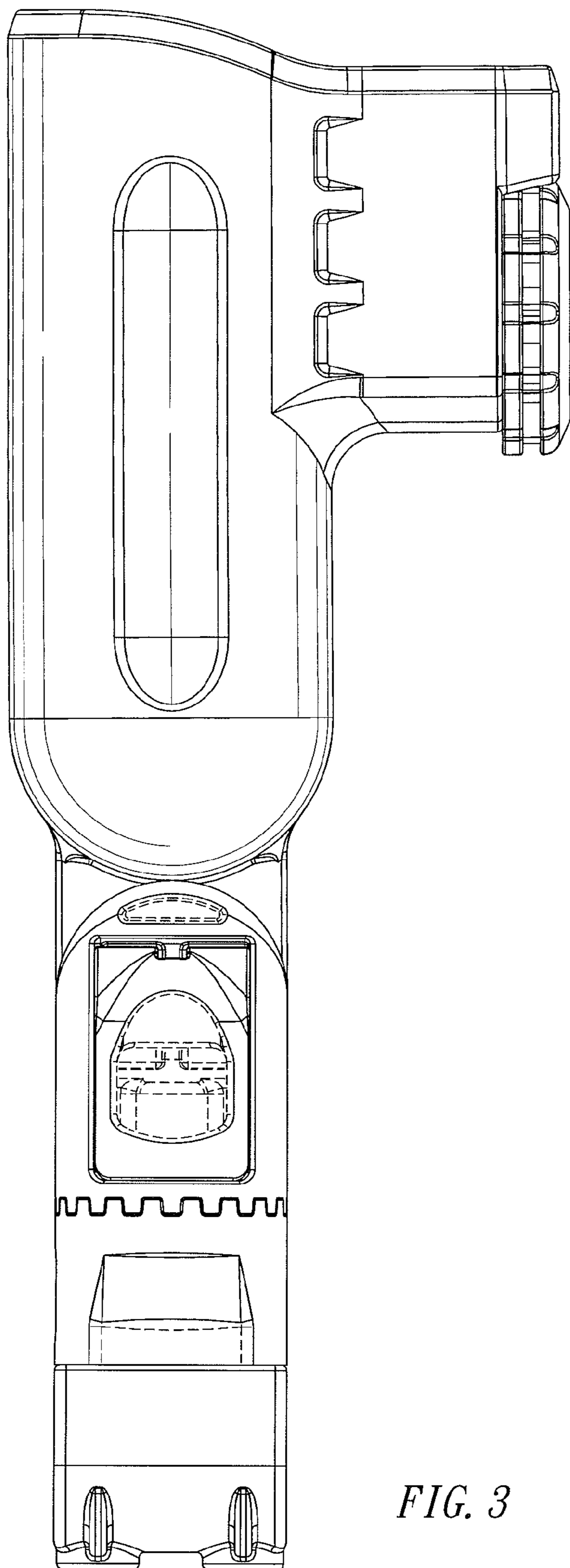


FIG. 3

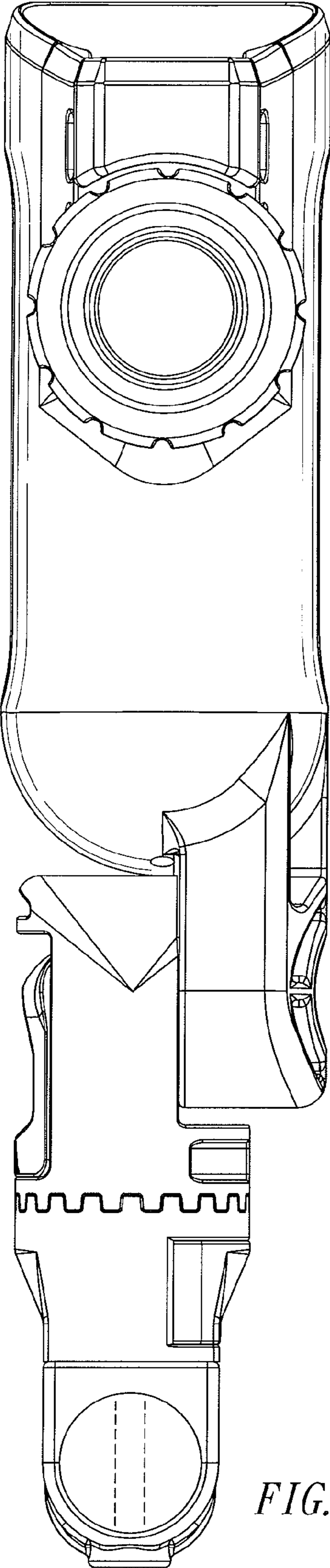


FIG. 4

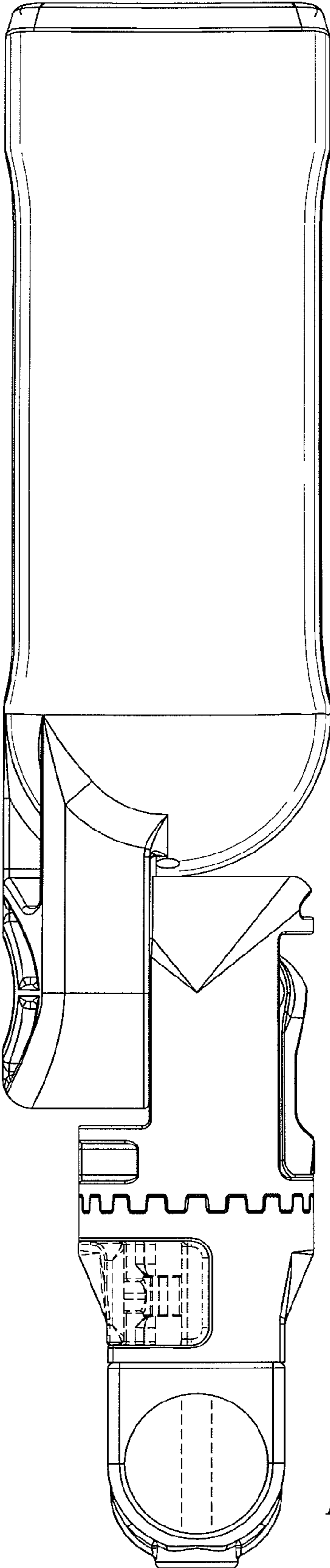


FIG. 5

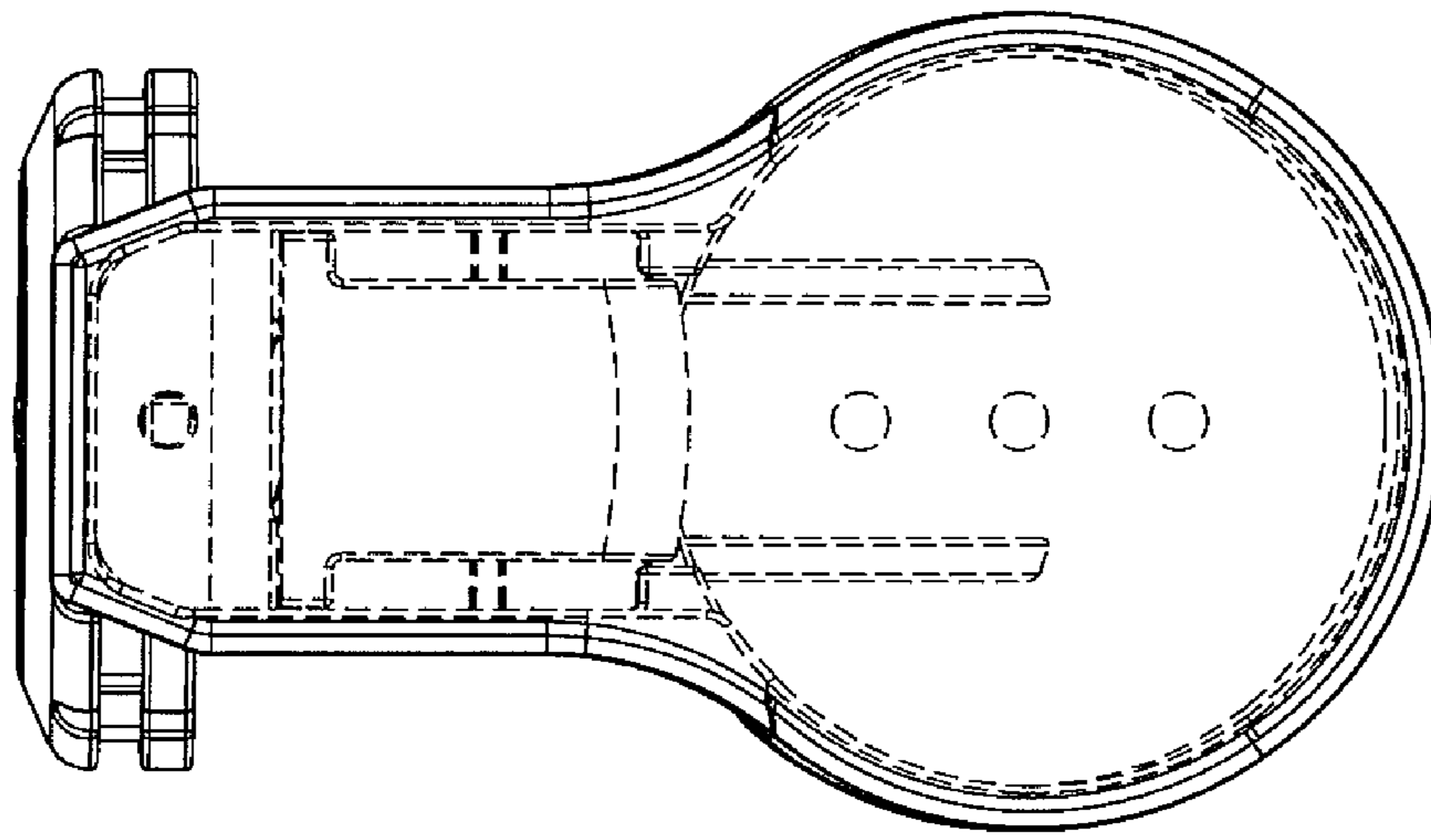


FIG. 6

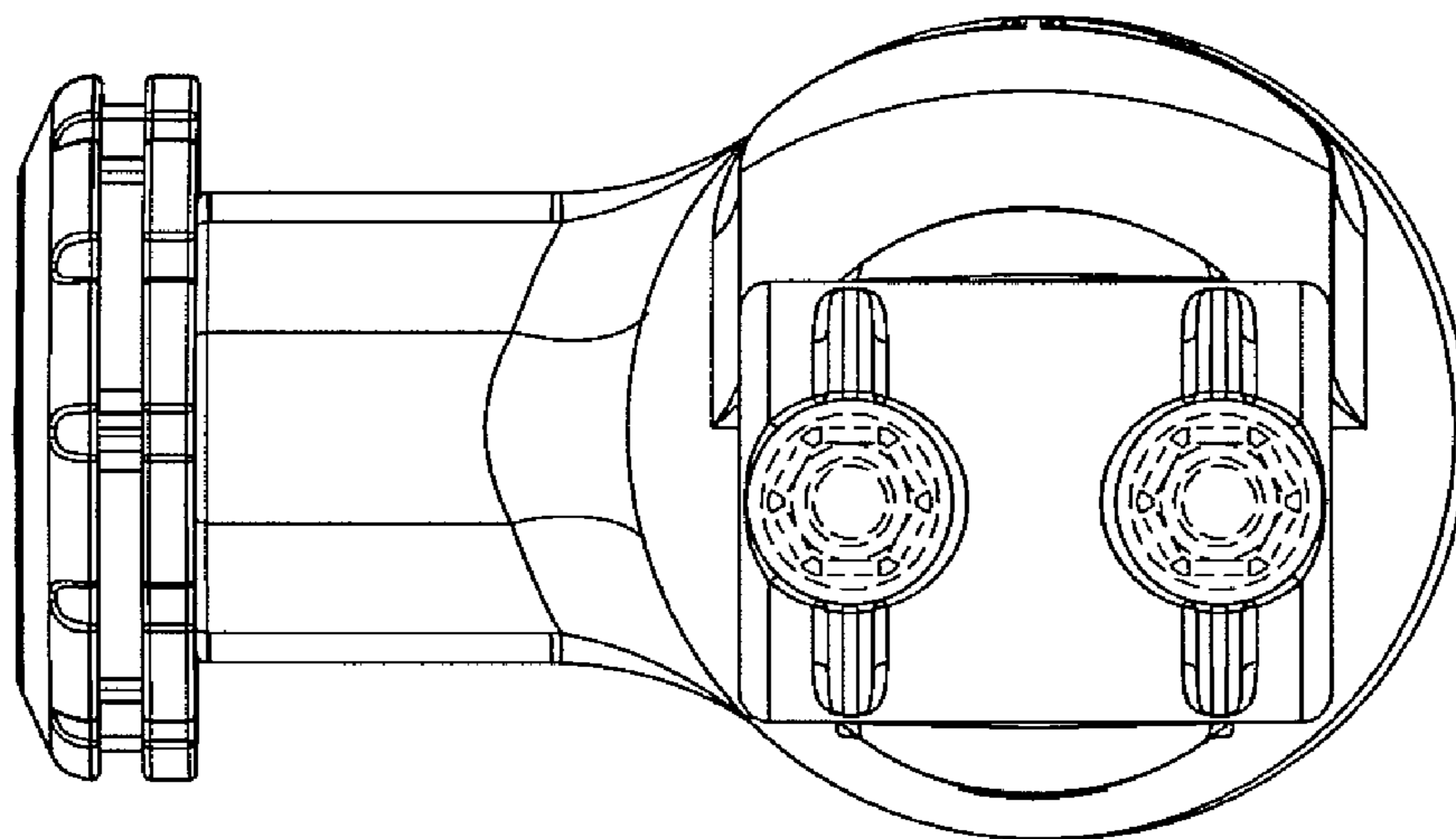


FIG. 7