



US00D634113S

(12) **United States Design Patent**
Tharp

(10) **Patent No.:** **US D634,113 S**
(45) **Date of Patent:** **** Mar. 15, 2011**

(54) **UMBRELLA**

Primary Examiner — Doris Clark

(76) **Inventor:** **Bruce M. Tharp**, Chicago, IL (US)

(74) *Attorney, Agent, or Firm* — McAndrews, Held & Malloy, Ltd.

(**) **Term:** **14 Years**

(21) **Appl. No.:** **29/377,266**

(57) **CLAIM**

(22) **Filed:** **Oct. 19, 2010**

The ornamental design for an umbrella, as shown and described.

Related U.S. Application Data

(63) Continuation of application No. 29/352,149, filed on Dec. 17, 2009, now Pat. No. Des. 625,506.

DESCRIPTION

(51) **LOC (9) Cl.** **03-03**

(52) **U.S. Cl.** **D3/5**

(58) **Field of Classification Search** D3/5, 10, D3/12, 13, 16, 17; 135/15.1, 23, 20.1, 20.3, 135/25.31, 33.7, 39, 40, 25.01, 21, 16, 44
See application file for complete search history.

FIG. 1 is a front elevation view of my new design for an umbrella in a closed position; the back elevation view being a mirror image;

FIG. 2 is a right-side elevation view thereof in a closed position; the left-side elevation view being a mirror image;

FIG. 3 is a front elevation view thereof in an open position; the back elevation view being a mirror image;

FIG. 4 is a right-side elevation view thereof in an open position; the left-side elevation view being a mirror image;

FIG. 5 is an enlarged back elevation view of the umbrella's handle; and,

FIG. 6 is an enlarged left-side elevation view of the umbrella's handle.

The broken lines in the drawings are included for the purpose of illustrating environmental subject matter and form no part of the claimed design. The portions of the umbrella not shown form no part of the claimed design.

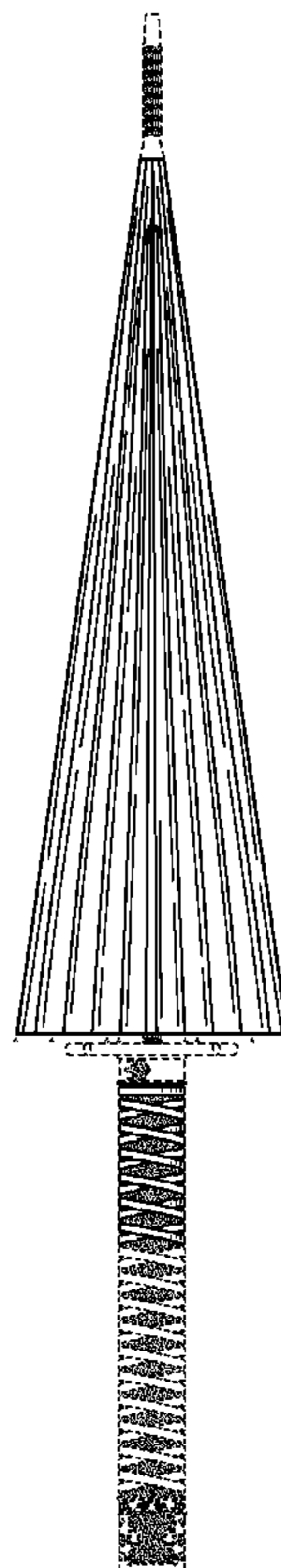
(56) **References Cited**

U.S. PATENT DOCUMENTS

D341,247 S	11/1993	Hampton	
6,079,430 A	6/2000	Yamamoto	
6,330,887 B1	12/2001	Chen	
D461,305 S	8/2002	Clarke et al.	
D464,481 S	10/2002	Webster	
D476,475 S *	7/2003	You	D3/5
D496,782 S	10/2004	Miles	
D513,117 S *	12/2005	Raede	D3/5
D521,229 S	5/2006	Mariano	

* cited by examiner

1 Claim, 5 Drawing Sheets



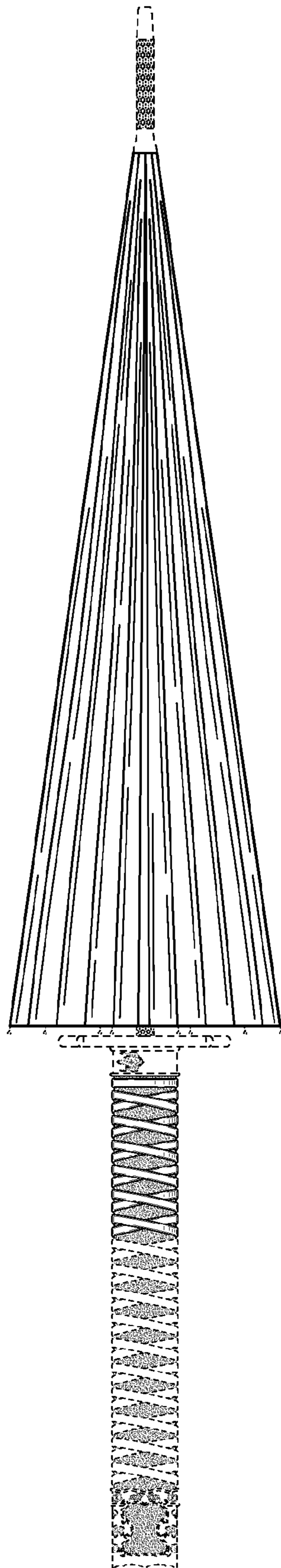


FIG. 1

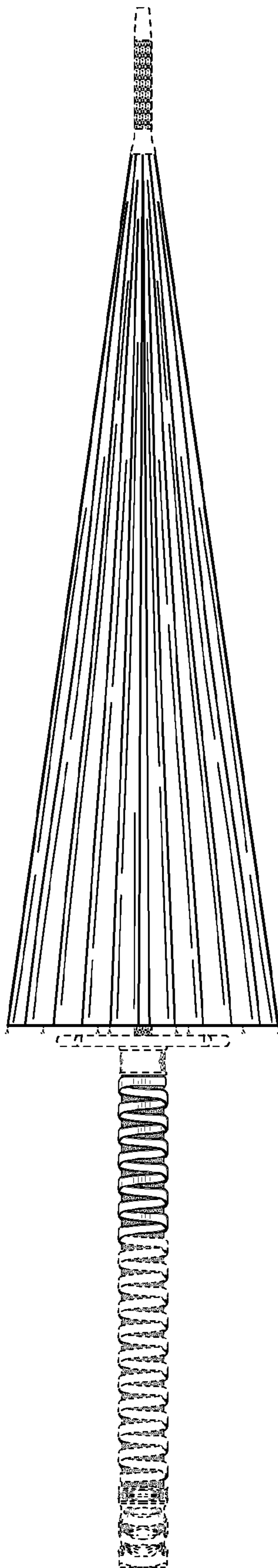


FIG. 2

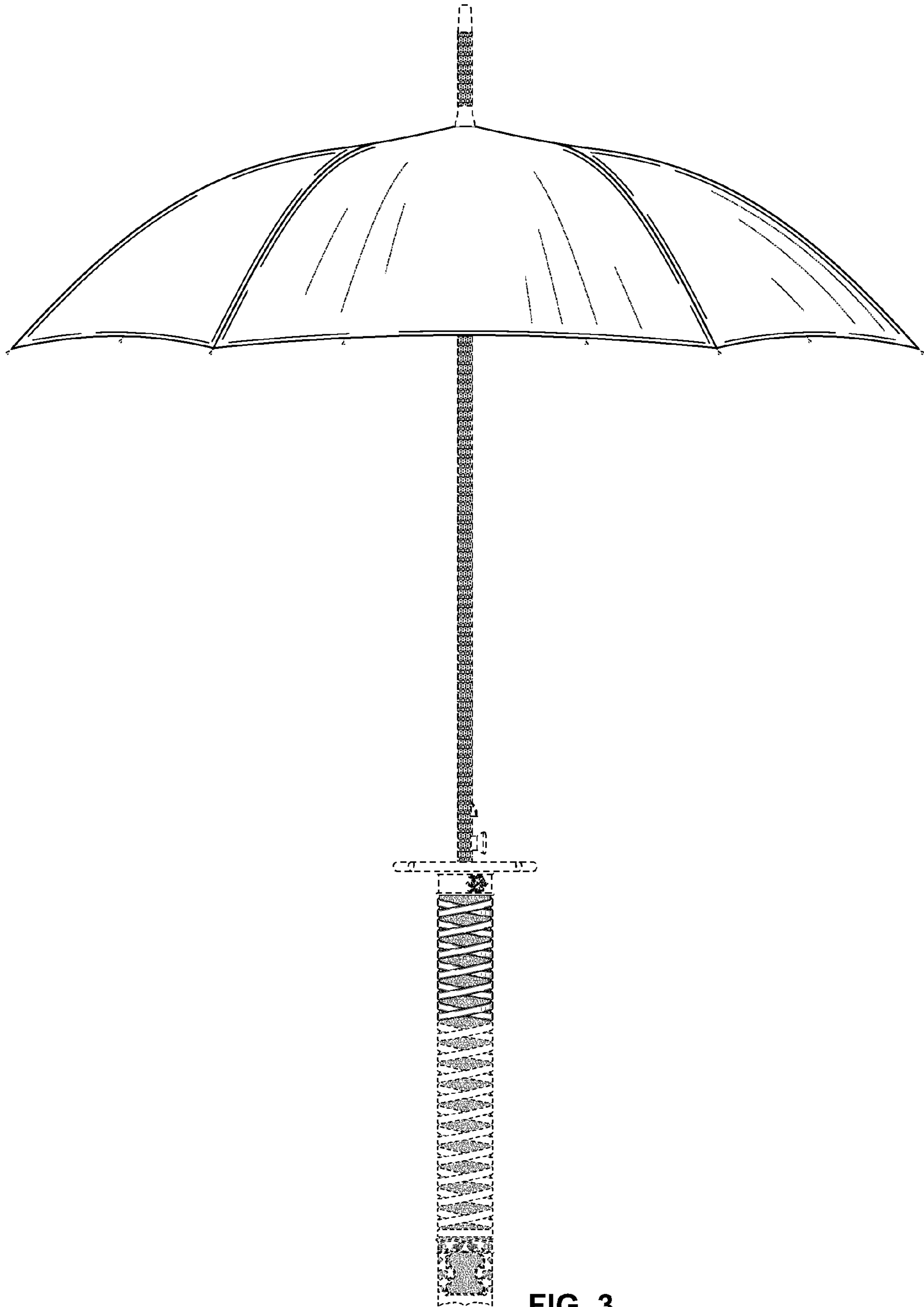


FIG. 3

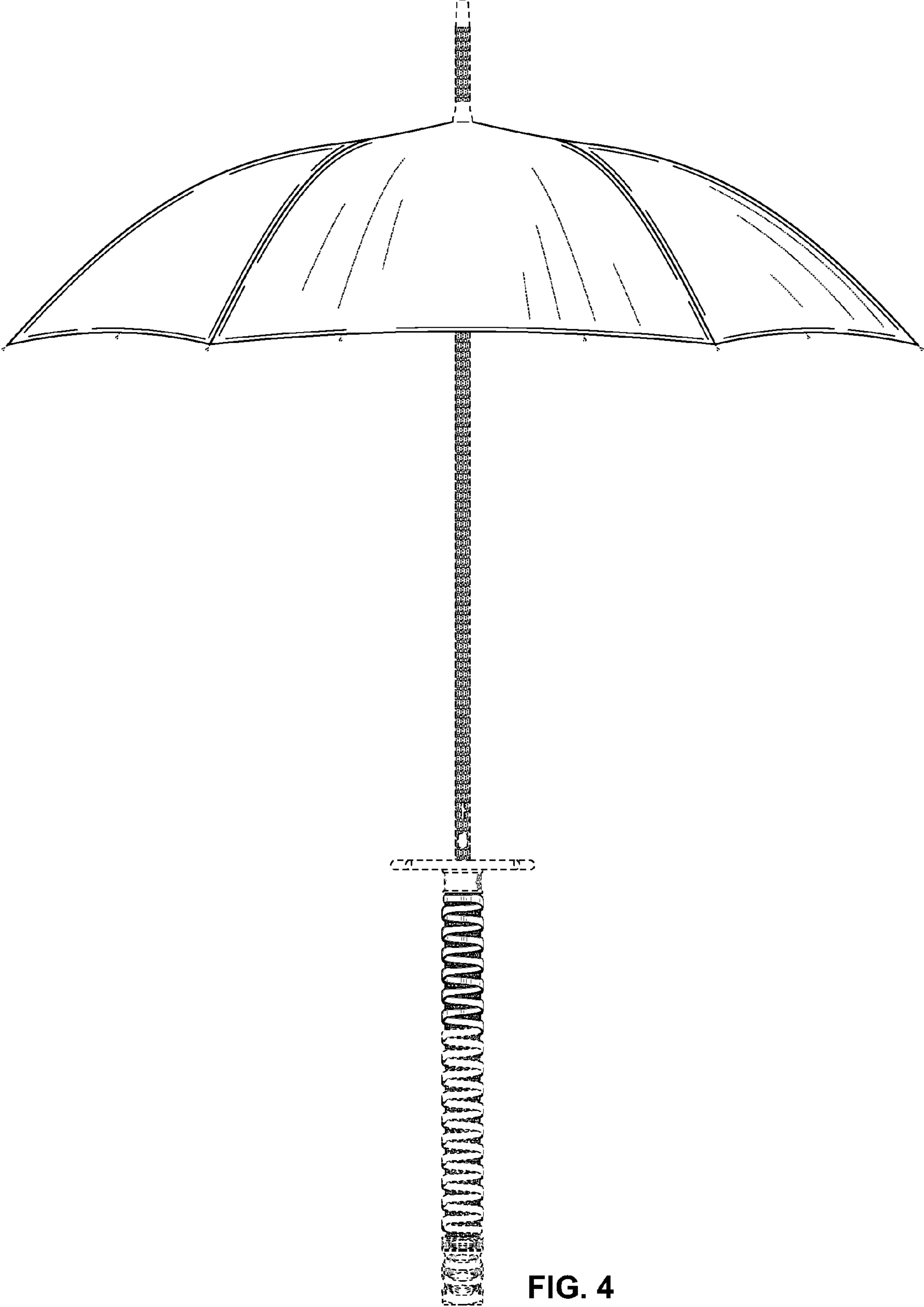


FIG. 4

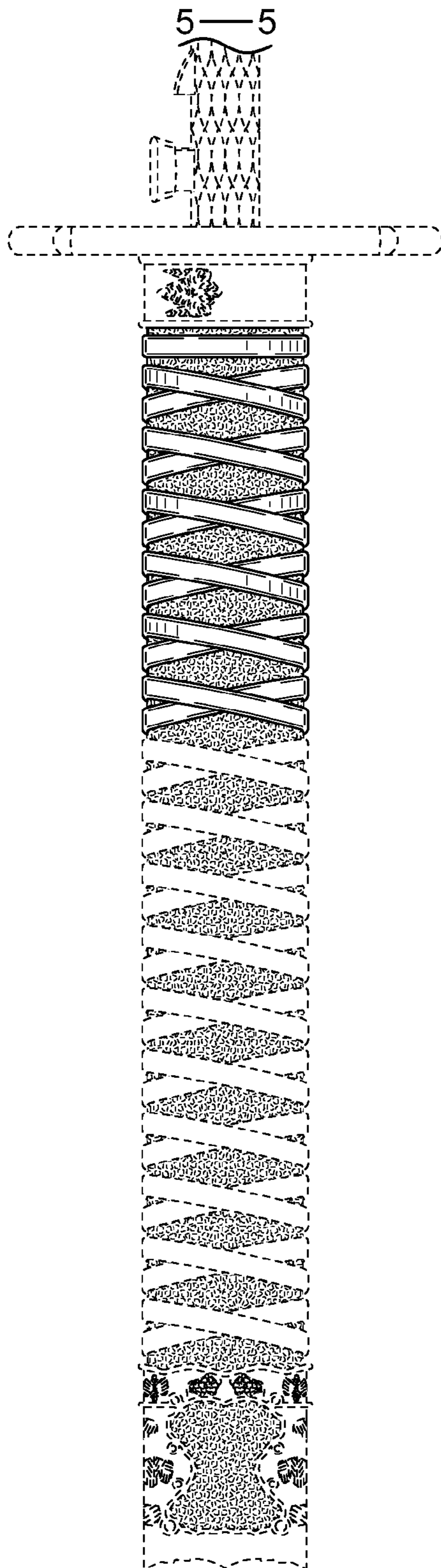


FIG. 5

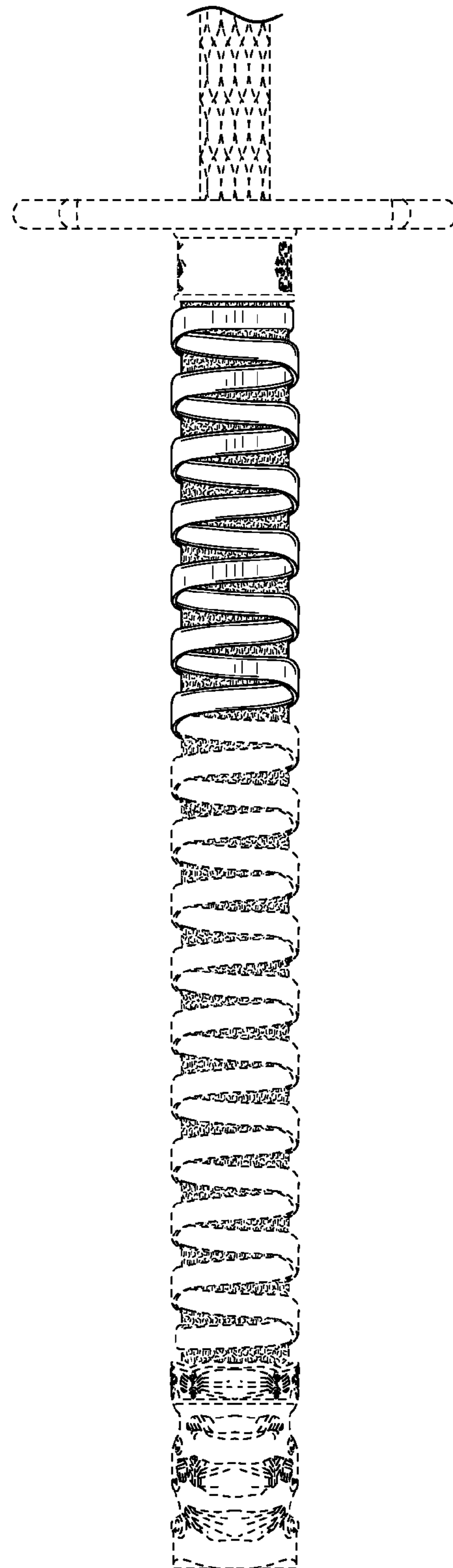


FIG. 6