



US00D634103S

(12) **United States Design Patent**  
**Nataadiningrat**

(10) **Patent No.:** **US D634,103 S**  
(45) **Date of Patent:** **\*\* Mar. 15, 2011**

(54) **DANCE FOOTWEAR**

(75) Inventor: **Melissa Nataadiningrat**, Oakland, NJ (US)

(73) Assignee: **Ballet Makers, Inc.**, Totowa, NJ (US)

(\*\*) Term: **14 Years**

(21) Appl. No.: **29/343,445**

(22) Filed: **Sep. 14, 2009**

(51) **LOC (9) Cl.** ..... **02-04**

(52) **U.S. Cl.** ..... **D2/896; D2/902; 36/8.3**

(58) **Field of Classification Search** ..... D2/896,  
D2/902, 916, 917, 919, 925, 946; 36/8.3  
See application file for complete search history.

(56) **References Cited**

U.S. PATENT DOCUMENTS

D117,918	S	*	12/1939	Brodict	.....	D2/896
2,237,652	A	*	4/1941	Capezio	.....	36/8.3
2,332,252	A	*	10/1943	Payne	.....	36/8.3
2,954,617	A	*	10/1960	Yamaguchi	.....	D2/896
5,865,779	A		2/1999	Gleason		
6,018,888	A	*	2/2000	Wilkenfeld et al.	.....	36/8.3
6,810,603	B1	*	11/2004	Cosentino	.....	36/8.3
7,051,457	B1		5/2006	Huggins et al.		
D551,430	S	*	9/2007	Wilkenfeld et al.	.....	D2/902
D558,957	S	*	1/2008	Wilkenfeld et al.	.....	D2/902
D559,504	S	*	1/2008	Wilkenfeld et al.	.....	D2/902

OTHER PUBLICATIONS

Footsmart, Silicone Plantar Cushion with Gel web sales page <<www.footsmart.com/P-Silicone-Plantar\_Cushion-with-Gel-40105.aspx.>>.

Jill's Hot Stuff, Jill's Toe Thongs web sales page <<www.jills-hot-stuff.com.>>.

\* cited by examiner

*Primary Examiner* — Dominic Simone

(74) *Attorney, Agent, or Firm* — Laubscher & Laubscher, P.C.

(57) **CLAIM**

The ornamental design for a dance footwear, as shown and described.

**DESCRIPTION**

FIG. 1 is a front perspective view of dance footwear illustrating my design;

FIG. 2 is a front elevation view thereof;

FIG. 3 is a top perspective view thereof;

FIG. 4 is a top plan view thereof;

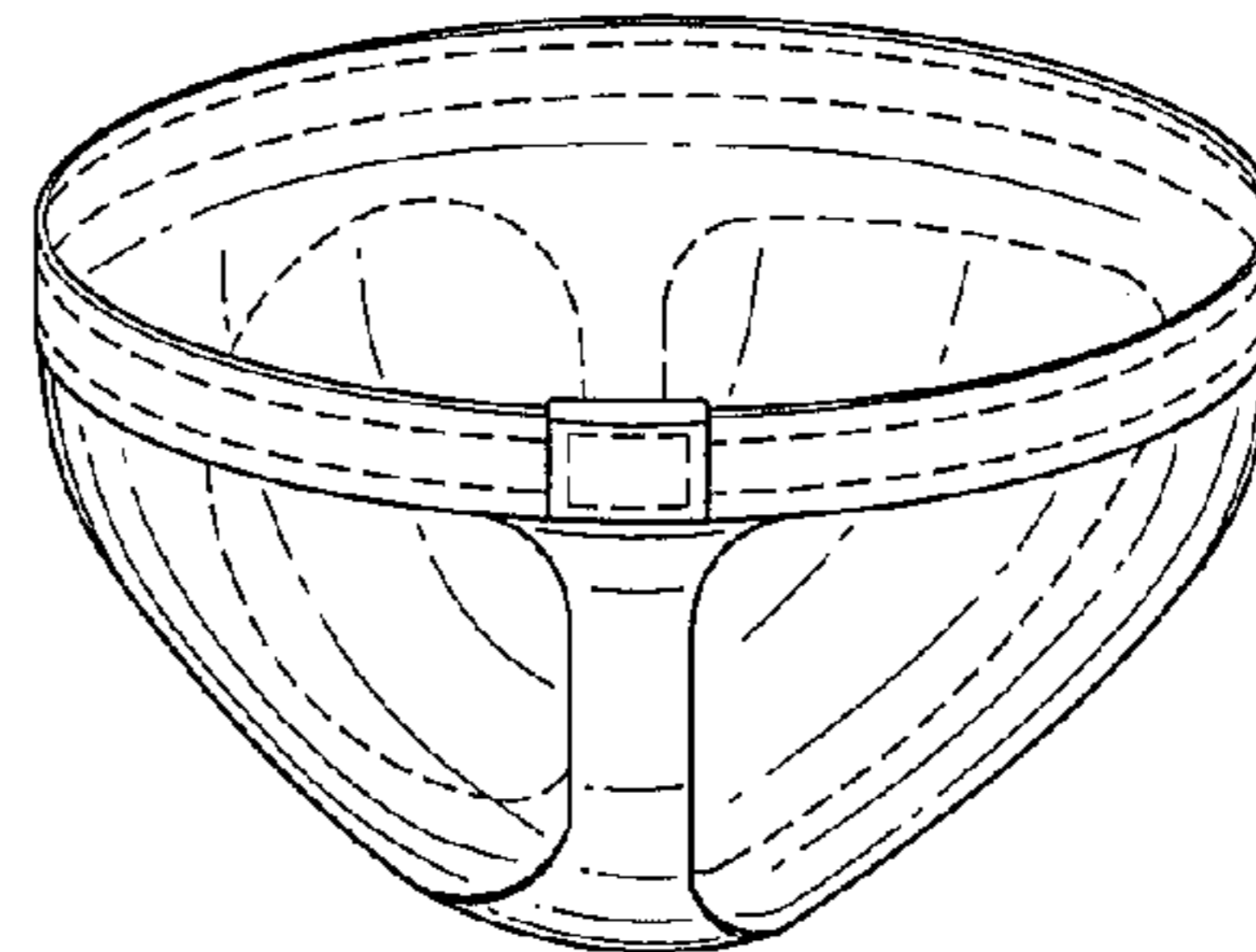
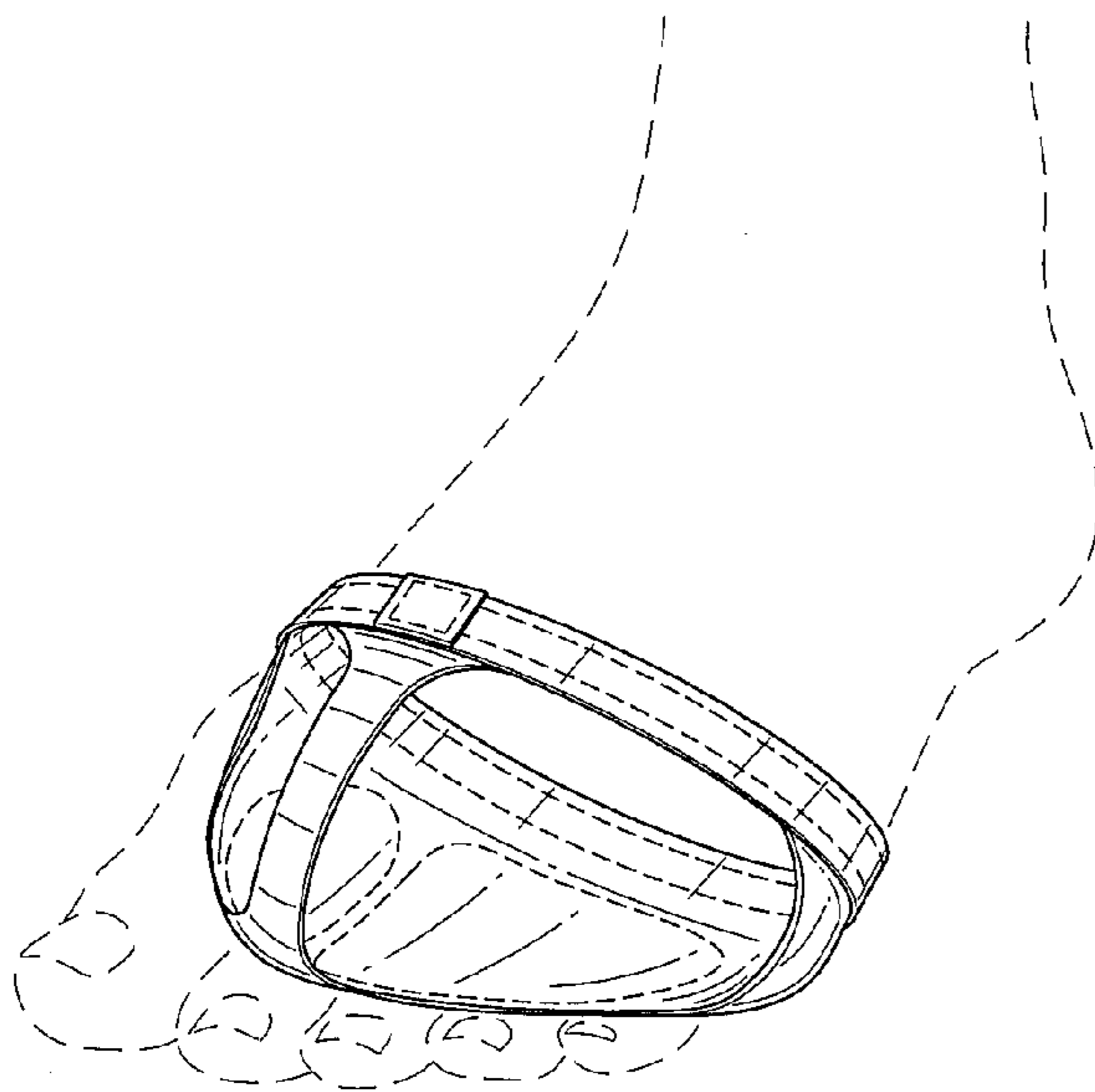
FIG. 5 is a left side elevation view thereof;

FIG. 6 is a right side elevation view thereof; and,

FIG. 7 is a bottom plan view thereof.

The broken lines showing a human foot in FIG. 1 are for environmental purposes only and form no part of the claimed design.

**1 Claim, 2 Drawing Sheets**



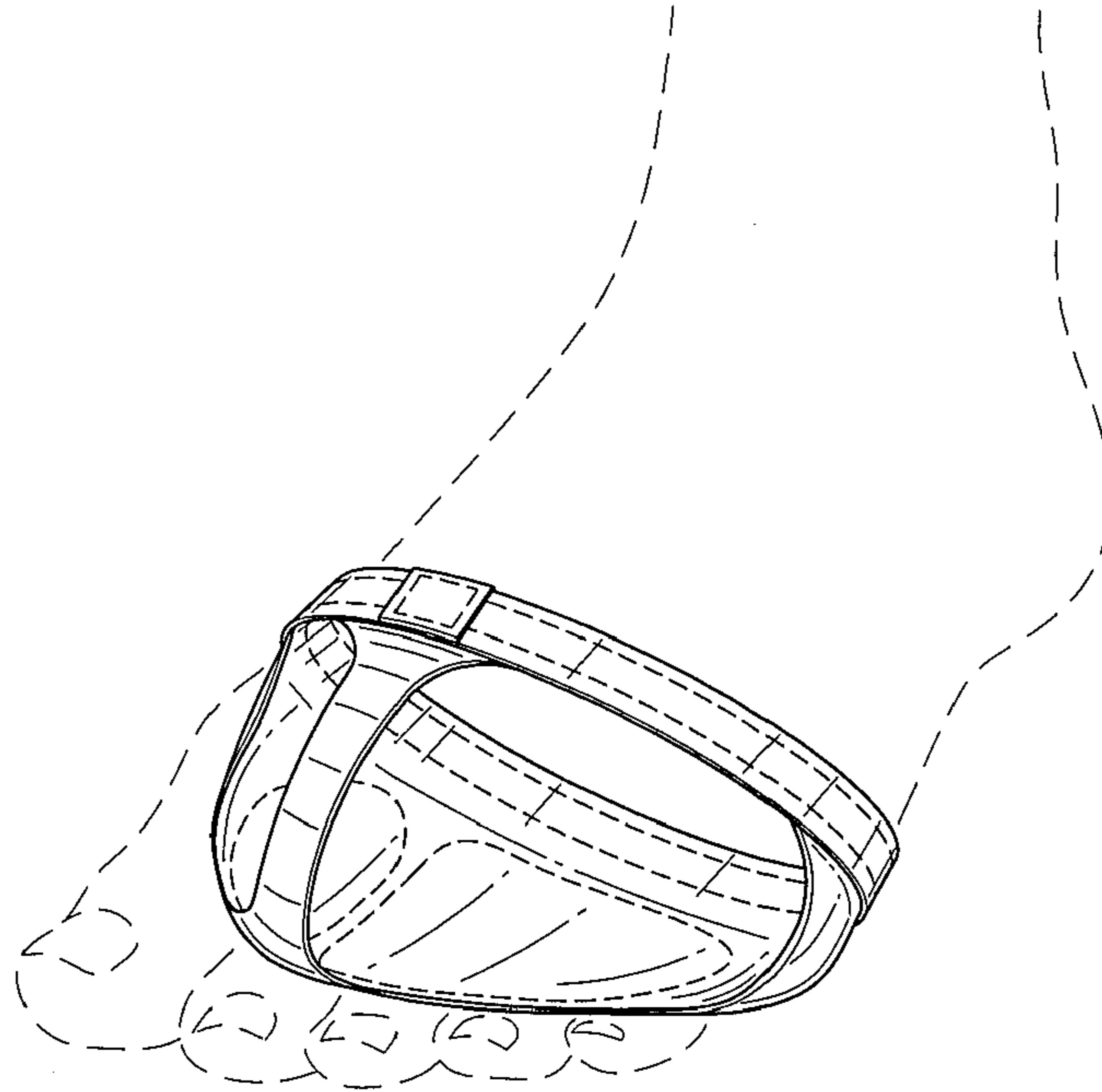


FIG. 1

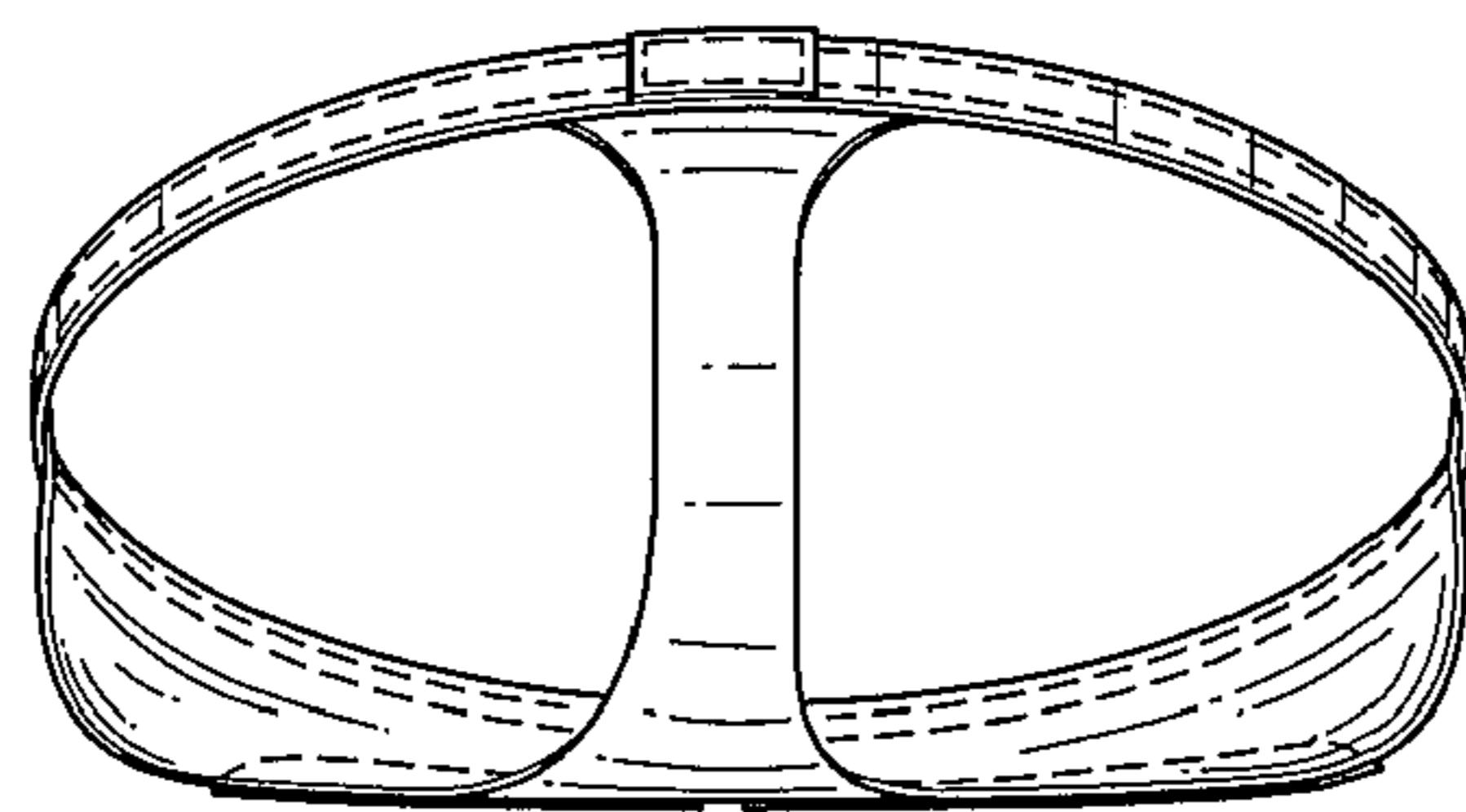


FIG. 2

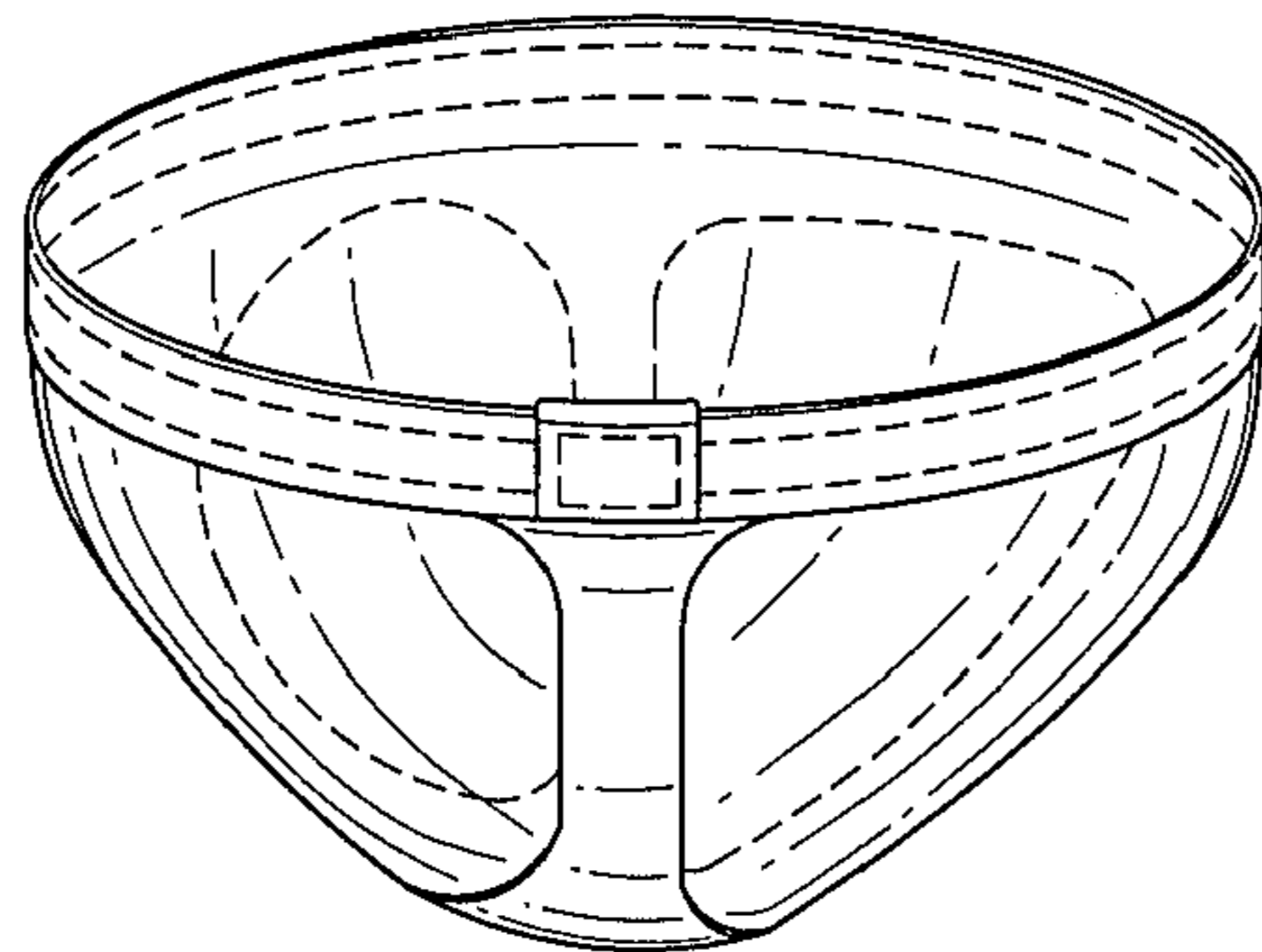


FIG. 3

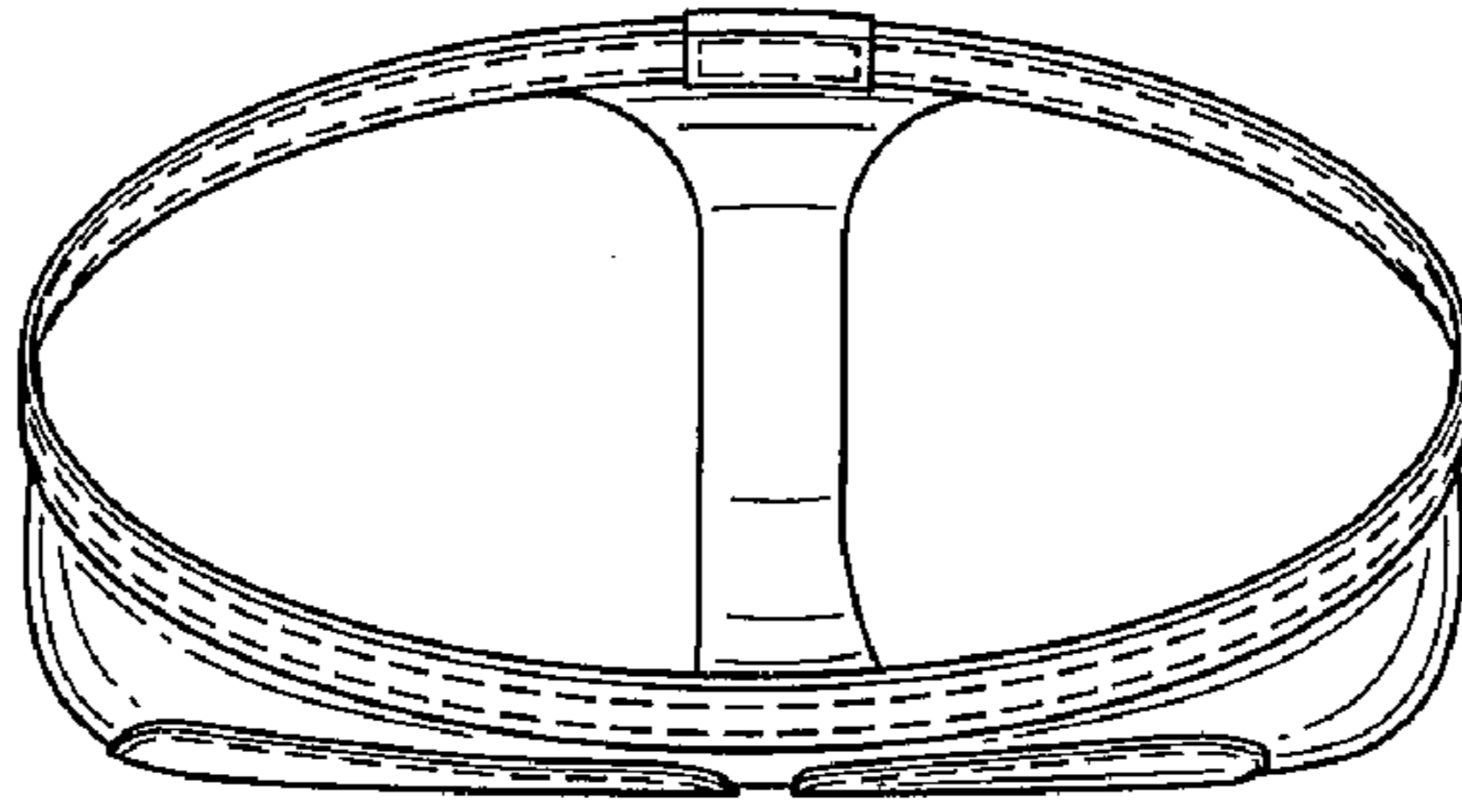


FIG. 4

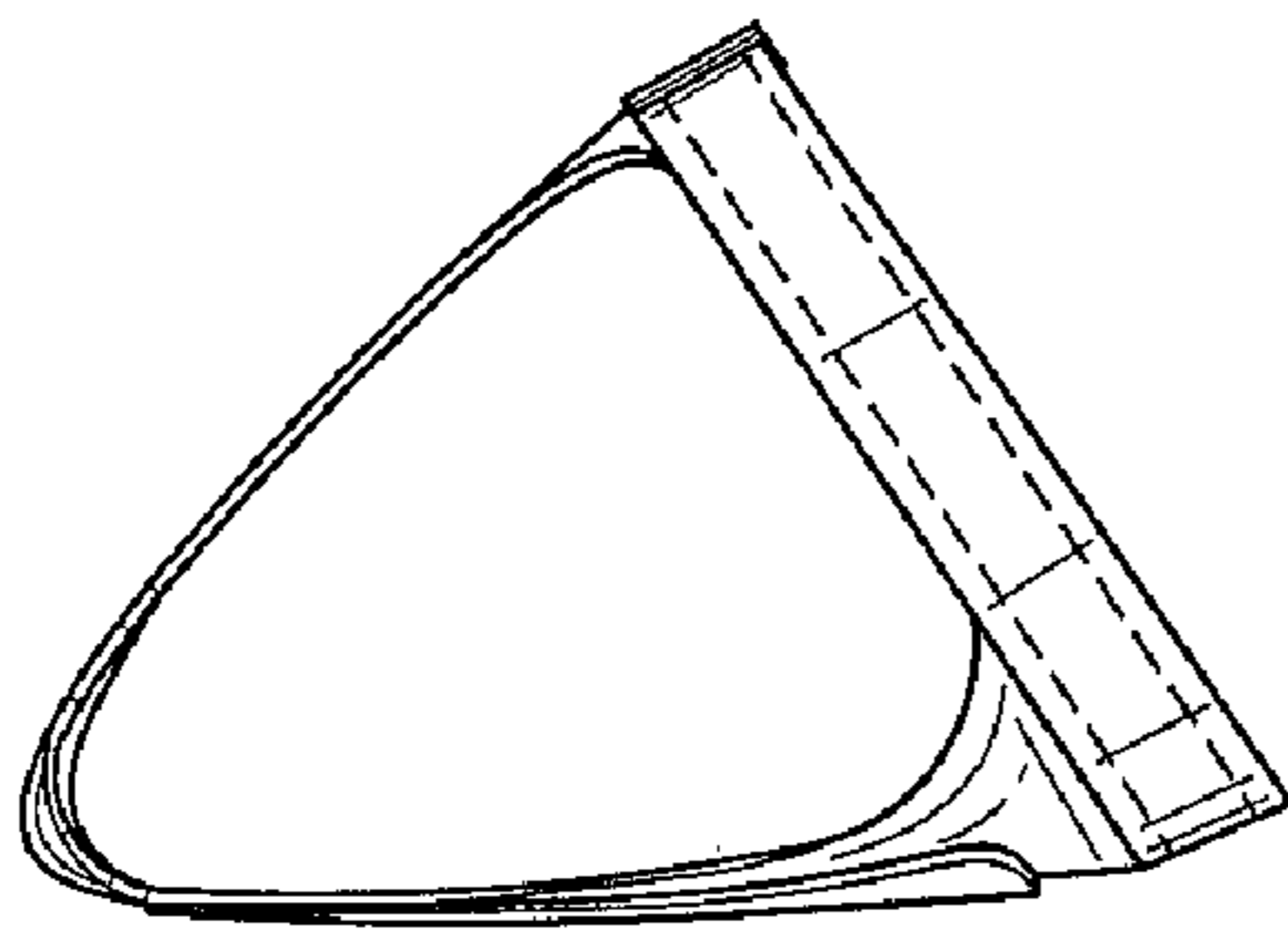


FIG. 5

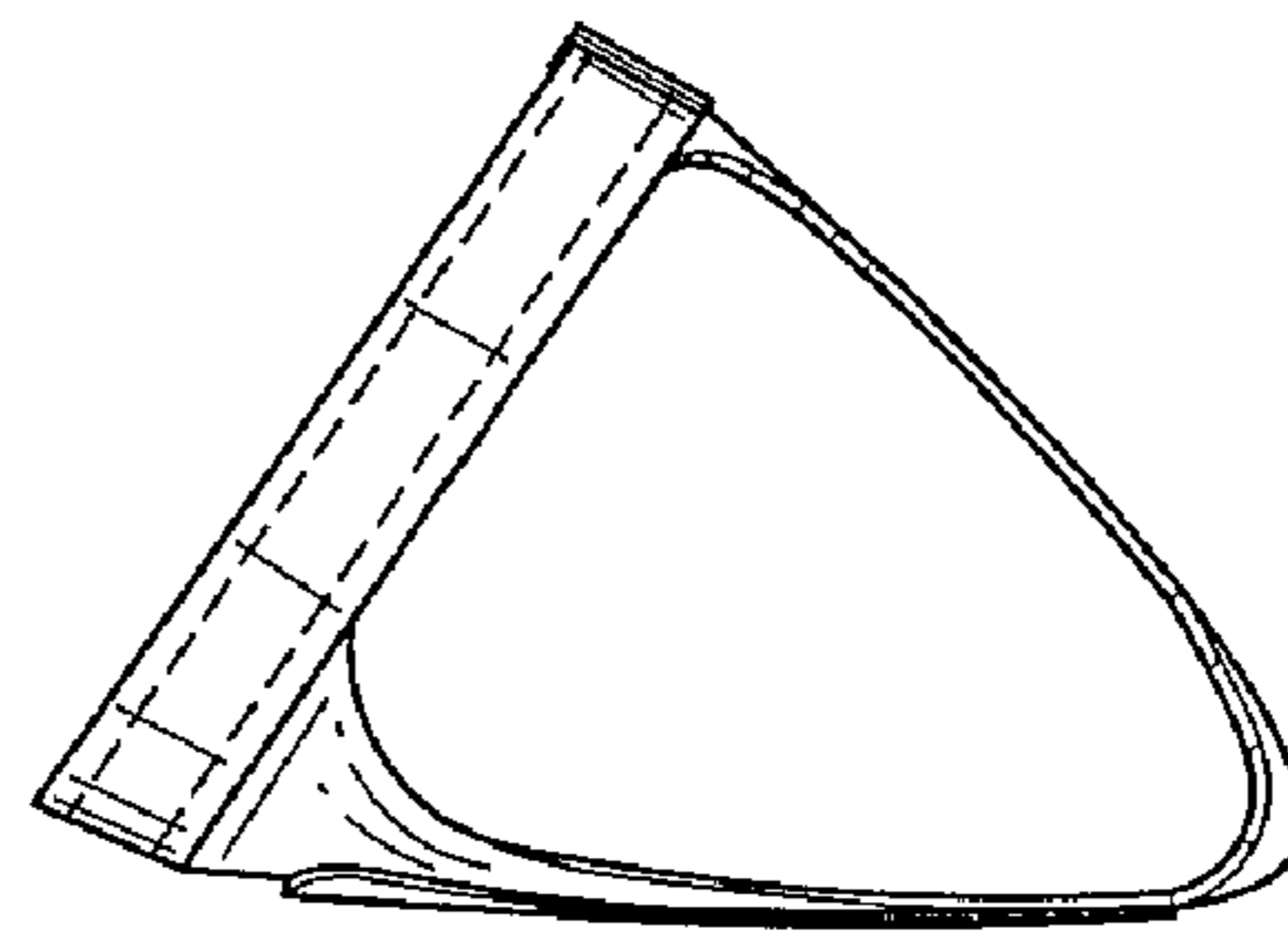


FIG. 6

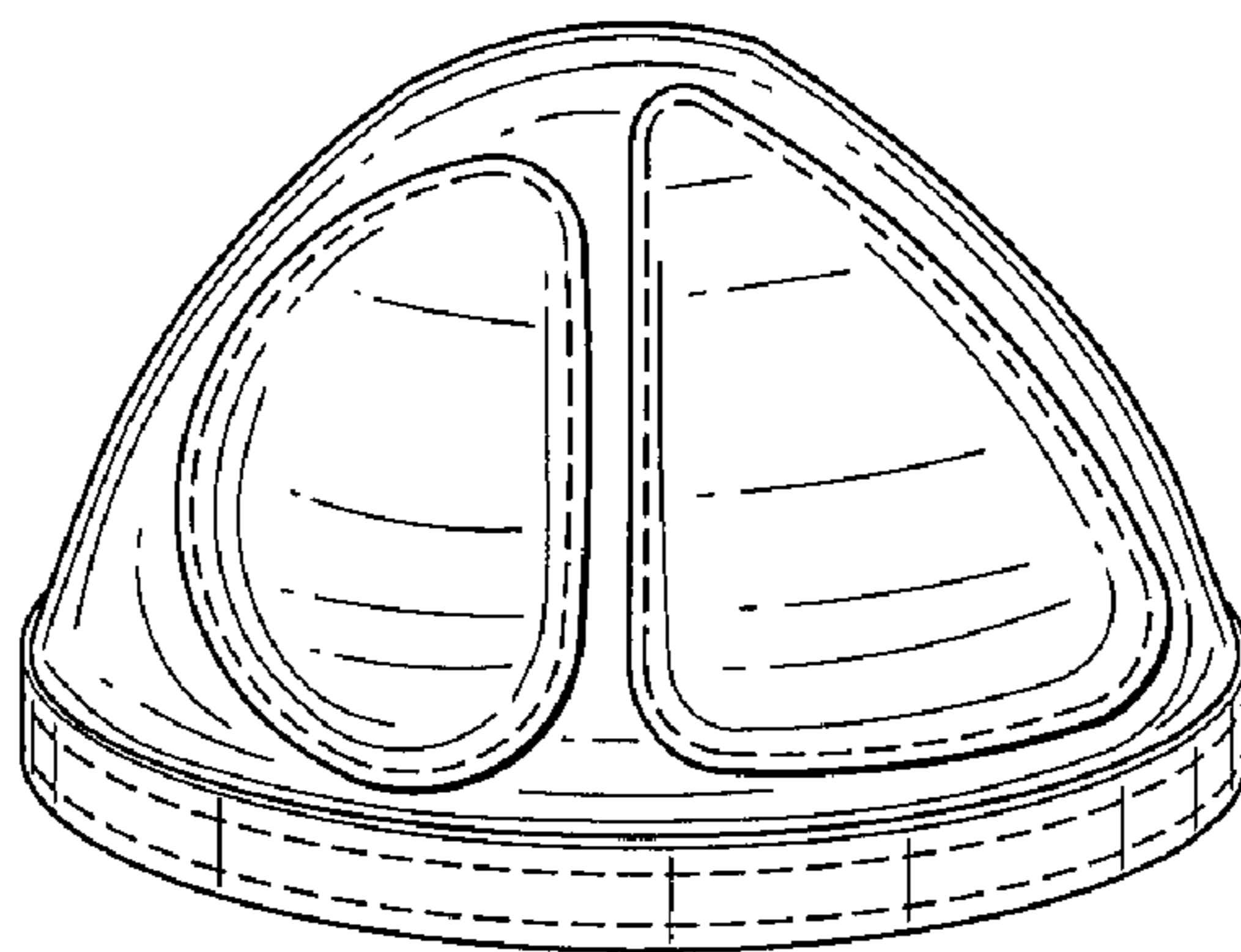


FIG. 7