



US00D634094S

(12) **United States Design Patent**
Benavidez

(10) **Patent No.:** **US D634,094 S**
(45) **Date of Patent:** **** Mar. 8, 2011**

(54) **DECORATIVE MAILBOX POST**

(76) Inventor: **Genovevo V. Benavidez**, West Covina,
CA (US)

(**) Term: **14 Years**

(21) Appl. No.: **29/355,292**

(22) Filed: **Feb. 4, 2010**

(51) **LOC (9) Cl.** **25-03**

(52) **U.S. Cl.** **D99/30; D99/32**

(58) **Field of Classification Search** D99/28-32;
232/17, 19, 38, 24

See application file for complete search history.

(56) **References Cited**

U.S. PATENT DOCUMENTS

D145,832 S	10/1946	Burt	
D287,899 S	1/1987	Lindheimer	
D335,749 S *	5/1993	Brittain	D99/32
D348,761 S *	7/1994	Castelli et al.	D99/32
D377,706 S	1/1997	Perrish	
D409,353 S	5/1999	Browning	

D432,754 S	10/2000	Masciovecchio	
D488,610 S	4/2004	Coleman	
6,772,938 B2	8/2004	Martin et al.	
D511,235 S	11/2005	Skolnick et al.	
7,316,346 B1 *	1/2008	Hartelius et al.	232/38
D616,175 S *	5/2010	Chen et al.	D99/30

* cited by examiner

Primary Examiner — Lisa P Lichtenstein

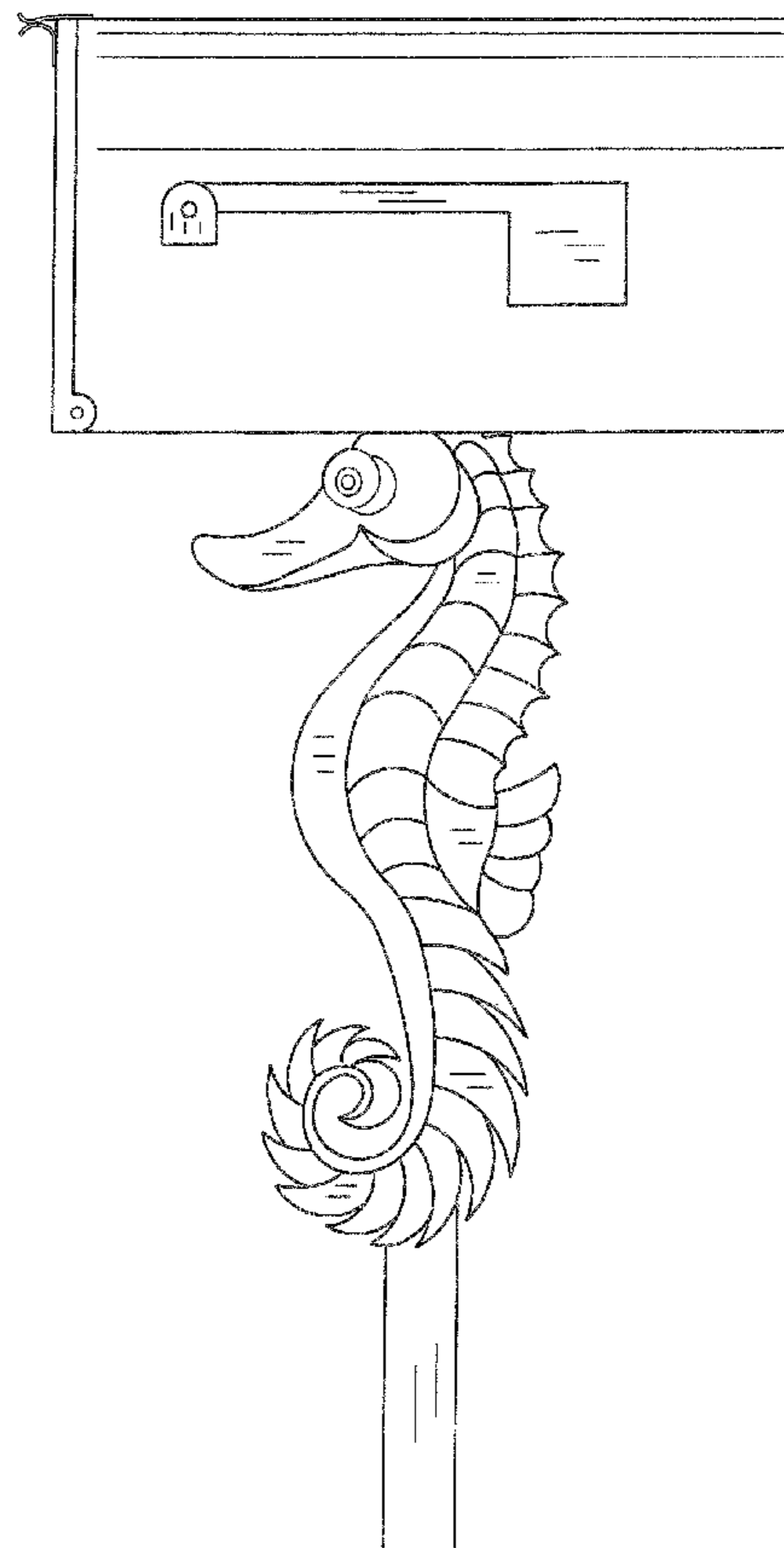
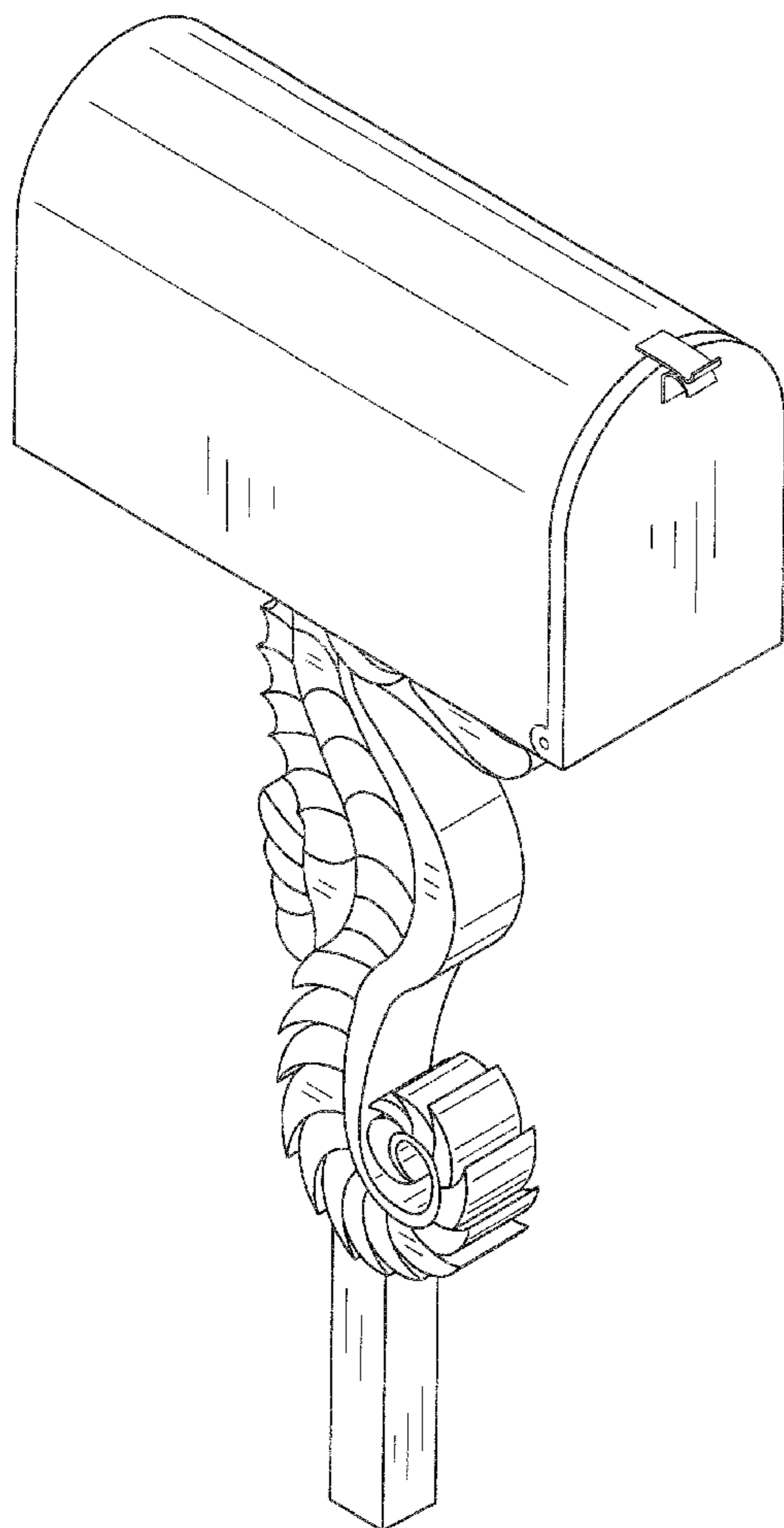
(57) **CLAIM**

The ornamental design for a decorative mailbox post, as shown and described.

DESCRIPTION

FIG. 1 is a perspective view of a decorative mailbox post showing my new design;
FIG. 2 is a side view thereof;
FIG. 3 is an opposite side view thereof;
FIG. 4 is a front view thereof;
FIG. 5 is a back view thereof;
FIG. 6 is a top view thereof; and,
FIG. 7 is a bottom view thereof.

1 Claim, 5 Drawing Sheets



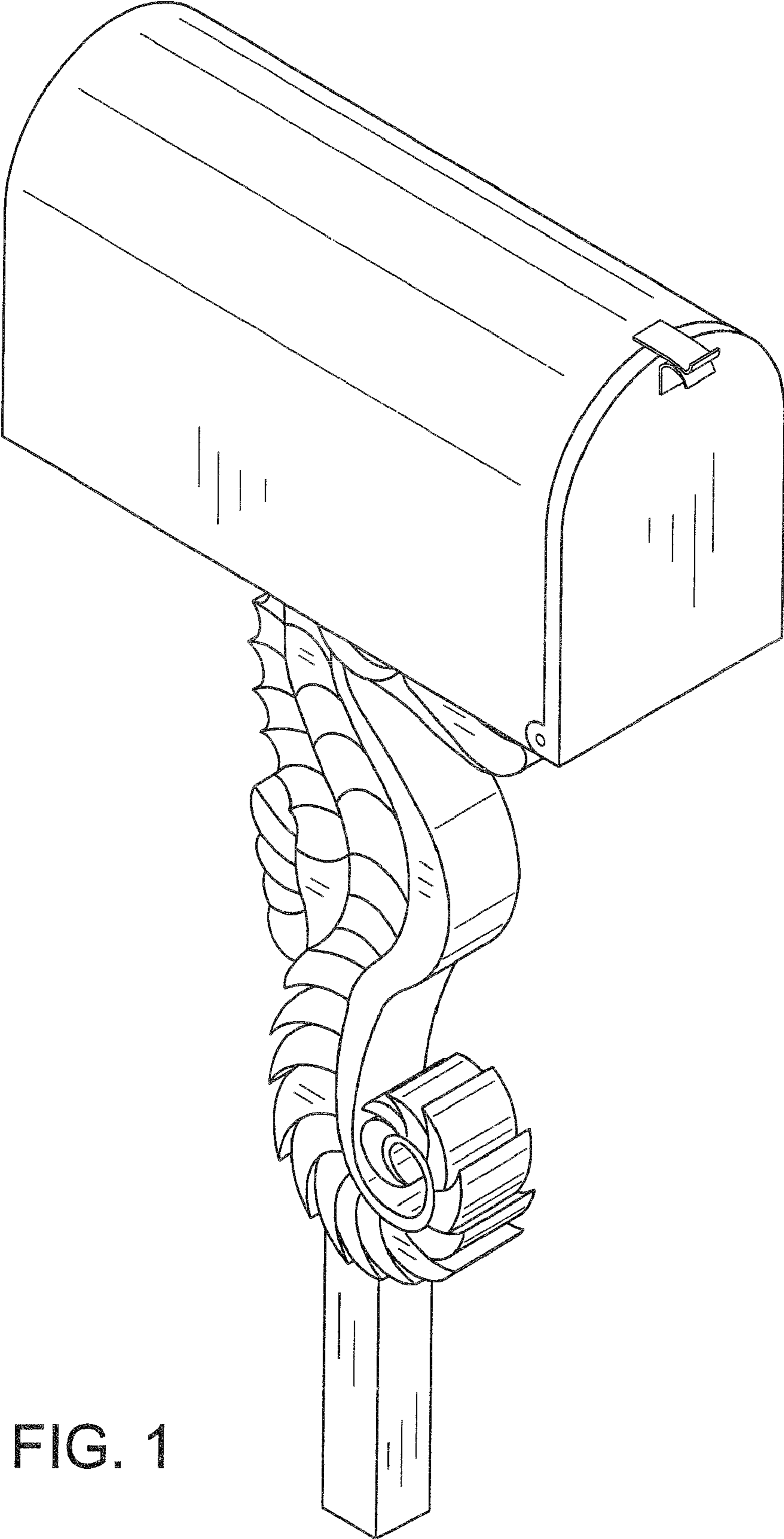


FIG. 1

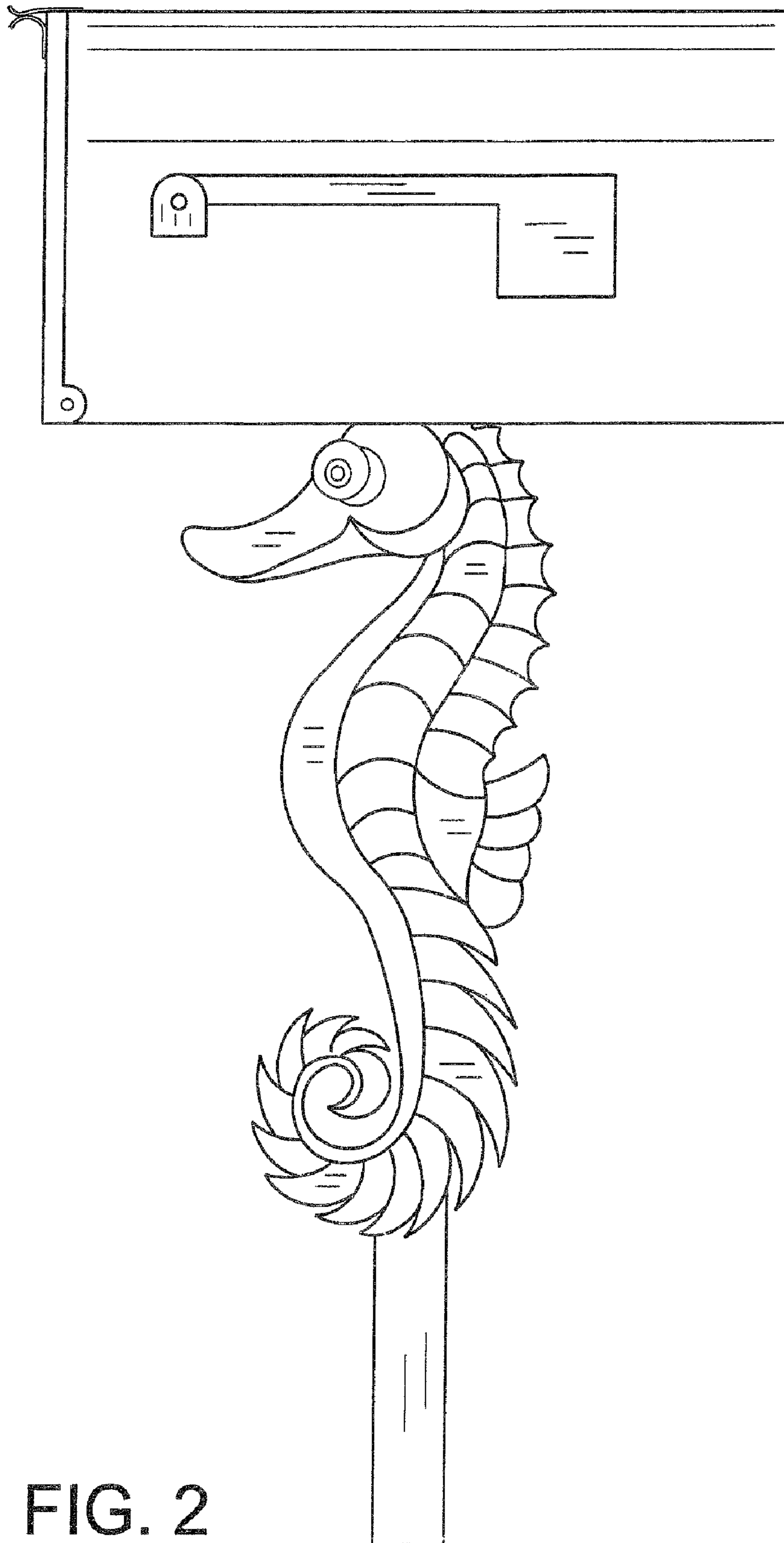


FIG. 2

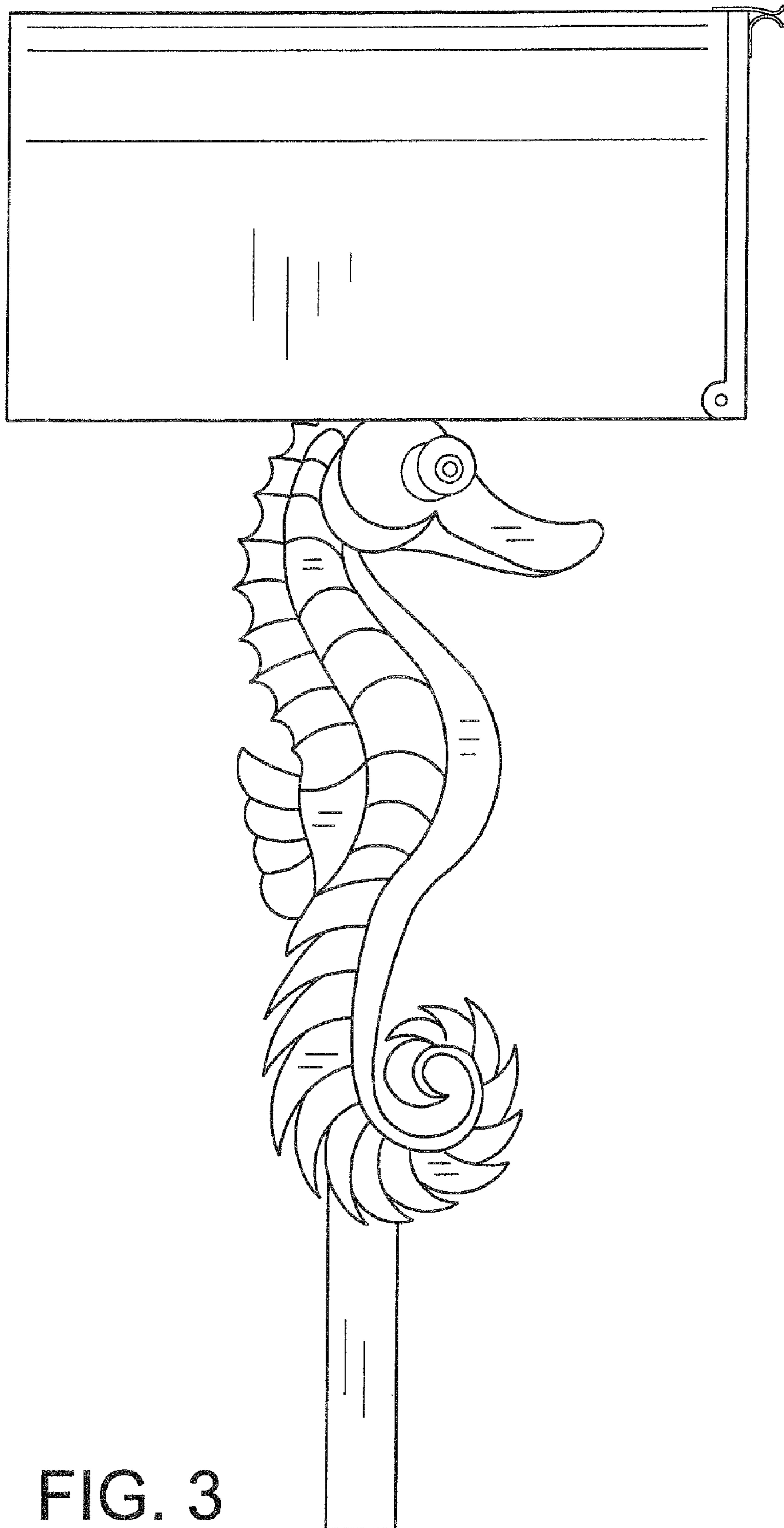


FIG. 3

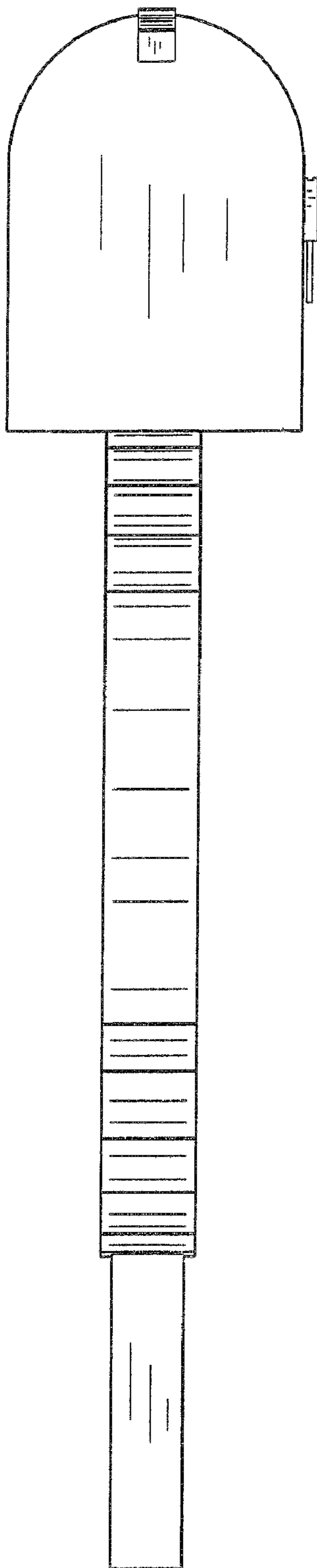


FIG. 4

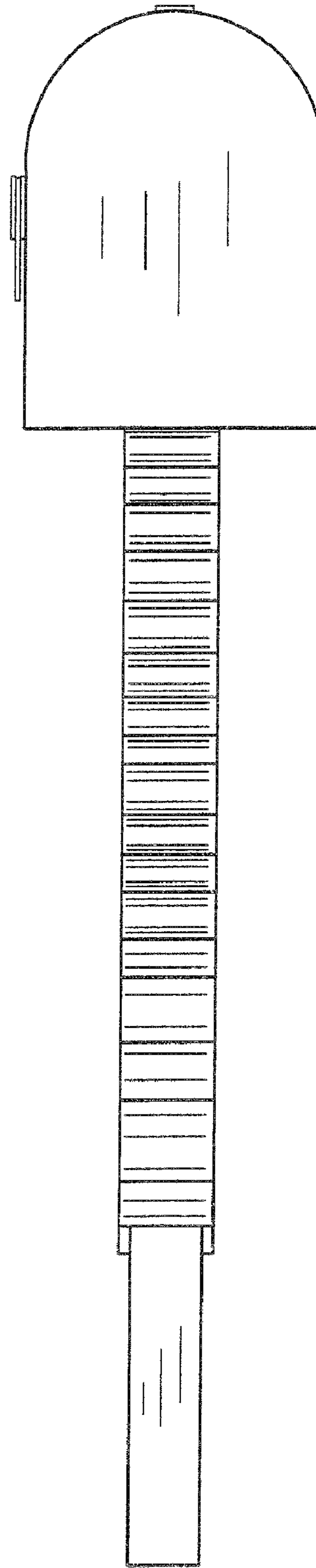


FIG. 5

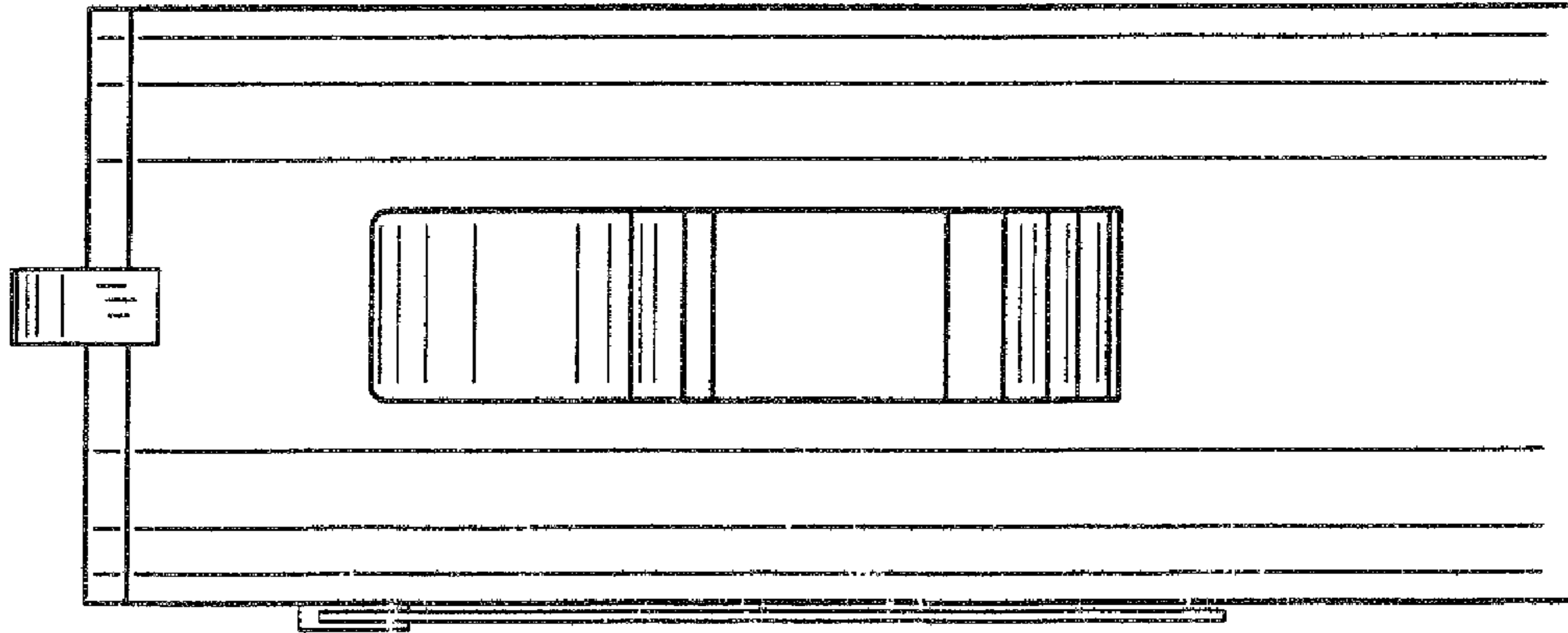


FIG. 6

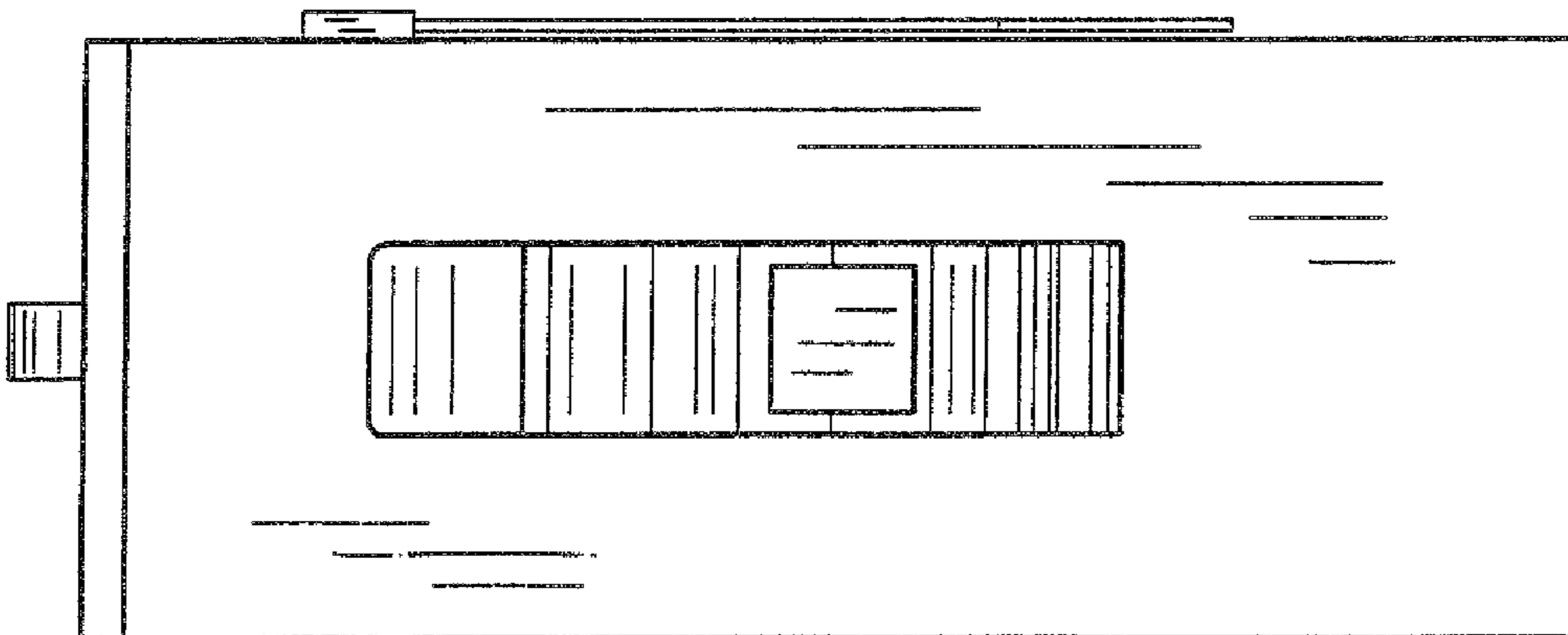


FIG. 7