



US00D634092S

(12) **United States Design Patent**
Coleman, Jr.

(10) **Patent No.:** **US D634,092 S**
(45) **Date of Patent:** **** Mar. 8, 2011**

(54) **FLOORING JACK**

(75) Inventor: **Jerry D. Coleman, Jr.**, Wilmington, NC
(US)

(73) Assignee: **Porta-Nails, Inc.**, Wilmington, NC (US)

(**) Term: **14 Years**

(21) Appl. No.: **29/312,844**

(22) Filed: **Nov. 17, 2008**

Related U.S. Application Data

(62) Division of application No. 11/728,364, filed on Mar. 26, 2007, now Pat. No. 7,451,671.

(51) **LOC (9) Cl.** **12-05**

(52) **U.S. Cl.** **D34/31**

(58) **Field of Classification Search** D34/31,
D34/28; 254/8 R, 2 R, 11, 134, 131, 14,
254/424, 419; 280/763.1, 764.1

See application file for complete search history.

(56) **References Cited**

U.S. PATENT DOCUMENTS

5,181,694	A *	1/1993	Collins	254/133 R
D364,259	S *	11/1995	Garceau	D34/31
5,501,428	A *	3/1996	Garceau	254/424
7,387,293	B2 *	6/2008	Boucher	254/131
D592,822	S *	5/2009	Boucher et al.	D34/31
D595,472	S *	6/2009	Kimura	D34/31
2001/0029715	A1 *	10/2001	Bradley et al.	52/344
2008/0191180	A1 *	8/2008	Gaunt	254/11

* cited by examiner

Primary Examiner — Cynthia E Ramirez

(74) *Attorney, Agent, or Firm* — Ralph H. Dougherty

(57) **CLAIM**

The ornamental design for a flooring jack, as shown and described.

DESCRIPTION

FIG. 1 is an isometric view of the new flooring jack design having a removable shoe, with the shoe in a removed position; FIG. 2 is an isometric view of the flooring jack with the removable shoe installed thereon; and, FIG. 3 is a right side isometric view thereof.

1 Claim, 3 Drawing Sheets

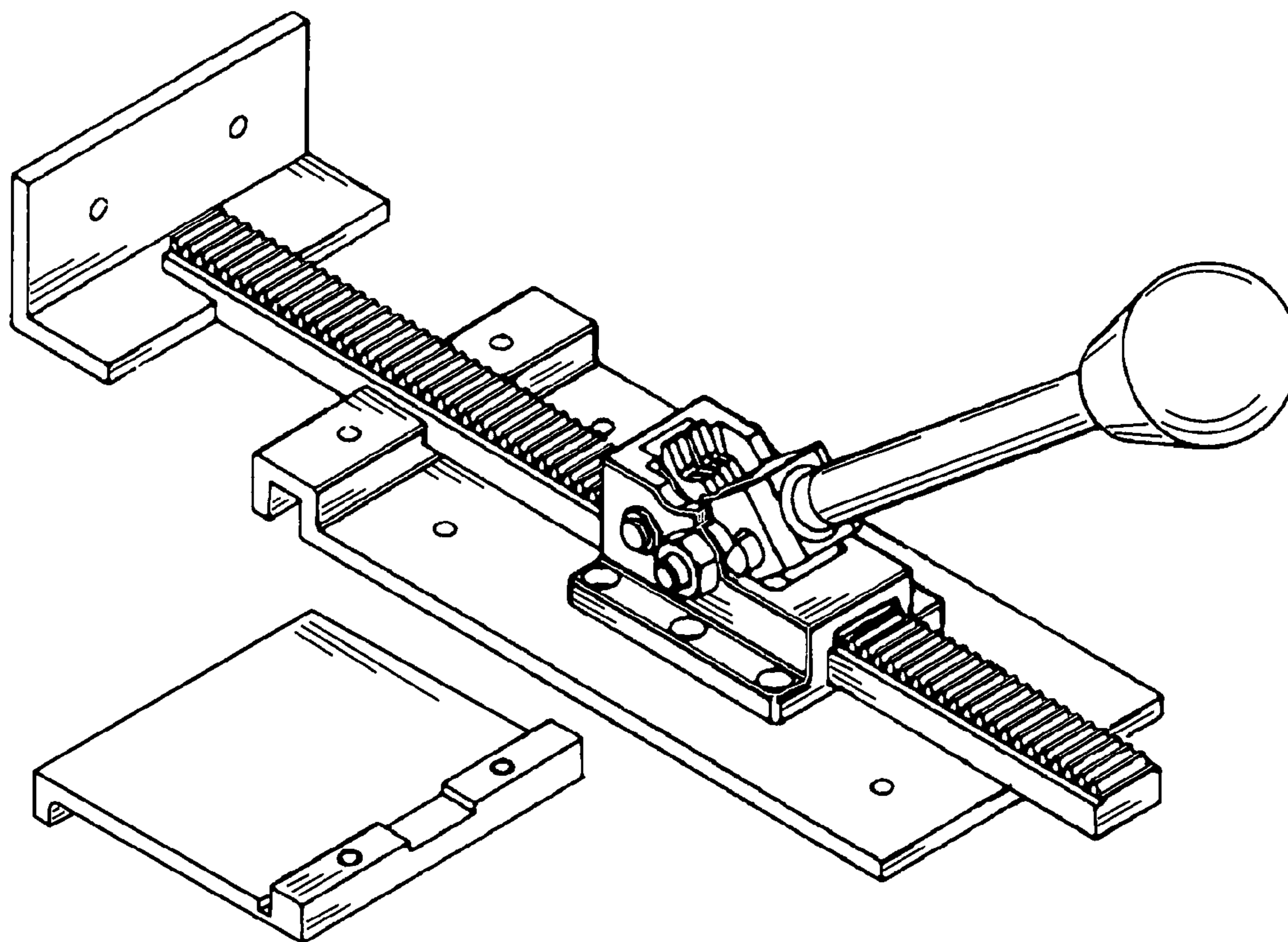


Fig. 1

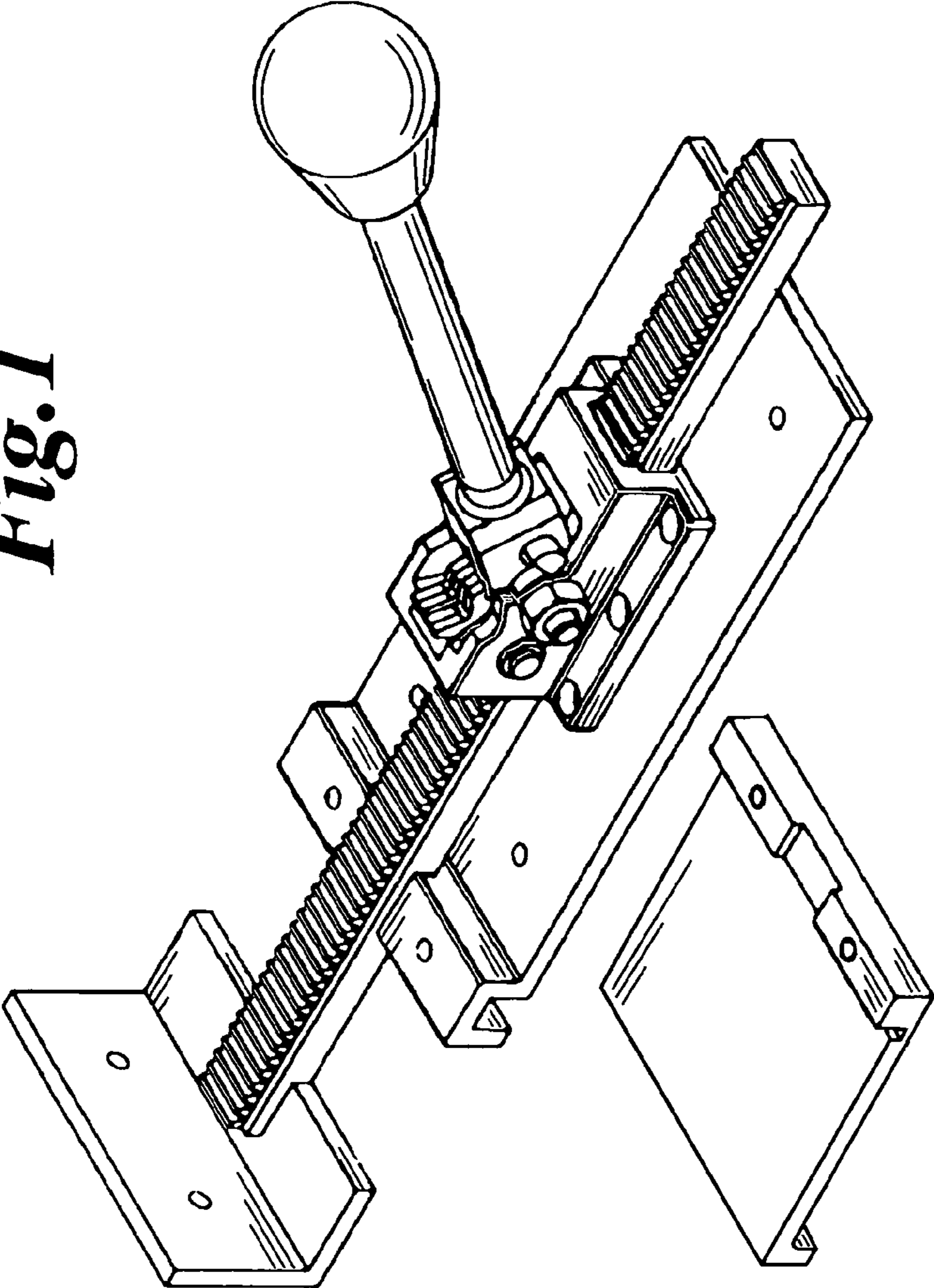


Fig. 2

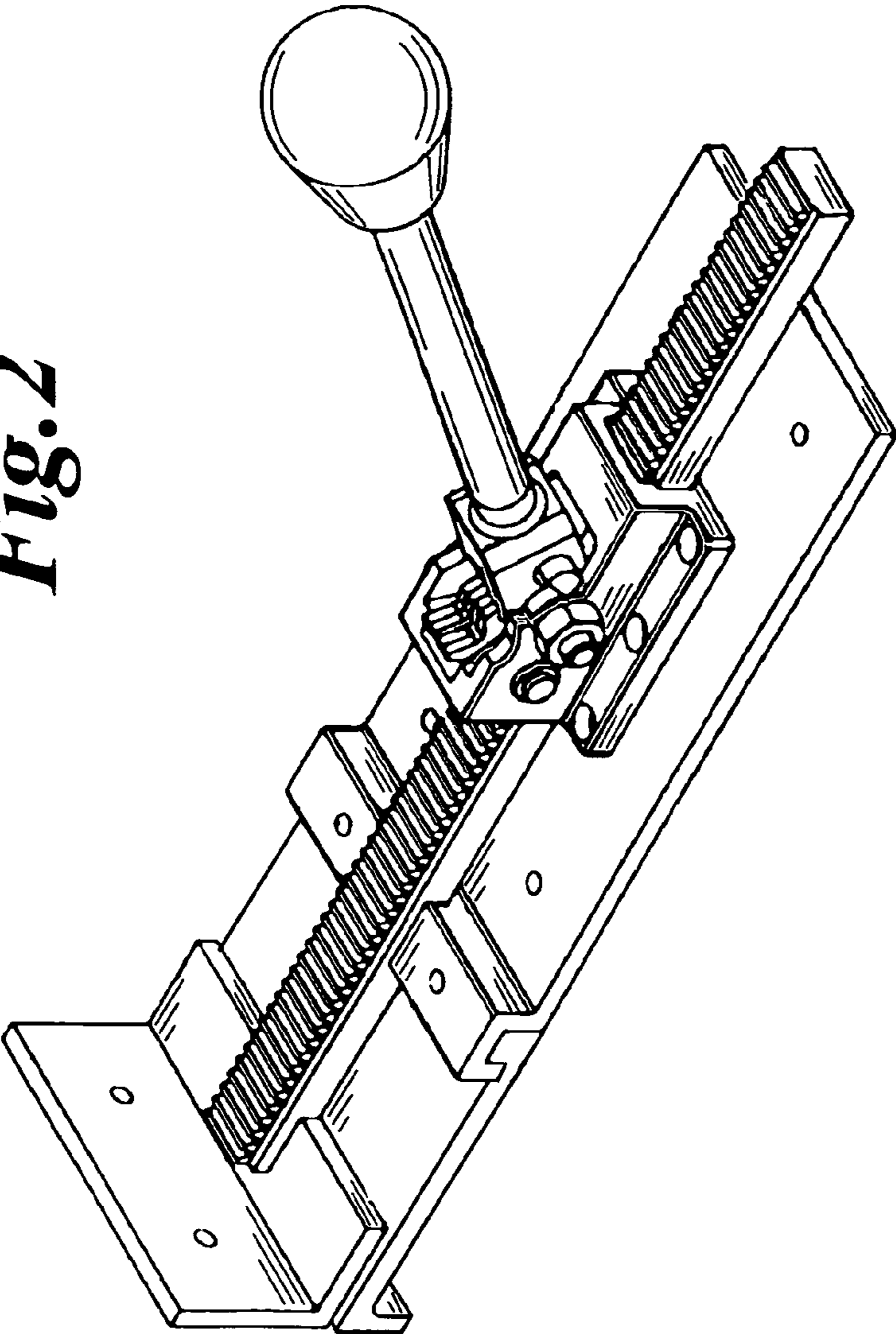


Fig. 3

