



US00D634089S

(12) **United States Design Patent**
Wisniewski

(10) **Patent No.:** **US D634,089 S**
(45) **Date of Patent:** **** Mar. 8, 2011**

(54) **DISH RACK**

(75) Inventor: **Alan Wisniewski**, Toronto (CA)

(73) Assignee: **Umbra LLC**, Buffalo, NY (US)

(**) Term: **14 Years**

(21) Appl. No.: **29/352,490**

(22) Filed: **Dec. 22, 2009**

(51) **LOC (9) Cl.** **07-05**

(52) **U.S. Cl.** **D32/55**

(58) **Field of Classification Search** D32/55,
D32/276, 3; D6/510, 525; D30/133; 211/41.5,
211/41.4, 41.3, 41.8; 361/679.4; 312/311,
312/333, 334.4

See application file for complete search history.

(56) **References Cited**

U.S. PATENT DOCUMENTS

1,675,665	A *	7/1928	Ritz Woller	280/169
D158,838	S *	6/1950	Caldwell	D6/583
D193,835	S *	10/1962	Kraines	D32/57
3,387,315	A *	6/1968	Stata	15/215
D271,339	S *	11/1983	Lee	D32/55
D310,460	S *	9/1990	Vergnano	D6/583
D347,718	S *	6/1994	Craft et al.	D32/57
D353,302	S *	12/1994	Fish	D7/504
D358,572	S *	5/1995	Thundercloud	D12/203
D418,721	S *	1/2000	Goodman et al.	D7/624.1
D436,566	S *	1/2001	Iacovelli et al.	D12/203
D446,369	S *	8/2001	Smith et al.	D32/55
D486,360	S *	2/2004	Sellers	D8/1
D487,860	S *	3/2004	Turner	D7/504

D508,368	S *	8/2005	Lion et al.	D7/388
D520,699	S *	5/2006	Yang et al.	D32/55
D555,311	S *	11/2007	Yang et al.	D32/55
D559,491	S *	1/2008	Yang et al.	D32/55
D581,619	S *	11/2008	Yang et al.	D32/55
D586,061	S *	2/2009	Curtin	D32/55
D591,013	S *	4/2009	Mose	D30/199
D599,068	S *	8/2009	Yang et al.	D32/55
D599,069	S *	8/2009	Curtin	D32/55
D610,405	S *	2/2010	McConnell	D7/409

* cited by examiner

Primary Examiner—Austin Murphy

(74) *Attorney, Agent, or Firm*—Simpson & Simpson, PLLC

(57) **CLAIM**

The ornamental design for a dish rack, as shown and described.

DESCRIPTION

FIG. 1 is a perspective view of the present invention dish rack;

FIG. 2 is a right side elevational view of the dish rack;

FIG. 3 is a left side elevational view of the dish rack;

FIG. 4 is a top plan view of the dish rack

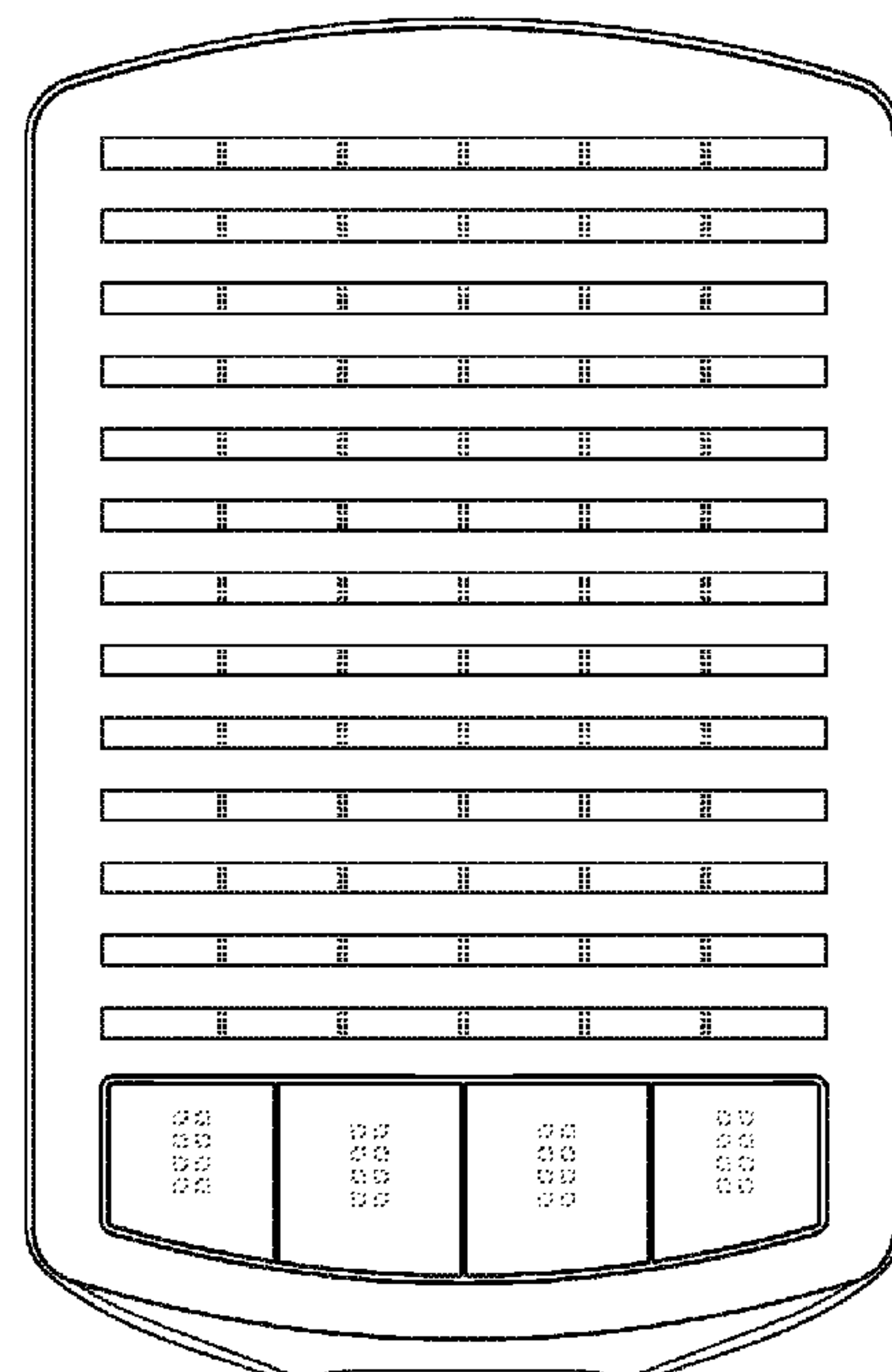
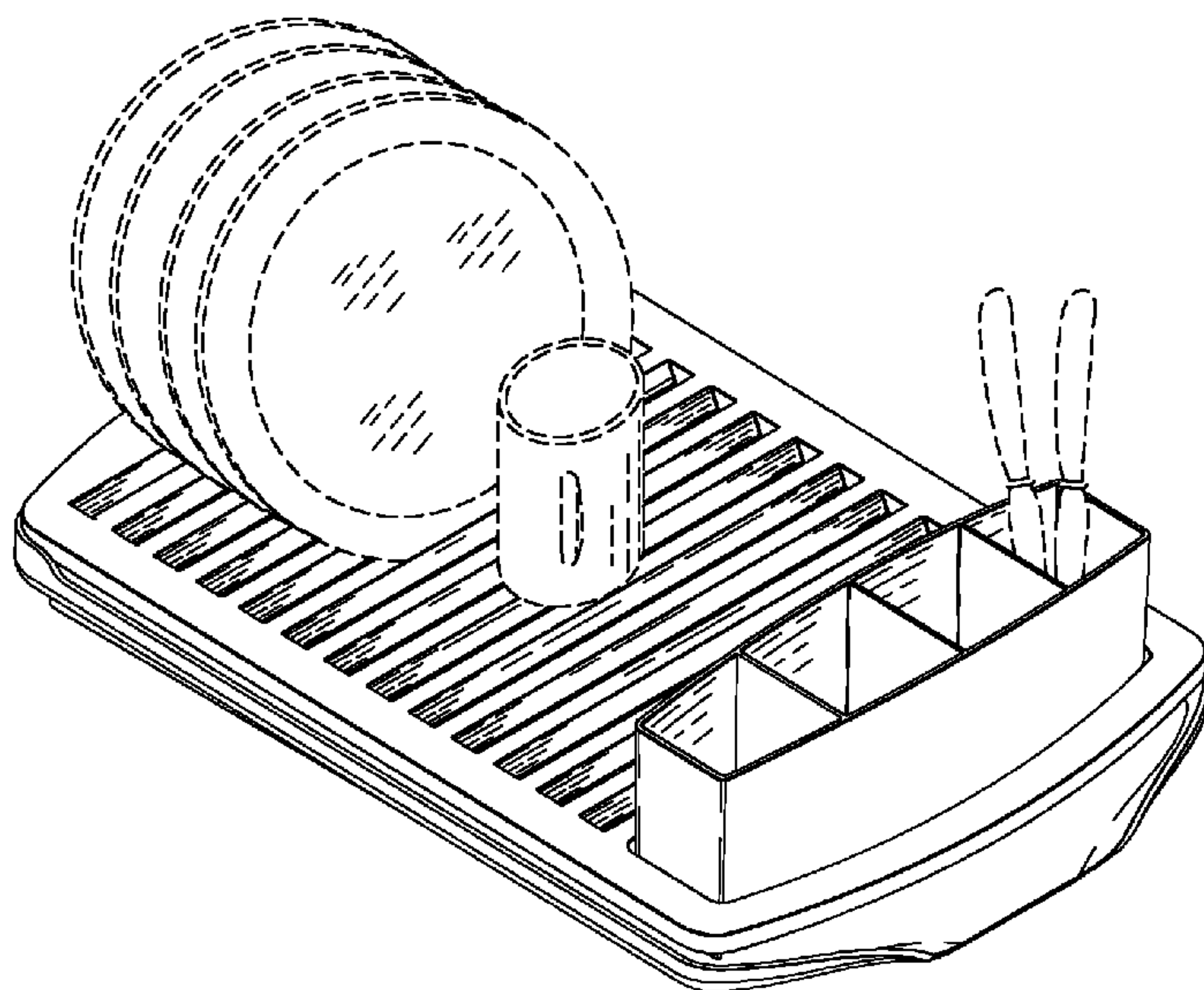
FIG. 5 is a bottom plan view of the dish rack

FIG. 6 is a front elevational view of the dish rack; and,

FIG. 7 is a rear elevational view of the dish rack.

It should be appreciated that the broken line illustrations of dishes and eating utensils shown in FIG. 1 and portions of the dish rack shown in FIG. 4 are for illustrative purposes only and form no part of the claimed invention.

1 Claim, 5 Drawing Sheets



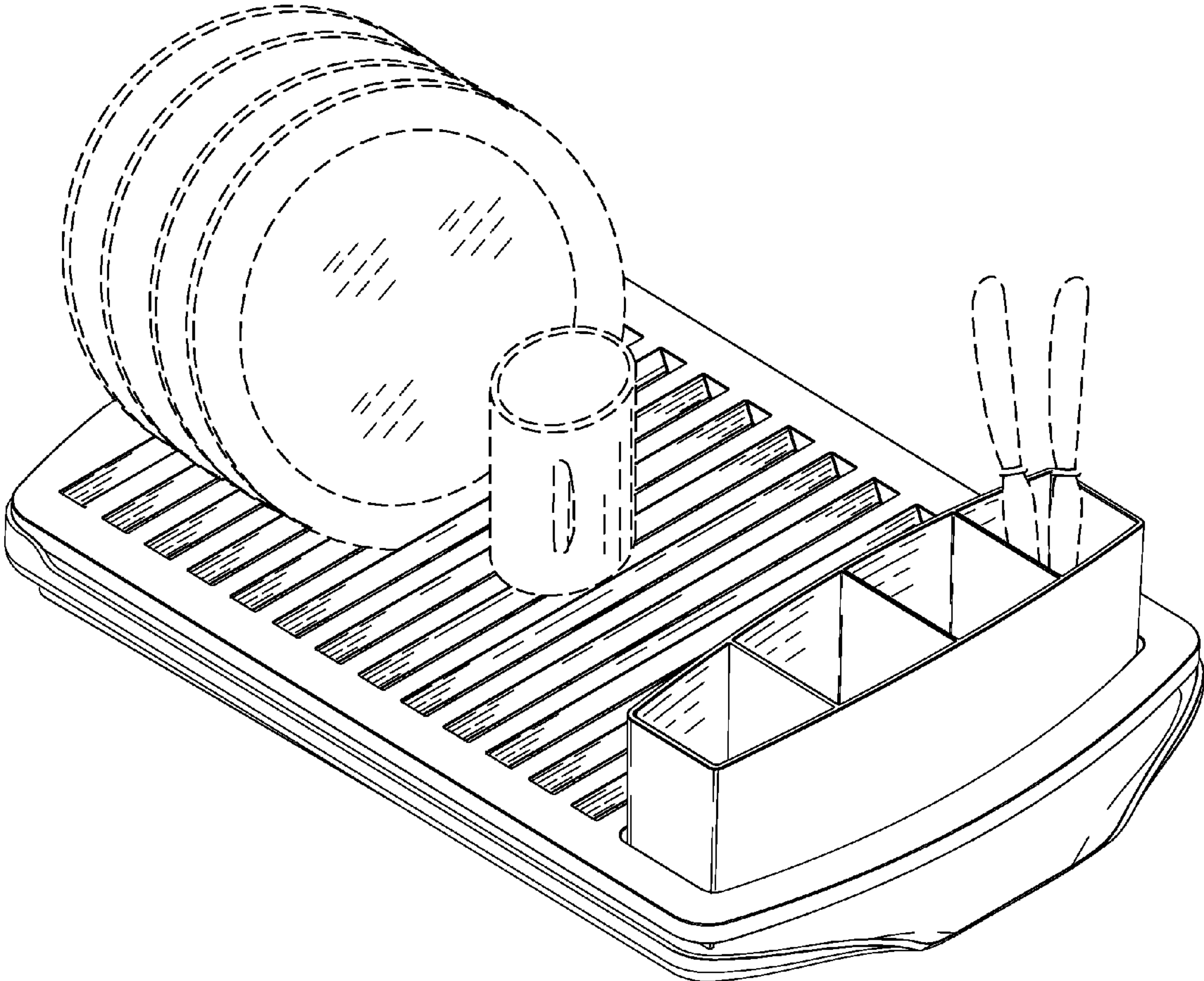


Fig. 1



Fig. 2



Fig. 3

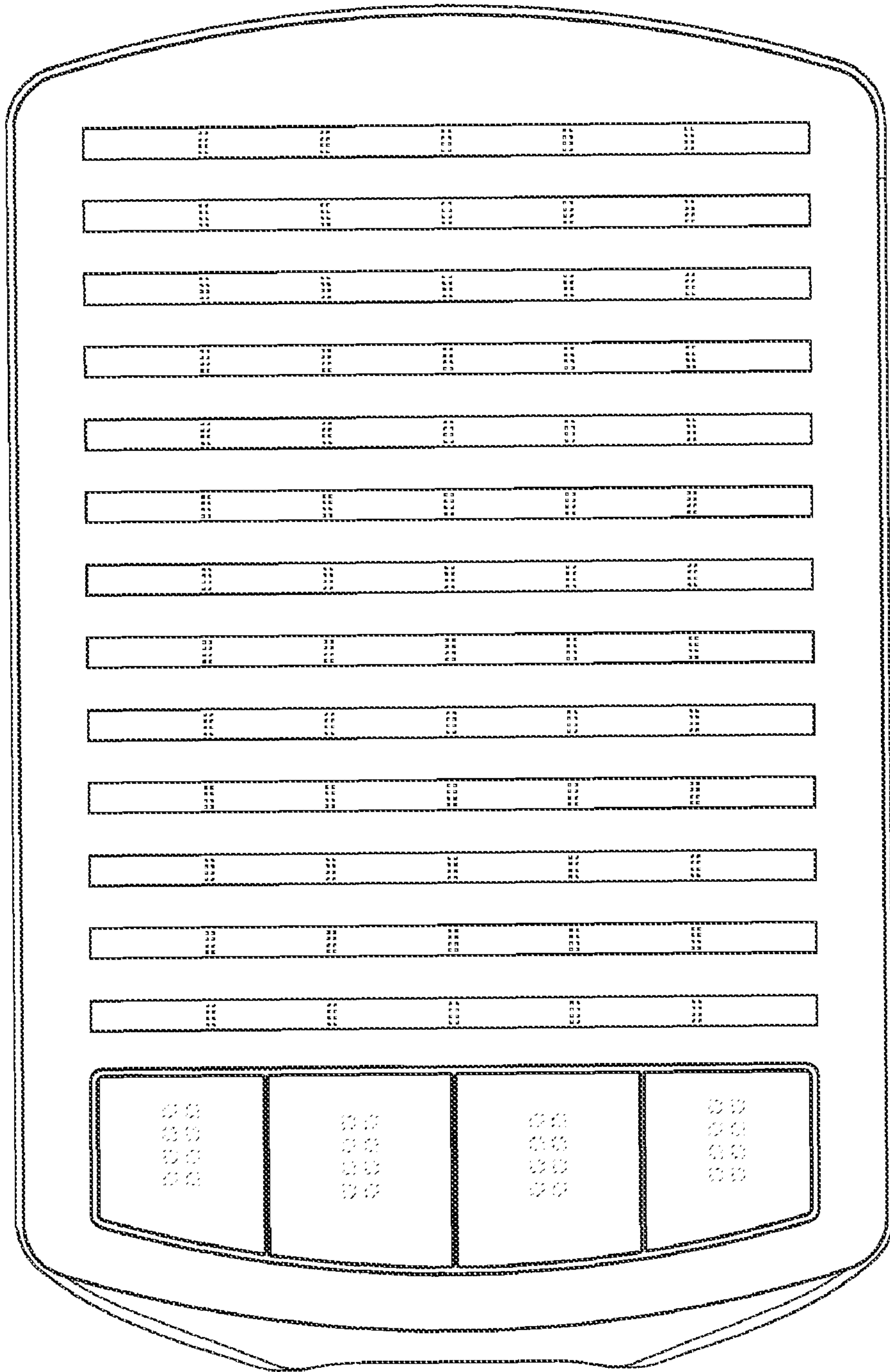


Fig. 4

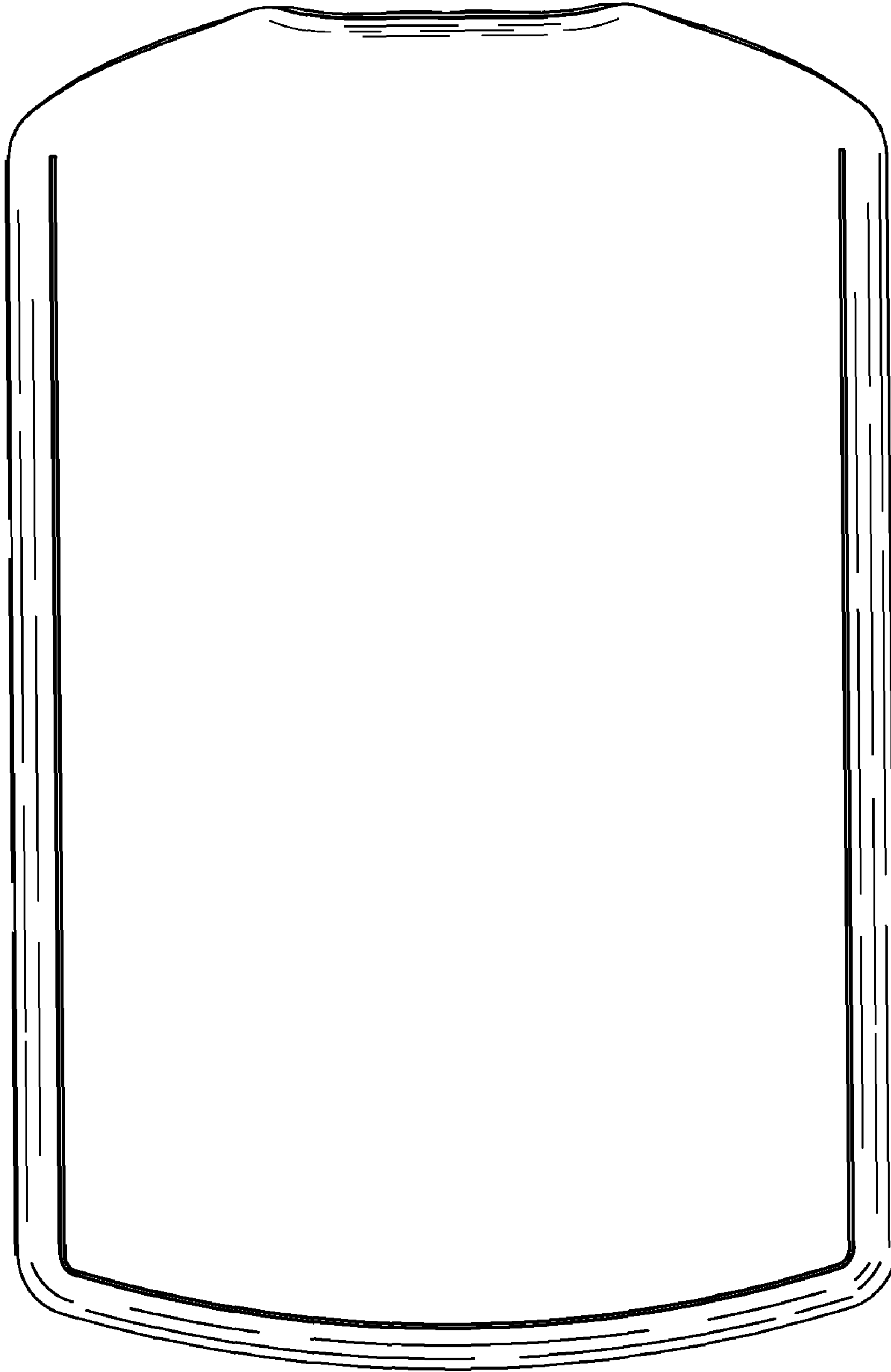


Fig. 5

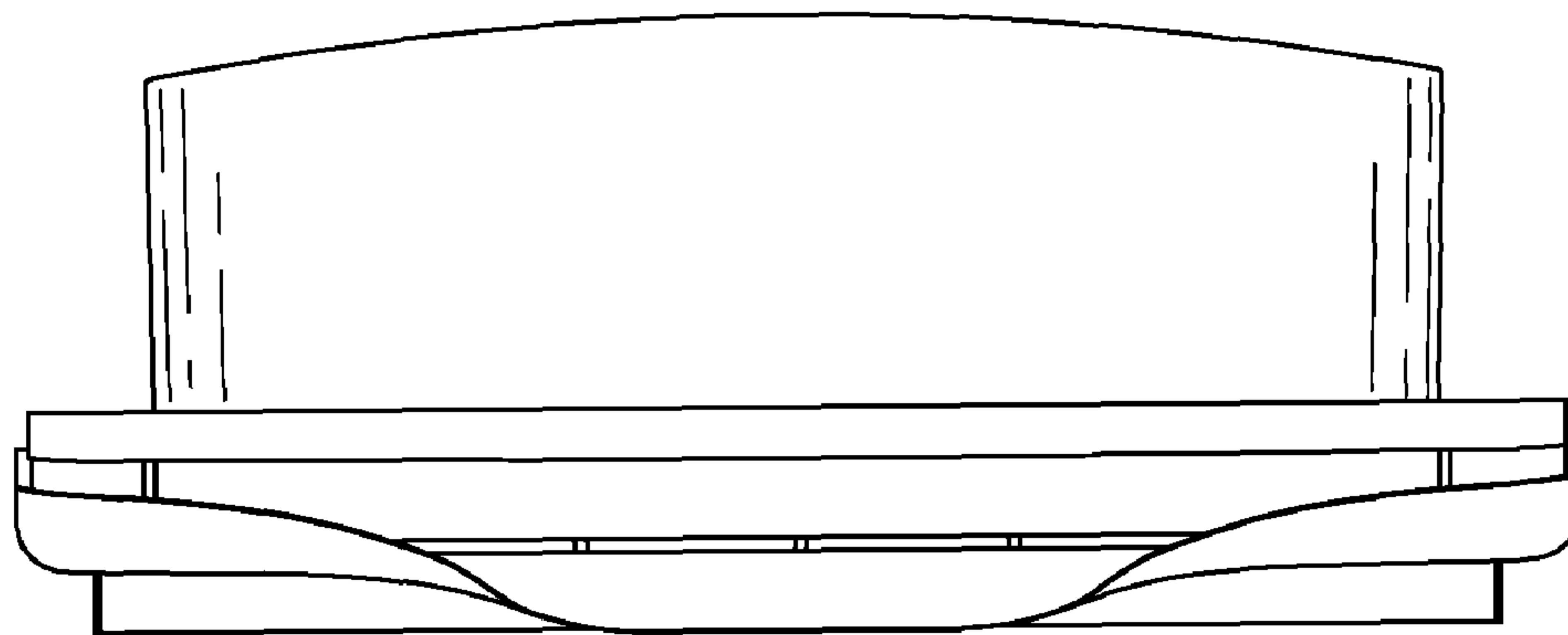


Fig. 6

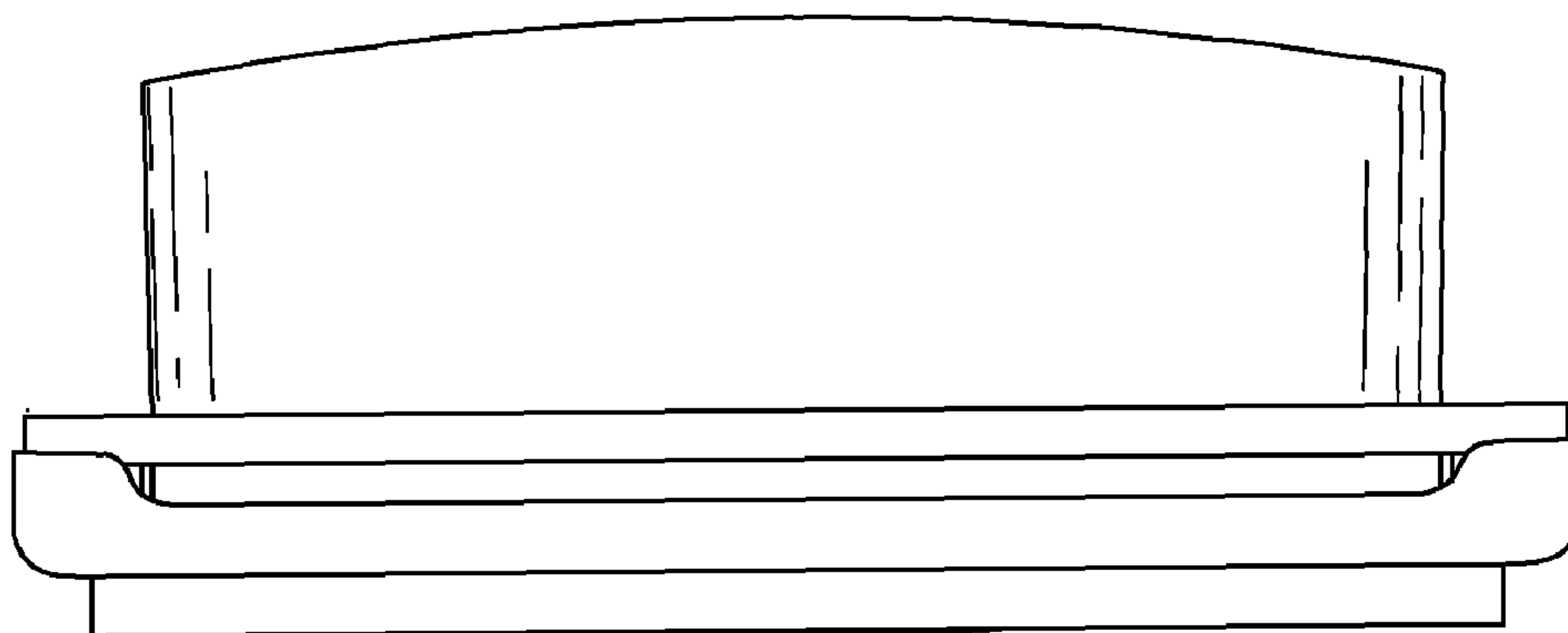


Fig. 7