



(12) **United States Design Patent**
Lin

(10) **Patent No.:** **US D634,085 S**
(45) **Date of Patent:** **** Mar. 8, 2011**

(54) **GUIDING TUBE FOR INTERCONNECTING FINE DUST FILTER TO PRELIMINARY DUST COLLECTING DEVICE IN WOODWORKING MACHINE**

(75) Inventor: **Chih-Peng Lin**, Taichung (TW)

(73) Assignee: **Meta International Co., Ltd.**, Taichung (TW)

(**) Term: **14 Years**

(21) Appl. No.: **29/352,863**

(22) Filed: **Dec. 29, 2009**

(51) **LOC (9) Cl.** **15-05**

(52) **U.S. Cl.** **D32/31**

(58) **Field of Classification Search** D32/1, D32/21, 31, 25, 23-24; 55/356, 315, 337, 55/346, 472, 343, 429, 428, DIG. 3, 459.1, 55/345, 336, 342; 95/273; D15/138, 141; 451/453, 456, 451; 15/347; D23/393, 394, D23/391, 386, 387; 285/7, 424, 179, 134.1, 285/189; 454/306

See application file for complete search history.

(56) **References Cited**

U.S. PATENT DOCUMENTS

D268,282 S *	3/1983	Wichmann et al.	D23/393
D297,158 S *	8/1988	Marton et al.	D23/387
5,487,766 A *	1/1996	Vannier	55/356
D376,844 S *	12/1996	Hester et al.	D23/393
D495,047 S *	8/2004	Gilbert	D23/387
6,871,879 B2 *	3/2005	Gan	285/189
D533,694 S *	12/2006	Cheng	D32/21
7,247,180 B1 *	7/2007	Hill	55/315

D556,315 S *	11/2007	Jackson et al.	D23/393
2004/0187449 A1 *	9/2004	Witter	55/337
2008/0191470 A1 *	8/2008	Esser	285/179
2009/0026761 A1 *	1/2009	McMillan	285/179
2010/0257826 A1 *	10/2010	Lin	55/337

* cited by examiner

Primary Examiner—Ruth McInroy

(74) *Attorney, Agent, or Firm*—Alan Kamrath; Kamrath & Associates PA

(57) **CLAIM**

The ornamental design for guiding tube for interconnecting fine dust filter to preliminary dust collecting device in wood-working machine, as shown and described.

DESCRIPTION

FIG. 1 is a perspective view of a guiding tube for interconnecting fine dust filter to preliminary dust collecting device in wood-working machine showing my new design;

FIG. 2 is a front view thereof;

FIG. 3 is a rear view thereof;

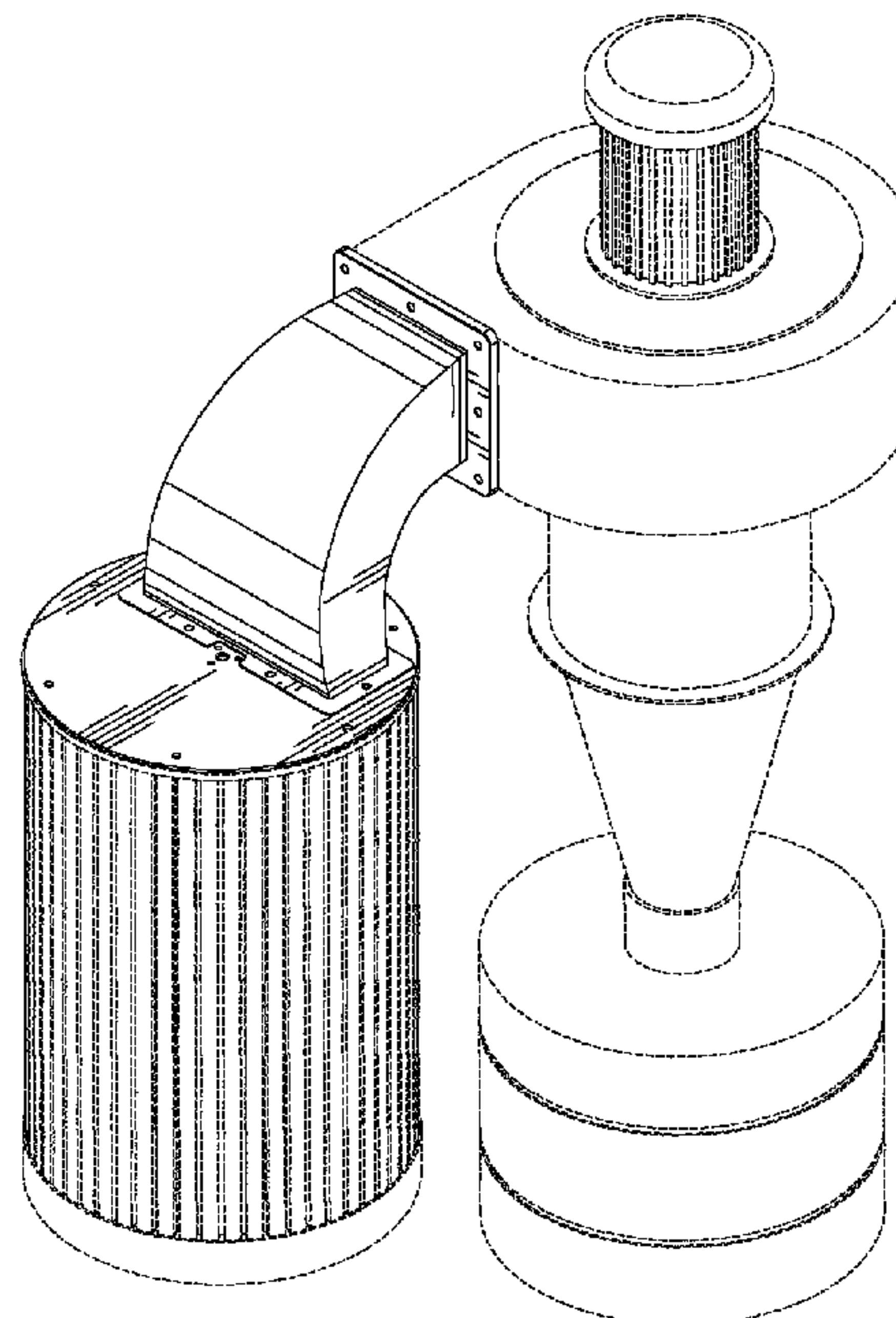
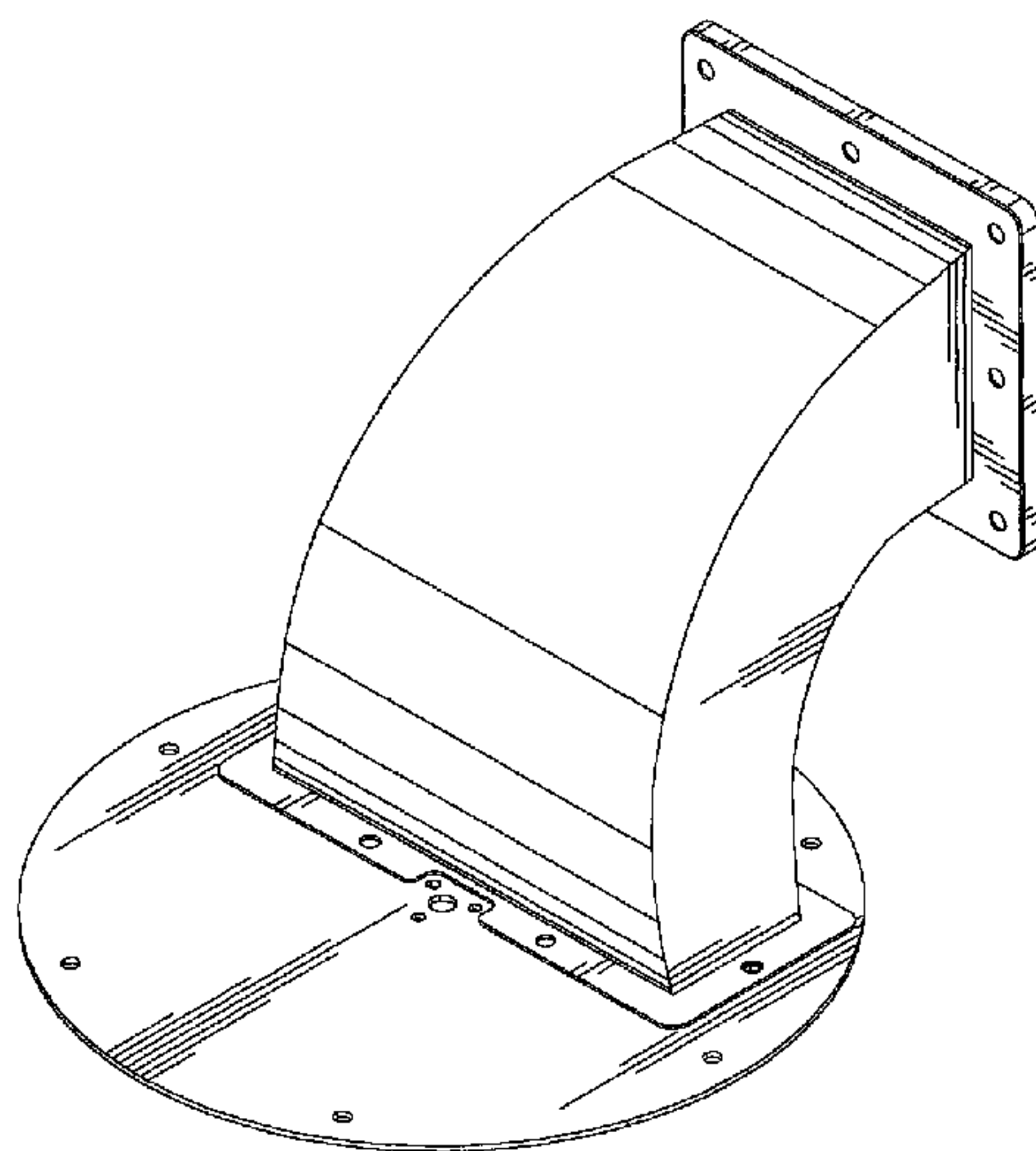
FIG. 4 is a left view thereof; the opposite side being a mirror image of the shown;

FIG. 5 is a top view thereof;

FIG. 6 is a bottom view thereof; and,

FIG. 7 is the perspective view embodying the utilization of guiding tube for interconnecting fine dust filter to preliminary dust collecting device in wood-working machine in which the broken line is for illustrative purposes only and forms no part of the claimed design.

1 Claim, 7 Drawing Sheets



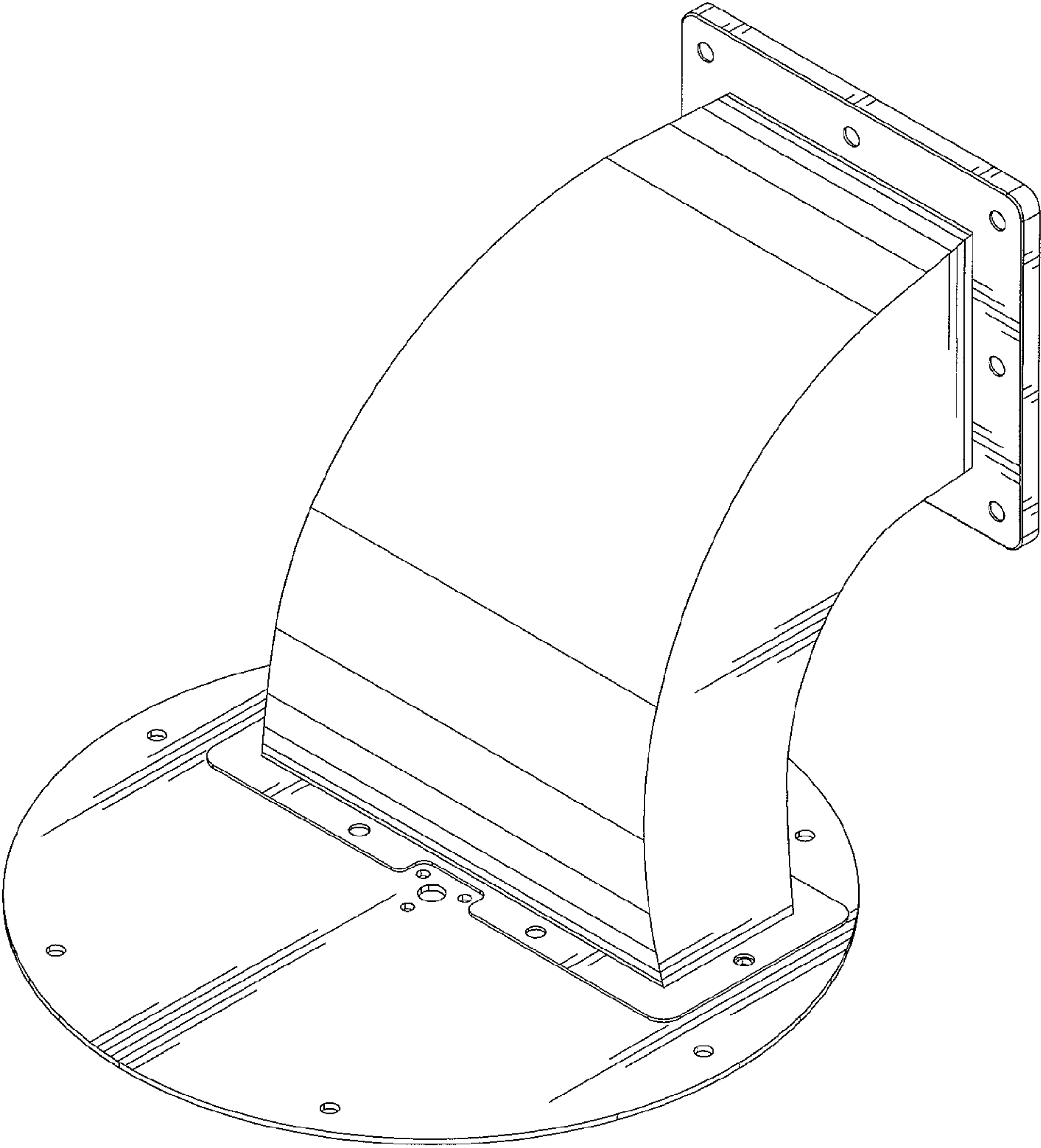


FIG . 1

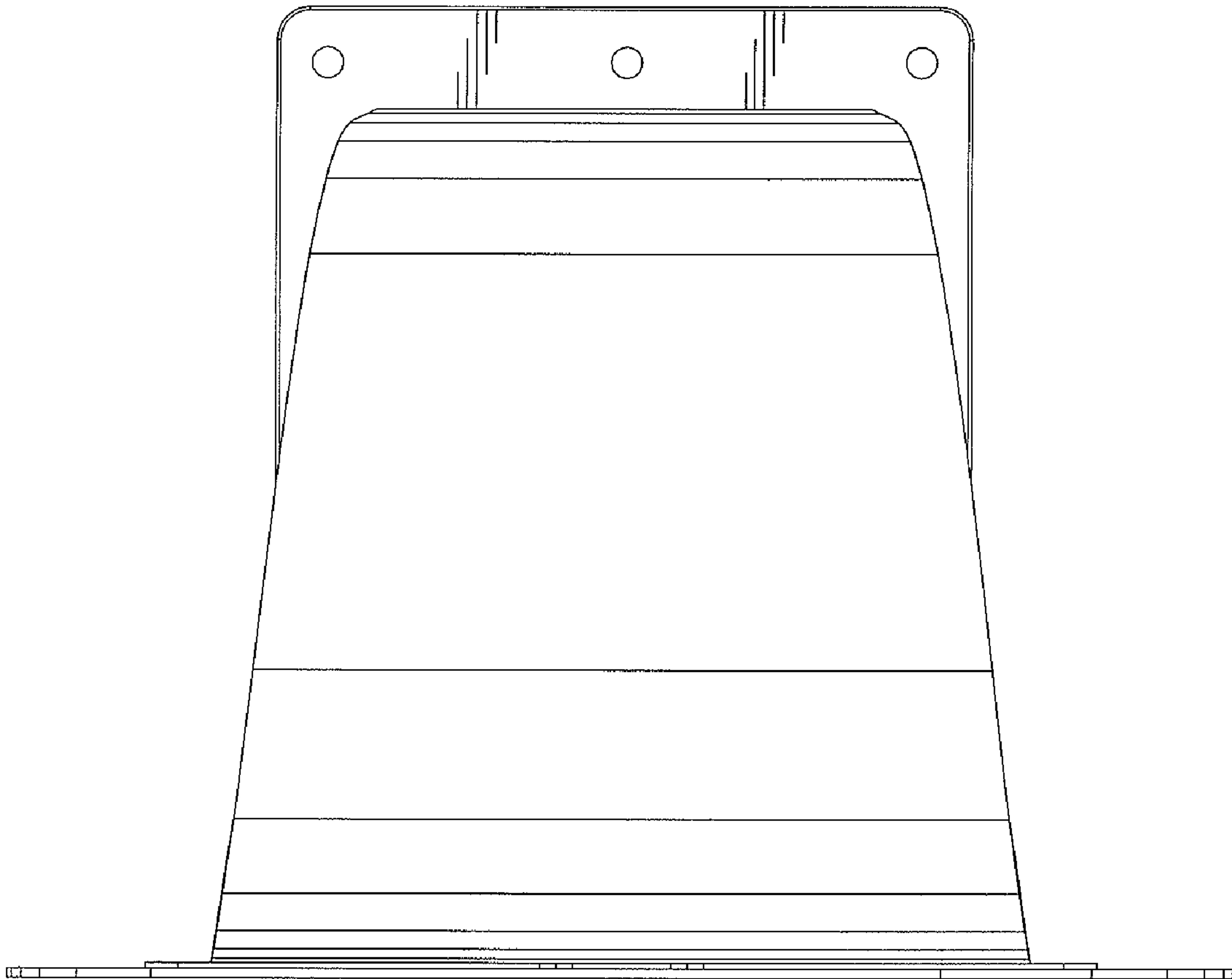


FIG . 2

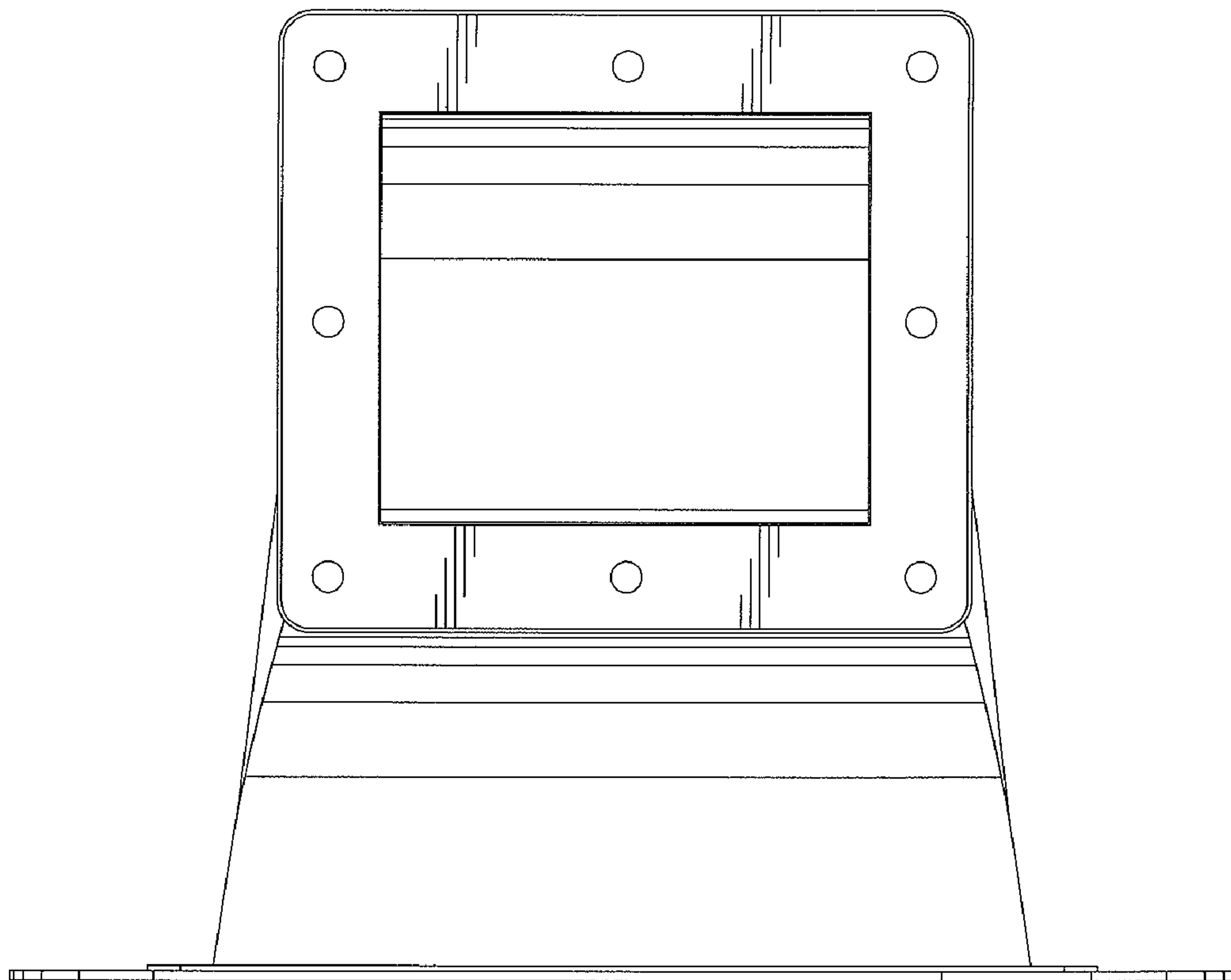


FIG . 3

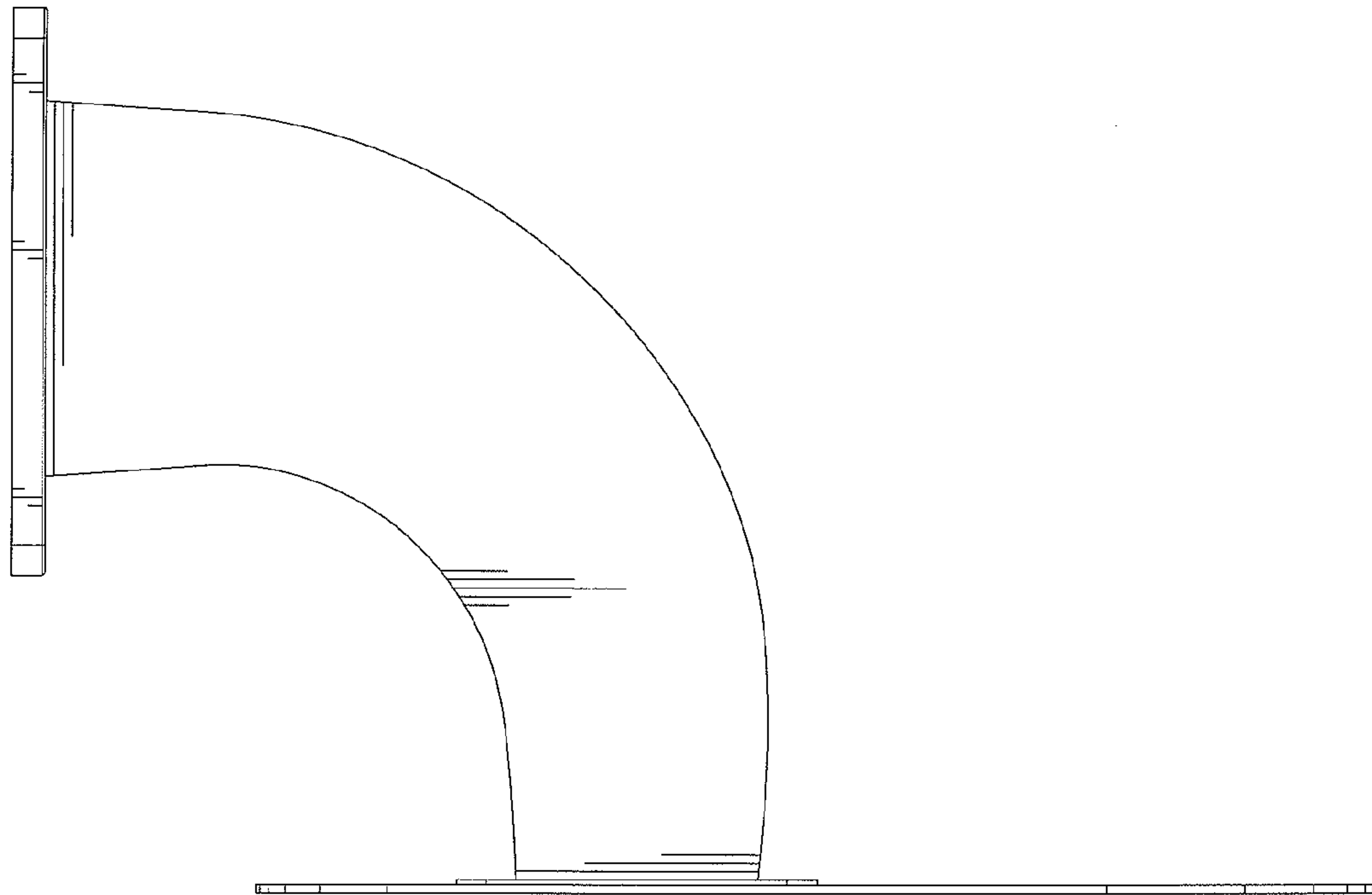


FIG . 4

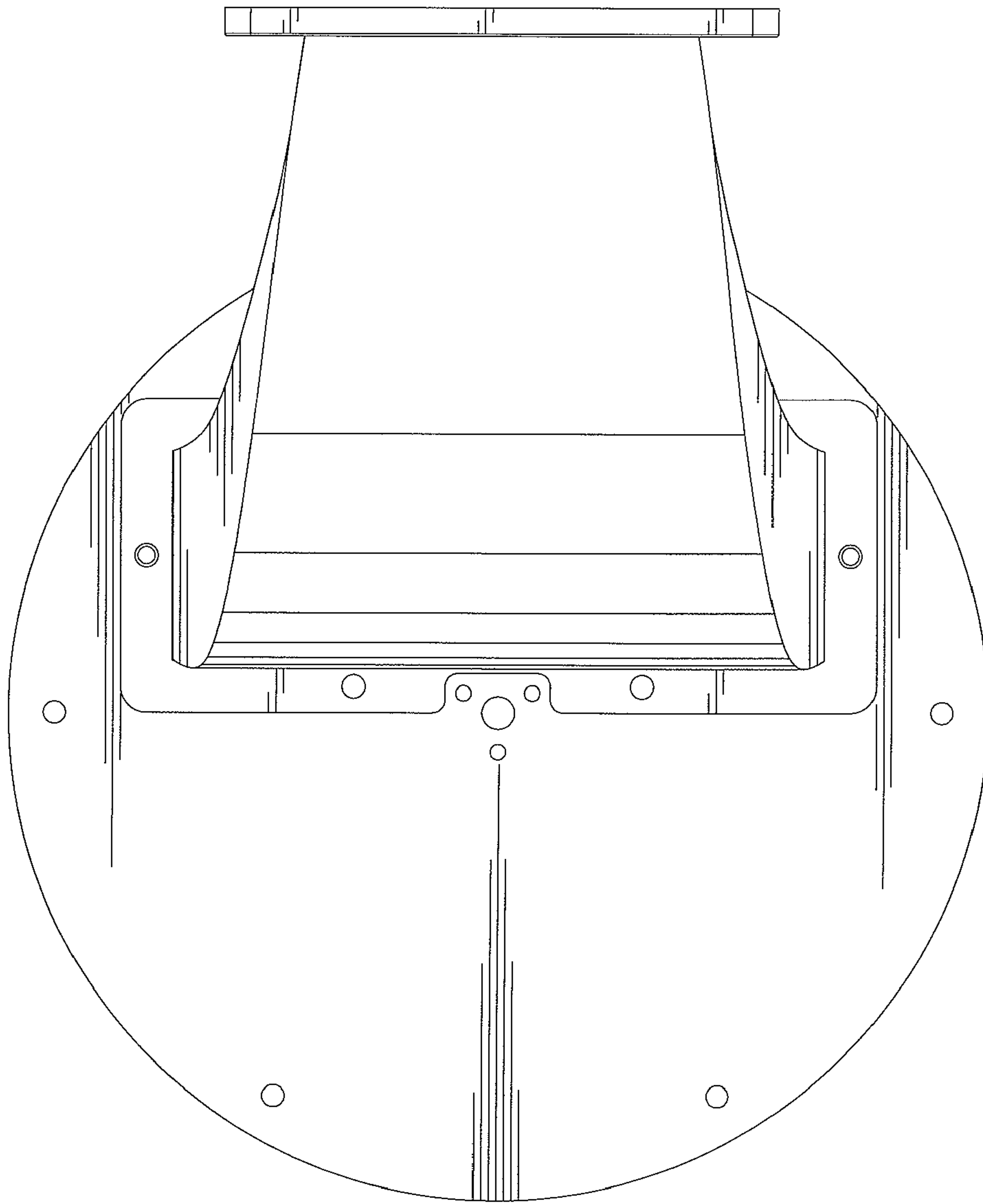


FIG . 5

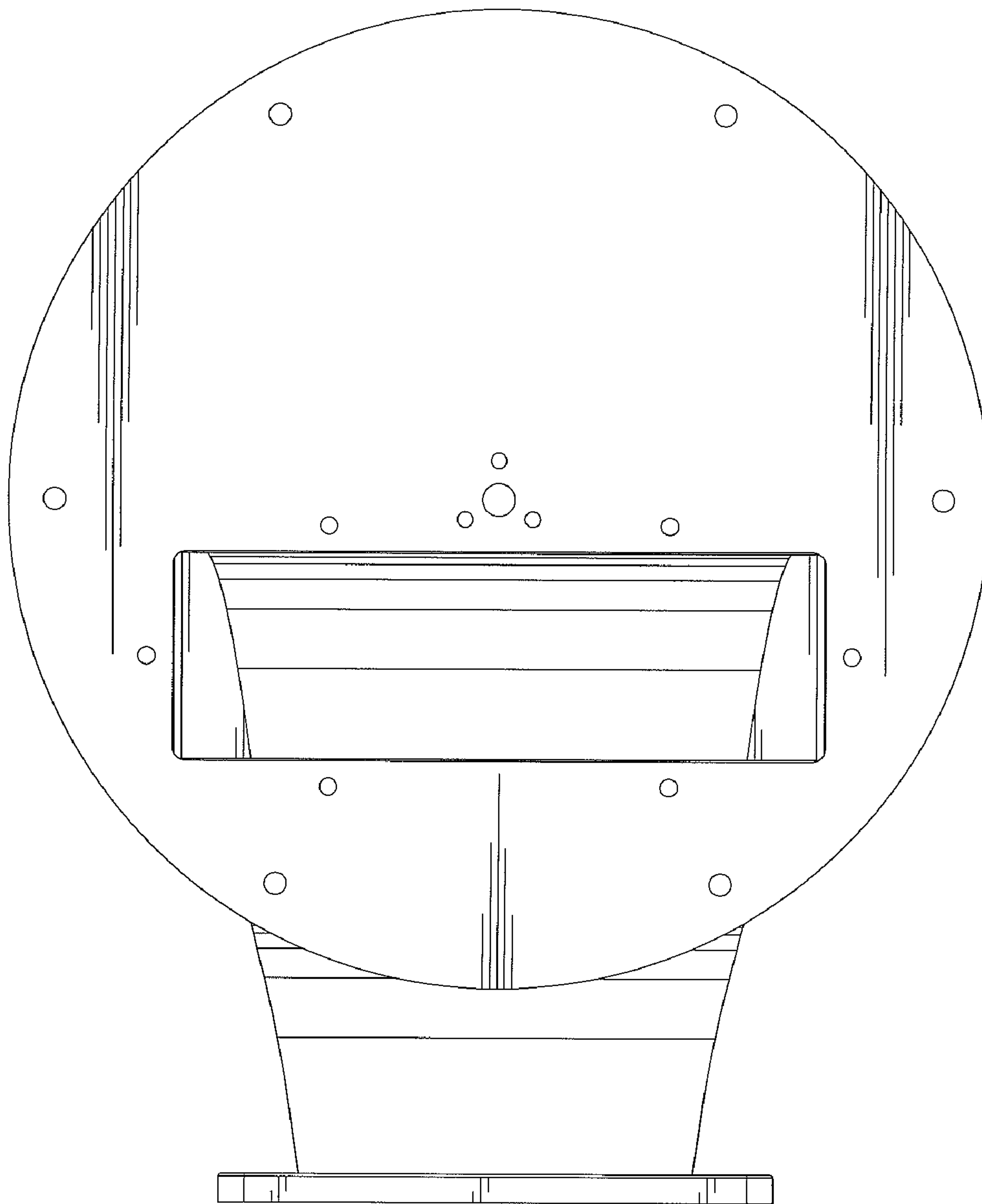


FIG . 6

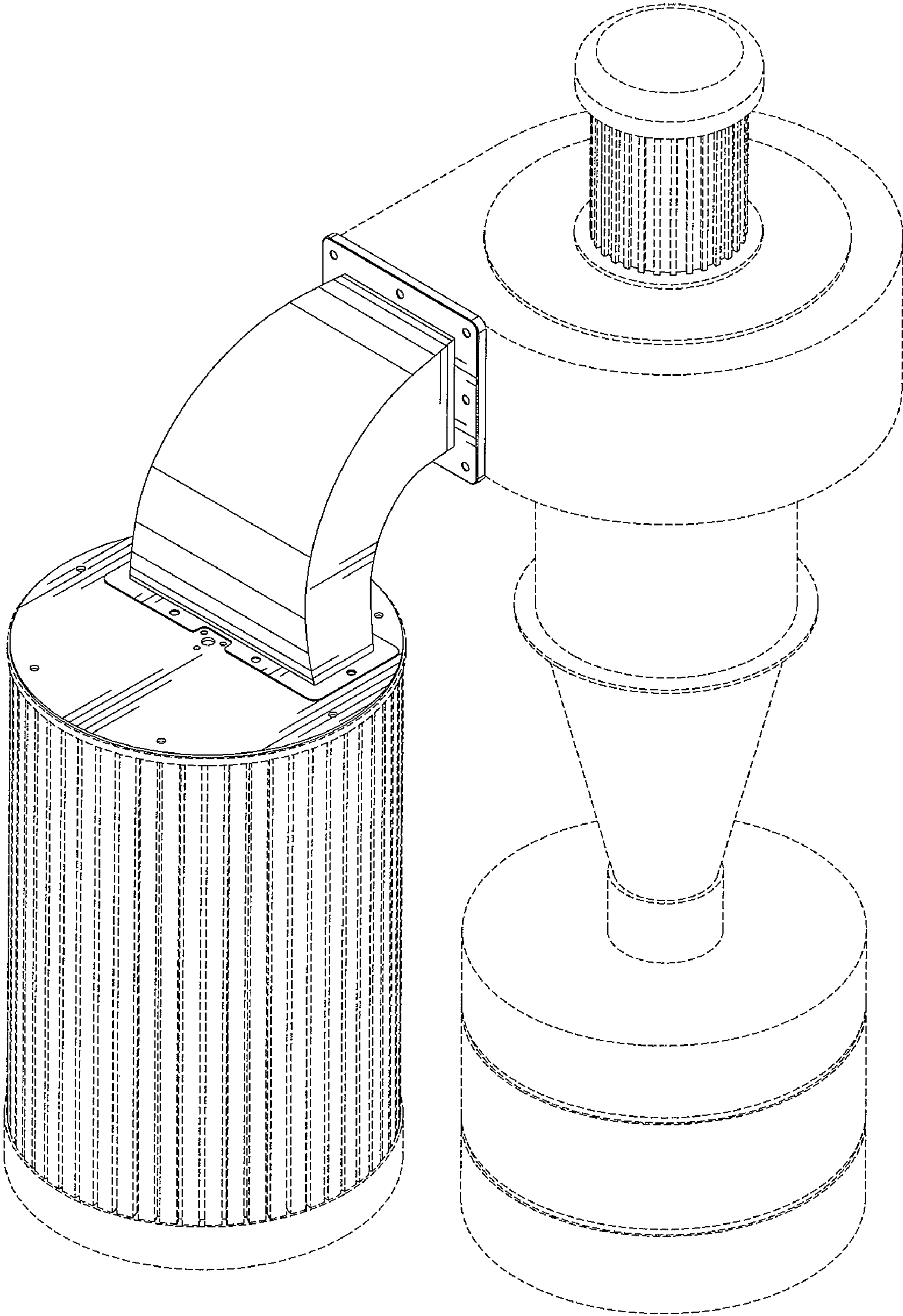


FIG . 7