

US00D634083S

(12) **United States Design Patent**  
**Fay**

(10) **Patent No.:** **US D634,083 S**  
(45) **Date of Patent:** **\*\* Mar. 8, 2011**

(54) **PRESSURE WASHER**  
(75) Inventor: **Barry E. Fay**, Janesville, WI (US)  
(73) Assignee: **Briggs & Stratton Corporation**,  
Wauwatosa, WI (US)  
(\*\*) Term: **14 Years**  
(21) Appl. No.: **29/360,714**

5,700,137 A \* 12/1997 Simonette ..... 417/364  
5,704,989 A 1/1998 Page  
D396,924 S 8/1998 Cardenas  
5,810,213 A 9/1998 Flores et al.  
5,957,352 A 9/1999 Gares  
5,967,426 A 10/1999 McLeod  
6,070,808 A 6/2000 Kildow  
D441,935 S 5/2001 Cook  
6,267,308 B1 7/2001 Hall  
6,279,838 B1 8/2001 Sivells et al.

(Continued)

(22) Filed: **Apr. 29, 2010**  
(51) **LOC (9) Cl.** ..... **15-05**  
(52) **U.S. Cl.** ..... **D32/15**  
(58) **Field of Classification Search** ..... D32/1,  
D32/15, 16, 17, 18, 19, 21, 25, 31; 15/49.1,  
15/302, 320-323; D15/7, 9; 239/146-147,  
239/149; D23/223, 225-226; D8/61; 417/360,  
417/364; 206/562

FOREIGN PATENT DOCUMENTS

JP 11-113822 4/1999

(Continued)

See application file for complete search history.

*Primary Examiner* — T. Chase Nelson  
*Assistant Examiner* — Kathleen M Sims  
(74) *Attorney, Agent, or Firm* — Foley & Lardner LLP

(56) **References Cited**

(57) **CLAIM**  
I claim the ornamental design for a pressure washer, as shown  
and described.

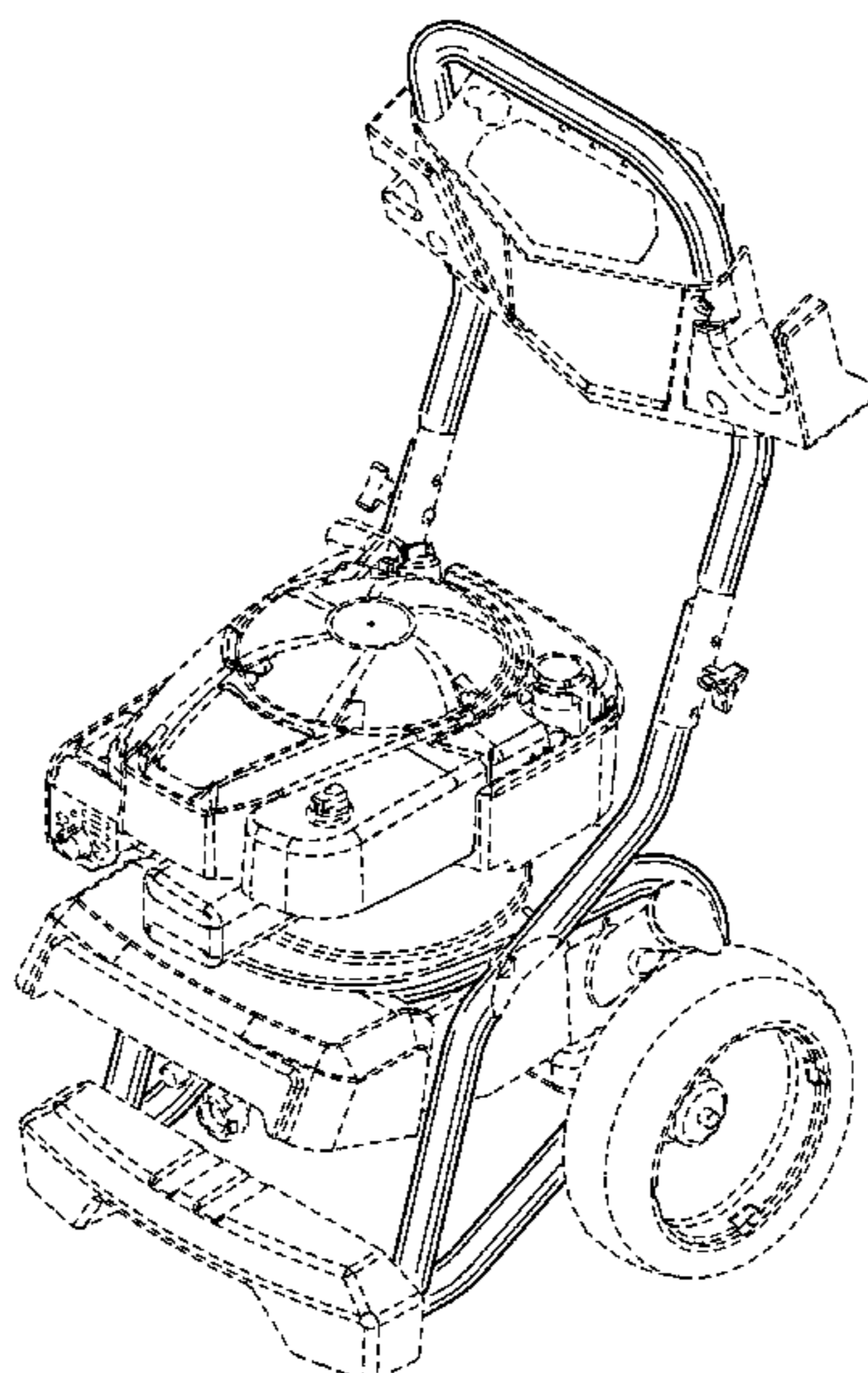
U.S. PATENT DOCUMENTS

**DESCRIPTION**

371,515 A 10/1887 Nowotny  
3,748,050 A 7/1973 Poppitz  
3,829,019 A 8/1974 Petsch  
3,832,069 A 8/1974 Petsch  
3,940,065 A 2/1976 Ware et al.  
3,940,826 A 3/1976 Phillips et al.  
3,959,010 A 5/1976 Thompson et al.  
4,350,366 A 9/1982 Helms  
5,134,748 A 8/1992 Lynn  
5,213,480 A \* 5/1993 Yedinak et al. .... 417/234  
5,265,805 A 11/1993 Artenian  
D345,842 S 4/1994 Sloan et al.  
5,299,767 A 4/1994 Simpson  
5,331,713 A 7/1994 Tipton  
5,419,497 A 5/1995 Warrington  
5,441,297 A \* 8/1995 Krohn et al. .... 280/655  
5,500,976 A 3/1996 Rohrbacher et al.  
D375,590 S \* 11/1996 Steinhart et al. .... D32/15

FIG. 1 is a front perspective view from above of a pressure washer showing my new design;  
FIG. 2 is a rear perspective view from above of the claimed design of FIG. 1;  
FIG. 3 is a top view of the claimed design of FIG. 1;  
FIG. 4 is a left side view of the claimed design of FIG. 1;  
FIG. 5 is a front view of the claimed design of FIG. 1;  
FIG. 6 is a right side view of the claimed design of FIG. 1;  
FIG. 7 is a rear view of the claimed design of FIG. 1; and,  
FIG. 8 is a bottom view of the claimed design of FIG. 1.  
The ornamental design that is claimed is shown in solid lines in the drawings. Any broken lines in the drawings are for illustrative purposes only and form no part of the claimed design.

**1 Claim, 8 Drawing Sheets**



# US D634,083 S

Page 2

## U.S. PATENT DOCUMENTS

6,302,967 B1 10/2001 Rohrbacher et al.  
D458,423 S 6/2002 Rehkugler et al.  
D463,888 S 10/2002 Rehkugler et al.  
D465,624 S 11/2002 Kolicheski et al.  
D467,692 S \* 12/2002 Morgan et al. .... D32/15  
6,695,235 B2 2/2004 Faller et al.  
6,750,556 B2 \* 6/2004 Sodemann et al. .... 290/1 A  
6,758,482 B2 7/2004 Stallbaumer  
D496,763 S \* 9/2004 Chen ..... D32/16  
D499,848 S 12/2004 Leasure  
6,827,357 B2 12/2004 Calmeise et al.  
6,866,486 B2 \* 3/2005 Dexter et al. .... 417/299  
6,892,957 B2 \* 5/2005 Bennett et al. .... 239/146  
6,935,642 B1 \* 8/2005 Craig et al. .... 280/47.24  
7,125,228 B2 \* 10/2006 Dexter et al. .... 417/299

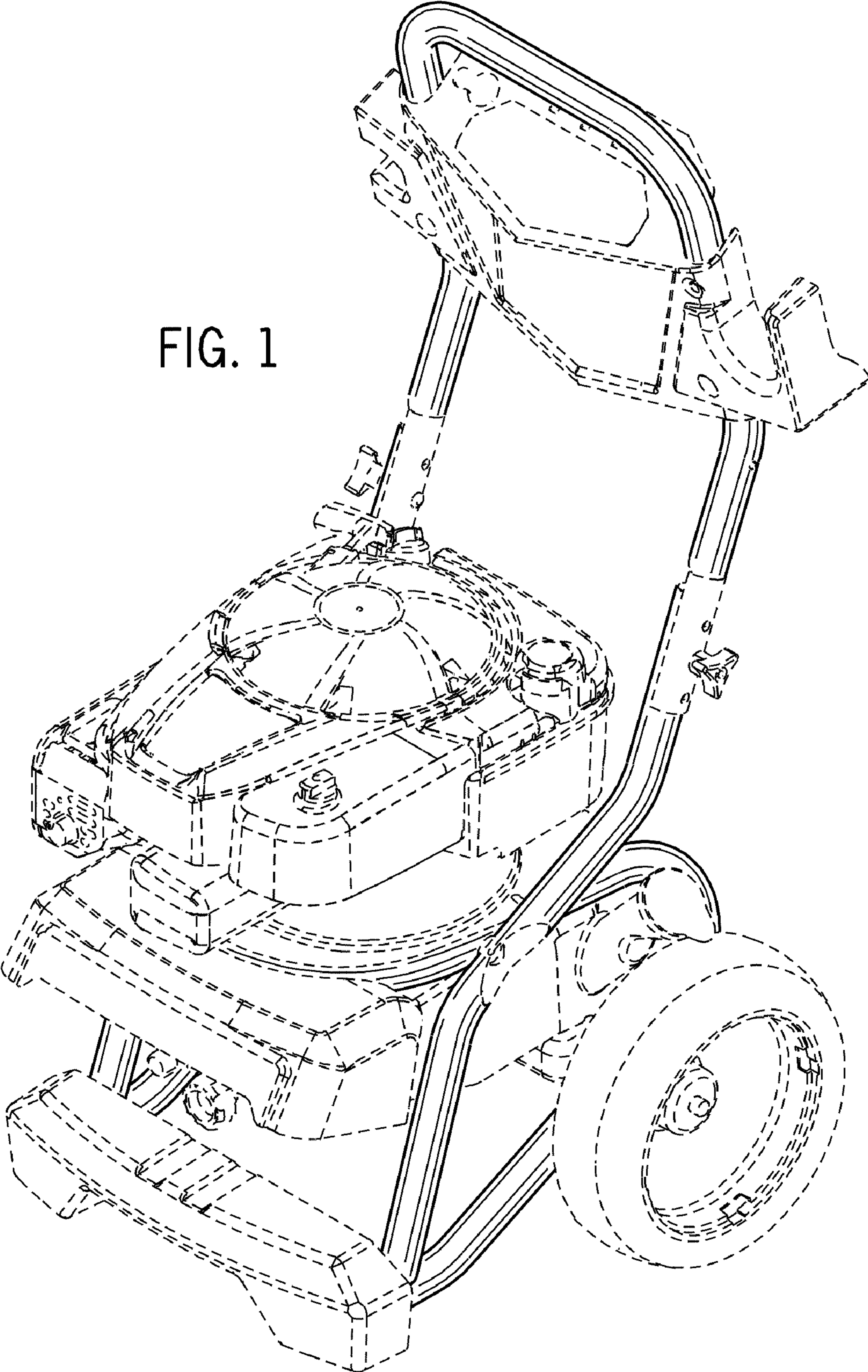
D532,942 S \* 11/2006 Busschaert ..... D32/15  
7,198,204 B2 \* 4/2007 Bennett et al. .... 239/146  
7,316,286 B2 \* 1/2008 Hillary ..... 180/291  
7,475,888 B2 \* 1/2009 Craig et al. .... 280/47.18  
7,562,780 B2 \* 7/2009 Gilpatrick et al. .... 211/70.6  
7,604,246 B2 \* 10/2009 Sodemann et al. .... 280/47.315  
2003/0122331 A1 7/2003 DiGiacomo, Jr. et al.  
2004/0046044 A1 3/2004 Bennett et al.  
2005/0205688 A1 9/2005 Bennett et al.  
2006/0083634 A1 \* 4/2006 Dexter et al. .... 417/380  
2006/0102745 A1 \* 5/2006 Dexter ..... 239/146

## FOREIGN PATENT DOCUMENTS

JP 2001-149871 6/2001  
WO WO 98/00239 1/1998

\* cited by examiner

FIG. 1



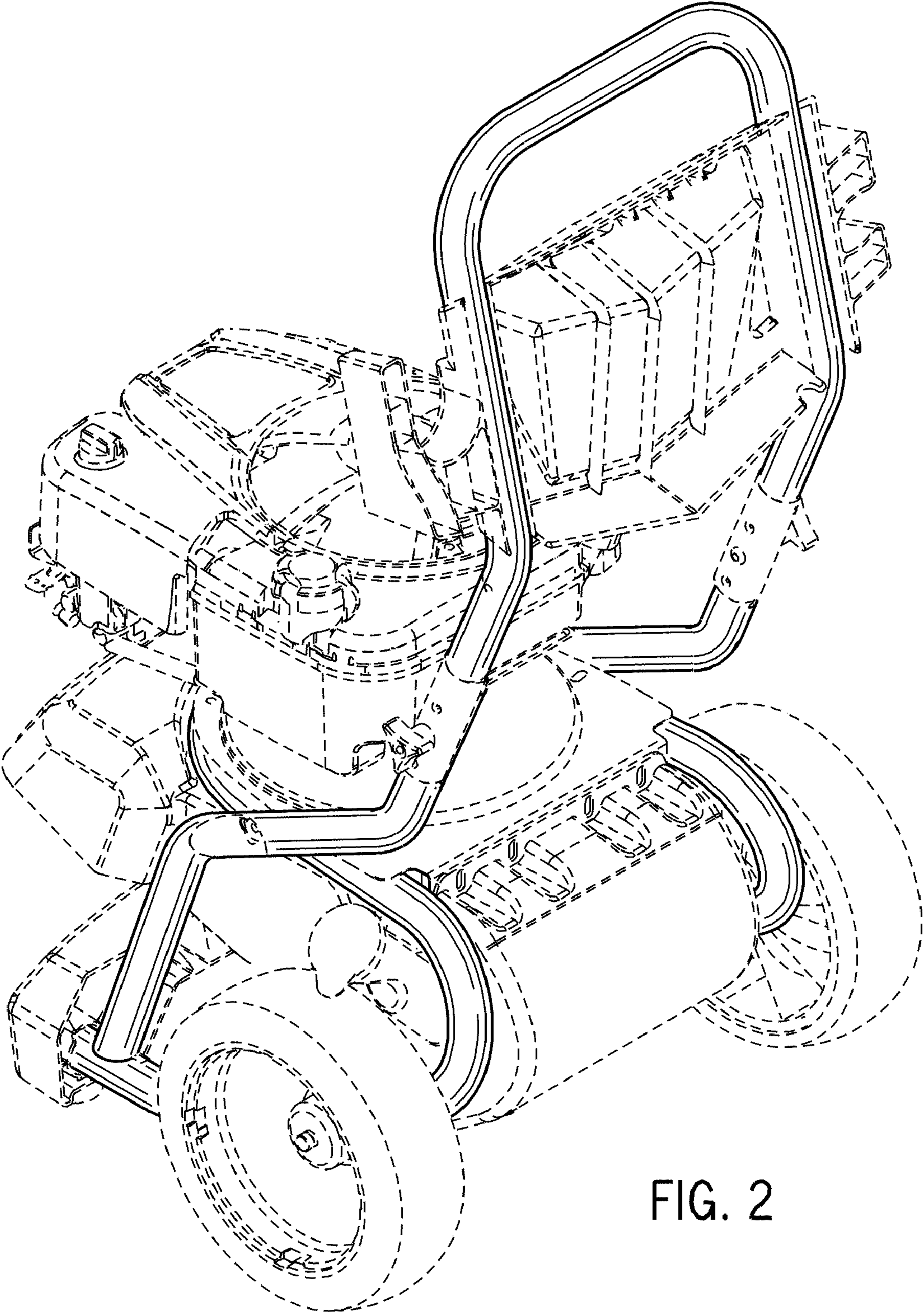


FIG. 2

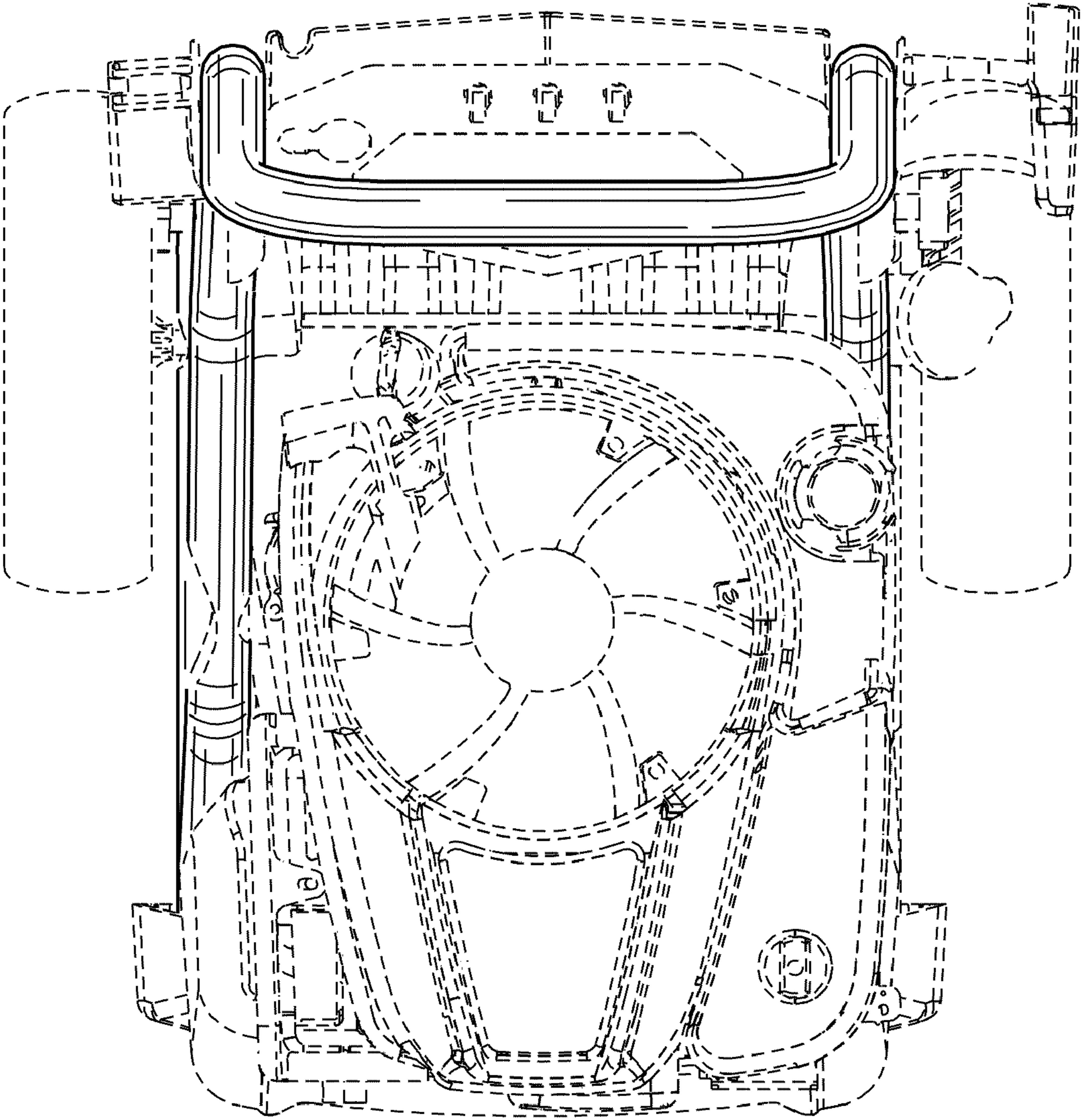


FIG. 3

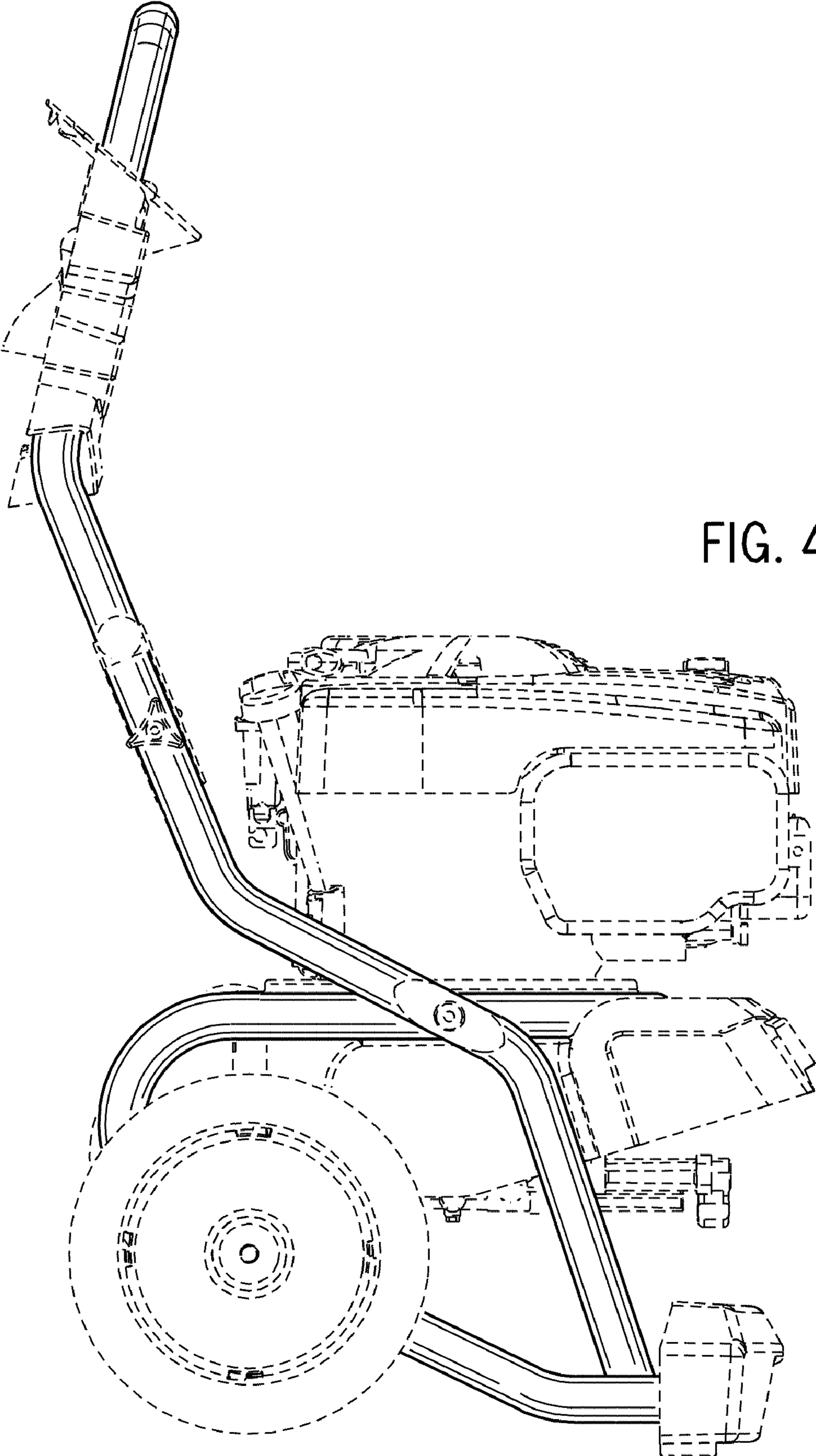


FIG. 4

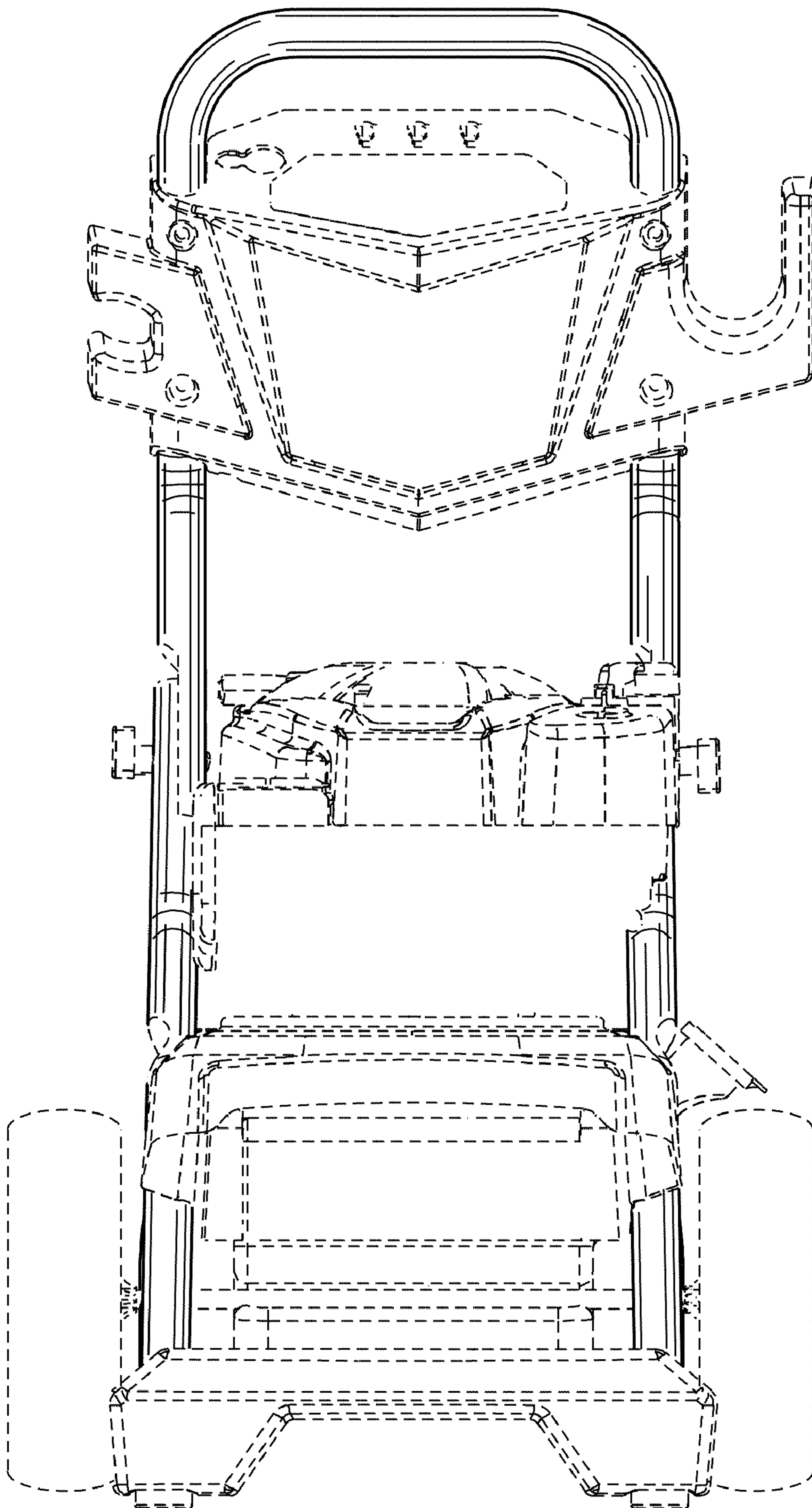


FIG. 5

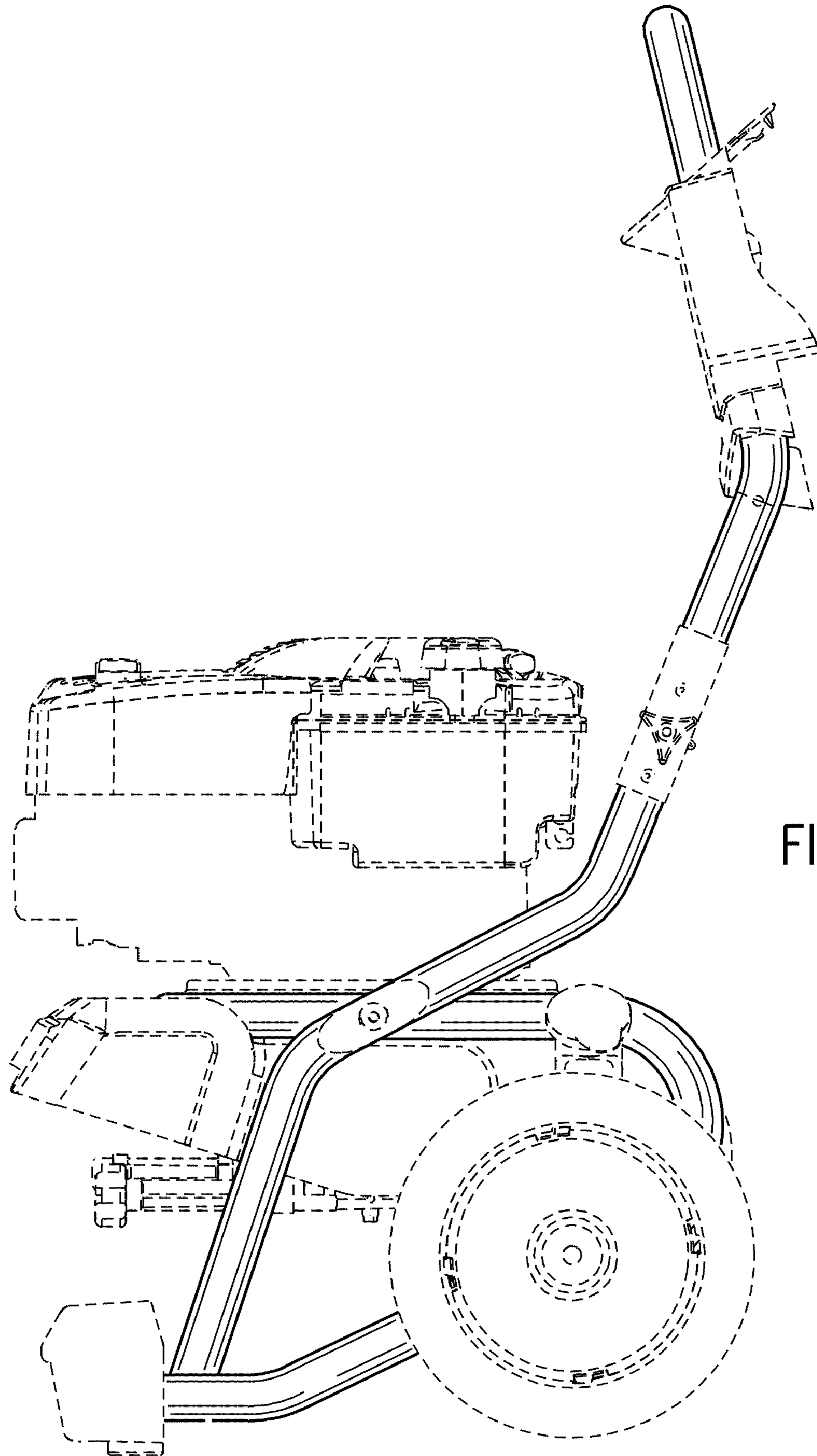


FIG. 6



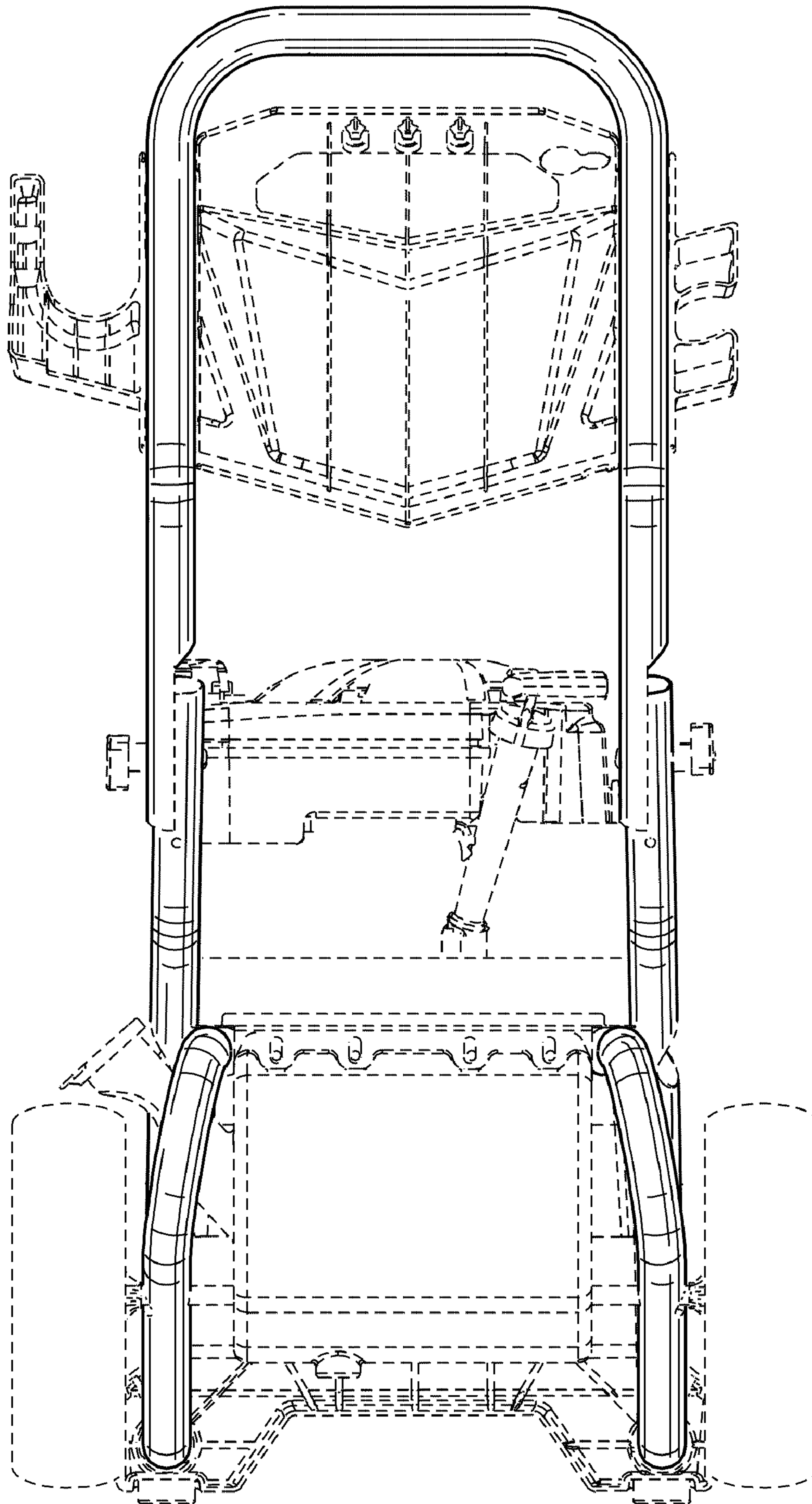


FIG. 7

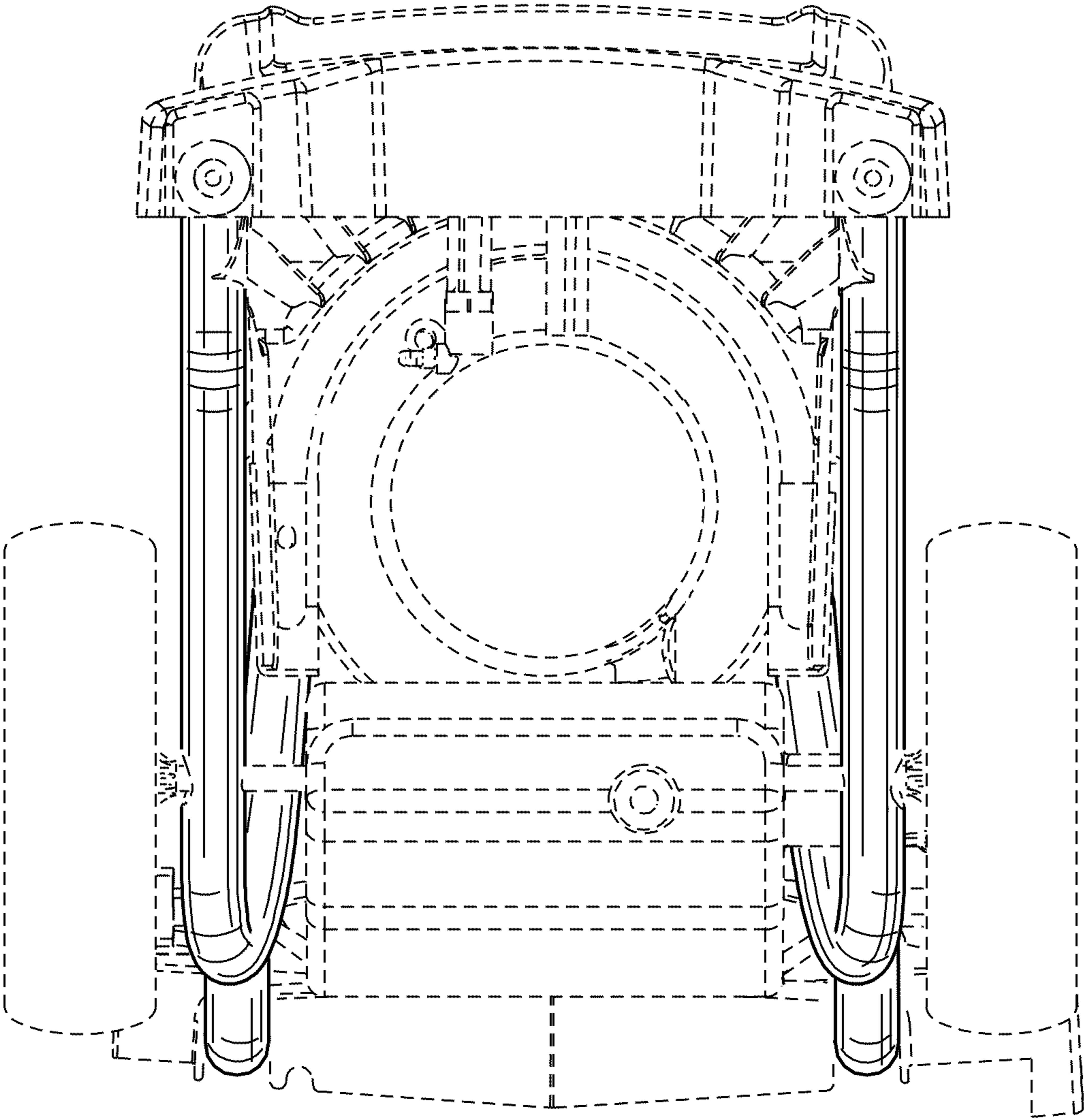


FIG. 8