



US00D634082S

(12) **United States Design Patent**
Lin

(10) **Patent No.:** **US D634,082 B**
(45) **Date of Patent:** **** Mar. 8, 2011**

(54) **DUST COLLECTOR**

(75) Inventor: **Kun-Yi Lin**, Taichung (TW)

(73) Assignee: **Meta International Co., Ltd.**, Taichung (TW)

(**) Term: **14 Years**

(21) Appl. No.: **29/270,592**

(22) Filed: **Dec. 28, 2006**

(51) **LOC (9) Cl.** **15-01**

(52) **U.S. Cl.** **D32/1**

(58) **Field of Classification Search** D32/1,
D32/31, 34, 16, 21-23, 15, 17, 25; 15/353,
15/410, 320-321, 327.1, 327.2, 327.6, 323,
15/327.4, 327.7, 347; 55/356, 378, 429
See application file for complete search history.

(56) **References Cited**

U.S. PATENT DOCUMENTS

D357,094 S *	4/1995	Lin	D32/1
D357,095 S *	4/1995	Lin	D32/1
D501,694 S *	2/2005	Cannon	D99/99
D502,297 S *	2/2005	Cheng	D32/21
D518,610 S *	4/2006	Cheng	D32/21

D527,852 S *	9/2006	Tsai	D32/1
D531,769 S *	11/2006	Lin	D32/21
D533,321 S *	12/2006	Peng	D32/21
D533,694 S *	12/2006	Cheng	D32/21
2005/0257507 A1 *	11/2005	Tsai	55/428
2006/0016162 A1 *	1/2006	Lin	55/428

* cited by examiner

Primary Examiner — Louis S. Zarfaz

Assistant Examiner — Kathleen Sims

(74) *Attorney, Agent, or Firm* — Alan Kamrath; Kamrath & Associates PA

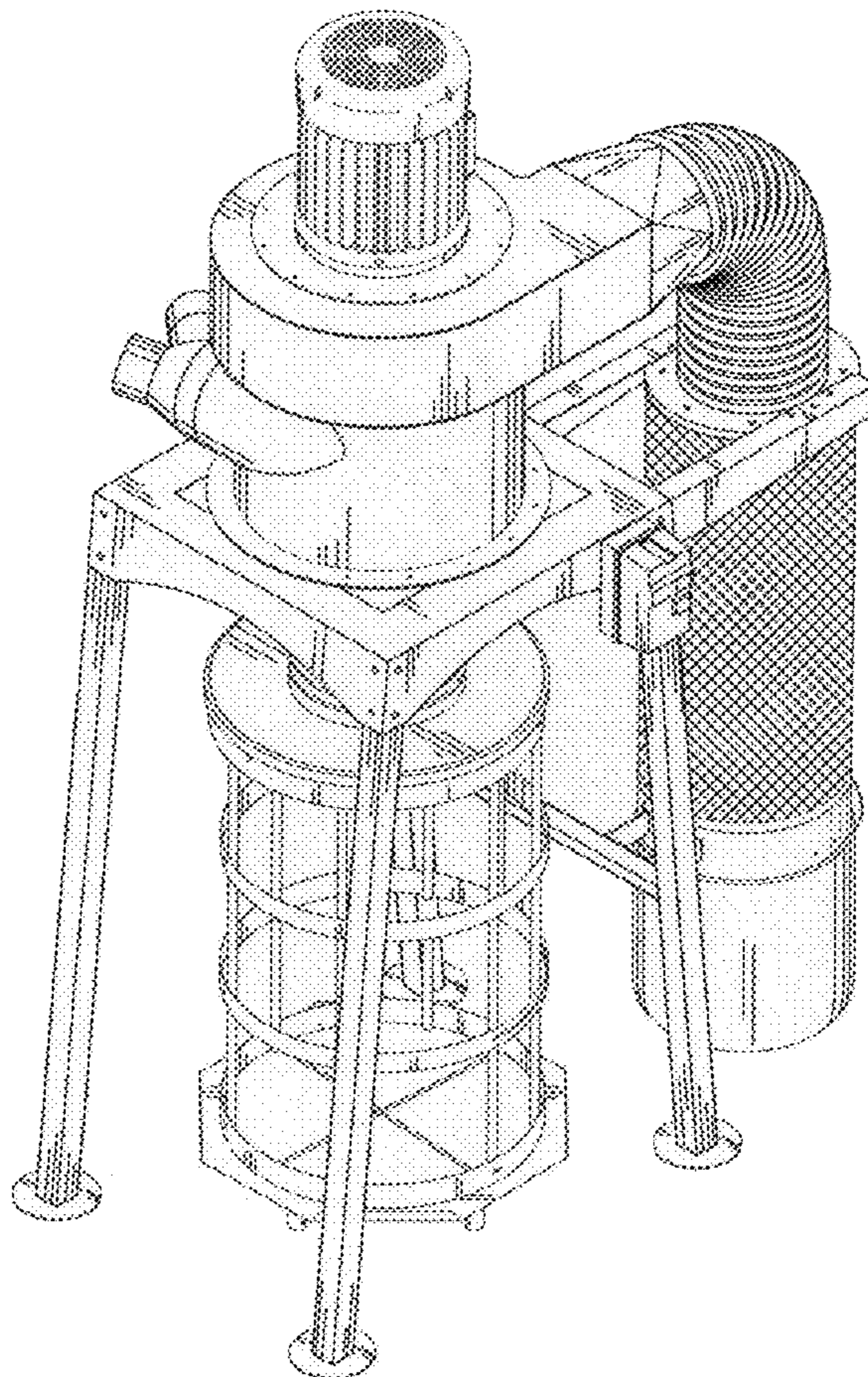
(57) **CLAIM**

The ornamental design for a dust collector, as shown and described.

DESCRIPTION

FIG. 1 is a perspective view of a dust collector showing my design;
FIG. 2 is a front elevational view thereof;
FIG. 3 is a rear elevational view thereof;
FIG. 4 is a left side elevational view thereof;
FIG. 5 is a right side elevational view thereof;
FIG. 6 is a top plan view thereof; and,
FIG. 7 is a bottom plan view thereof.

1 Claim, 6 Drawing Sheets



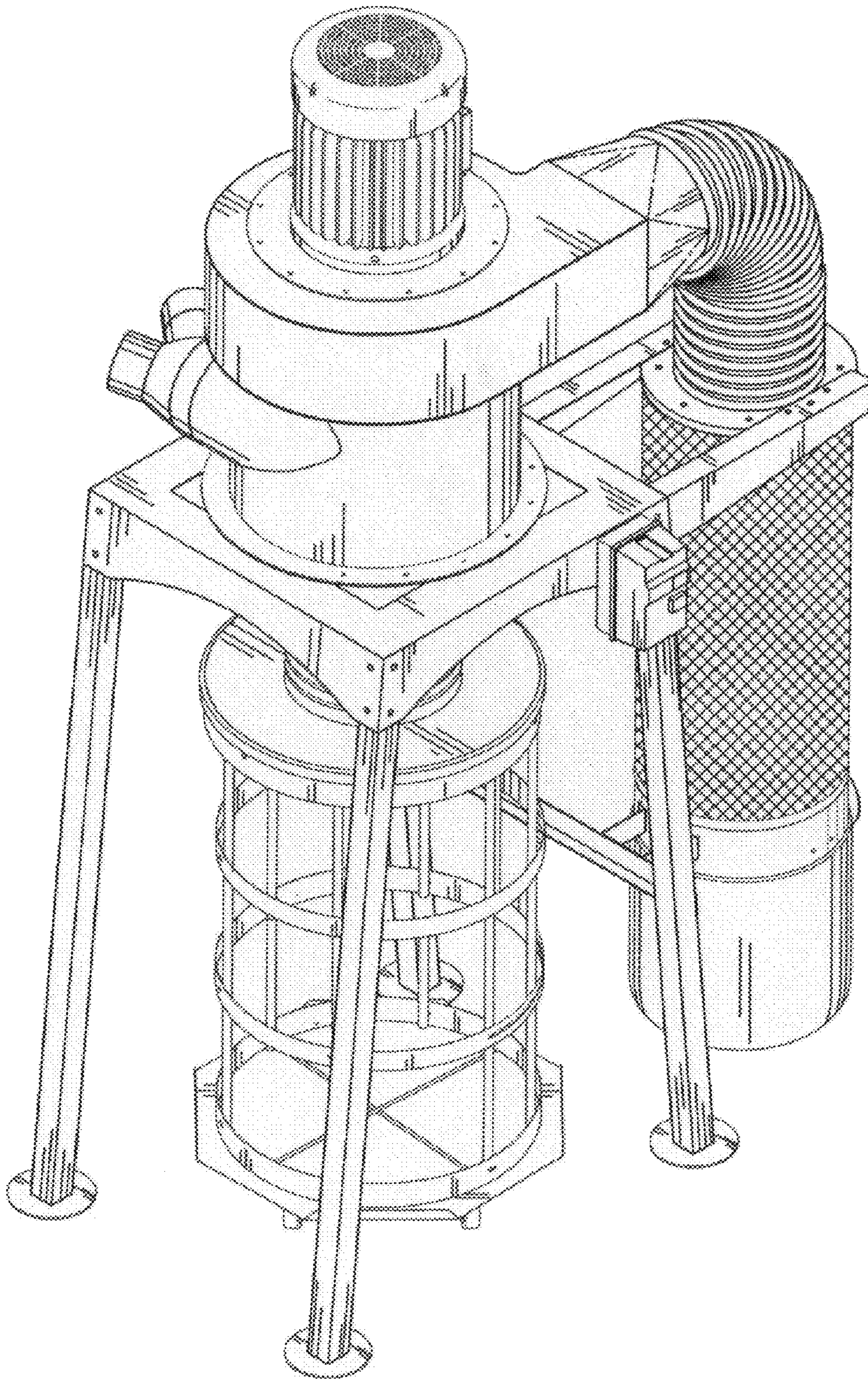


FIG. 1

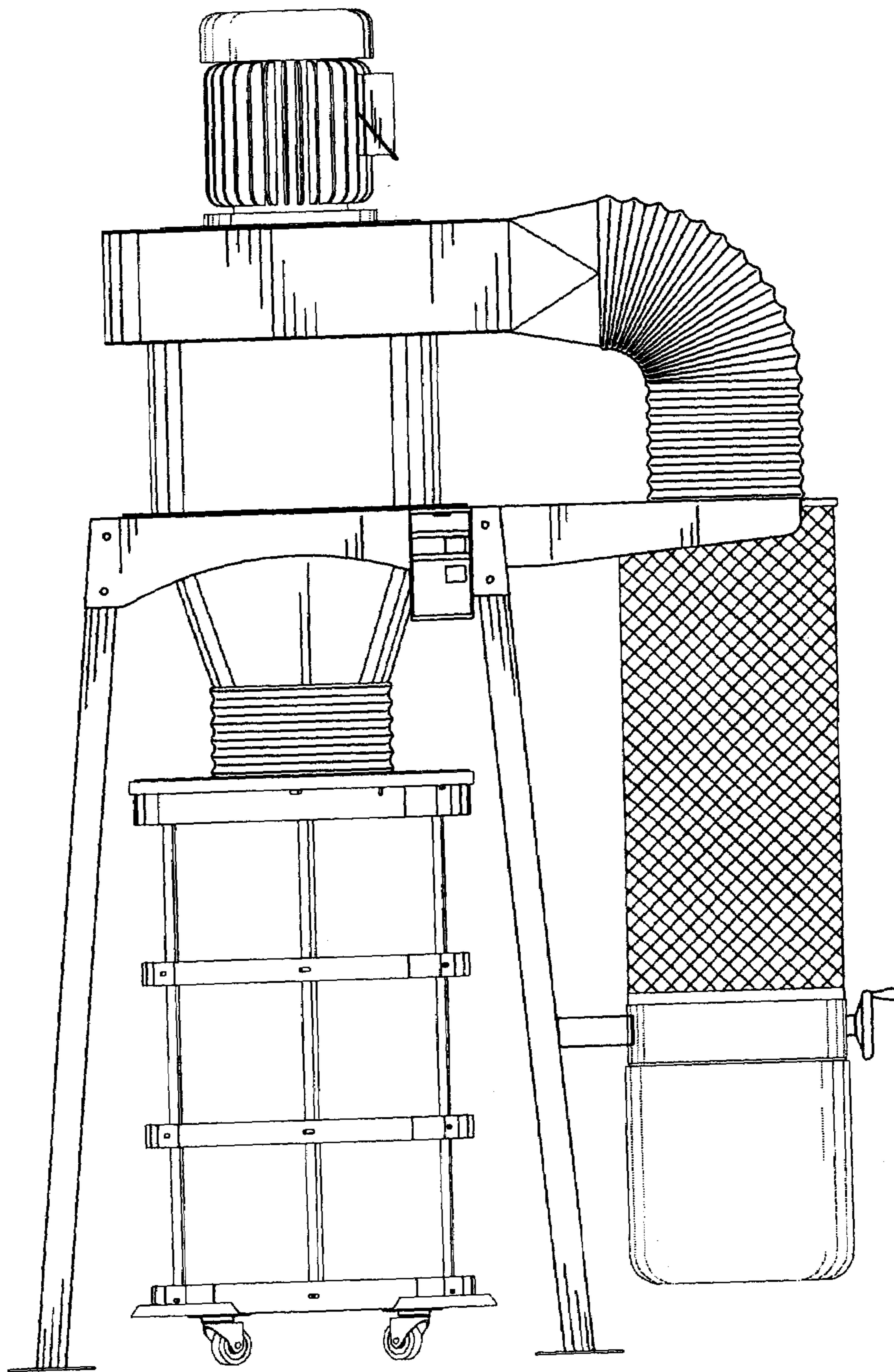


FIG. 2

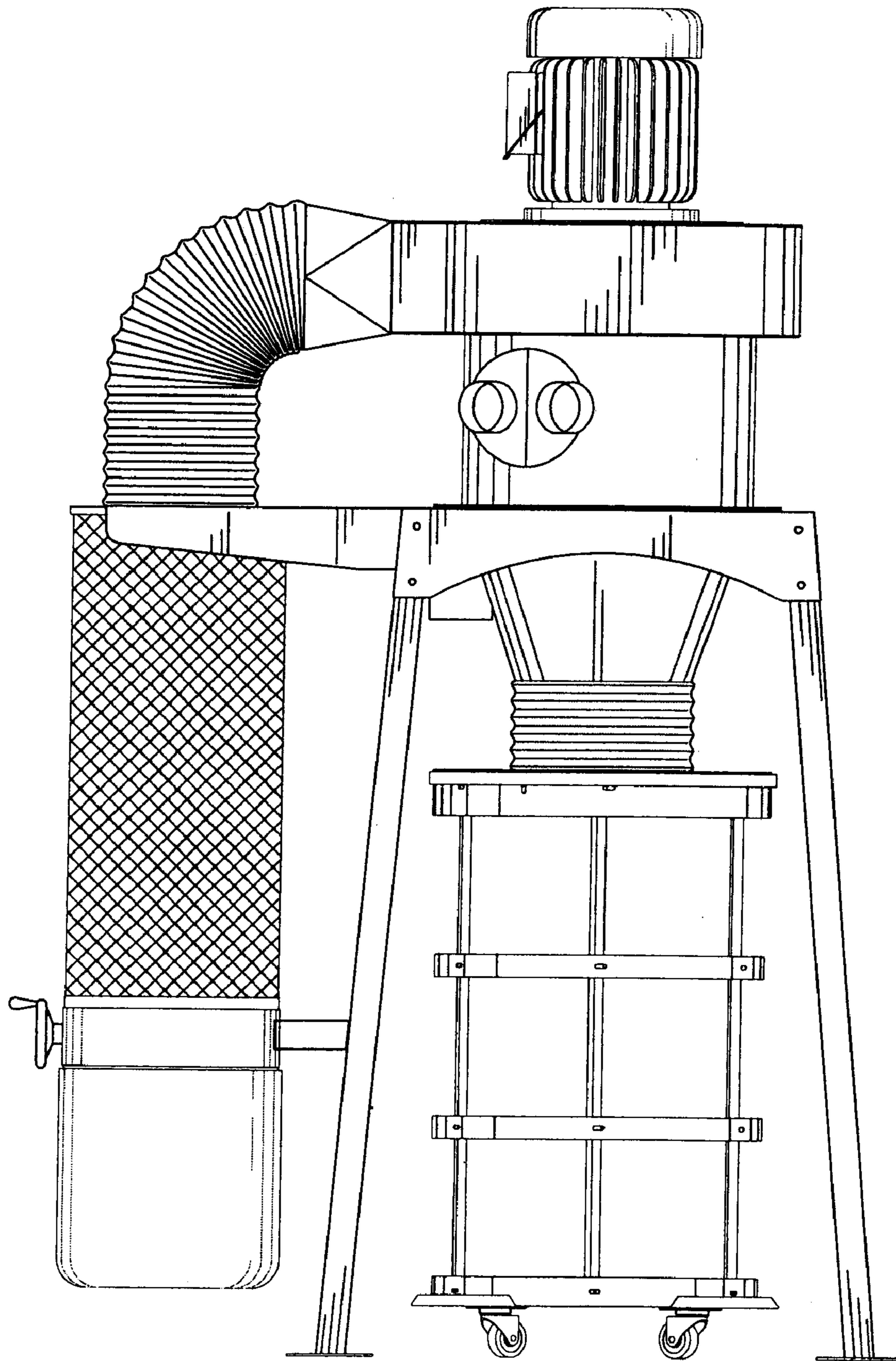


FIG. 3

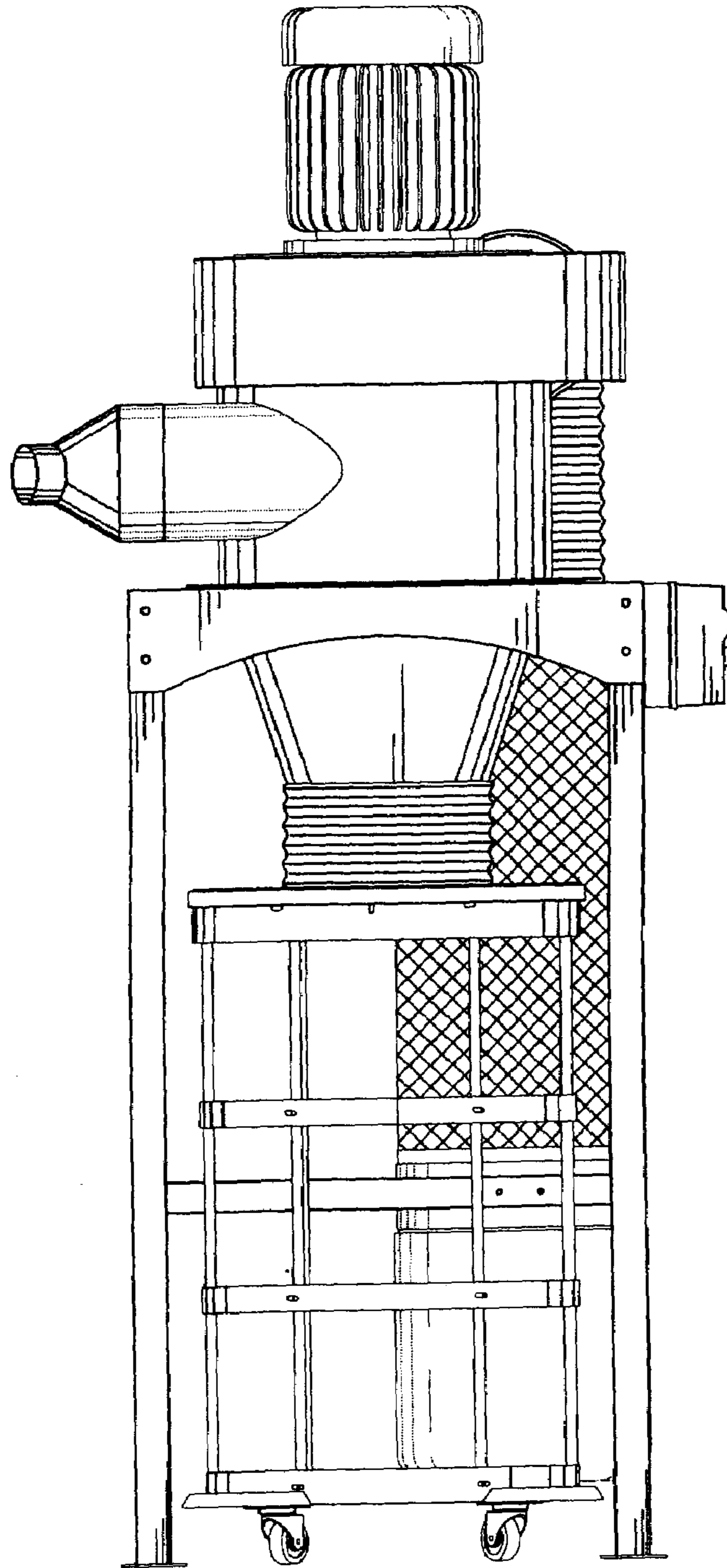


FIG. 4

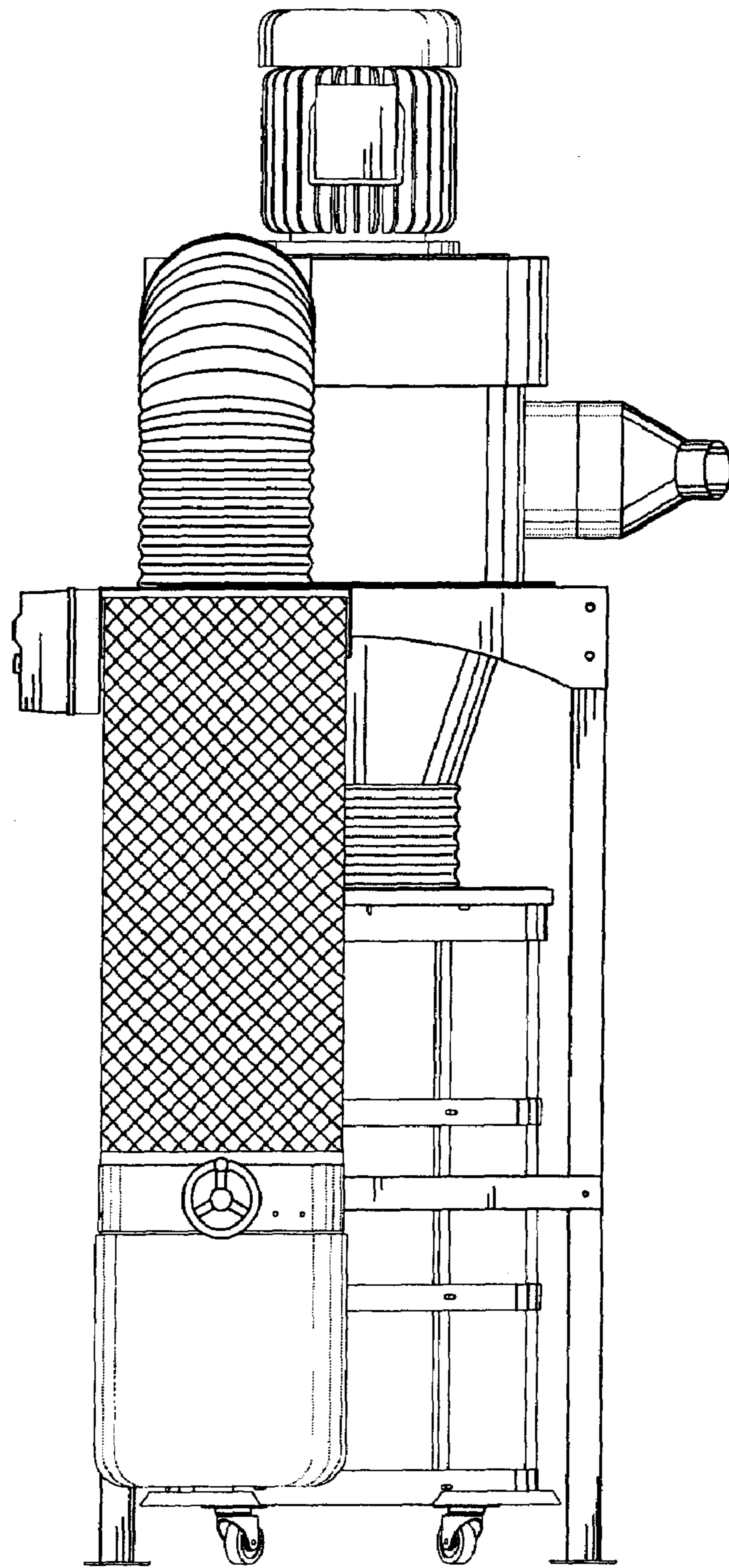


FIG. 5

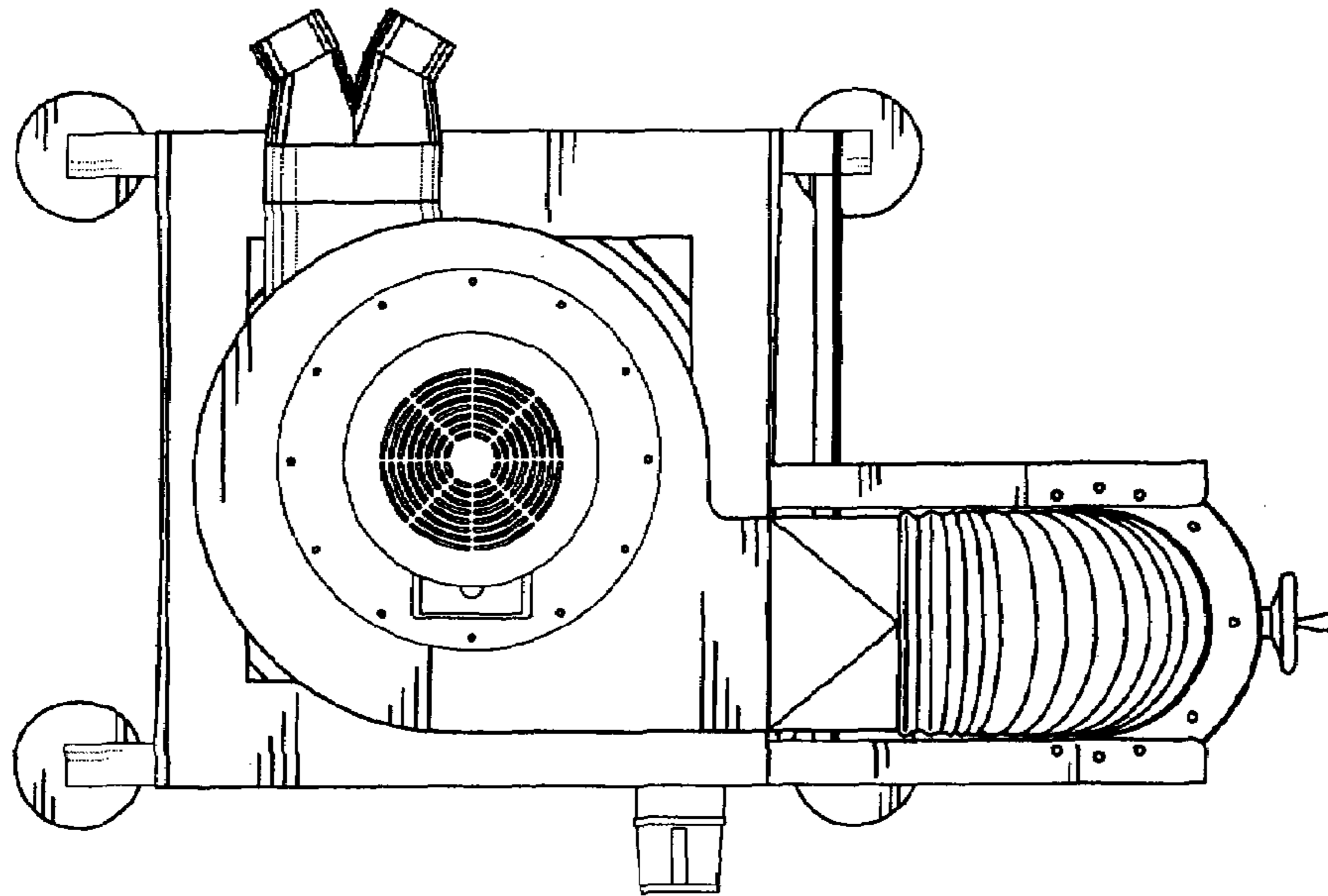


FIG. 6

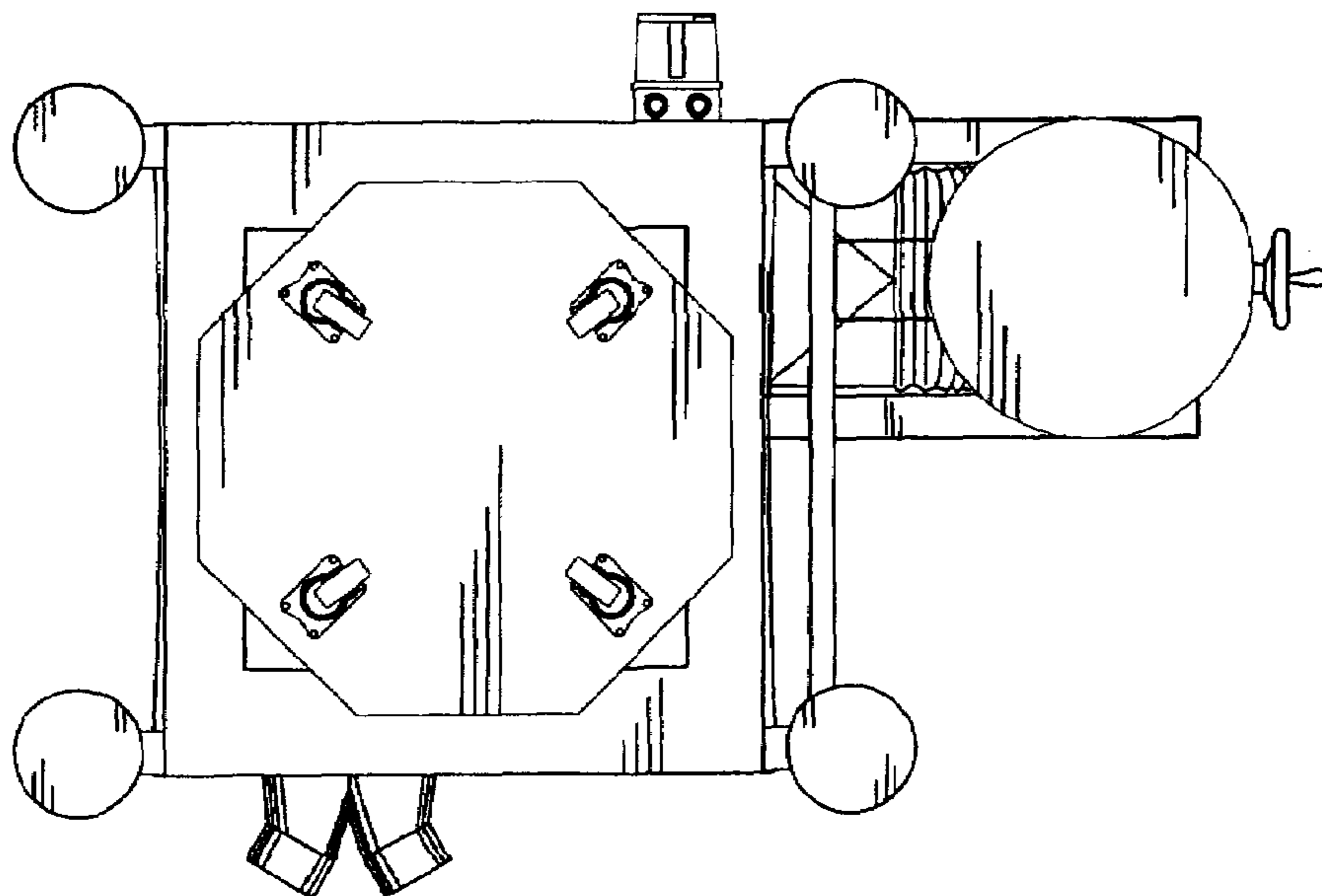


FIG. 7