



US00D634071S

(12) **United States Design Patent**
Briers

(10) **Patent No.:** **US D634,071 S**

(45) **Date of Patent:** **** Mar. 8, 2011**

(54) **JEWEL BEDECKED CYLINDRICAL FLOSS DISPENSER**

(74) *Attorney, Agent, or Firm* — Jerome J. Norris

(75) Inventor: **Sherelle M. Briers**, Stockbridge, GA (US)

(57) **CLAIM**

The ornamental design for a jewel-bedecked cylindrical floss dispenser, as shown and described.

(73) Assignee: **Sherelle M. Briers**, Stockbridge, GA (US)

(**) Term: **14 Years**

DESCRIPTION

(21) Appl. No.: **29/311,885**

(22) Filed: **Jul. 23, 2009**

(51) **LOC (9) Cl.** **28-03**

(52) **U.S. Cl.** **D28/66**

(58) **Field of Classification Search** D28/31, D28/56, 65–68, 73; D24/152; 433/141, 433/146–147; 132/322–329; 242/137–138; D9/419–420, 422, 529; D3/203.1, 205
See application file for complete search history.

FIG. 1 is a perspective view of the jewel bedecked, cylindrical floss dispenser with the top closed.

FIG. 2 is a perspective view of the jewel bedecked, cylindrical floss dispenser with the top open, and showing a thread of floss exiting from the opening.

FIG. 3 is a right side view of the jewel bedecked, cylindrical floss dispenser with the top closed.

FIG. 4 is a front view of the jewel bedecked, cylindrical floss dispenser.

FIG. 5 is a front view of the jewel bedecked, cylindrical floss dispenser with the top open and showing exiting floss.

FIG. 6 is a right side view of the jewel bedecked, cylindrical floss dispenser with the top open and showing exiting floss.

FIG. 7 is a rear view of the jewel-bedecked, cylindrical floss dispenser with the top closed.

FIG. 8 is a top view of the jewel bedecked, cylindrical floss dispenser with the top closed.

FIG. 9 is a bottom view of the jewel bedecked, cylindrical floss dispenser; and,

FIG. 10 is a top view of the jewel bedecked, cylindrical floss dispenser, with the top open and showing exiting floss.

The broken lines in the drawings are for illustrative purposes only and form no part of the claimed design.

(56) **References Cited**

U.S. PATENT DOCUMENTS

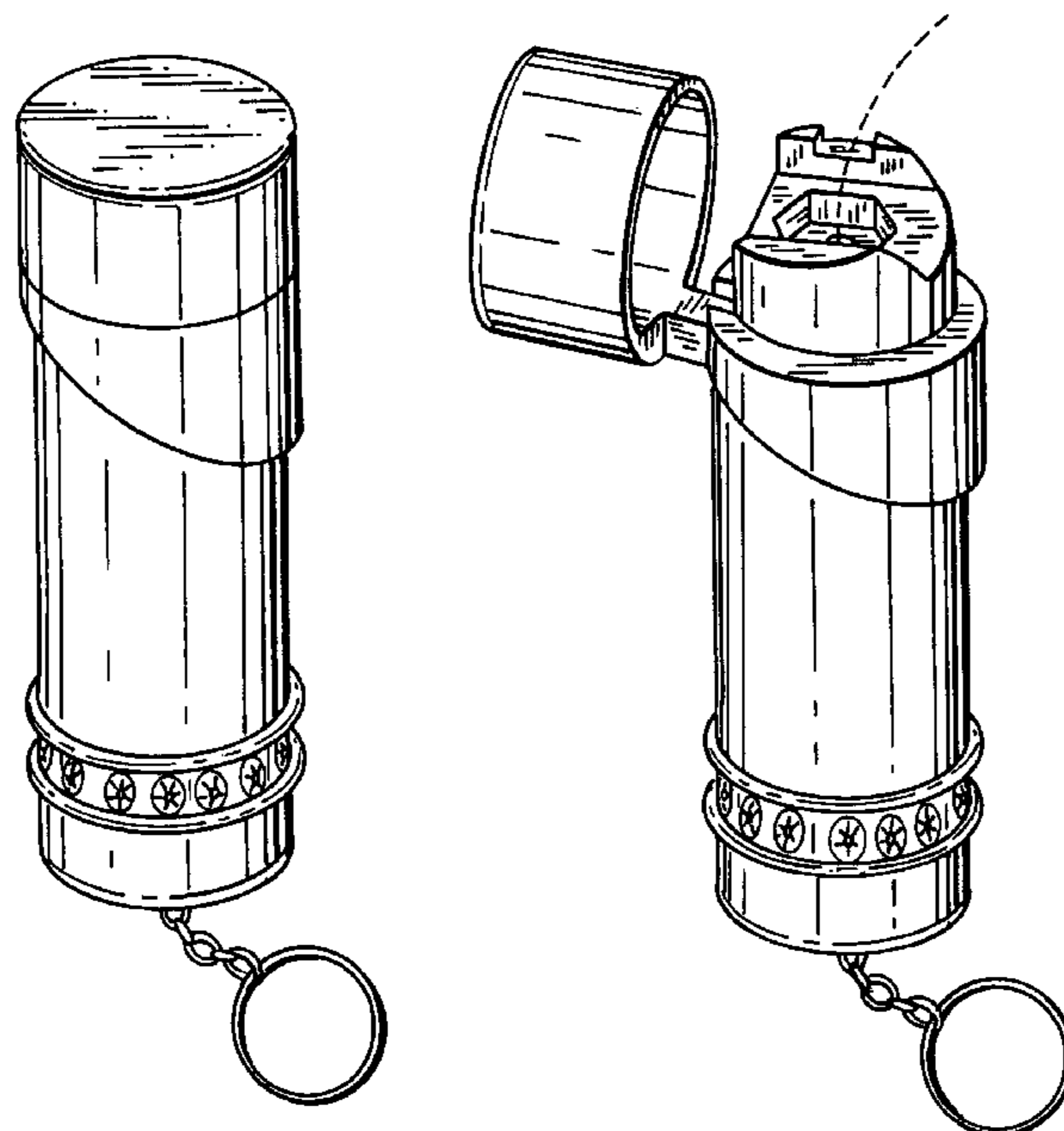
D293,491	S	*	12/1987	Fronske	D28/66
D335,086	S	*	4/1993	Wacker	D9/529
D341,909	S	*	11/1993	Schneider	D28/66
D347,297	S	*	5/1994	Vesco	D28/77
D381,468	S	*	7/1997	Dolan et al.	D28/66
5,762,079	A	*	6/1998	Protonantis	132/325
D441,143	S	*	4/2001	Stvartak et al.	D28/66
D485,945	S	*	1/2004	Blasi et al.	D28/66
D540,169	S	*	4/2007	Tanner	D9/503
D567,094	S	*	4/2008	Bickert	D9/529
D571,044	S	*	6/2008	Conte et al.	D28/66

* cited by examiner

Primary Examiner — Janice E Seeger

Assistant Examiner — Zenia I Bennett

1 Claim, 4 Drawing Sheets



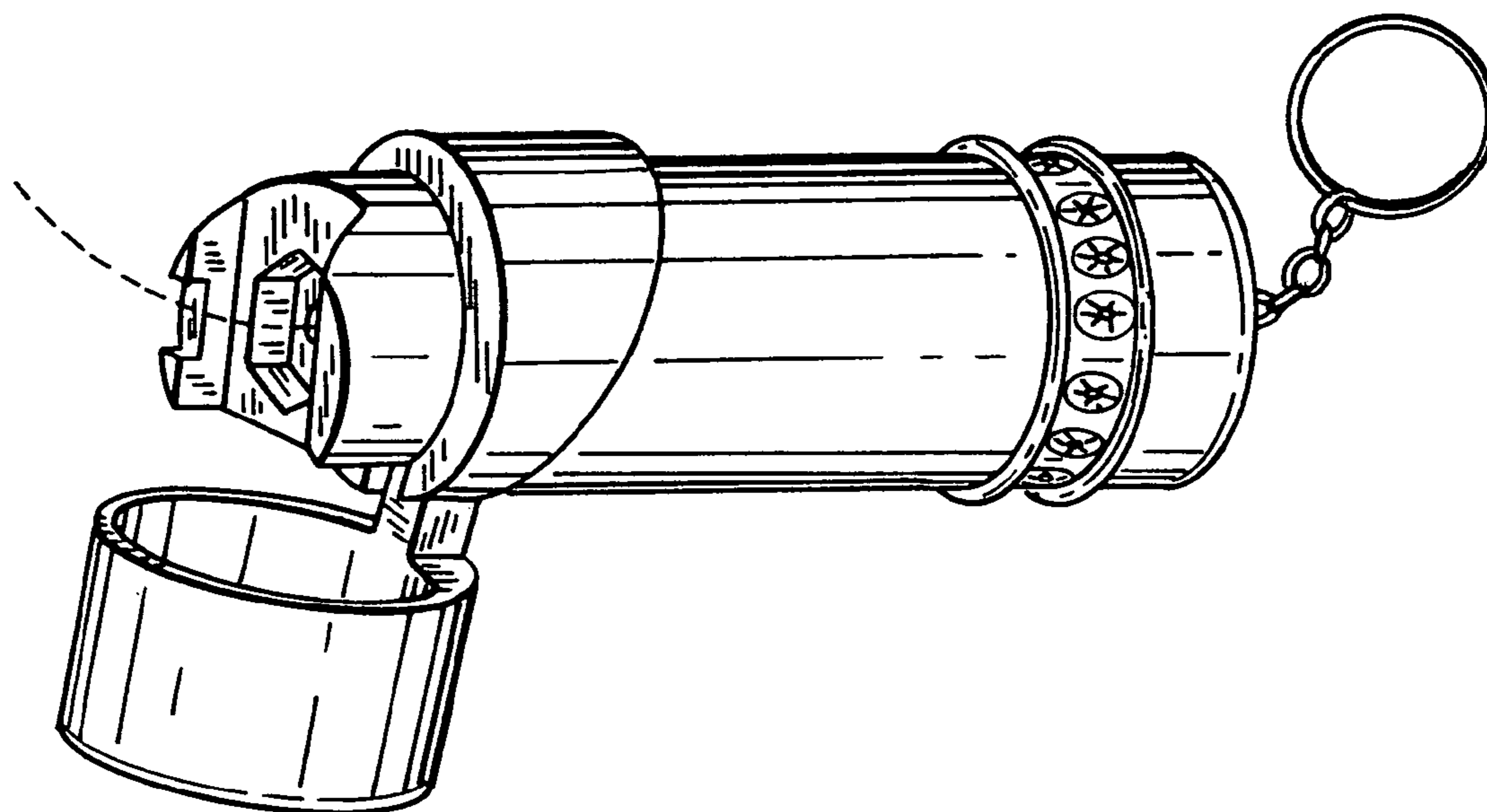


FIG. 2

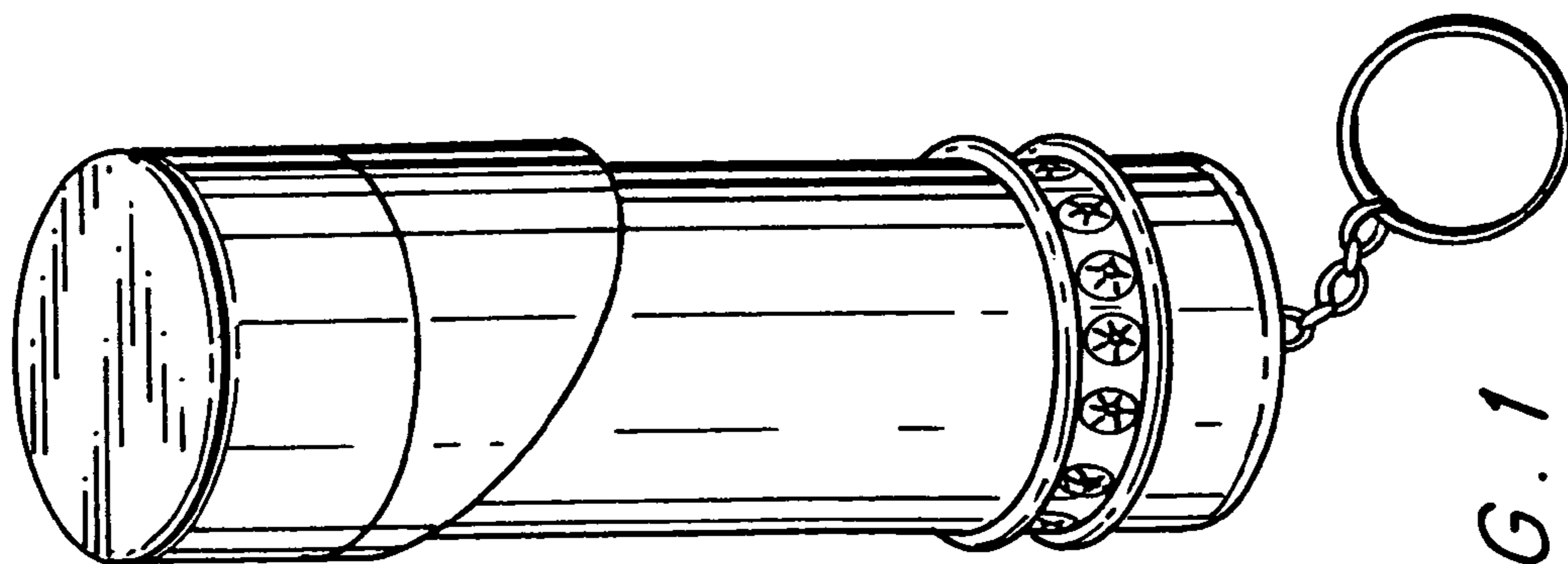


FIG. 1

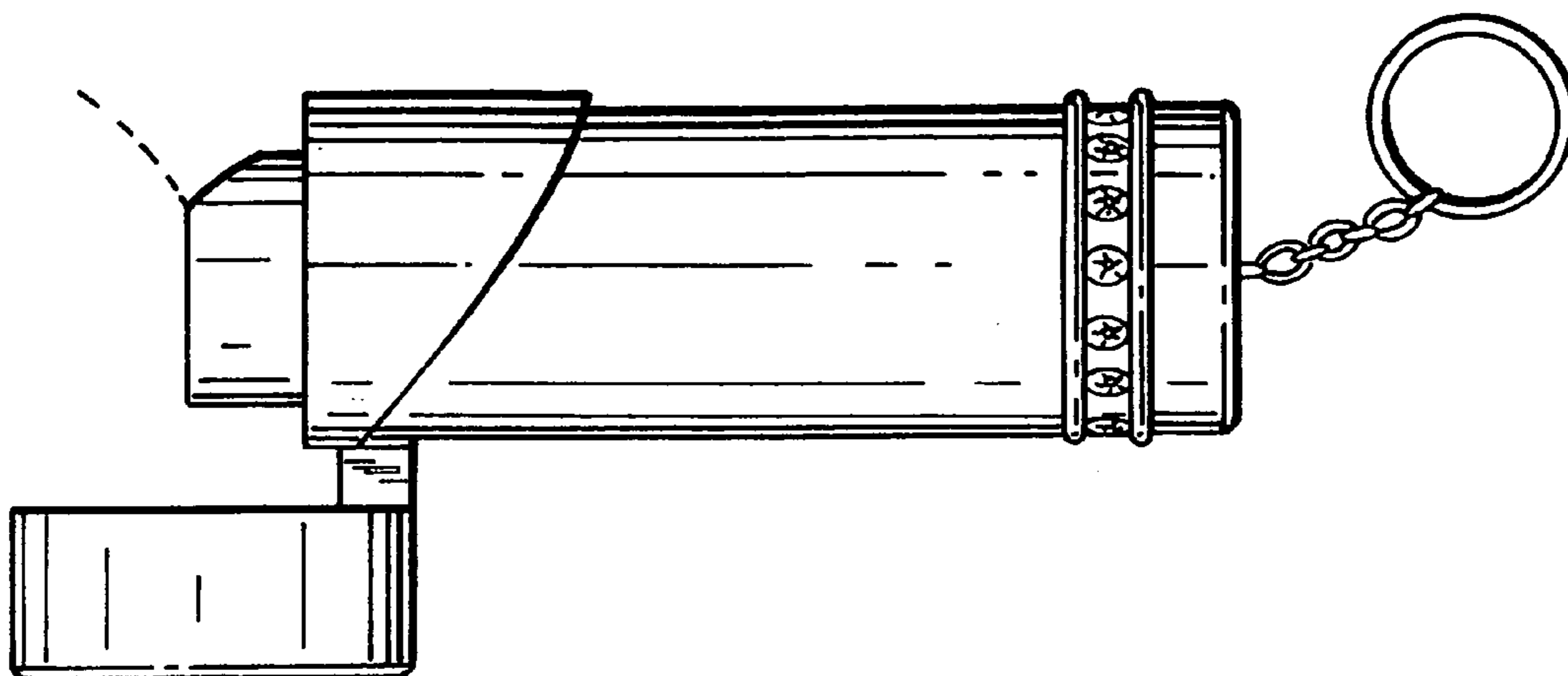


FIG. 3

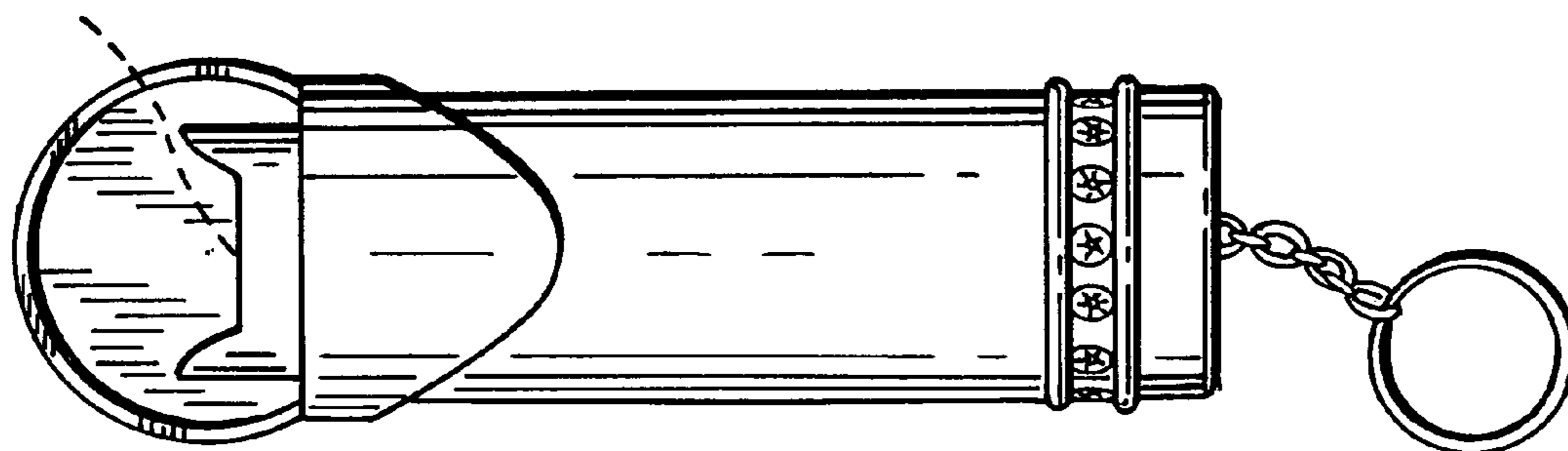


FIG. 4

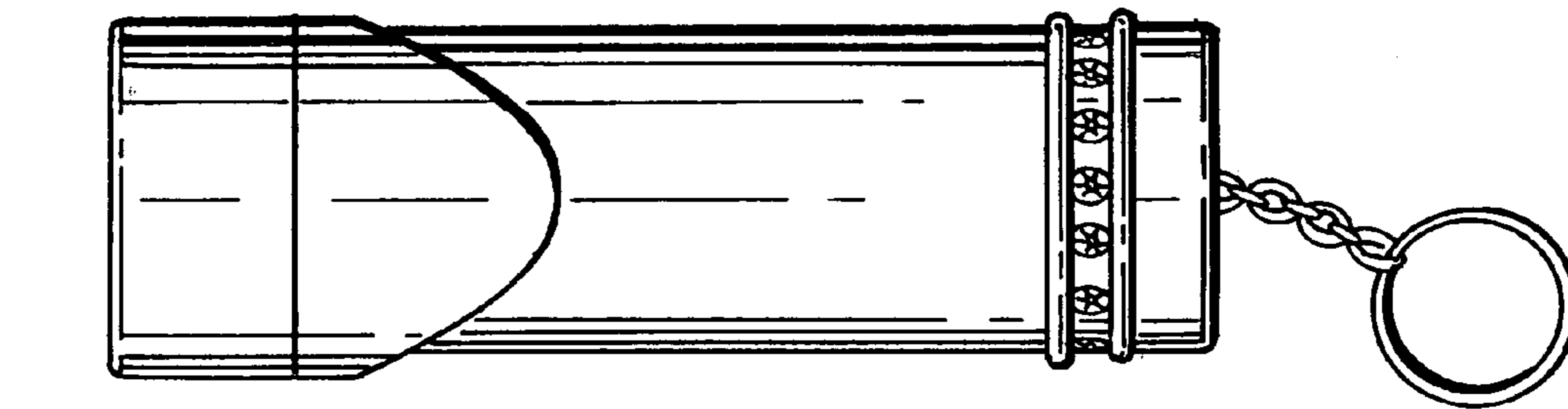


FIG. 5

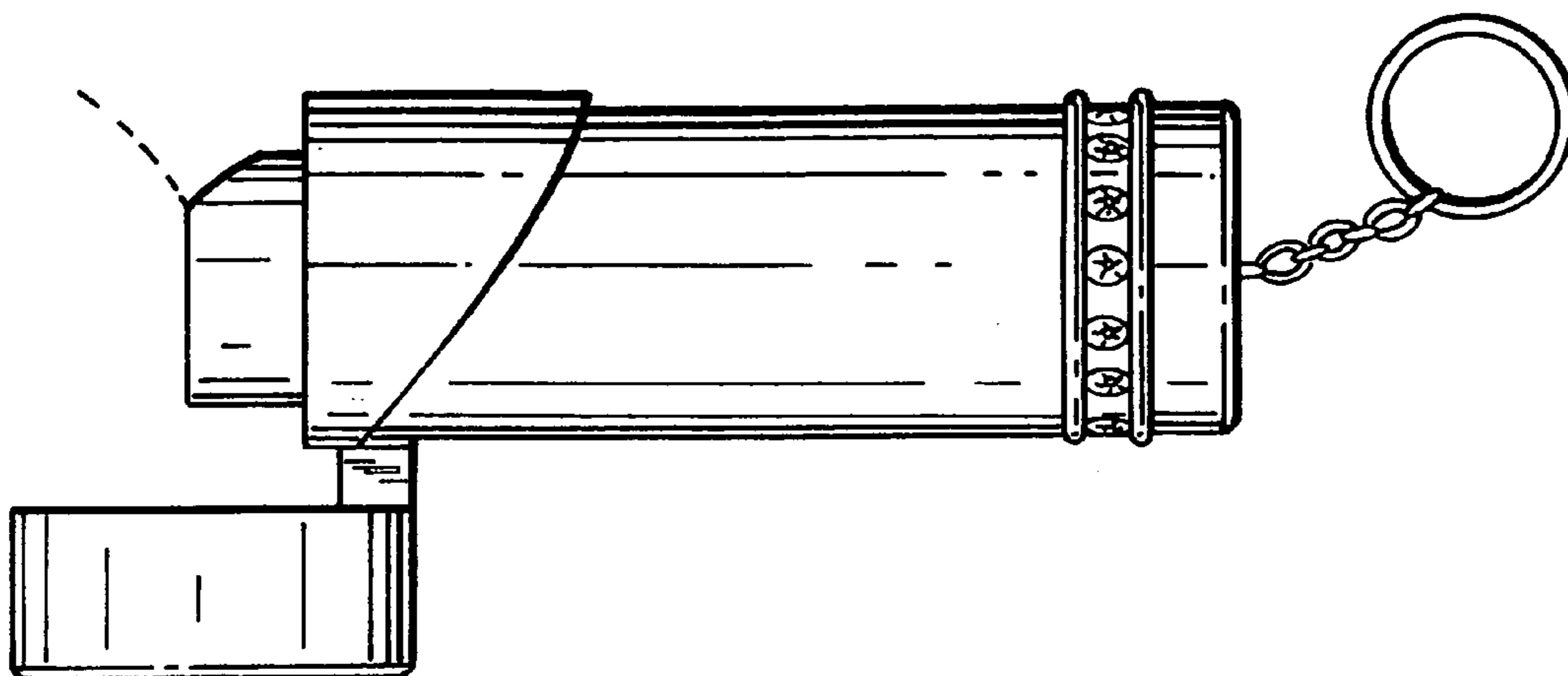


FIG. 6

FIG. 7

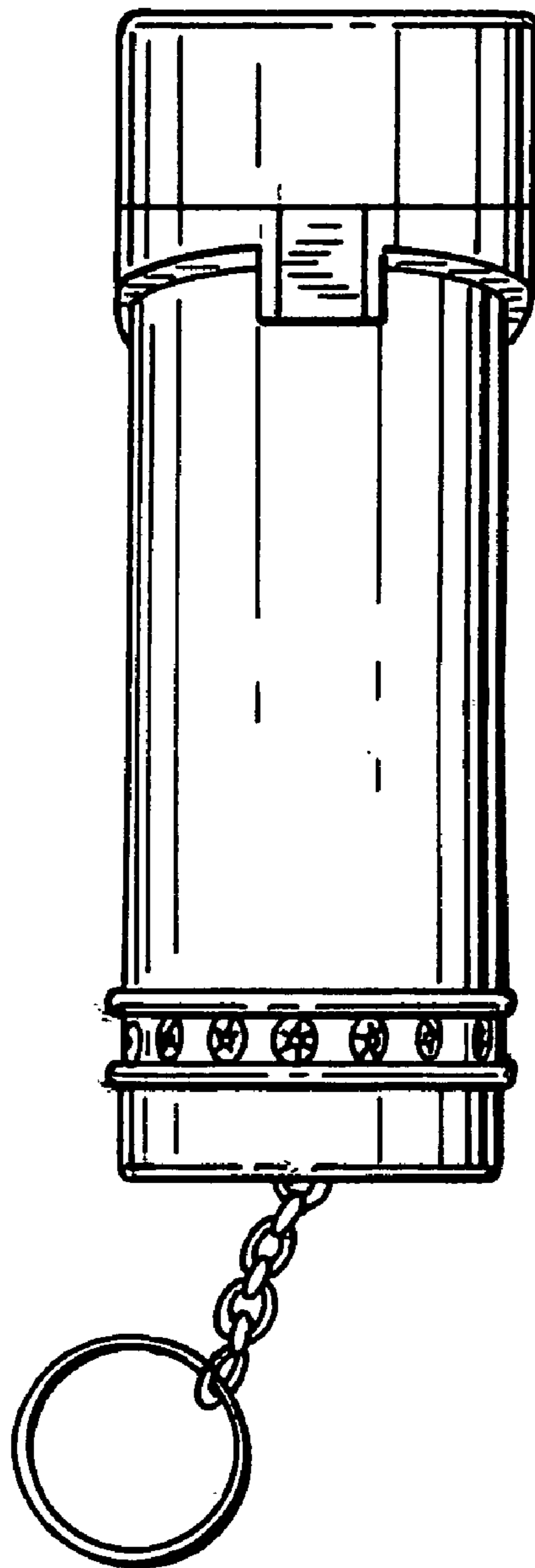


FIG. 8

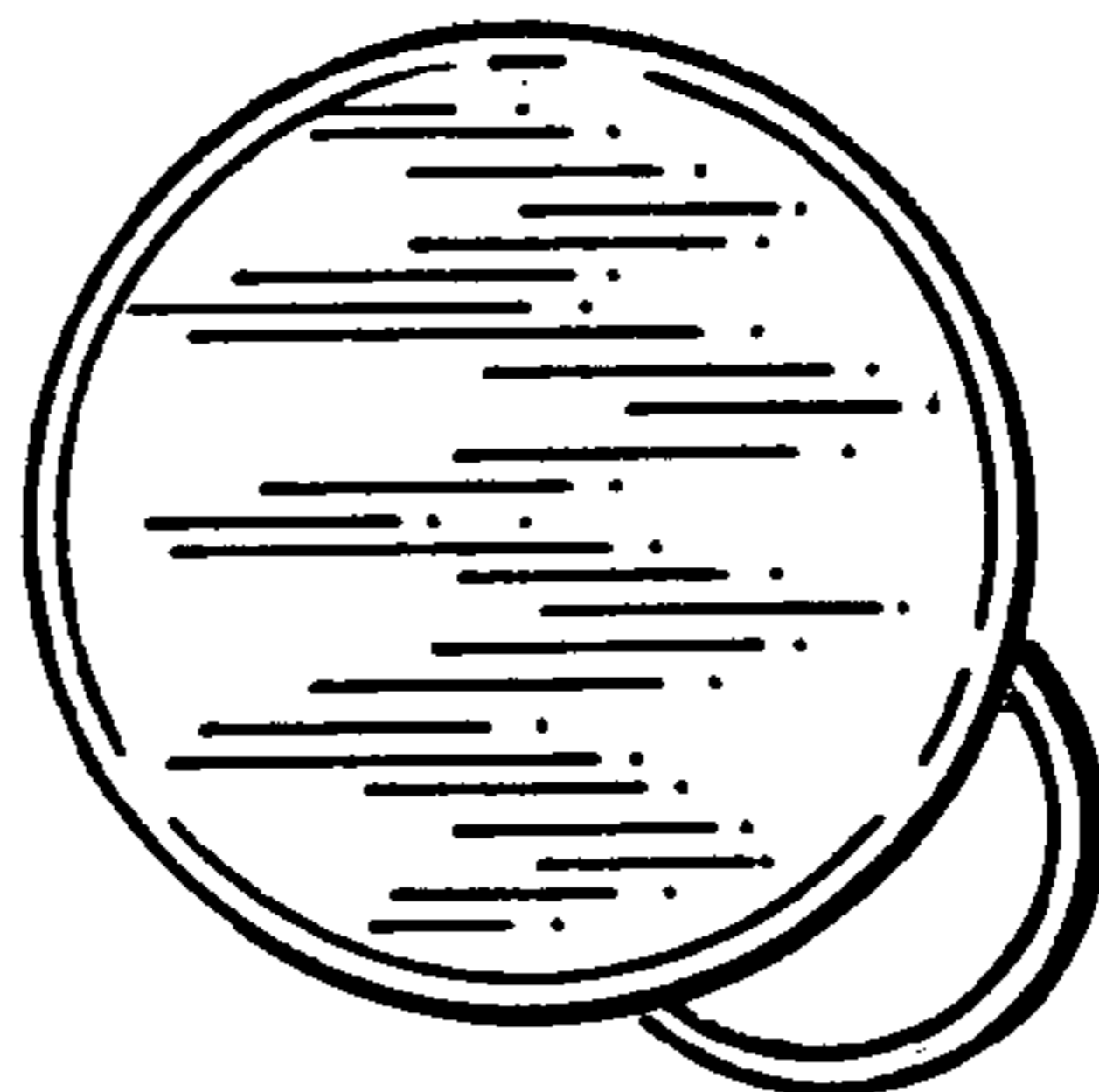


FIG. 9

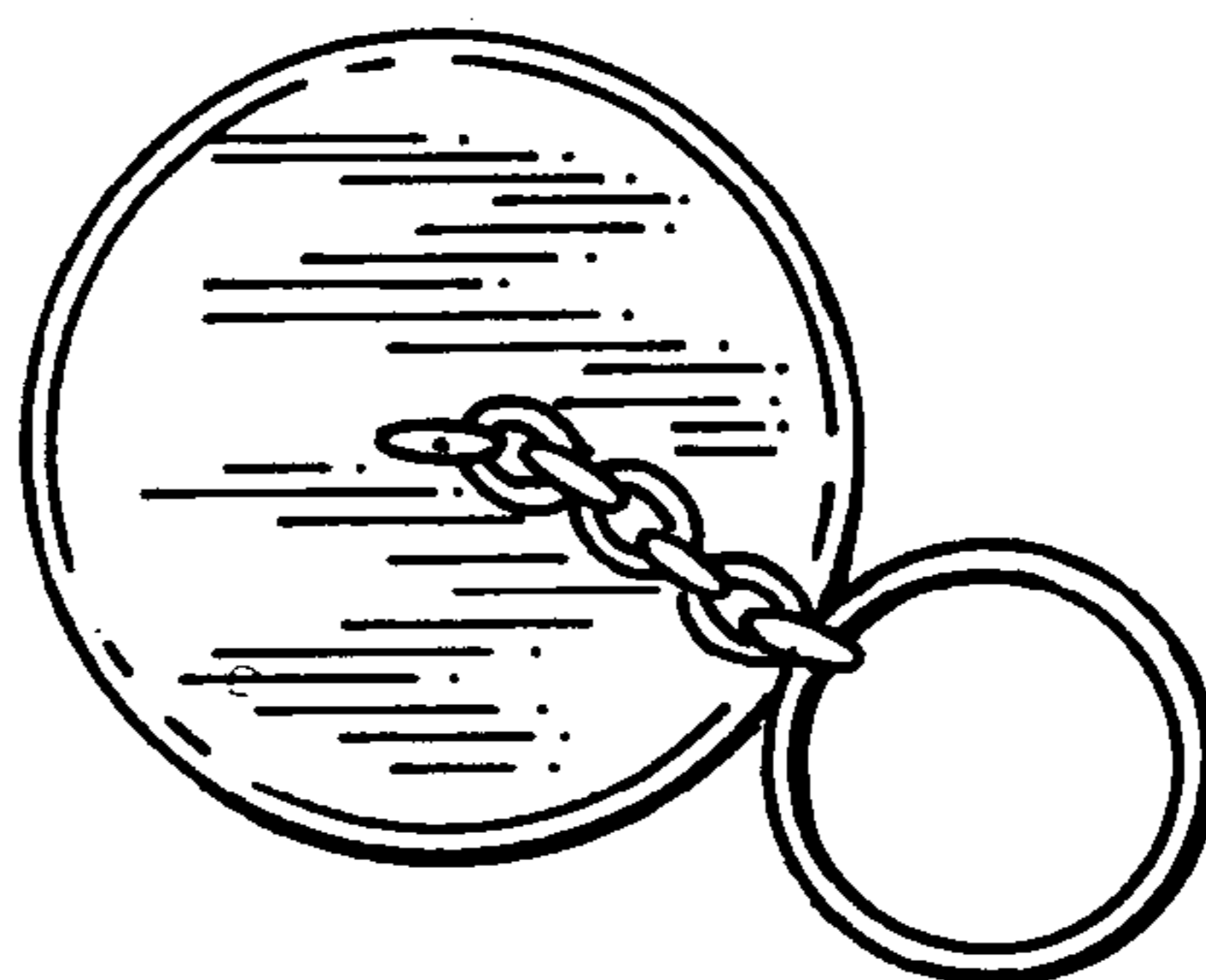


FIG. 10

