



US00D634065S

(12) **United States Design Patent**
Borushek et al.

(10) **Patent No.:** **US D634,065 S**

(45) **Date of Patent:** **** Mar. 8, 2011**

(54) **MOUTHPIECE FOR A SMOKING DEVICE**

(75) Inventors: **Aston Borushek**, Nedlands (AU);
Courtney Potter, Nedlands (AU)

(73) Assignee: **Aston Borushek and Courtney Potter**,
Nedlands (AU)

(**) Term: **14 Years**

(21) Appl. No.: **29/344,855**

(22) Filed: **Oct. 5, 2009**

(51) **LOC (9) Cl.** **27-02**

(52) **U.S. Cl.** **D27/170**

(58) **Field of Classification Search** D27/170-172,
D27/183; 131/29, 61.1, 71, 81, 105, 175,
131/330, 187

See application file for complete search history.

(56) **References Cited**

U.S. PATENT DOCUMENTS

100,850	A *	3/1870	Brinckerhoff	131/187
150,000	A *	4/1874	Dale	131/187
D43,150	S *	10/1912	Mahn	D27/183
D102,705	S *	1/1937	Strauch	D27/170
2,542,612	A *	2/1951	Arneson	131/187
2,956,569	A *	10/1960	Adams	D27/170
D217,841	S *	6/1970	Bulgar et al.	D27/170
D239,947	S *	5/1976	Frost	D27/170

D291,126	S *	7/1987	Gaptjern	D27/125
6,182,669	B1 *	2/2001	van der Elst	131/257
D485,639	S *	1/2004	Stronski	D27/170
D542,968	S *	5/2007	Guan	D27/170
D543,312	S *	5/2007	Guan	D27/170

* cited by examiner

Primary Examiner—Stella M Reid

Assistant Examiner—Keli L Hill

(74) *Attorney, Agent, or Firm*—Pillsbury Winthrop Shaw
Pittman LLP

(57) **CLAIM**

The ornamental design for a mouthpiece for a smoking
device, as shown and described.

DESCRIPTION

FIG. 1 is a side view illustrating the ornamental characteris-
tics of a mouthpiece for a smoking device according to our
present design;

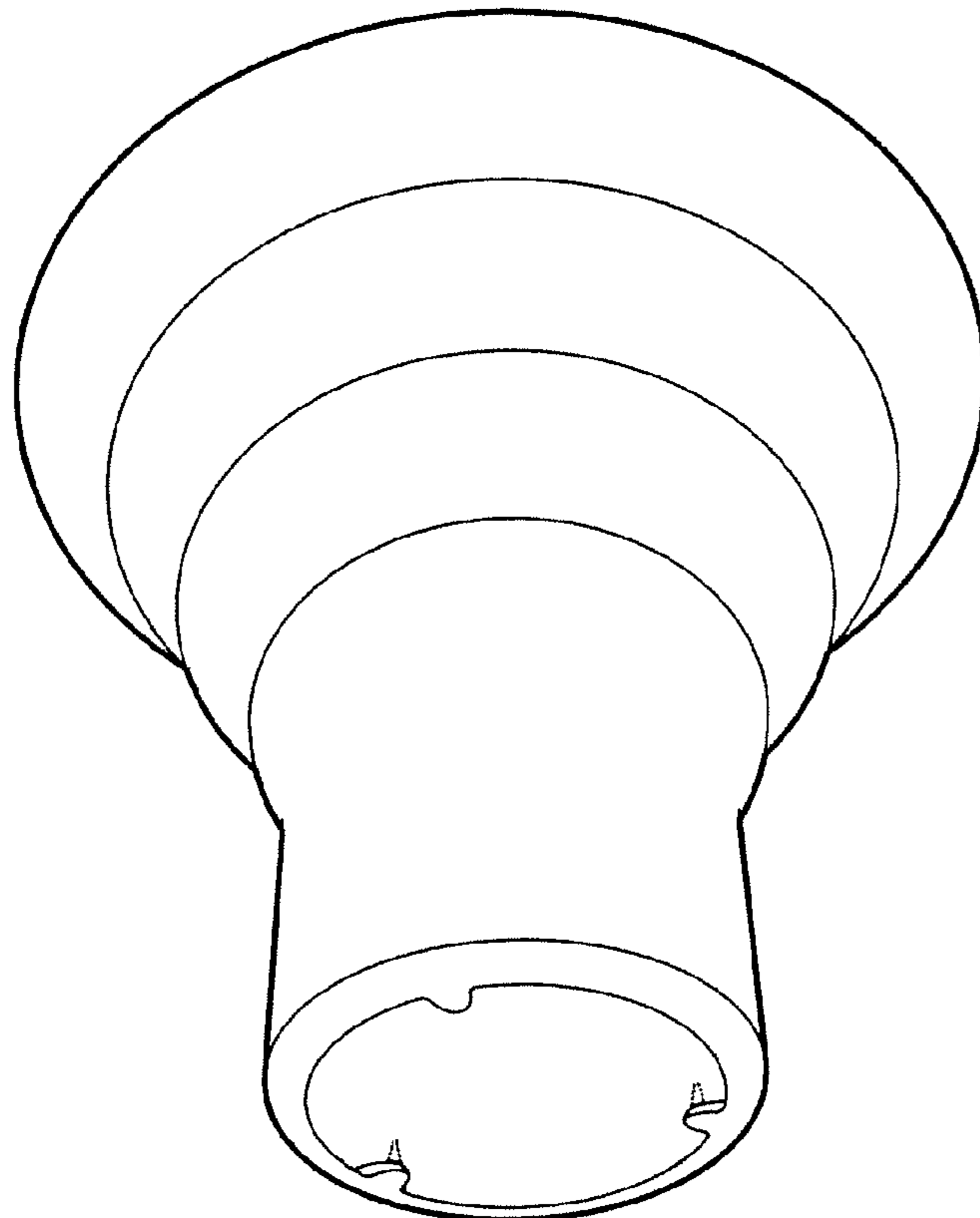
FIG. 2 is a side inner end perspective view thereof;

FIG. 3 is a side outer end perspective view thereof; and,

FIG. 4 is an inner end plan view thereof.

The broken lines shown are included for the purpose of illus-
trating the unclaimed prong portions of the article and form
no part of the claimed design.

1 Claim, 4 Drawing Sheets



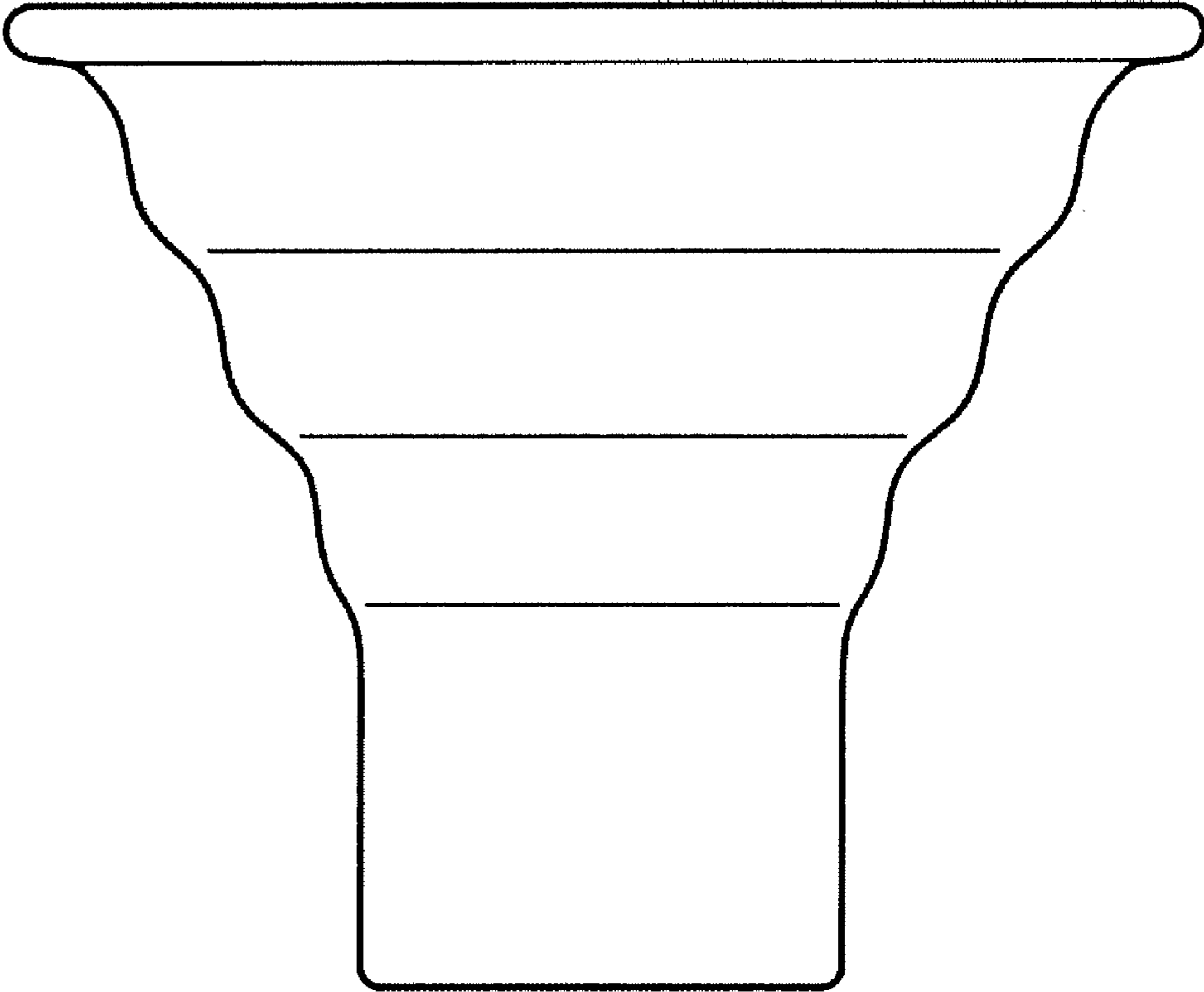


FIG. 1

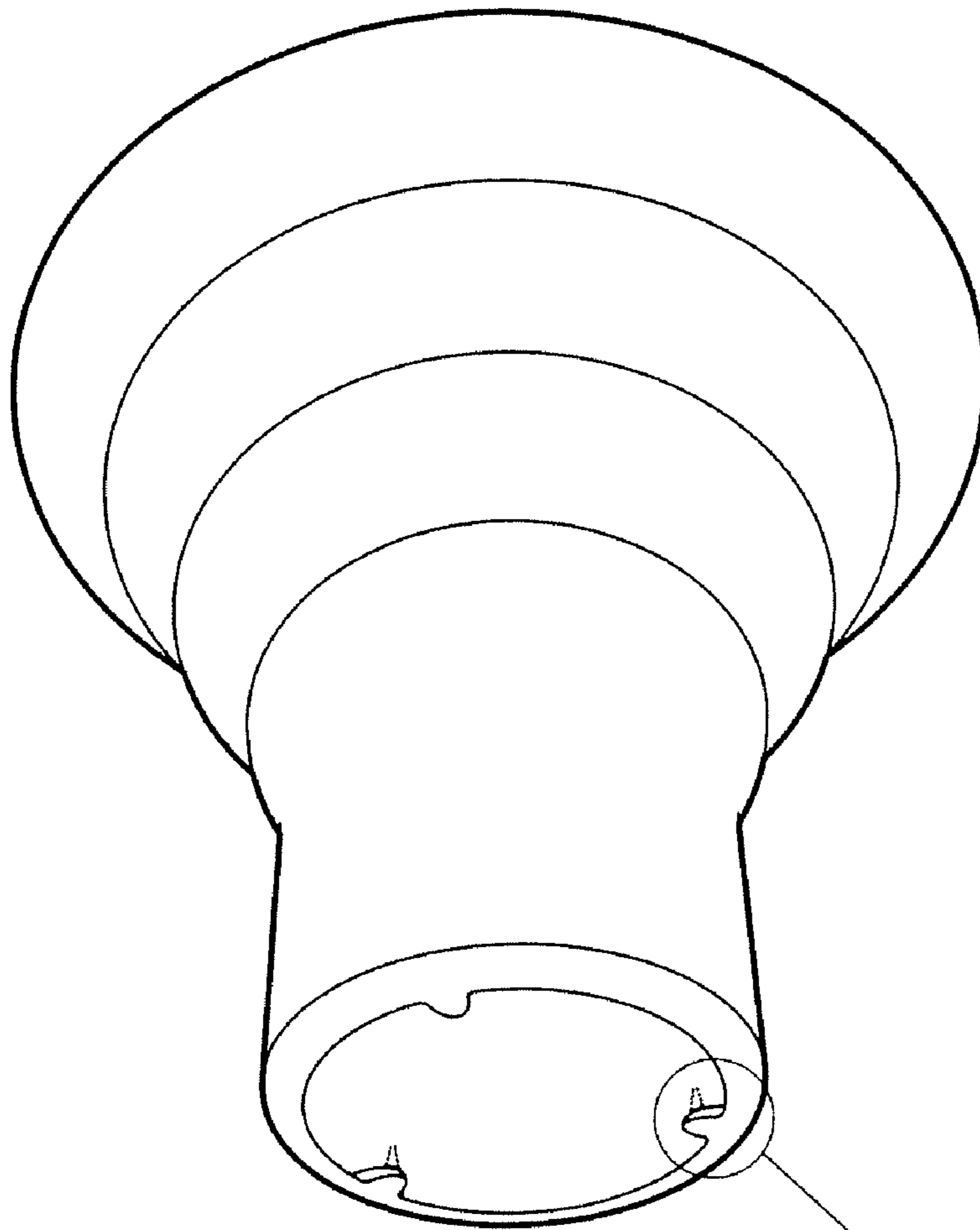


FIG. 2

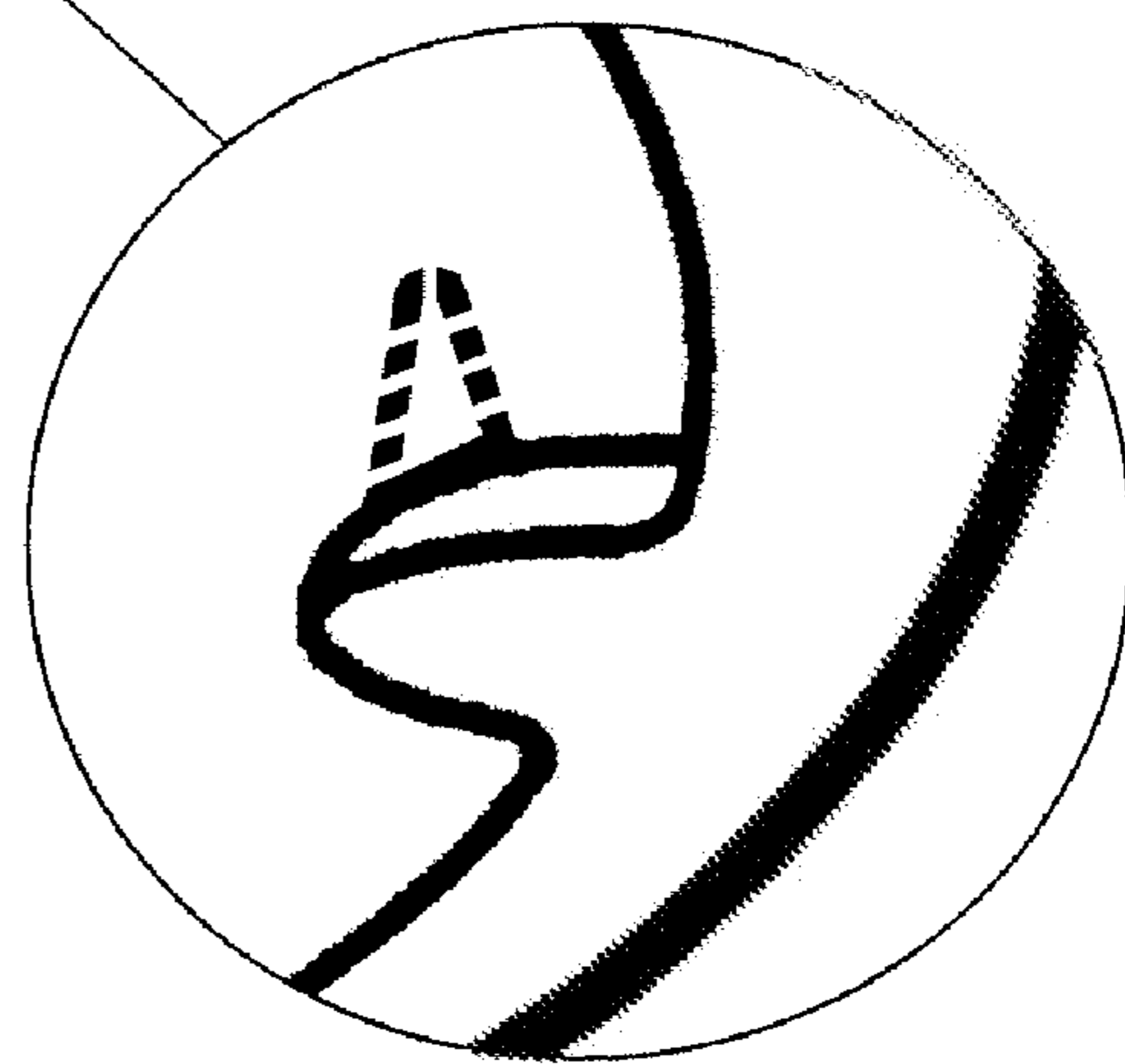


FIG. 2A

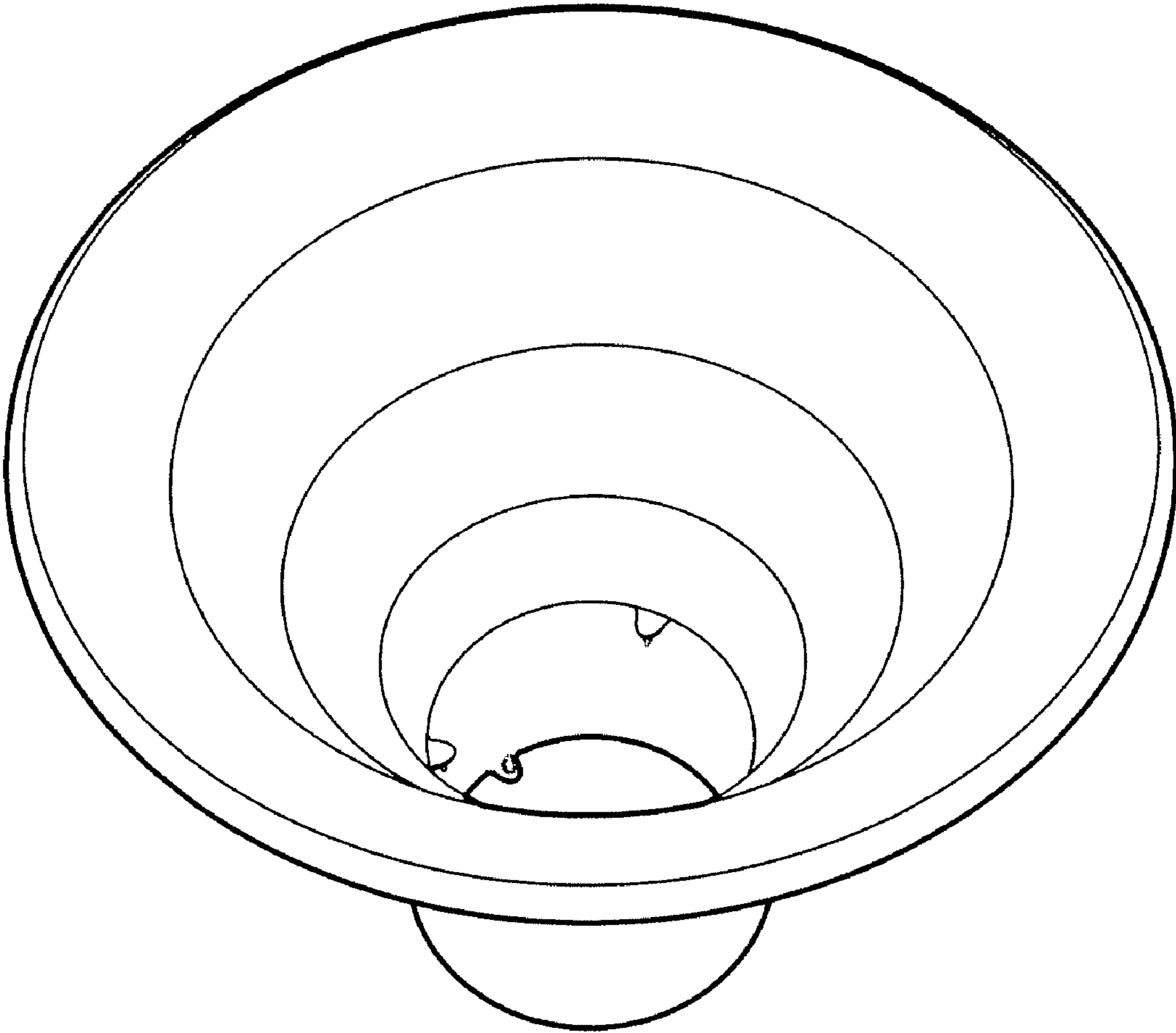


FIG. 3

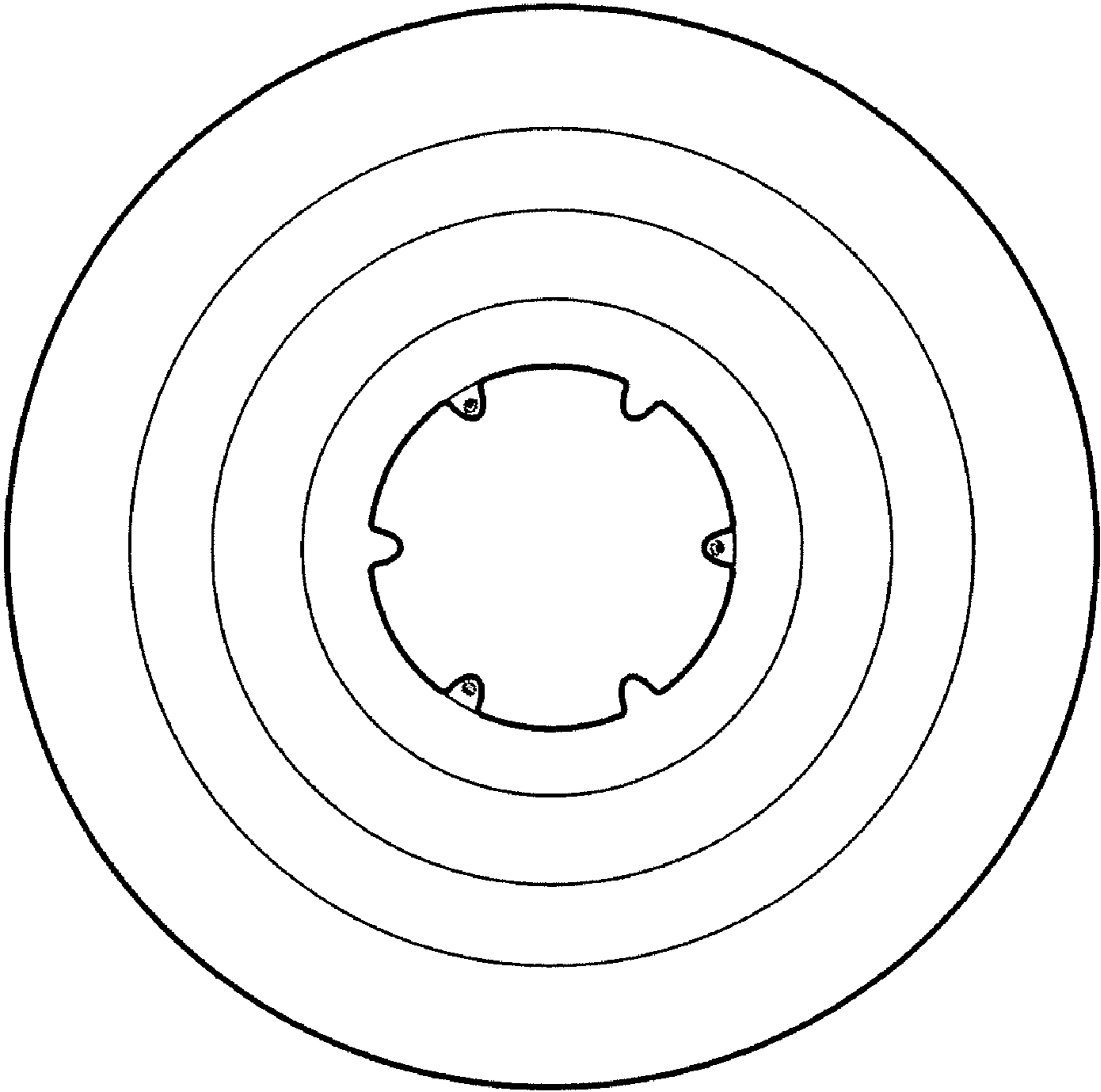


FIG. 4