



US00D634064S

(12) **United States Design Patent**
Sweitzer

(10) **Patent No.:** **US D634,064 S**

(45) **Date of Patent:** **** Mar. 8, 2011**

(54) **HOOKAH**

(76) Inventor: **Daniel Sweitzer**, Boca Raton, FL (US)

(**) Term: **14 Years**

(21) Appl. No.: **29/352,485**

(22) Filed: **Dec. 22, 2009**

(51) **LOC (9) Cl.** **27-02**

(52) **U.S. Cl.** **D27/162; D9/521; D9/524**

(58) **Field of Classification Search** D27/162-169;
131/173, 178-180, 329, 330; 215/381-385;
220/662; D9/500, 516, 521, 524, 530, 537,
D9/539, 542, 544, 545, 549

See application file for complete search history.

(56) **References Cited**

U.S. PATENT DOCUMENTS

D250,485 S *	12/1978	Cuthbertson	D27/163
D261,439 S *	10/1981	Sher	D27/162
D363,985 S *	11/1995	Van Hovel et al.	D24/111
D366,420 S *	1/1996	Gavin	D9/521
D372,869 S *	8/1996	Mahlmann et al.	D9/504
D464,169 S *	10/2002	McAuley	D27/162
D492,603 S *	7/2004	Rashid	D9/521
D517,412 S *	3/2006	Walters	D9/521

D548,398 S *	8/2007	Chaoui	D27/162
D567,660 S *	4/2008	Gautier	D9/521
D610,910 S *	3/2010	Simmons et al.	D9/529
D615,866 S *	5/2010	Lepoitevin	D9/521
D622,099 S *	8/2010	Pike	D7/397

* cited by examiner

Primary Examiner — Stella M Reid

Assistant Examiner — Keli L Hill

(57) **CLAIM**

I claim the ornamental design for a hookah, as shown and described.

DESCRIPTION

FIG. 1 is a perspective view of the hookah showing my new design;

FIG. 2 is a right view thereof;

FIG. 3 is a front view thereof;

FIG. 4 is a top view thereof;

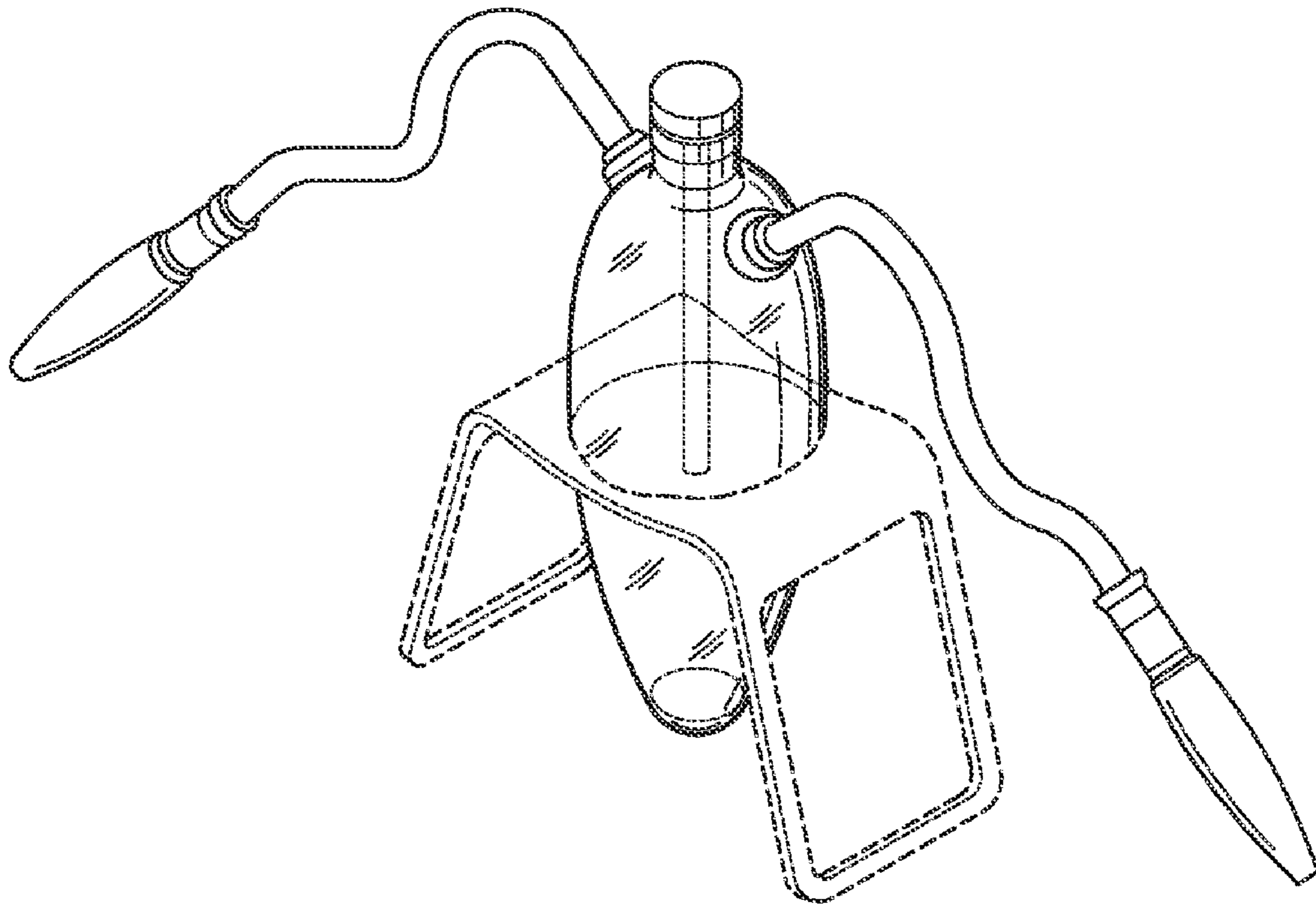
FIG. 5 is a bottom view thereof;

FIG. 6 is a left view thereof; and,

FIG. 7 is a rear view thereof.

The broken lines in the figures depict a body support for the hookah that forms no part of the claimed design.

1 Claim, 3 Drawing Sheets



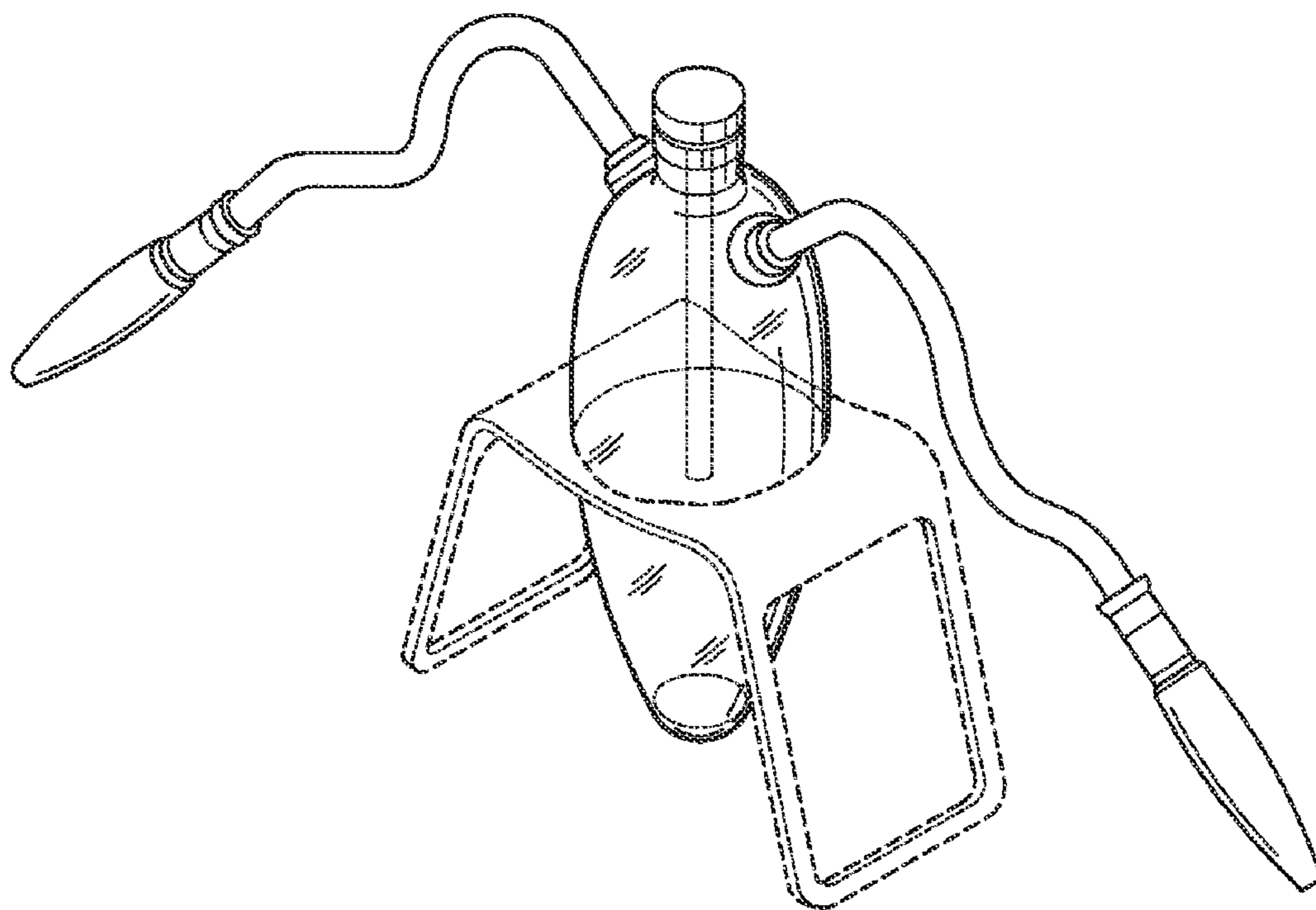


FIG. 1

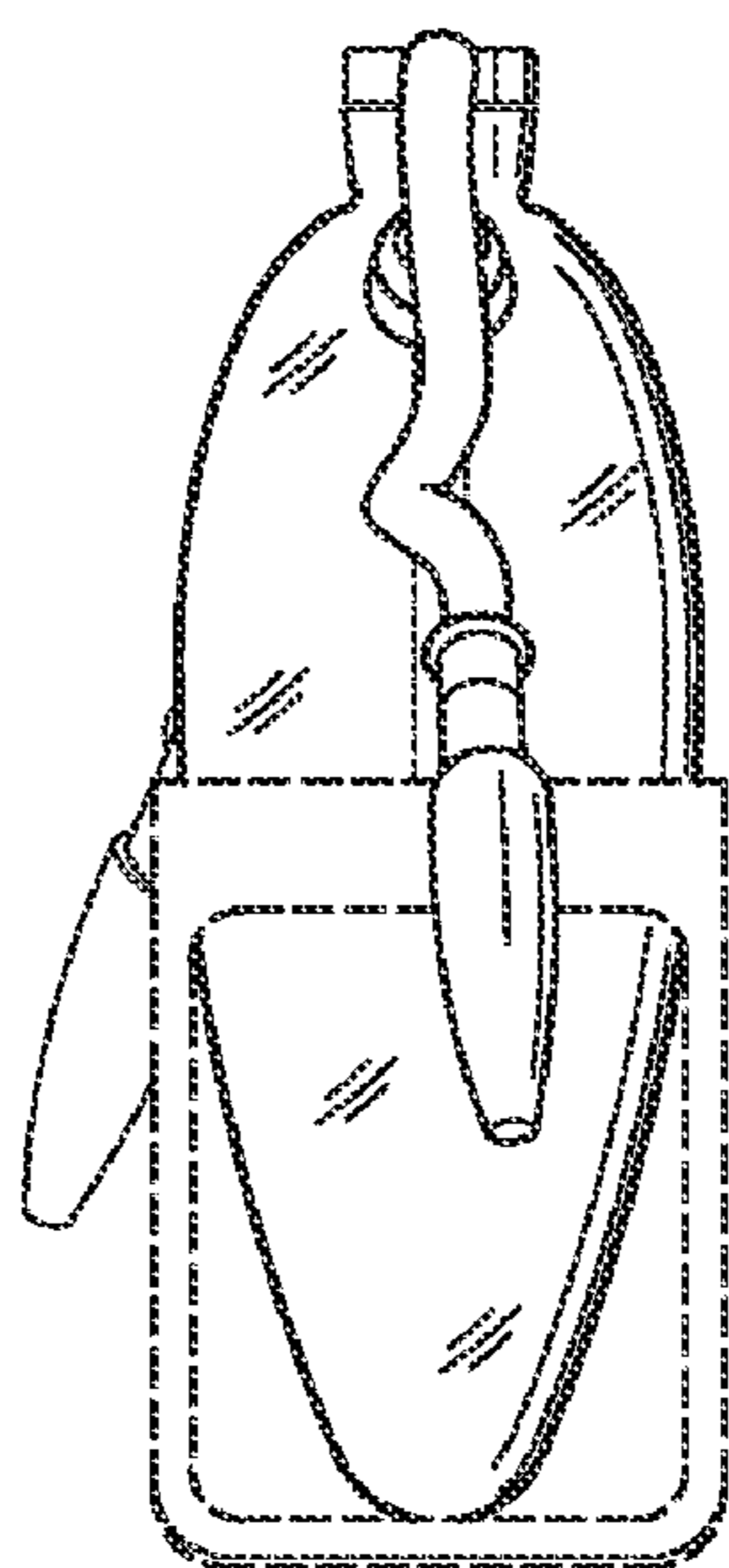


FIG. 2

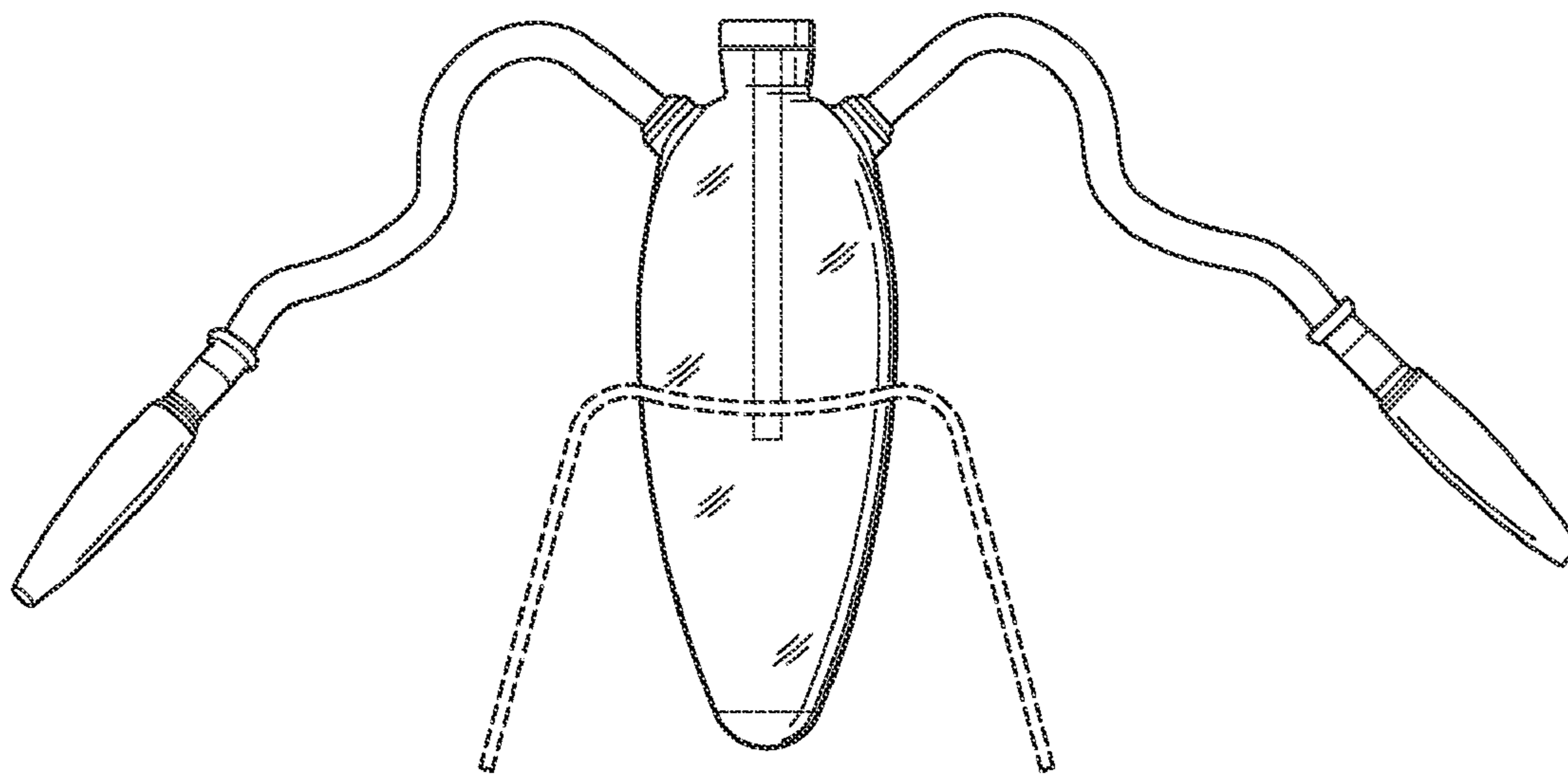


FIG. 3

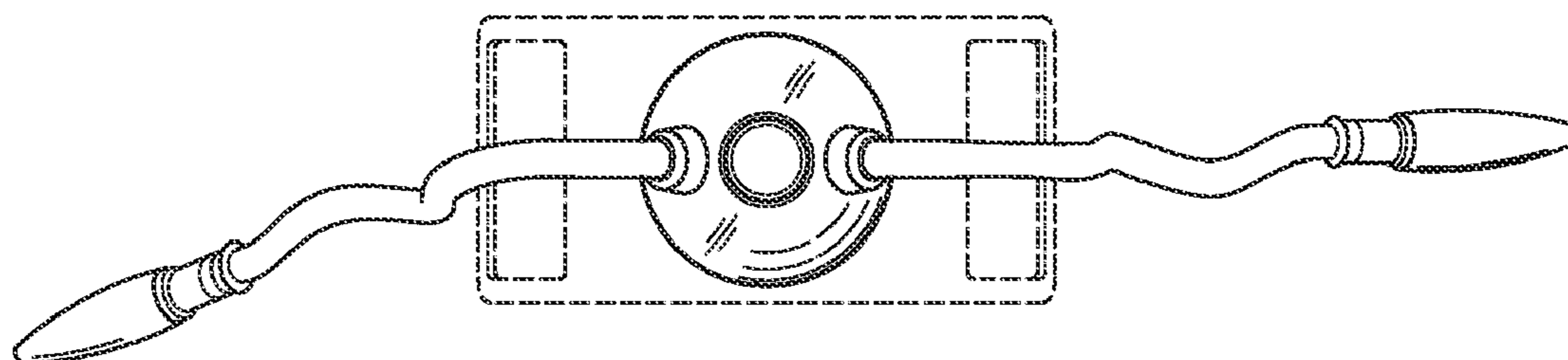


FIG. 4

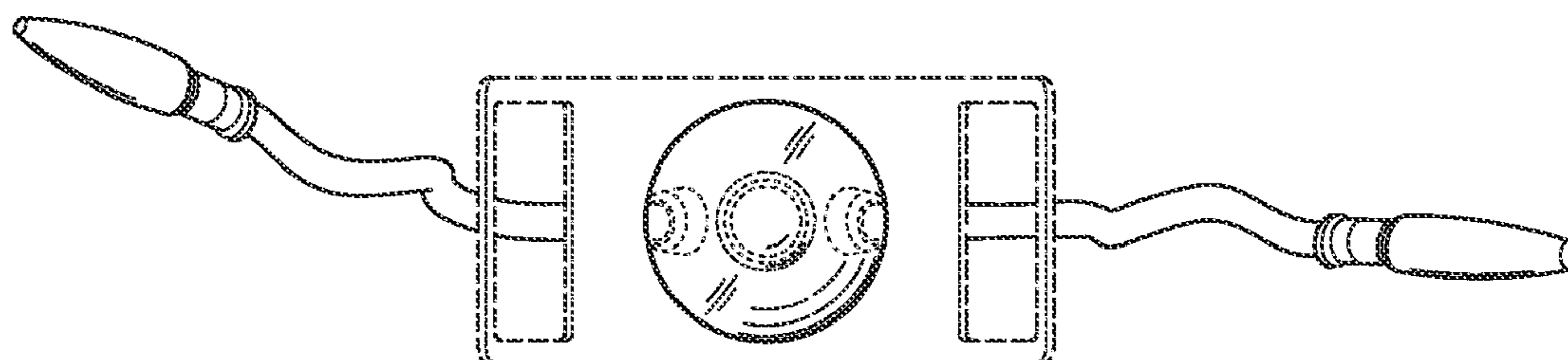


FIG. 5

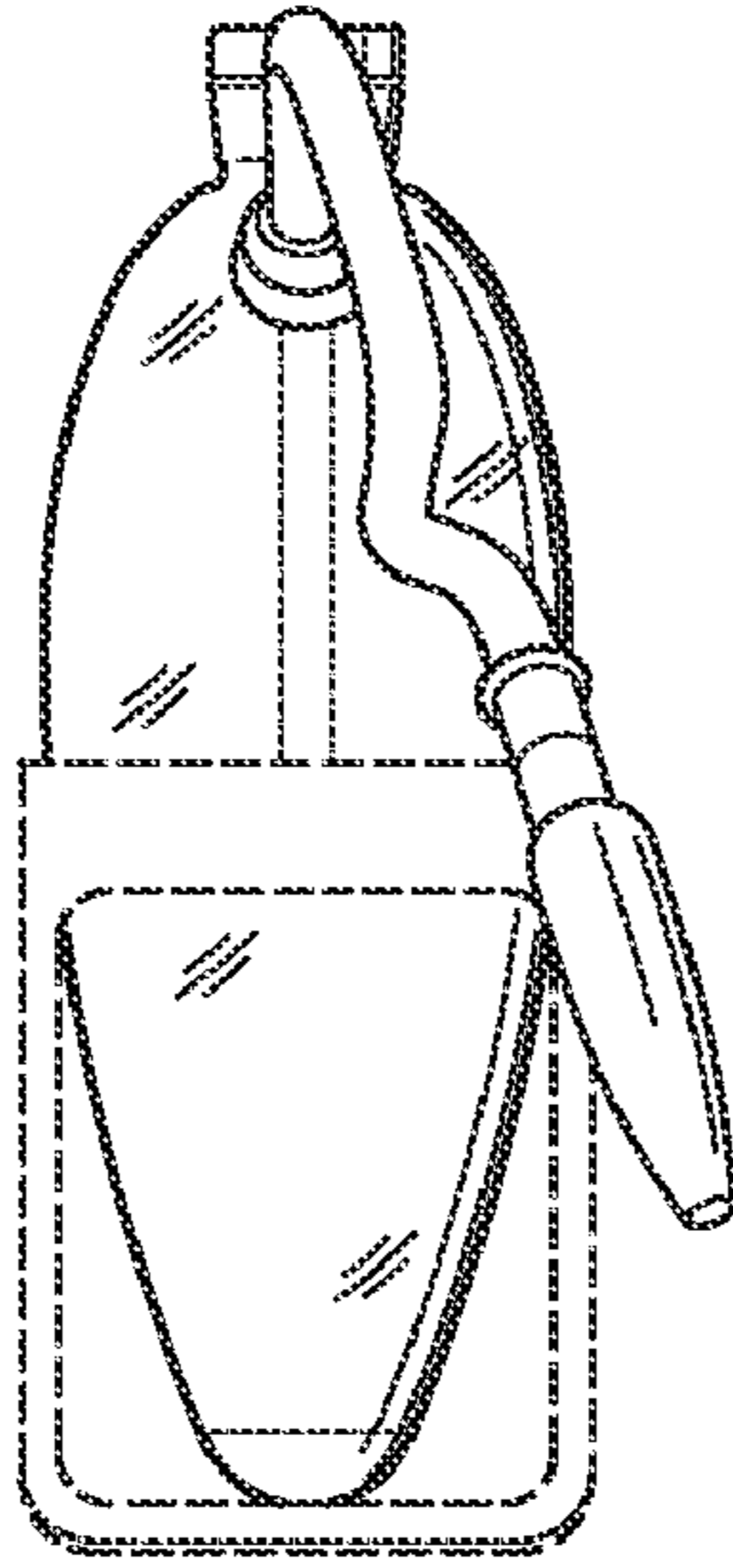


FIG. 6

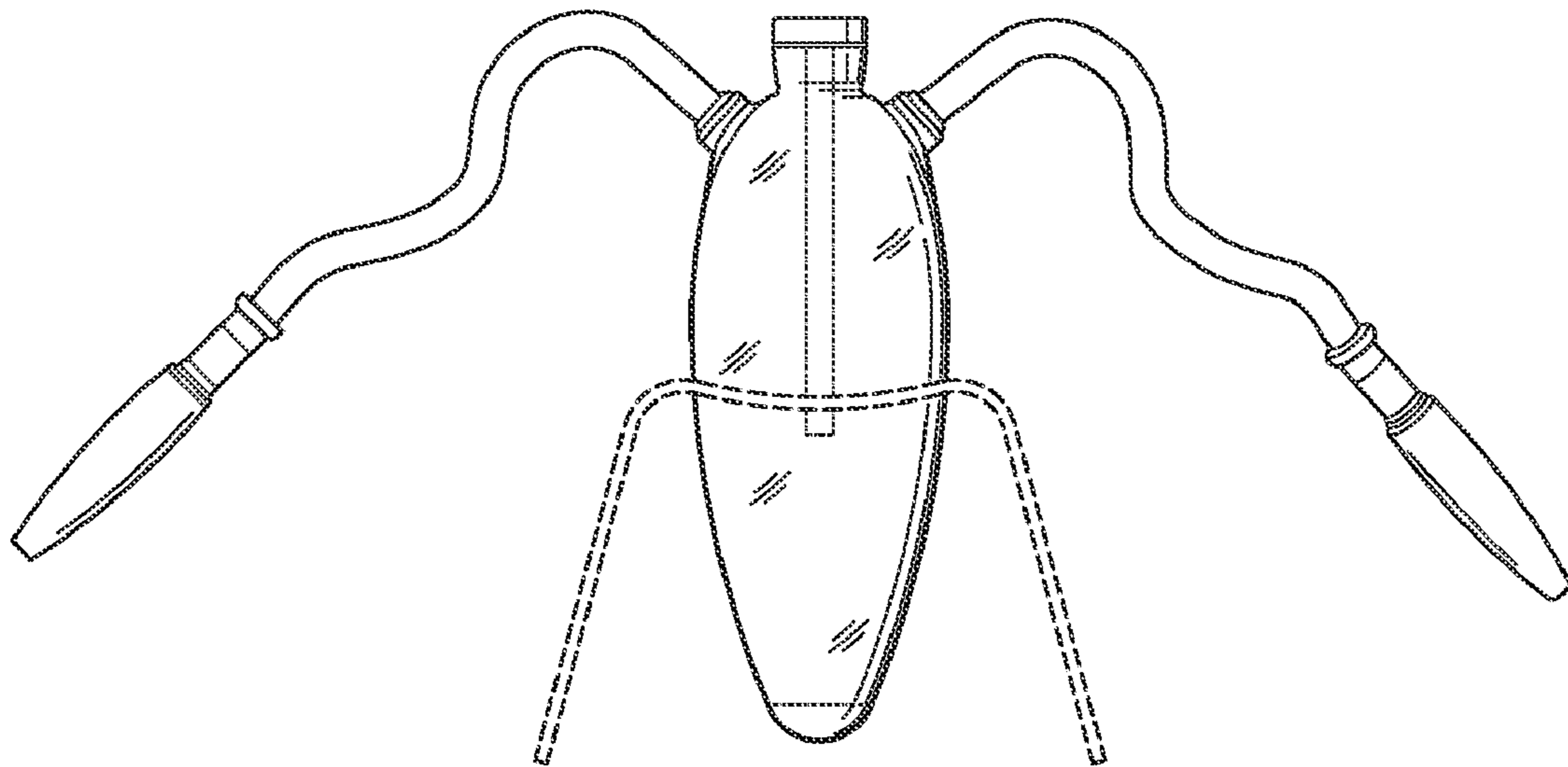


FIG. 7